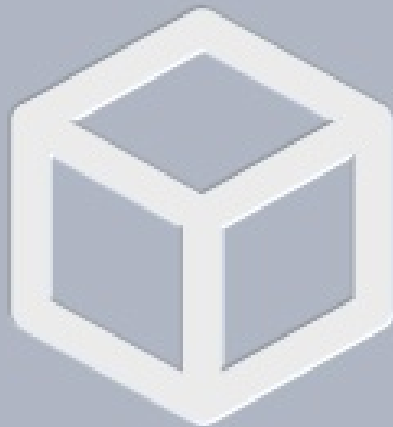


# Club Series - Cable Crossover

CSCCO

## Parts Manual

1/5/2019 13:06:39 PM



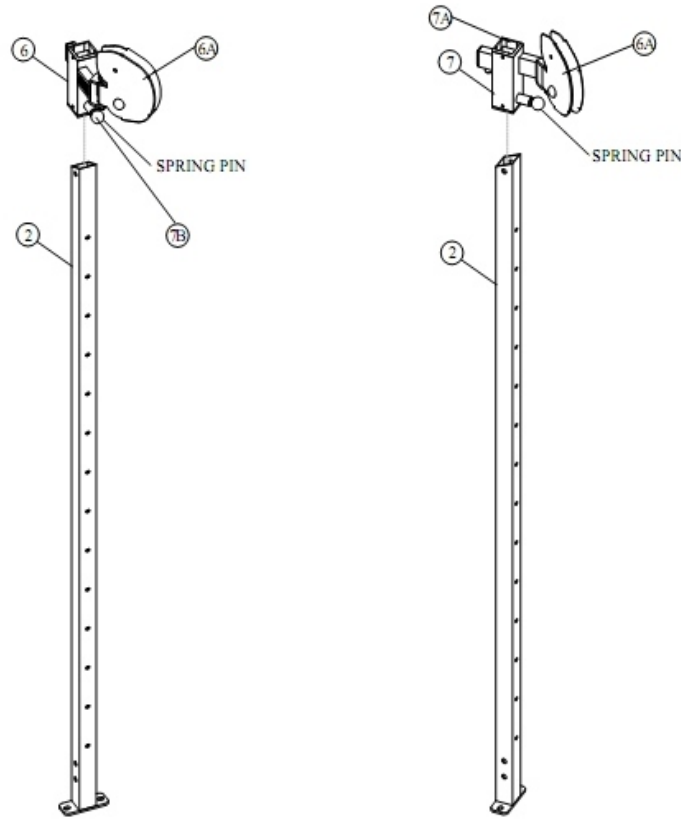
NO IMAGE AVAILABLE

**Table of Contents**

---

<a href="#">Component Assembly 1</a>	3
<a href="#">Component Assembly 10</a>	4
<a href="#">Component Assembly 11</a>	5
<a href="#">Component Assembly 12</a>	6
<a href="#">Component Assembly 13</a>	7
<a href="#">Component Assembly 14</a>	8
<a href="#">Component Assembly 15</a>	9
<a href="#">Component Assembly 16</a>	10
<a href="#">Component Assembly 17</a>	11
<a href="#">Component Assembly 2</a>	12
<a href="#">Component Assembly 3</a>	13
<a href="#">Component Assembly 4</a>	14
<a href="#">Component Assembly 5</a>	15
<a href="#">Component Assembly 6</a>	16
<a href="#">Component Assembly 7</a>	17
<a href="#">Component Assembly 8</a>	18
<a href="#">Component Assembly 9</a>	19
<a href="#">Miscellaneous</a>	20

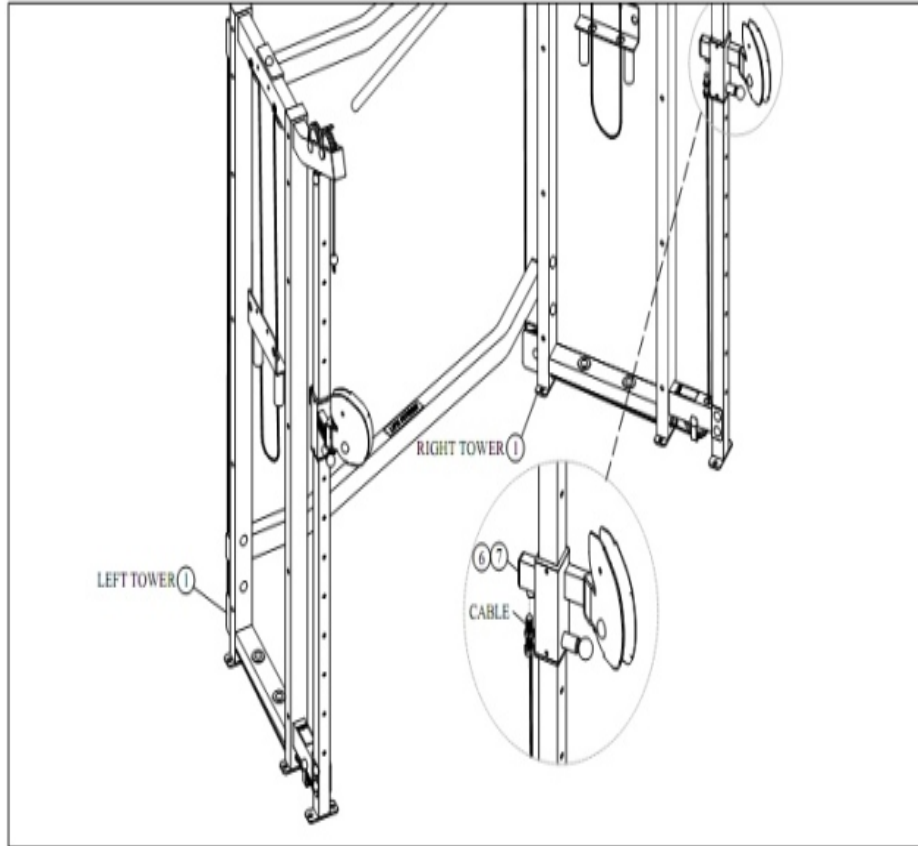
# Component Assembly 1



Ref #	Part Number	Qty	Description
2	7086101	2	Weldment, Front Upright Chrome
6	7104802	1	Assembly, Swivel Pulley Left Black
6A	7103602	2	Painted Assembly, Swivel Pulley Black
7B	7115201	2	Assembly, Spring Pin 1/4 Diameter X 2.75
7	7103802	1	Assembly, Swivel Pulley Right Black
7A	6590901	4	Insert Guide, 2 X 2

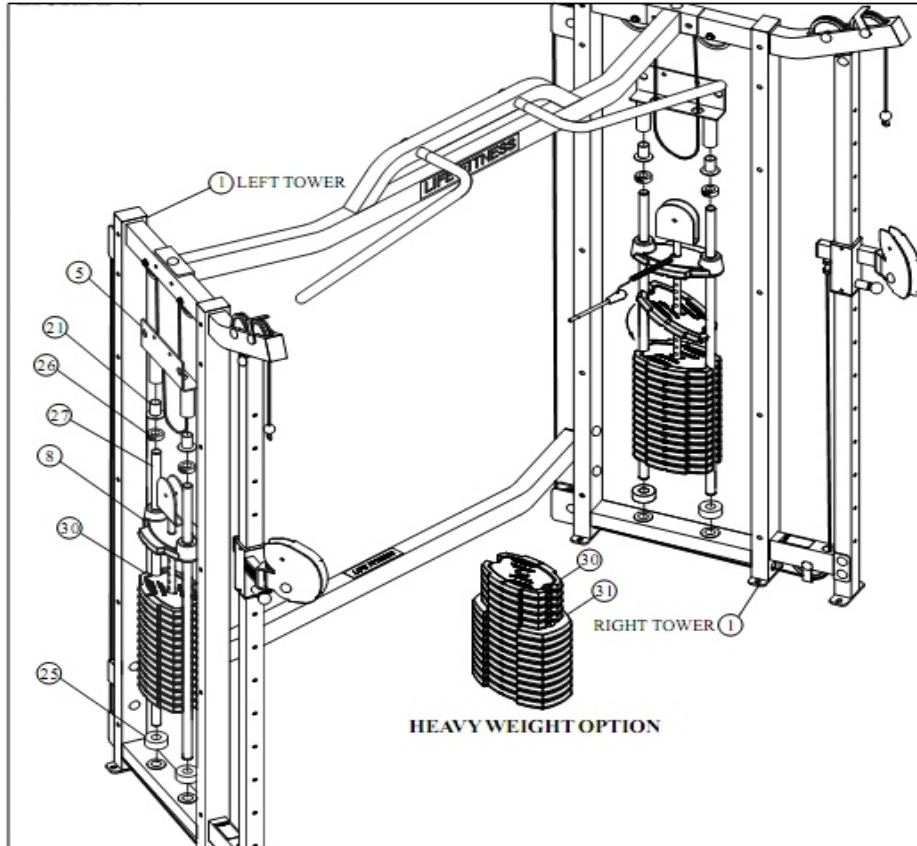
## Component Assembly 10

---



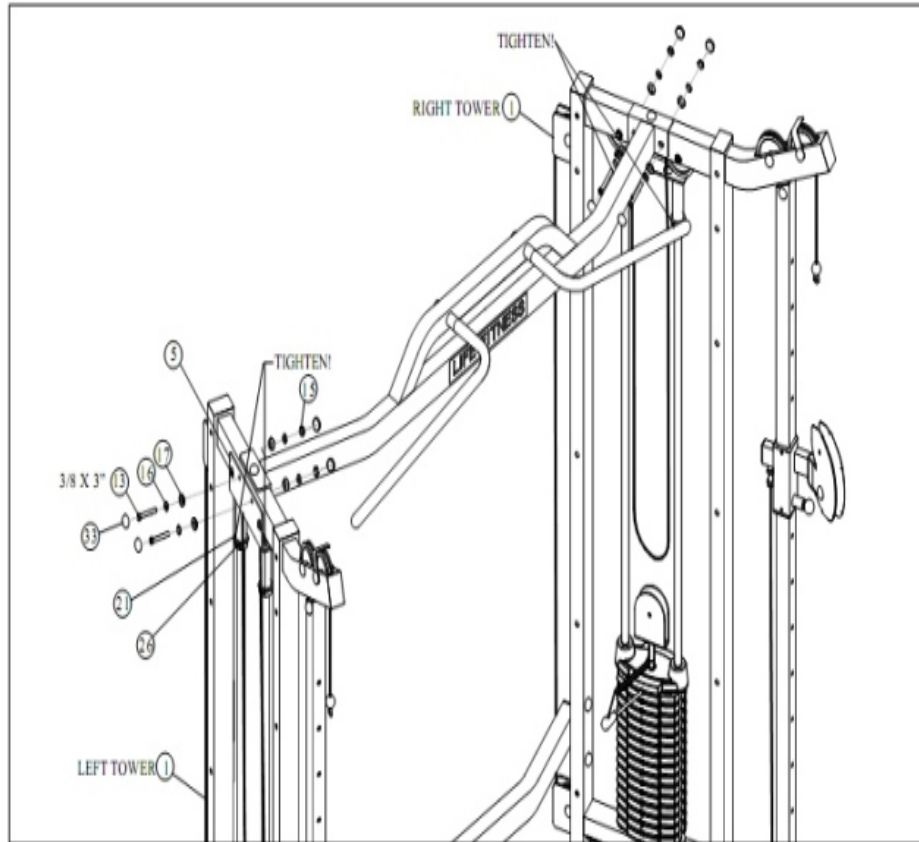
Ref #	Part Number	Qty	Description
1	7083799	2	TOWER
6	7104802	1	Assembly, Swivel Pulley Left Black
7	7103802	1	Assembly, Swivel Pulley Right Black

**Component Assembly 11**



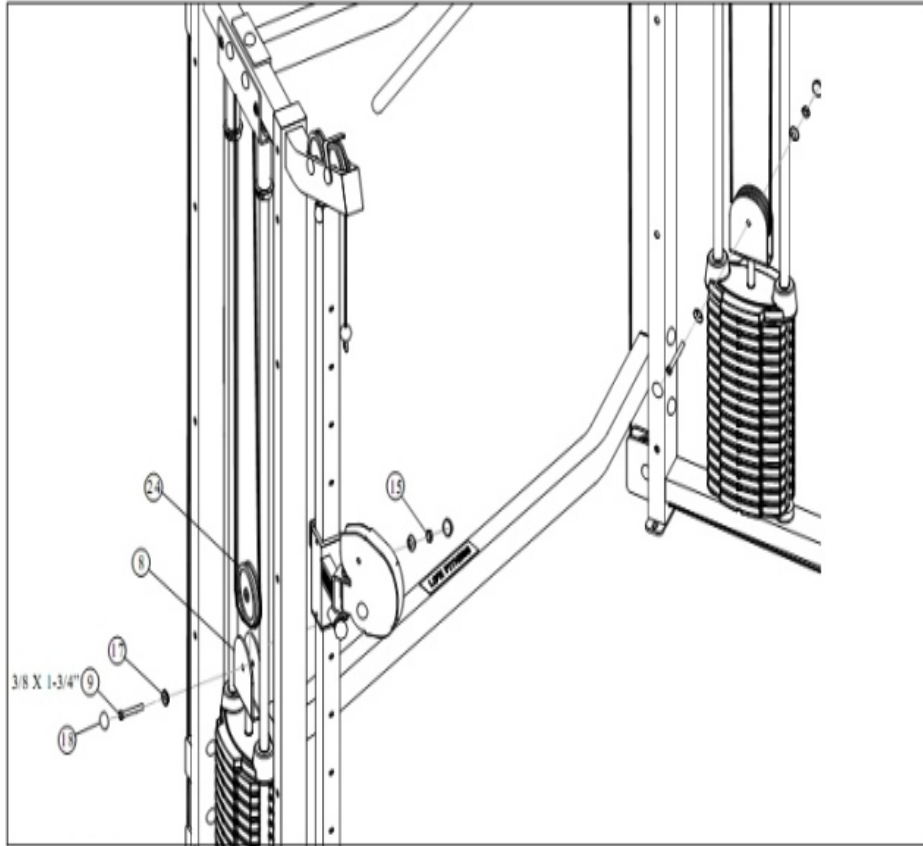
Ref #	Part Number	Qty	Description
1	7083799	2	TOWER
5	7085799	2	GUIDE ROD SUPPORT
8	6925502	2	Painted Assembly, Head Plate 20" Black
21	6714901	4	Bushing Guide Rod
25	3108001	4	Cushion Weight Stack
26	3222001	4	Collar, Shaft 1 ID Black Plastic
27	6926801	4	PLTD ASSY, GUIDE ROD 73" LG
30	CSWGT-4000-101	30	Standard Weight Plate Option
31	6888402	20	ORDER CSWGT-4100-101 FROM FINISHED GOODS

## Component Assembly 12



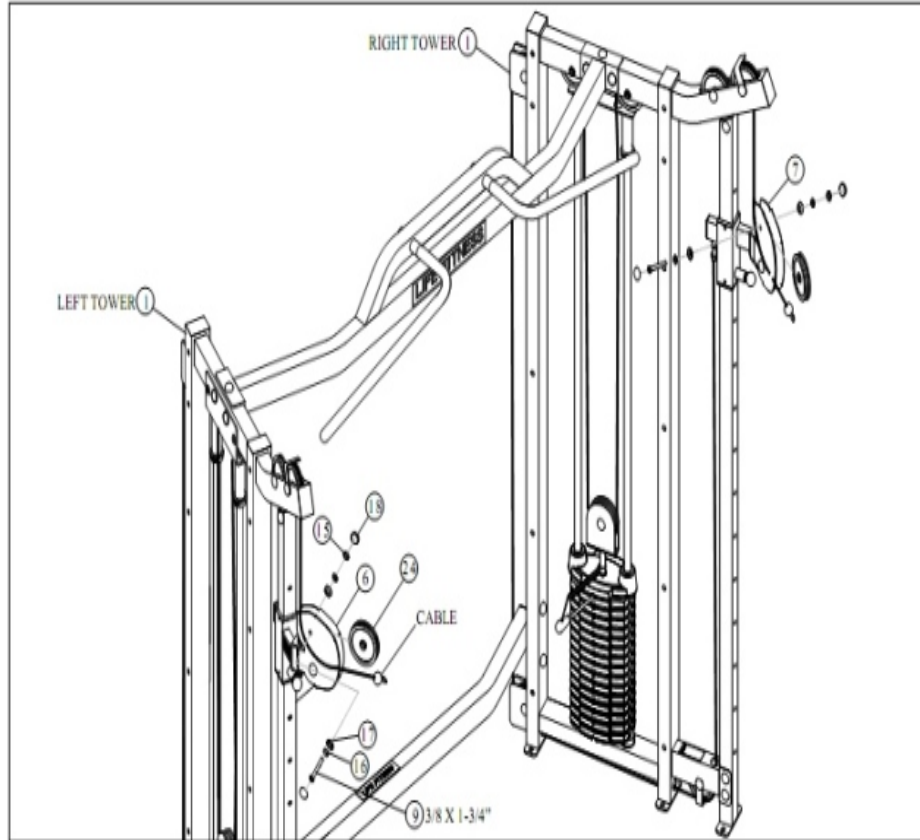
Ref #	Part Number	Qty	Description
1	7083799	2	TOWER
5	7085799	2	GUIDE ROD SUPPORT
13	LEA3102904	4	375 - 16 X 3.00 HEX Head Bolt
15	3102807	28	Hardware: Nut 3/8" ID
16	3102514	44	Hardware: Flat Washer 3/8" ID
17	6866701	52	Washer, Right 3/8 ID
21	6714901	4	Bushing Guide Rod
26	3222001	4	Collar, Shaft 1 ID Black Plastic
33	ACU06-0357PLAT	40	Cap - Right Plate
33	6866602	40	Cap, RH-20 White

## Component Assembly 13



Ref #	Part Number	Qty	Description
8	6925502	2	Painted Assembly, Head Plate 20" Black
9	LEA3102924	4	.375-16 X 1.75 HEX Head Bolt
15	3102807	28	Hardware: Nut 3/8" ID
17	6866701	52	Washer, Right 3/8 ID
18	6866601	12	Cap, RH-20 Black
24	3222801	12	Pulley, 4-1/2 OD X 1/4 ID X 1

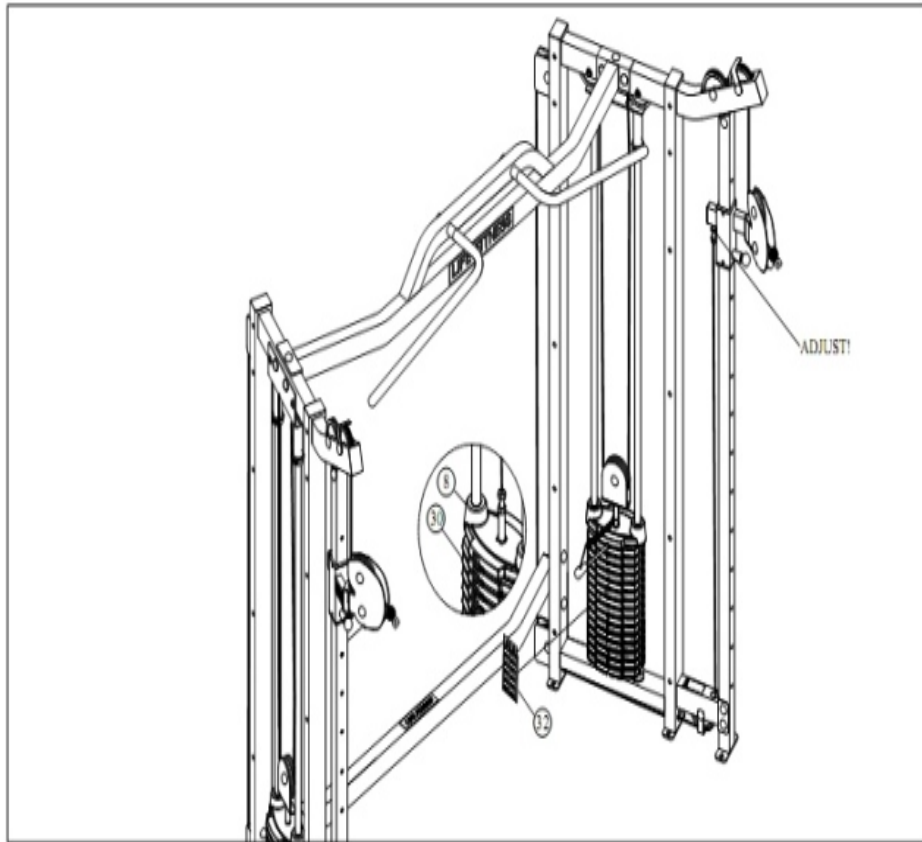
## Component Assembly 14



Ref #	Part Number	Qty	Description
1	7083799	2	TOWER
6	7104802	1	Assembly, Swivel Pulley Left Black
7	7103802	1	Assembly, Swivel Pulley Right Black
9	LEA3102924	4	.375-16 X 1.75 HEX Head Bolt
15	3102807	28	Hardware: Nut 3/8" ID
16	3102514	44	Hardware: Flat Washer 3/8" ID
17	6866701	52	Washer, Right 3/8 ID
18	6866601	12	Cap, RH-20 Black
24	3222801	12	Pulley, 4-1/2 OD X 1/4 ID X 1

## Component Assembly 15

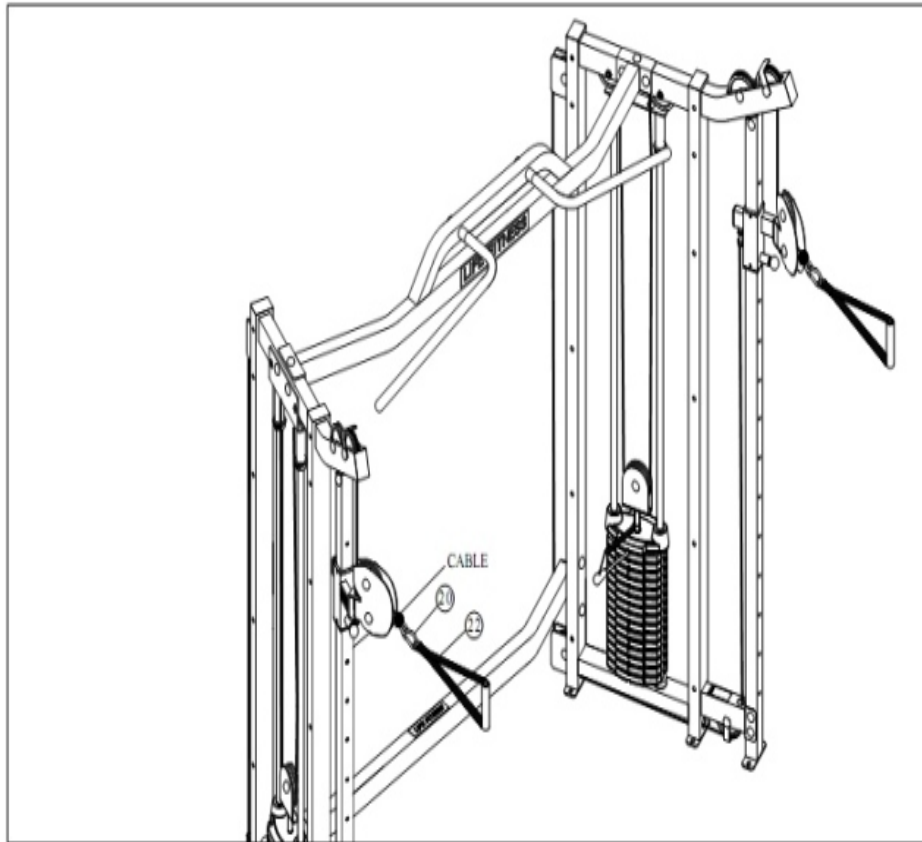
---



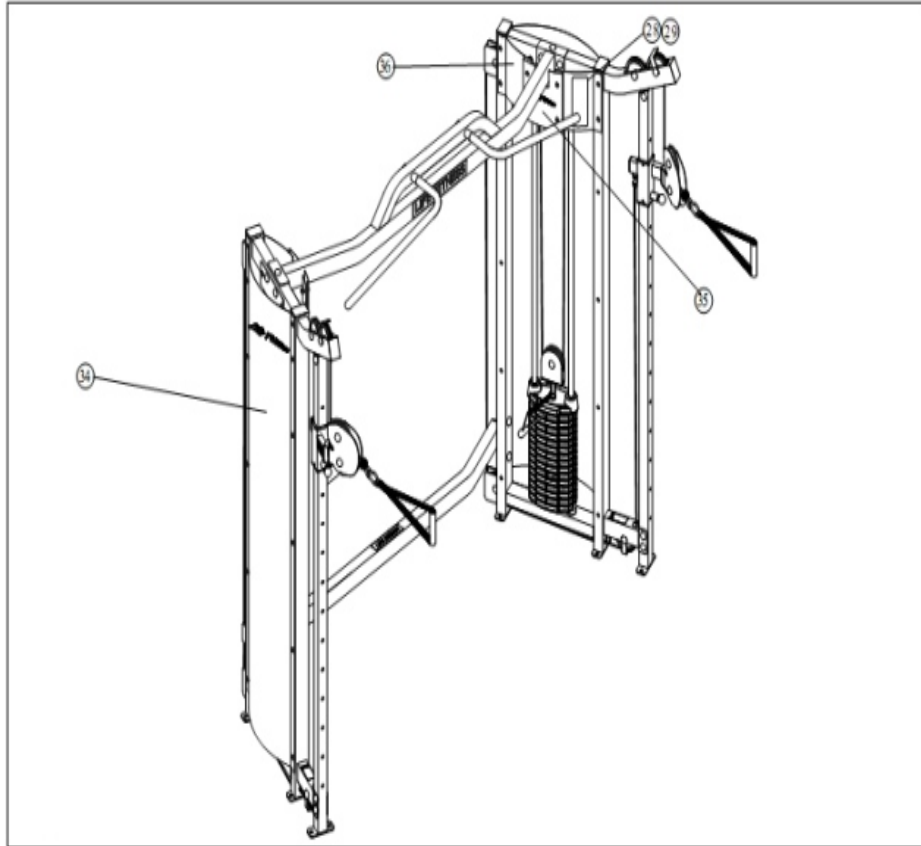
Ref #	Part Number	Qty	Description
8	6925502	2	Painted Assembly, Head Plate 20" Black
30	CSWGT-4000-101	30	Standard Weight Plate Option
32	6971601	2	Label, Stack Standard 15

## Component Assembly 16

---

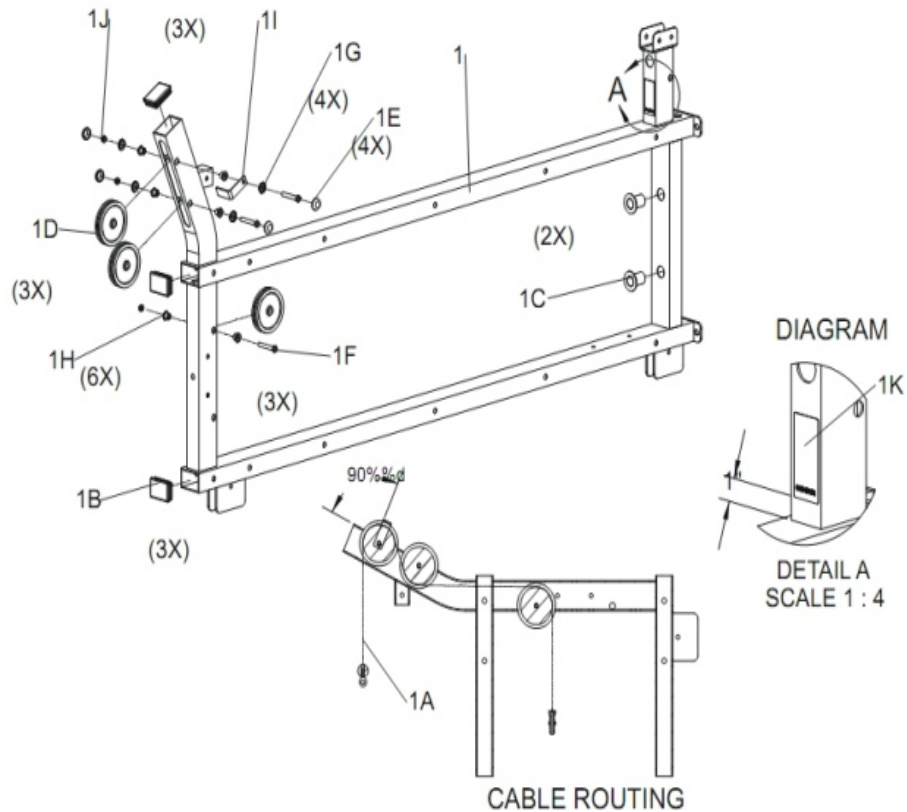


Ref #	Part Number	Qty	Description
20	3103801	2	Link, Snap 5/16 Diameter
22	7016901	2	HANDLE, SEWN 5-1/2 X 7-1/2

**Component Assembly 17**

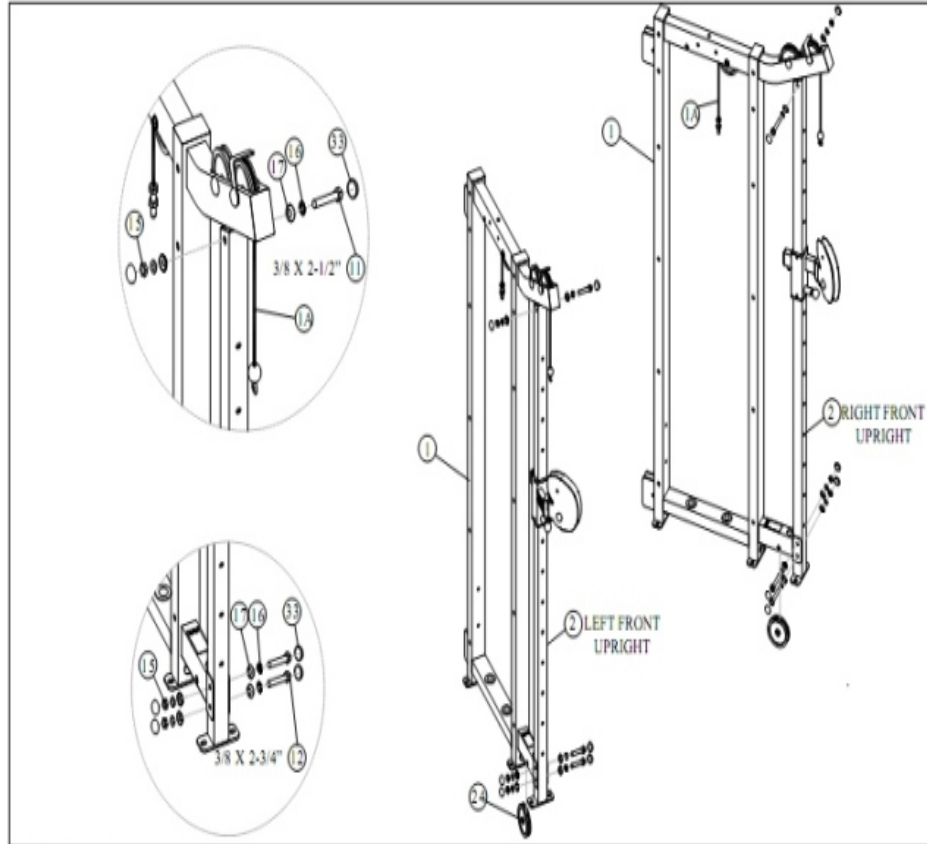
Ref #	Part Number	Qty	Description
28	7115501	2	NLA: LABEL, PLACARD CSCCO
29	7115601	2	NLA: LABEL, PLACARD LNG ADNDM CSCCO
34	6925102	2	NLA: EOL PTD ASSY, REAR SHRD 78 (FULL)
35	6921207	2	NLA: SHROUD, FRONT 10" PLATINUM
36	6862102	4	NLA: SHROUD, SIDE 10" BLK

## Component Assembly 2



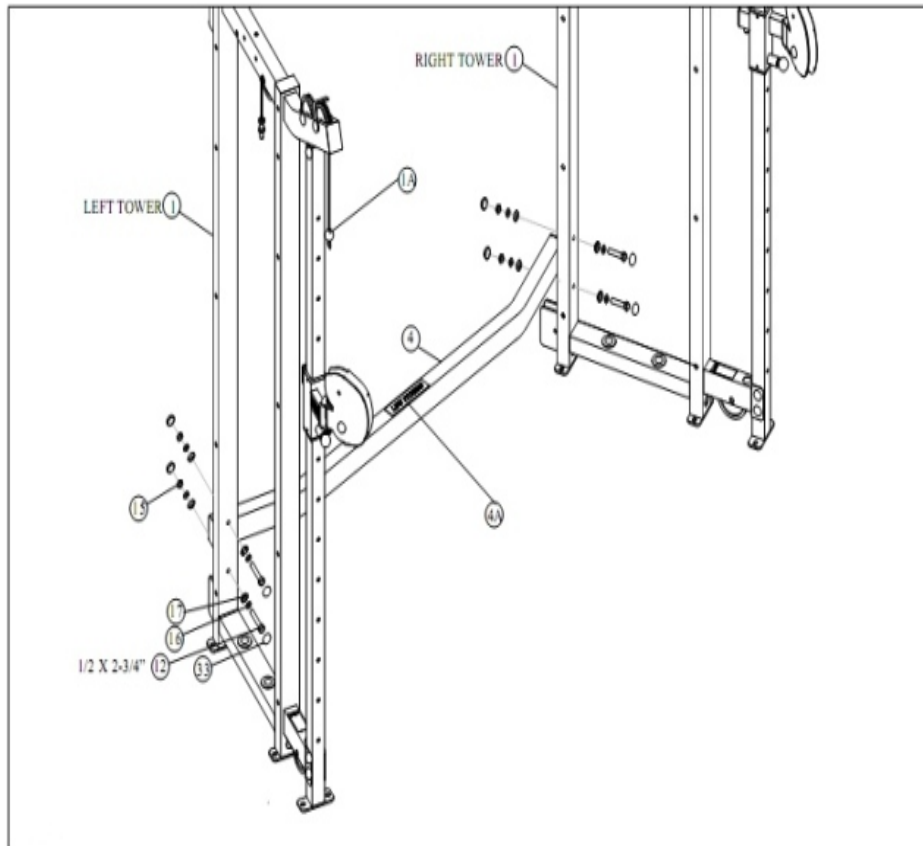
Ref #	Part Number	Qty	Description
1K	6793001	1	Label, Product Warning 2"
1	7083799	2	TOWER
1J	3102807	3	Hardware: Nut 3/8" ID
1F	3102903	3	3/8-16 X 2-1/2 UNS HEX FHB G2 ZN
1C	6714901	4	Bushing Guide Rod
1B	LEA6692601	6	Cap; End 3 X 2 10-14GA
1A	7111401	2	Cable, SE, NB2-TP1, T2, 348-3/4
1D	3222801	3	Pulley, 4-1/2 OD X 1/4 ID X 1
1E	6866601	4	Cap, RH-20 Black
1G	6866701	4	Washer, Right 3/8 ID
1H	LEA6480301	6	Spacer; FLNG 3/8LD X5/8OD X9/16
1I	6827001	1	Clip, Cable 2-7/8 X 2-1/4 X 1

### Component Assembly 3



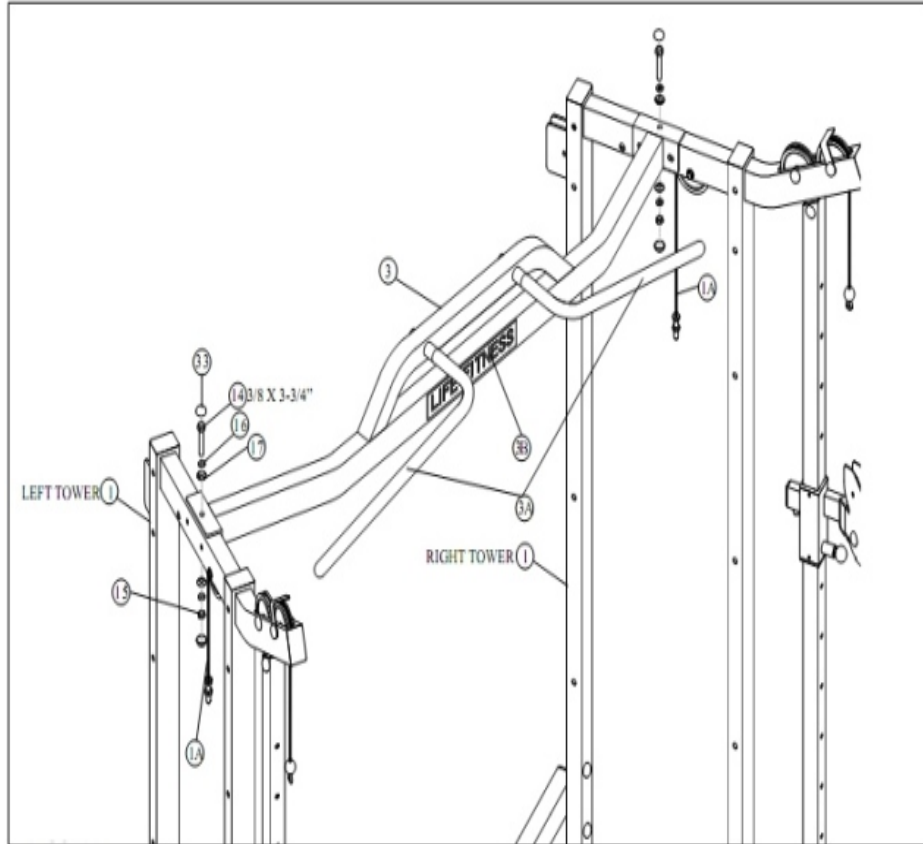
Ref #	Part Number	Qty	Description
1	7083799	2	TOWER
1A	7111401	2	Cable, SE, NB2-TP1, T2, 348-3/4
2	7086101	2	Weldment, Front Upright Chrome
11	3102903	6	3/8-16 X 2-1/2 UNS HEX FHB G2 ZN
12	3102922	8	3/8-16X2-3/4 UNS HEX FHB G2 ZN
15	3102807	28	Hardware: Nut 3/8" ID
16	3102514	44	Hardware: Flat Washer 3/8" ID
17	6866701	52	Washer, Right 3/8 ID
24	3222801	12	Pulley, 4-1/2 OD X 1/4 ID X 1
33	ACU06-0357PLAT	40	Cap - Right Plate
33	6866602	40	Cap, RH-20 White

## Component Assembly 4



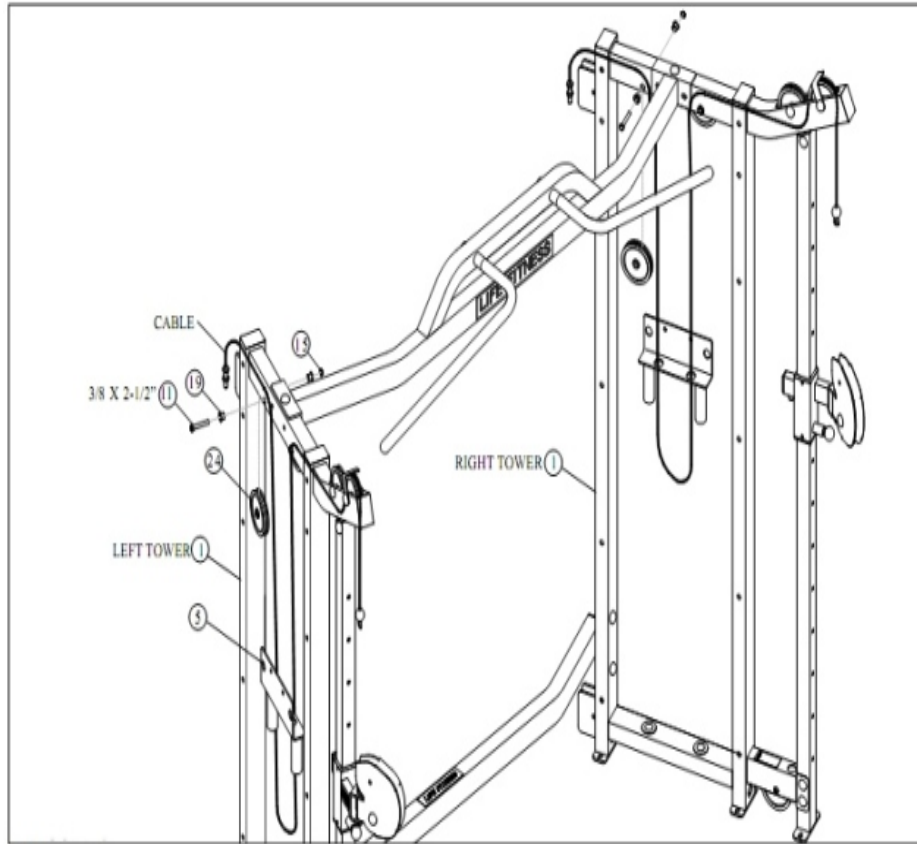
Ref #	Part Number	Qty	Description
1	7083799	2	TOWER
1A	7111401	2	Cable, SE, NB2-TP1, T2, 348-3/4
4	7103199	1	ASSY REAR CROSS SUPPORT
4A	7110801	1	Label, Life Fit 1-11/16 X 7-1/2
12	3102922	8	3/8-16X2-3/4 UNS HEX FHB G2 ZN
15	3102807	28	Hardware: Nut 3/8" ID
16	3102514	44	Hardware: Flat Washer 3/8" ID
17	6866701	52	Washer, Right 3/8 ID
33	ACU06-0357PLAT	40	Cap - Right Plate
30	6866602	40	Cap, RH-20 White

## Component Assembly 5



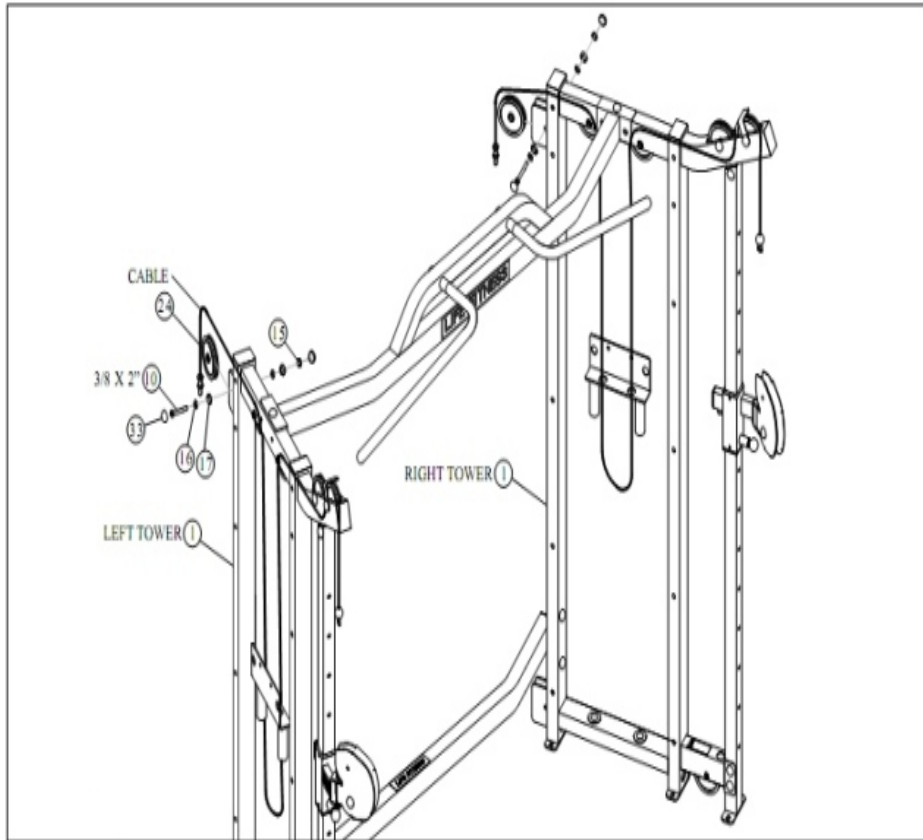
Ref #	Part Number	Qty	Description
1A	7111401	2	Cable, SE, NB2-TP1, T2, 348-3/4
1	7083799	2	TOWER
3	7103299	1	ASSY TOP CROSS SUPPORT
3B	7111301	1	Label, Life Fit 2-1/2 X 15
3A	3103106	2	Grip, 1-1/4 X 23 Closed End
14	3102905	2	3/8-16 X 3-3/4 UNS HEX FHB G2 ZN
15	3102807	28	Hardware: Nut 3/8" ID
16	3102514	44	Hardware: Flat Washer 3/8" ID
17	6866701	52	Washer, Right 3/8 ID
33	ACU06-0357PLAT	40	Cap - Right Plate
33	6866602	40	Cap, RH-20 White

**Component Assembly 6**



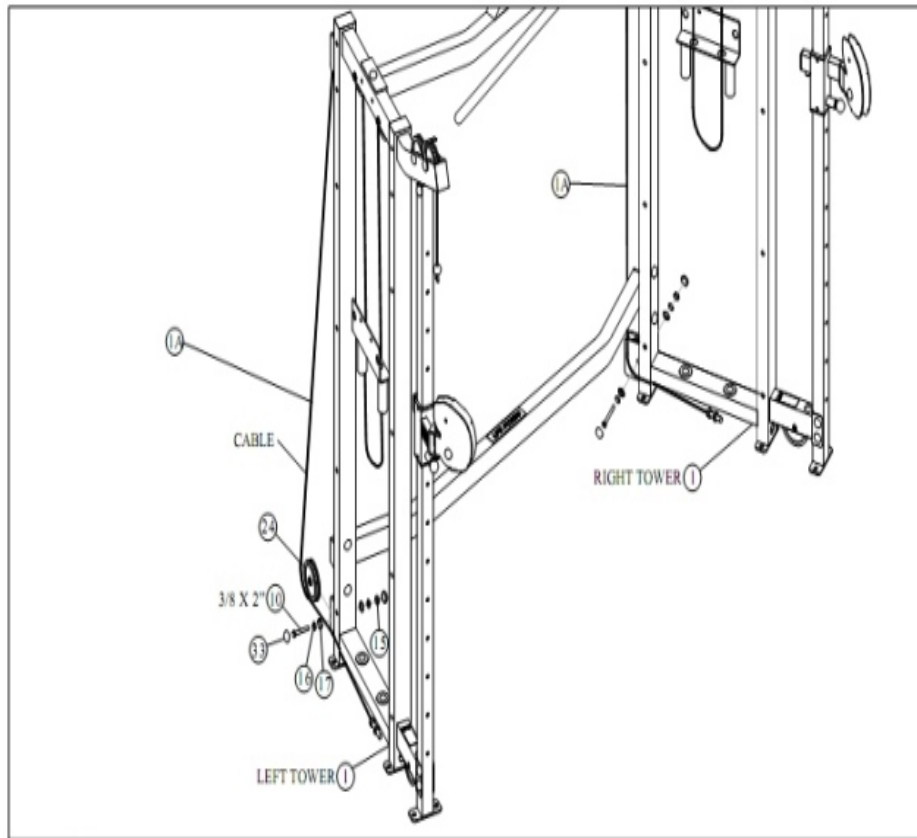
Ref #	Part Number	Qty	Description
1	7083799	2	TOWER
5	7085799	2	GUIDE ROD SUPPORT
11	3102903	6	3/8-16 X 2-1/2 UNS HEX FHB G2 ZN
15	3102807	28	Hardware: Nut 3/8" ID
19	LEA6480301	8	Spacer; FLNG 3/8LD X5/8OD X9/16
24	3222801	12	Pulley, 4-1/2 OD X 1/4 ID X 1

## Component Assembly 7



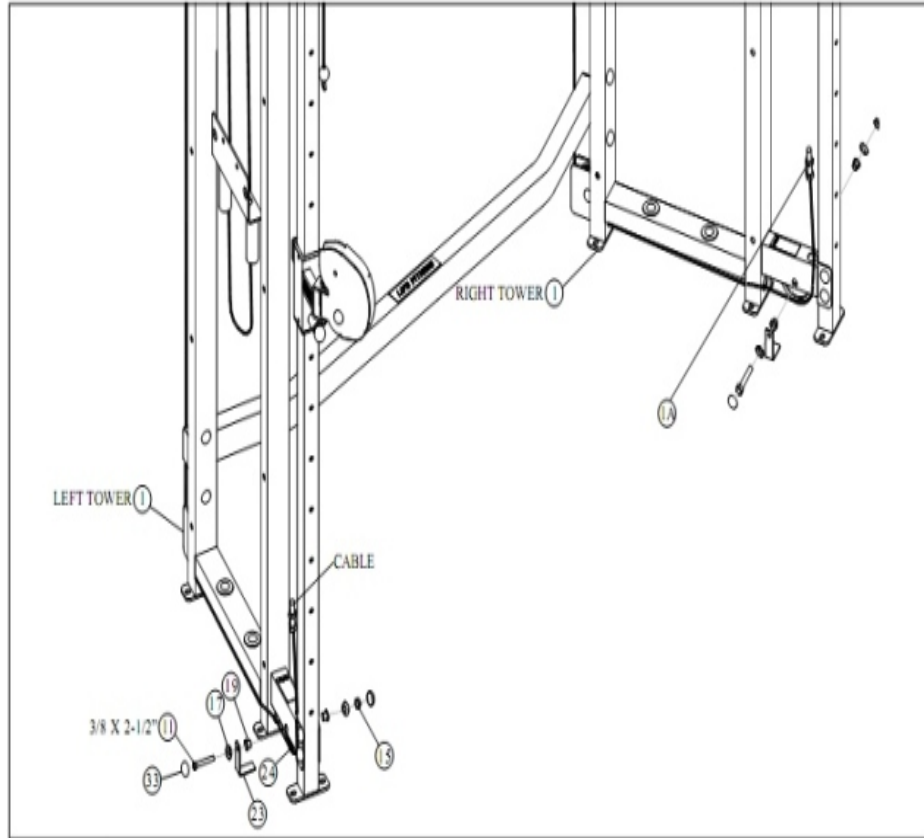
Ref #	Part Number	Qty	Description
1	7083799	2	TOWER
10	3102933	4	3/8-16X2 UNS HEX FHB G2 ZN
15	3102807	28	Hardware: Nut 3/8" ID
16	3102514	44	Hardware: Flat Washer 3/8" ID
17	6866701	52	Washer, Right 3/8 ID
24	3222801	12	Pulley, 4-1/2 OD X 1/4 ID X 1
33	ACU06-0357PLAT	40	Cap - Right Plate
33	6866602	40	Cap, RH-20 White

## Component Assembly 8



Ref #	Part Number	Qty	Description
1A	7111401	2	Cable, SE, NB2-TP1, T2, 348-3/4
10	3102933	4	3/8-16X2 UNS HEX FHB G2 ZN
15	3102807	28	Hardware: Nut 3/8" ID
16	3102514	44	Hardware: Flat Washer 3/8" ID
17	6866701	52	Washer, Right 3/8 ID
24	3222801	12	Pulley, 4-1/2 OD X 1/4 ID X 1
33	6866602	40	Cap, RH-20 White
33	ACU06-0357PLAT	40	Cap - Right Plate

## Component Assembly 9



Ref #	Part Number	Qty	Description
1A	7111401	2	Cable, SE, NB2-TP1, T2, 348-3/4
1	7083799	2	TOWER
11	3102903	6	3/8-16 X 2-1/2 UNS HEX FHB G2 ZN
15	3102807	28	Hardware: Nut 3/8" ID
17	6866701	52	Washer, Right 3/8 ID
19	LEA6480301	8	Spacer; FLNG 3/8LD X5/8OD X9/16
23	6827001	2	Clip, Cable 2-7/8 X 2-1/4 X 1
24	3222801	12	Pulley, 4-1/2 OD X 1/4 ID X 1
33	6866602	40	Cap, RH-20 White
33	ACU06-0357PLAT	40	Cap - Right Plate

**Miscellaneous**

---

Ref #	Part Number	Qty	Description
-	6914607	2	SHROUD, FRONT 78" PLATINUM

