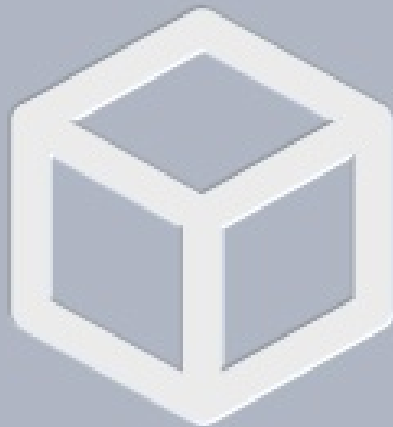


Club Series - Chest Press

CSCP

Parts Manual

1/5/2019 13:06:40 PM

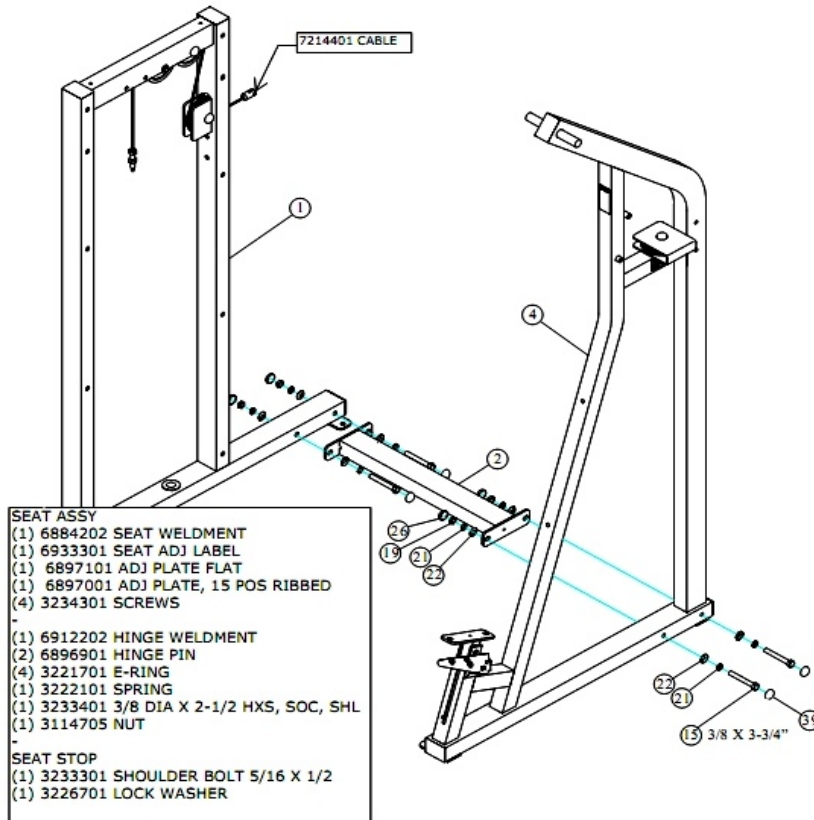


NO IMAGE AVAILABLE

Table of Contents

[Component Assembly 1](#).....3
[Component Assembly 10](#).....5
[Component Assembly 11](#).....6
[Component Assembly 12](#).....7
[Component Assembly 13](#).....8
[Component Assembly 2](#).....9
[Component Assembly 3](#).....10
[Component Assembly 4](#).....11
[Component Assembly 5](#).....12
[Component Assembly 6](#).....13
[Component Assembly 7](#).....14
[Component Assembly 8](#).....15
[Component Assembly 9](#).....16
[Miscellaneous](#).....17

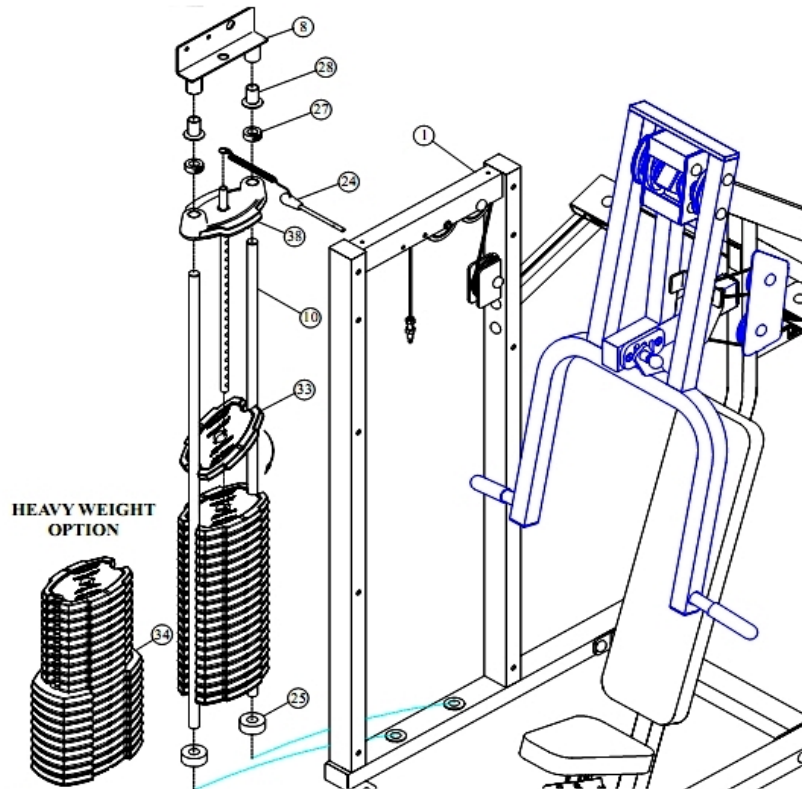
Component Assembly 1



Ref #	Part Number	Qty	Description
1	7123899	1	TOWER
2	6895099	1	CROSS SUPPORT
4	7123799	1	BOOM ASSY
15	3102905	4	3/8-16 X 3-3/4 UNS HEX FHB G2 ZN
19	3102807	21	Hardware: Nut 3/8" ID
21	3102514	23	Hardware: Flat Washer 3/8" ID
22	6866701	39	Washer, Right 3/8 ID
26	6866601	5	Cap, RH-20 Black
39	ACU06-0357PLAT	34	Cap - Right Plate
39	6866602	34	Cap, RH-20 White
-	3222101	1	SPRING, .480 DIA X .081 X1-7/8
-	3221701	4	E-Ring, External 3/8
-	3114705	1	Nut, Nylock 5/16-18 BZ
-	6912202	1	Weldment, Hinge Black
-	3234301	4	5/16-18 X 1/2 HXS FL SC ST BZ
-	3233301	1	5/16 Diameter X 1/2 HXS, SOC, SHL
-	3226701	1	Washer, Lock 1/4 ID SAE Heavy BZ McMaster #91104A0
-	6884202	1	WLDMT, SEAT ADJUST BLK
-	3233401	1	
-	6933301	1	Label, Seat Adjust
-	6897101	1	Plate, Adjustment 10.594
-	6897001	1	Plate, Adjustment 15 Positions

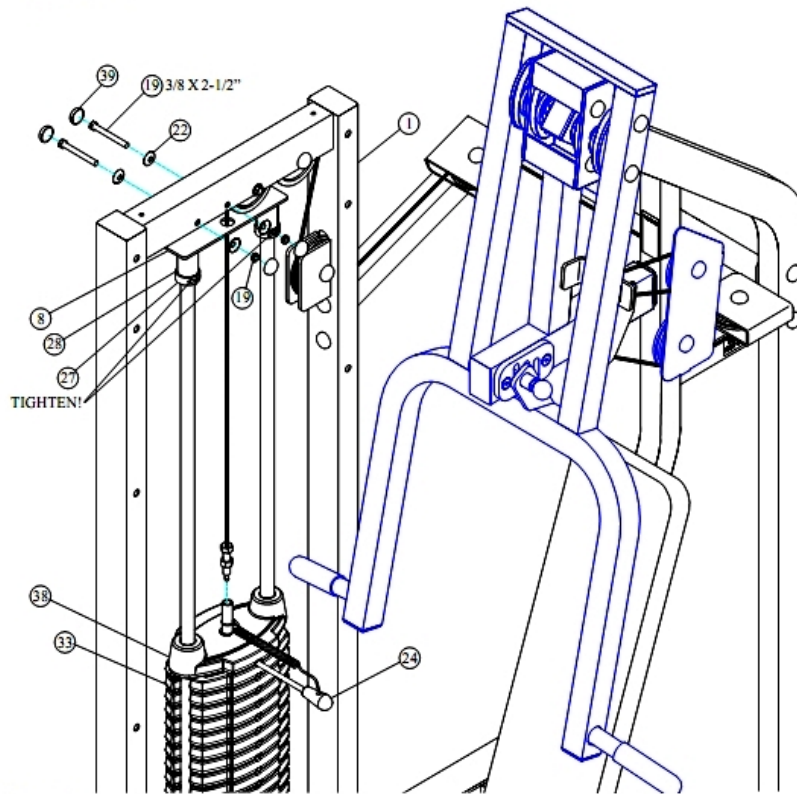
Ref #	Part Number	Qty	Description
-	6896901	2	Pin, Hinge 3/8 Diameter X 2-13/16

Component Assembly 10



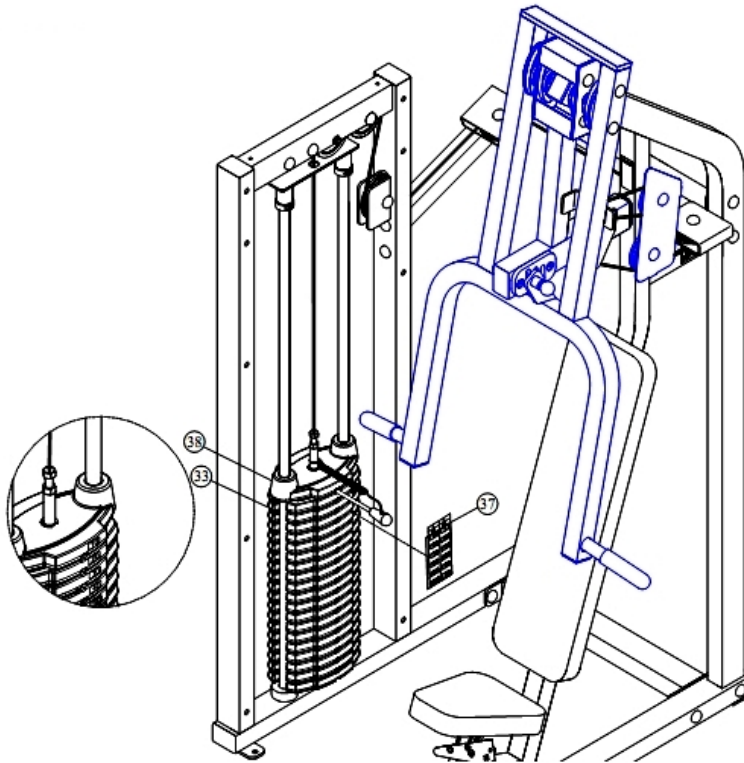
Ref #	Part Number	Qty	Description
1	7123899	1	TOWER
8	6883999	1	*GUIDE ROD SUPPORT
10	6927001	2	Plated Assembly, Guide Rod 60" Lg
24	LEA7622001	1	Assembly; Selector Pin
25	3108001	2	Cushion Weight Stack
27	3222001	2	Collar, Shaft 1 ID Black Plastic
28	6714901	2	Bushing Guide Rod
33	CSWGT-4000-101	20	Standard Weight Plate Option
34	6888402	10	ORDER CSWGT-4100-101 FROM FINISHED GOODS
38	6923602	1	Painted Assembly, Head Plate 25.5 Black

Component Assembly 11



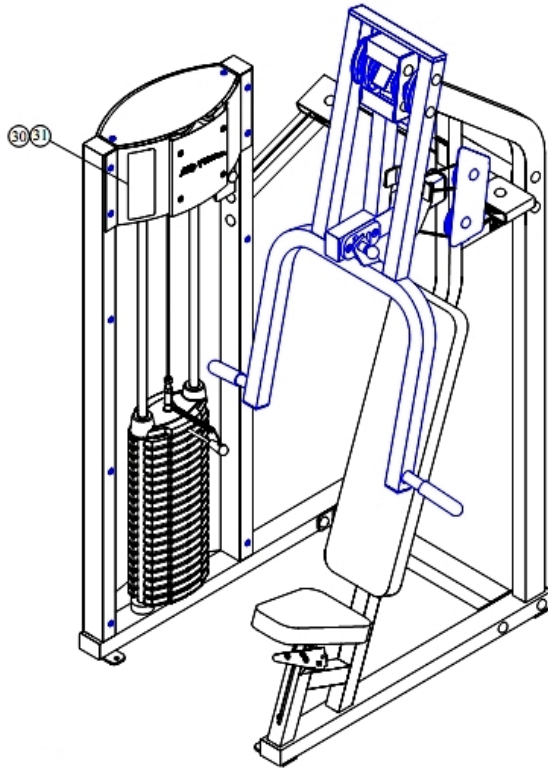
Ref #	Part Number	Qty	Description
1	7123899	1	TOWER
8	6883999	1	*GUIDE ROD SUPPORT
19	3102807	21	Hardware: Nut 3/8" ID
22	6866701	39	Washer, Right 3/8 ID
24	LEA7622001	1	Assembly; Selector Pin
27	3222001	2	Collar, Shaft 1 ID Black Plastic
28	6714901	2	Bushing Guide Rod
33	CSWGT-4000-101	20	Standard Weight Plate Option
38	6923602	1	Painted Assembly, Head Plate 25.5 Black
39	ACU06-0357PLAT	34	Cap - Right Plate
39	6866602	34	Cap, RH-20 White

Component Assembly 12



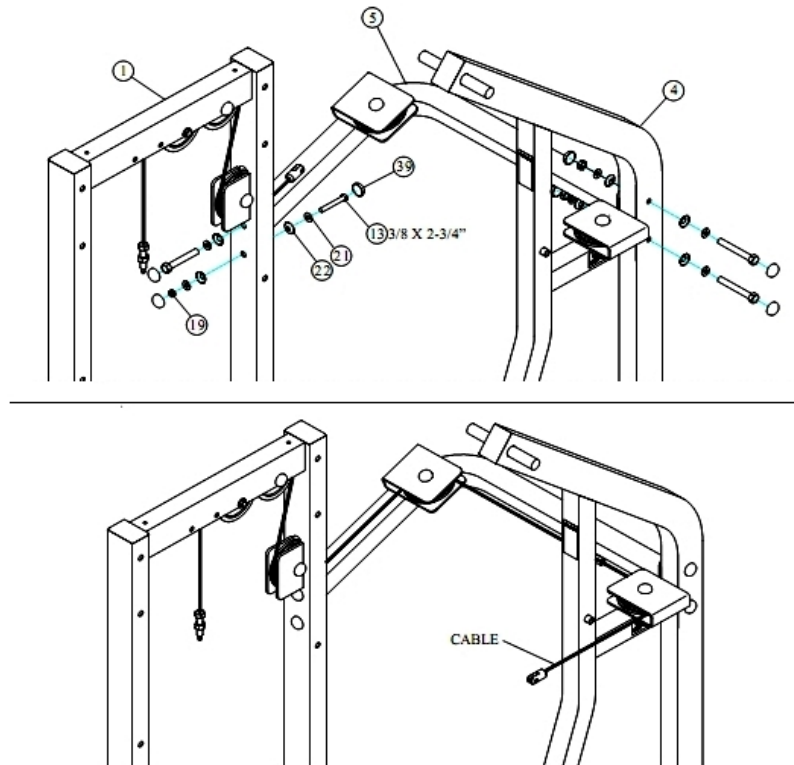
Ref #	Part Number	Qty	Description
33	CSWGT-4000-101	20	Standard Weight Plate Option
37	6957001	1	Label, Stack Standard 20
38	6923602	1	Painted Assembly, Head Plate 25.5 Black

Component Assembly 13



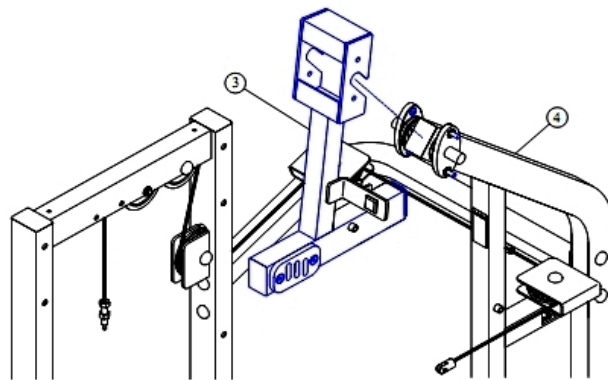
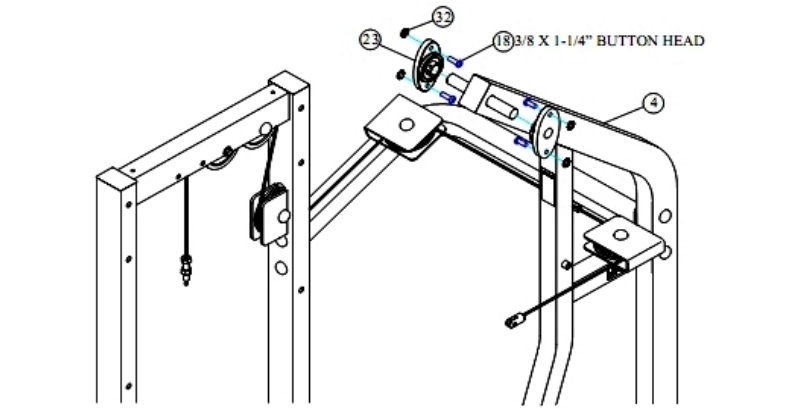
Ref #	Part Number	Qty	Description
30	6942301	1	NLA: LABEL, PLACARD CSCP
31	6942401	1	LABEL, PLACARD LANG ADDNM CSCP

Component Assembly 2



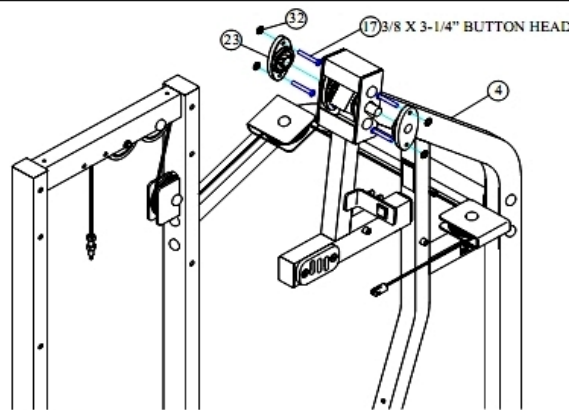
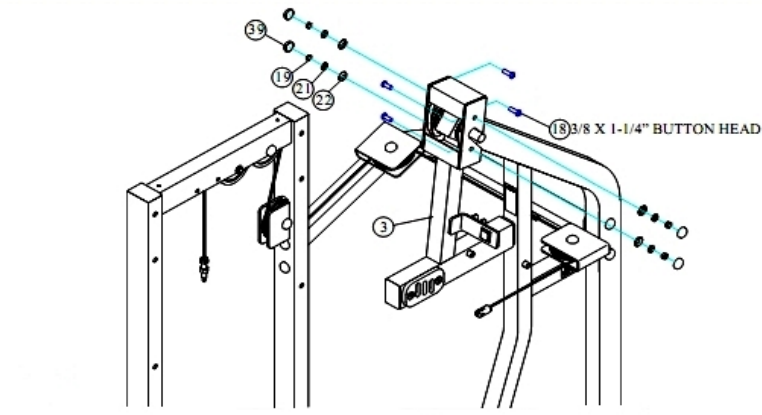
Ref #	Part Number	Qty	Description
1	7123899	1	TOWER
4	7123799	1	BOOM ASSY
5	7124099	1	CROSS BRACE
13	3102922	4	3/8-16X2-3/4 UNS HEX FHB G2 ZN
19	3102807	21	Hardware: Nut 3/8" ID
21	3102514	23	Hardware: Flat Washer 3/8" ID
22	6866701	39	Washer, Right 3/8 ID
39	6866602	34	Cap, RH-20 White
39	ACU06-0357PLAT	34	Cap - Right Plate

Component Assembly 3



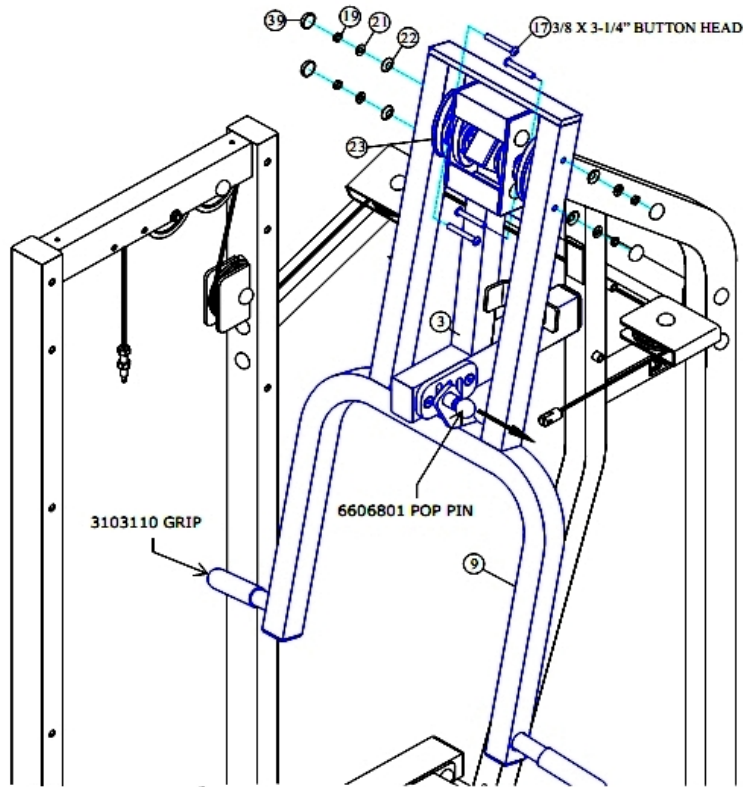
Ref #	Part Number	Qty	Description
3	7123199	1	ADJUSTMENT ARM
4	7123799	1	BOOM ASSY
18	3202406	4	3/8-16 X1-1/4 HXS BUT CS G8 BO
23	3203501	4	Assembly, Pillow Block 5.125 X2.75
32	3230701	8	Washer .391-.683-036 EX-D ST BZ

Component Assembly 4



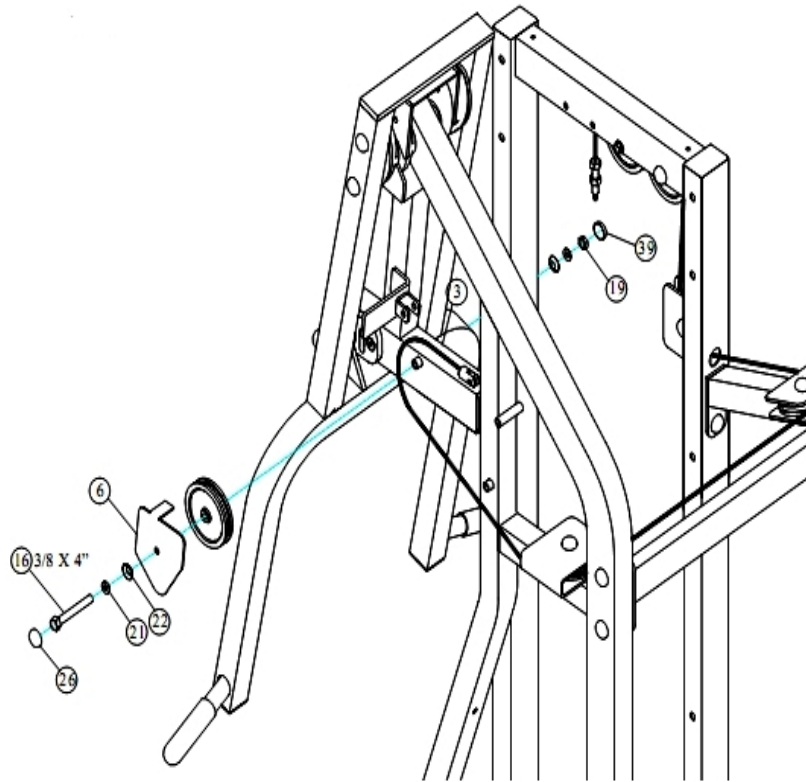
Ref #	Part Number	Qty	Description
3	7123199	1	ADJUSTMENT ARM
4	7123799	1	BOOM ASSY
17	3202407	4	3/8-16 X3-1/4 HXS BUT CS G8 BO
18	3202406	4	3/8-16 X1-1/4 HXS BUT CS G8 BO
19	3102807	21	Hardware: Nut 3/8" ID
21	3102514	23	Hardware: Flat Washer 3/8" ID
22	6866701	39	Washer, Right 3/8 ID
23	3203501	4	Assembly, Pillow Block 5.125 X2.75
32	3230701	8	Washer .391-.683-036 EX-D ST BZ
39	ACU06-0357PLAT	34	Cap - Right Plate
39	6866602	34	Cap, RH-20 White

Component Assembly 5



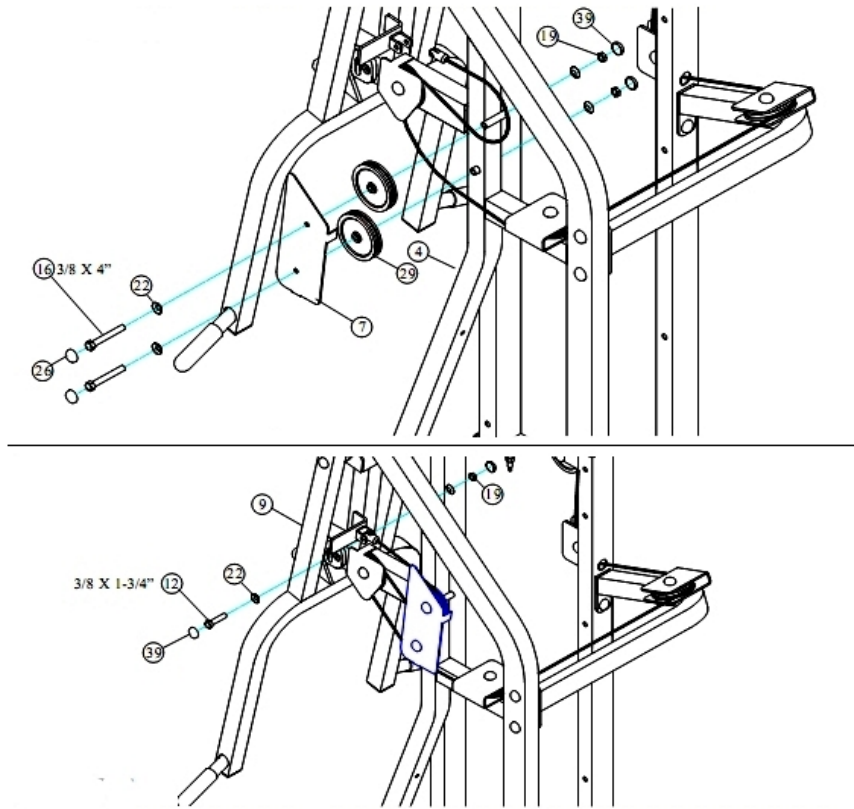
Ref #	Part Number	Qty	Description
9	6899799	1	PRESS ARM
17	3202407	4	3/8-16 X3-1/4 HXS BUT CS G8 BO
19	3102807	21	Hardware: Nut 3/8" ID
21	3102514	23	Hardware: Flat Washer 3/8" ID
22	6866701	39	Washer, Right 3/8 ID
23	3203501	4	Assembly, Pillow Block 5.125 X2.75
39	6866602	34	Cap, RH-20 White
39	ACU06-0357PLAT	34	Cap - Right Plate

Component Assembly 6



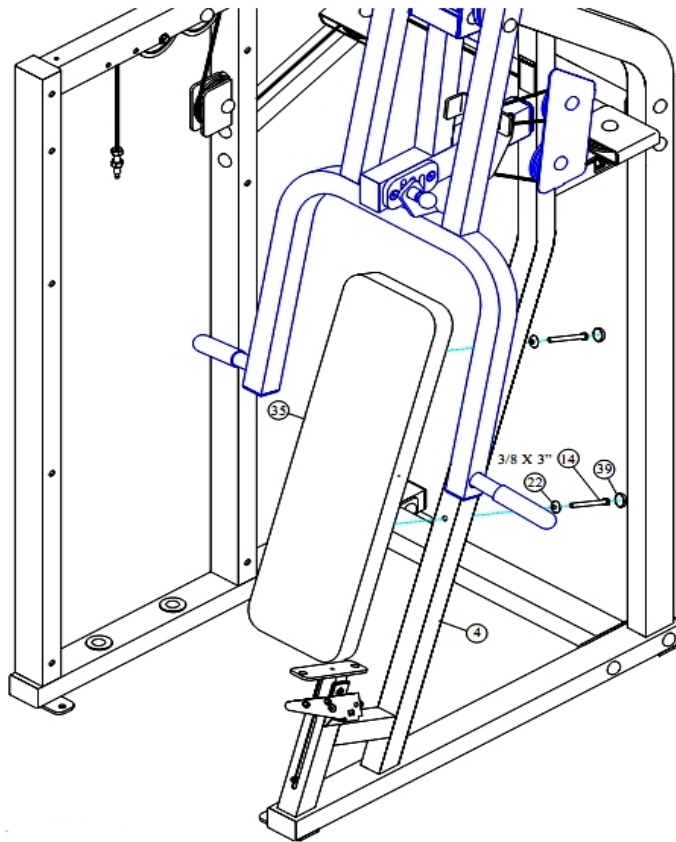
Ref #	Part Number	Qty	Description
3	7123199	1	ADJUSTMENT ARM
6	6926499	1	SINGLE CHEST SHROUD
16	3102906	3	3/8-16X4 UNS HEX FHB G2 ZN
19	3102807	21	Hardware: Nut 3/8" ID
21	3102514	23	Hardware: Flat Washer 3/8" ID
22	6866701	39	Washer, Right 3/8 ID
26	6866601	5	Cap, RH-20 Black
39	6866602	34	Cap, RH-20 White
39	ACU06-0357PLAT	34	Cap - Right Plate

Component Assembly 7



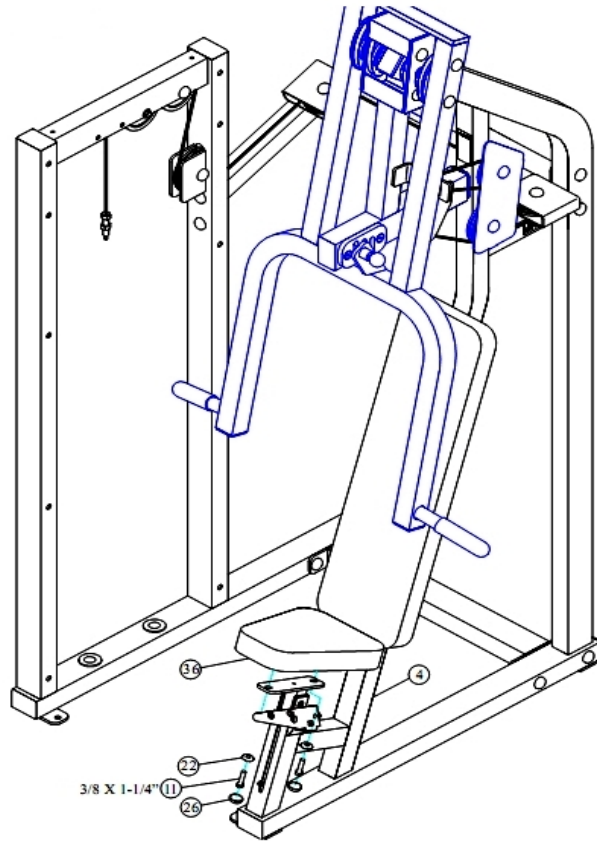
Ref #	Part Number	Qty	Description
4	7123799	1	BOOM ASSY
7	6926599	1	DOUBLE CHEST SHROUD
9	6899799	1	PRESS ARM
12	LEA3102924	1	.375-16 X 1.75 HEX Head Bolt
16	3102906	3	3/8-16X4 UNS HEX FHB G2 ZN
19	3102807	21	Hardware: Nut 3/8" ID
22	6866701	39	Washer, Right 3/8 ID
26	6866601	5	Cap, RH-20 Black
29	3222801	3	Pulley, 4-1/2 OD X 1/4 ID X 1
39	ACU06-0357PLAT	34	Cap - Right Plate
39	6866602	34	Cap, RH-20 White

Component Assembly 8



Ref #	Part Number	Qty	Description
4	7123799	1	BOOM ASSY
14	LEA3102904	2	375 - 16 X 3.00 HEX Head Bolt
22	6866701	39	Washer, Right 3/8 ID
35	6876999	1	Custom
39	ACU06-0357PLAT	34	Cap - Right Plate
39	6866602	34	Cap, RH-20 White

Component Assembly 9



Ref #	Part Number	Qty	Description
4	7123799	1	BOOM ASSY
11	3102901	2	3/8-16X1-1/4 UNS HEX FHB G2 ZN
22	6866701	39	Washer, Right 3/8 ID
26	6866601	5	Cap, RH-20 Black
36	6913199	1	*SEAT PAD

Miscellaneous

Ref #	Part Number	Qty	Description
7	6926501	1	SHROUD, DOUBLE CHEST
12	LEA3102924	1	.375-16 X 1.75 HEX Head Bolt
20	3102903	2	3/8-16 X 2-1/2 UNS HEX FHB G2 ZN
29	3222801	3	Pulley, 4-1/2 OD X 1/4 ID X 1
36	6913199	1	*SEAT PAD

