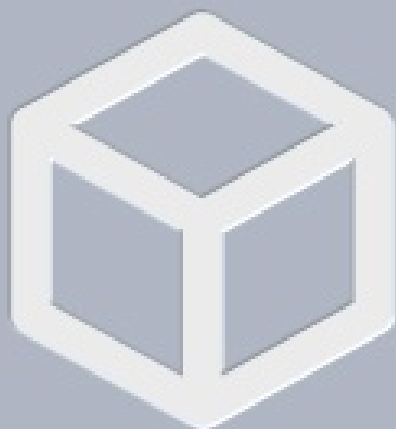


Club Series - Hip Abductor/Adductor

CSHAA

Parts Manual

1/5/2019 13:08:05 PM

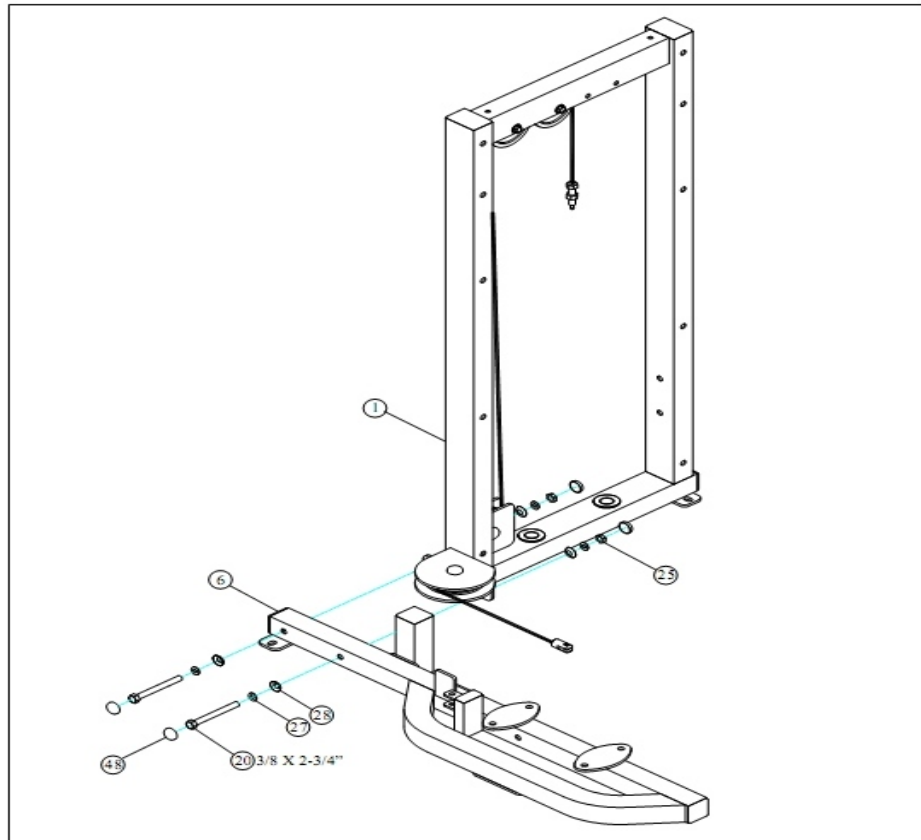


NO IMAGE AVAILABLE

Table of Contents

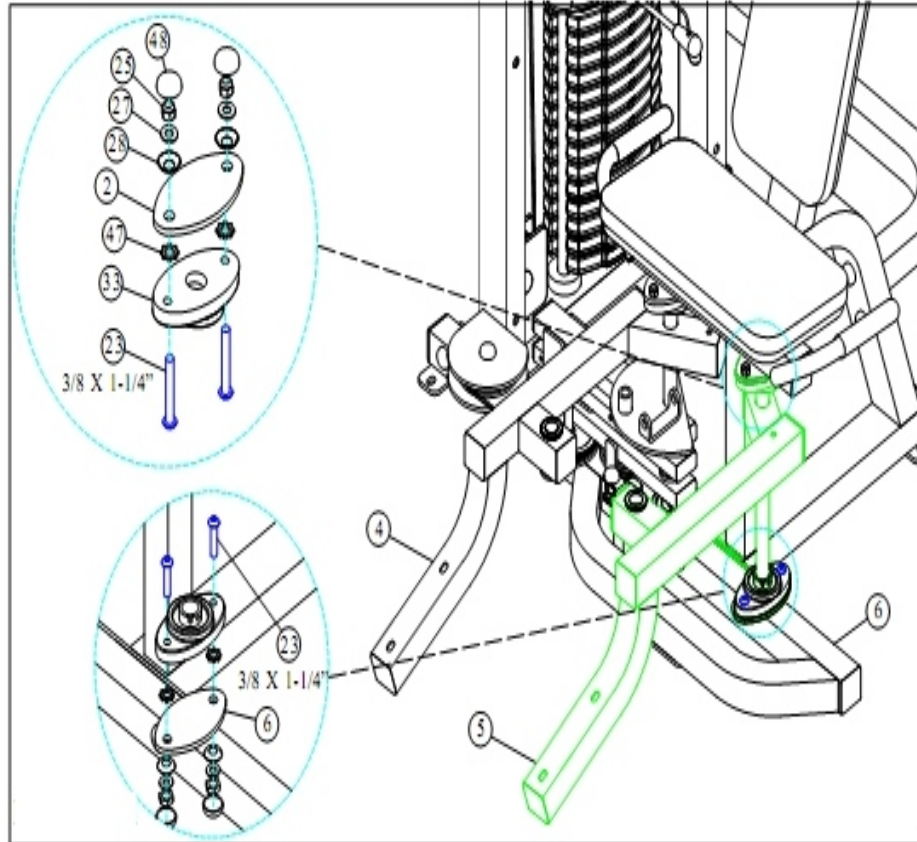
Component Assembly 1	3
Component Assembly 10	4
Component Assembly 11	5
Component Assembly 12	6
Component Assembly 13	7
Component Assembly 14	8
Component Assembly 15	9
Component Assembly 16	10
Component Assembly 17	11
Component Assembly 18	12
Component Assembly 19	13
Component Assembly 2	14
Component Assembly 20	15
Component Assembly 21	16
Component Assembly 22	17
Component Assembly 23	18
Component Assembly 24	19
Component Assembly 25	20
Component Assembly 3	21
Component Assembly 4	22
Component Assembly 5	23
Component Assembly 6	24
Component Assembly 7	25
Component Assembly 8	26
Component Assembly 9	27
Miscellaneous	28

Component Assembly 1



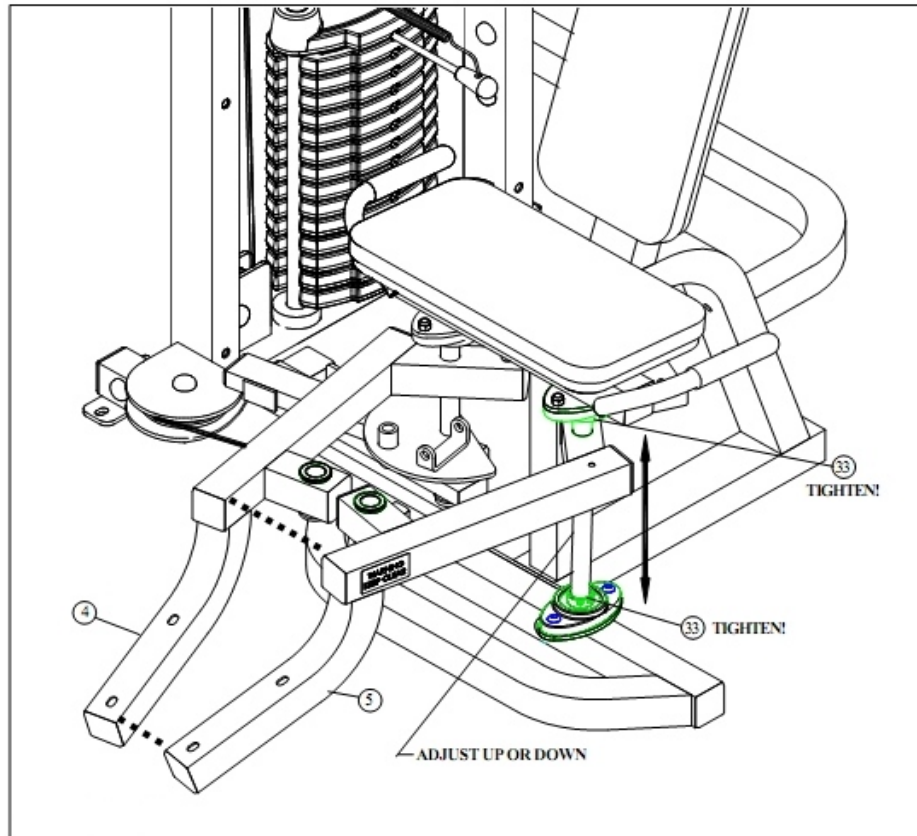
Ref #	Part Number	Qty	Description
1	7171099	1	TOWER
6	7172399	1	CROSS SUPPORT
20	3102922	11	3/8-16X2-3/4 UNS HEX FHB G2 ZN
25	3102807	31	Hardware: Nut 3/8" ID
27	3102514	38	Hardware: Flat Washer 3/8" ID
28	6866701	60	Washer, Right 3/8 ID
48	ACU06-0357PLAT	56	Cap - Right Plate
48	6866602	56	Cap, RH-20 White

Component Assembly 10



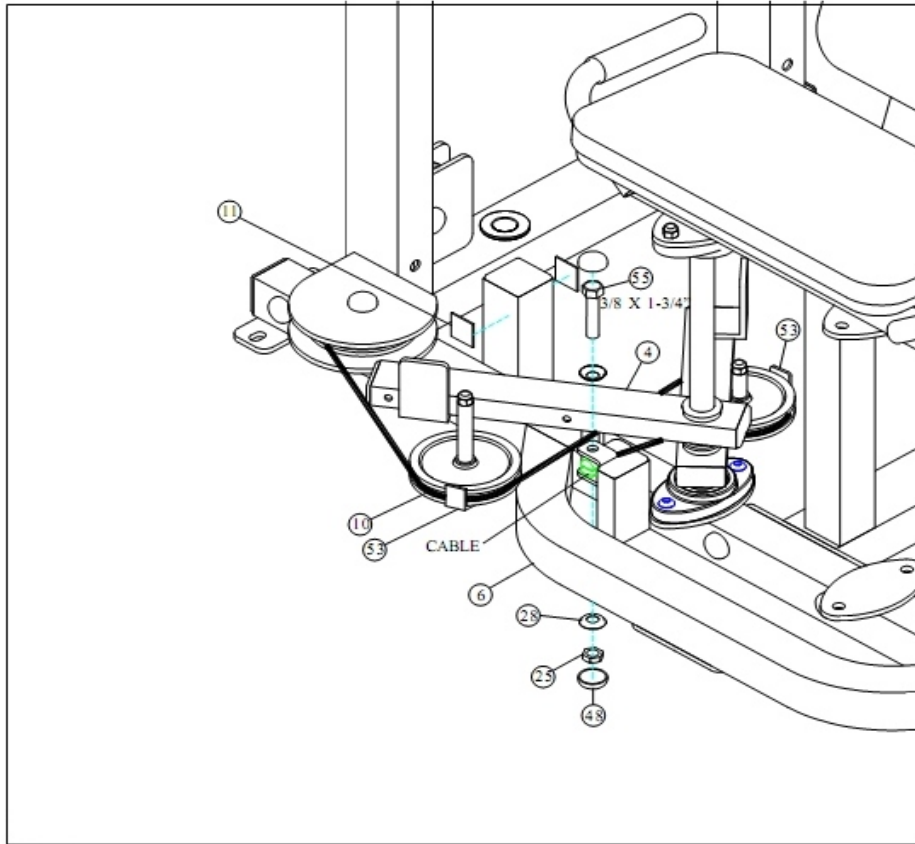
Ref #	Part Number	Qty	Description
2	7172999	1	PIVOT ARM SUPPORT
4	7173399	1	PTD ASSY, RIGHT PIVOT ARM
5	7174199	1	LEFT PIVOT ARM
6	7172399	1	CROSS SUPPORT
23	3202406	8	3/8-16 X1-1/4 HXS BUT CS G8 BO
25	3102807	31	Hardware: Nut 3/8" ID
27	3102514	38	Hardware: Flat Washer 3/8" ID
28	6866701	60	Washer, Right 3/8 ID
33	3203501	3	Assembly, Pillow Block 5.125 X2.75
47	3230701	8	Washer .391-.683-036 EX-D ST BZ
48	6866602	56	Cap, RH-20 White
48	ACU06-0357PLAT	56	Cap - Right Plate

Component Assembly 11



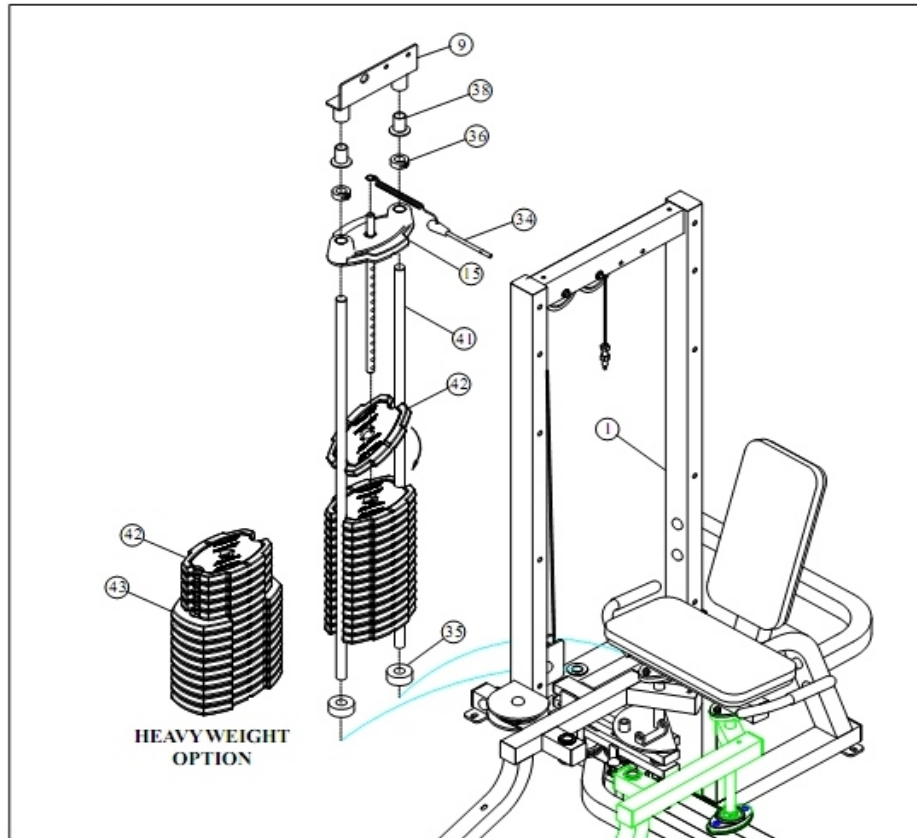
Ref #	Part Number	Qty	Description
4	7173399	1	PTD ASSY, RIGHT PIVOT ARM
5	7174199	1	LEFT PIVOT ARM
33	3203501	3	Assembly, Pillow Block 5.125 X2.75

Component Assembly 12



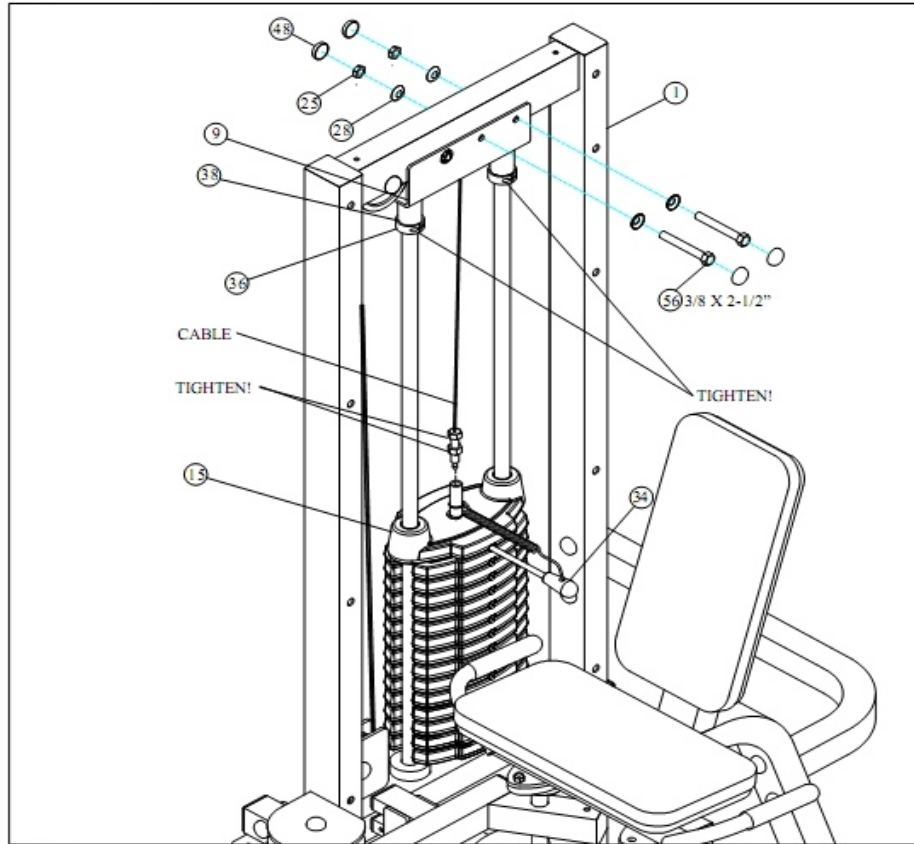
Ref #	Part Number	Qty	Description
4	7173399	1	PTD ASSY, RIGHT PIVOT ARM
6	7172399	1	CROSS SUPPORT
10	3222801	2	Pulley, 4-1/2 OD X 1/4 ID X 1
11	6140701	5	Glide 1 X 1
25	3102807	31	Hardware: Nut 3/8" ID
28	6866701	60	Washer, Right 3/8 ID
48	ACU06-0357PLAT	56	Cap - Right Plate
48	6866602	56	Cap, RH-20 White
53	6757701	2	Cable Clip
55	LEA3102924	1	.375-16 X 1.75 HEX Head Bolt

Component Assembly 13



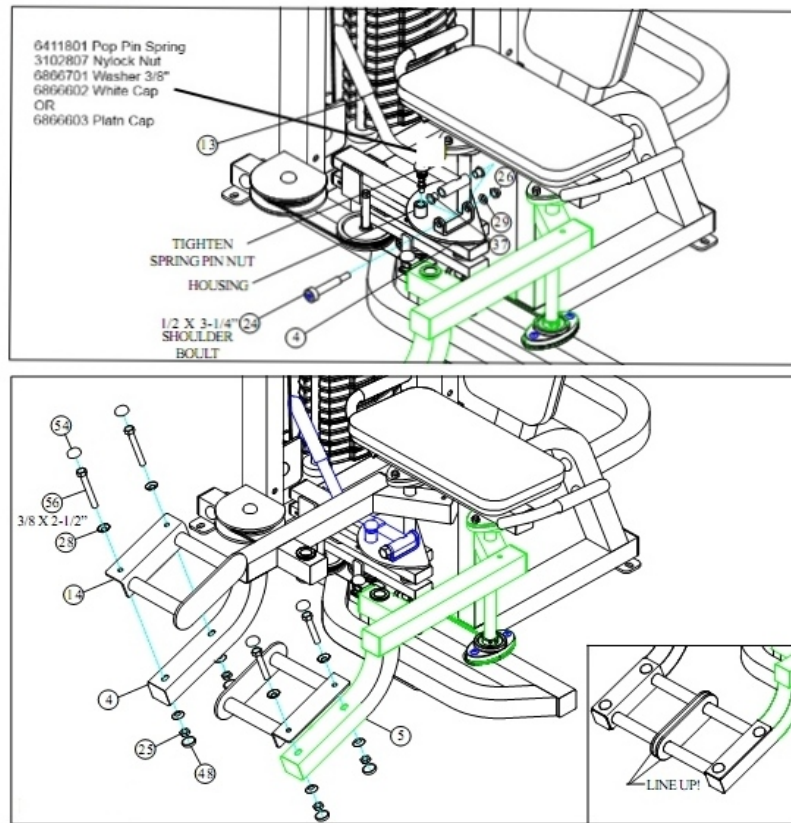
Ref #	Part Number	Qty	Description
1	7171099	1	TOWER
9	6883999	1	*GUIDE ROD SUPPORT
15	6925502	1	Painted Assembly, Head Plate 20" Black
34	LEA7622001	1	Assembly; Selector Pin
35	3108001	2	Cushion Weight Stack
36	3222001	2	Collar, Shaft 1 ID Black Plastic
38	6714901	2	Bushing Guide Rod
41	6926601	2	NLA: GUIDE ROD,PLTD 1" OD 11GA X 60
42	CSWGT-4000-101	20	Standard Weight Plate Option
43	6888402	10	ORDER CSWGT-4100-101 FROM FINISHED GOODS

Component Assembly 14



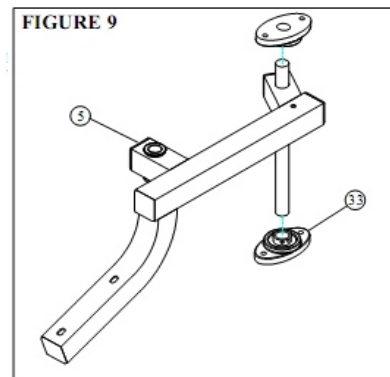
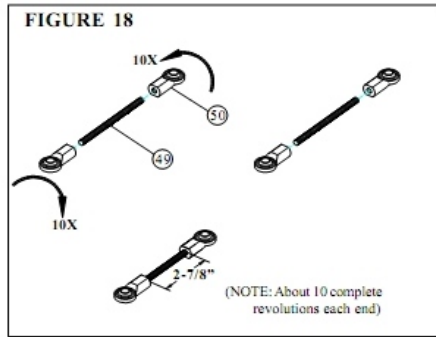
Ref #	Part Number	Qty	Description
1	7171099	1	TOWER
9	6883999	1	*GUIDE ROD SUPPORT
15	6925502	1	Painted Assembly, Head Plate 20" Black
34	LEA7622001	1	Assembly; Selector Pin
36	3222001	2	Collar, Shaft 1 ID Black Plastic
38	6714901	2	Bushing Guide Rod
56	3102903	6	3/8-16 X 2-1/2 UNS HEX FHB G2 ZN

Component Assembly 15



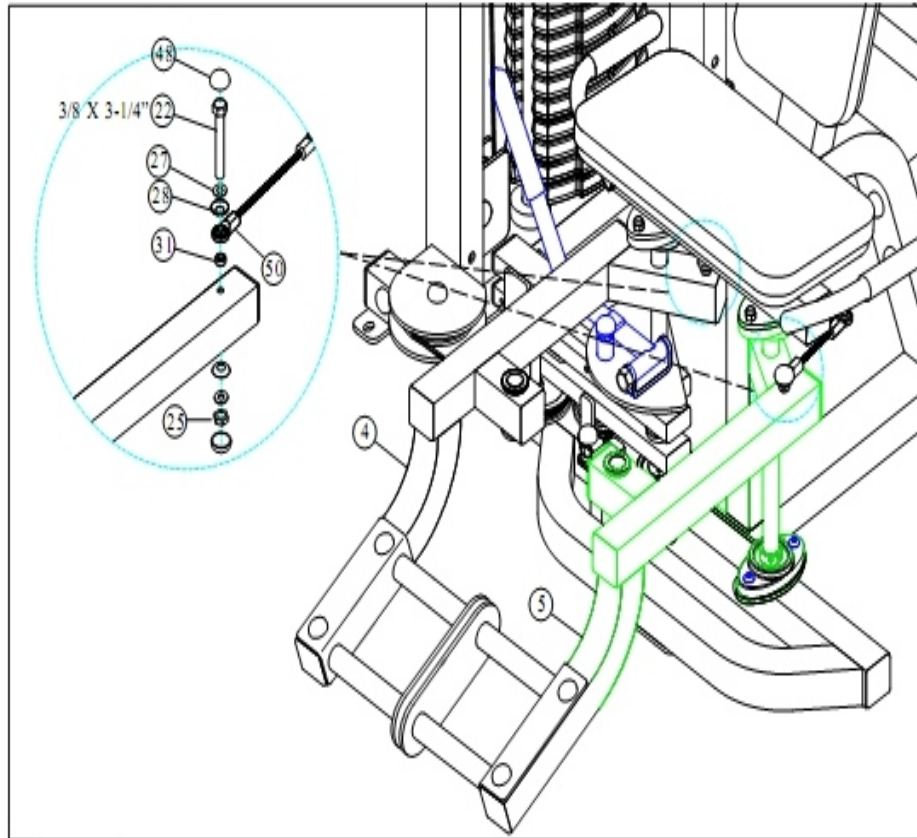
Ref #	Part Number	Qty	Description
4	7173399	1	PTD ASSY, RIGHT PIVOT ARM
5	7174199	1	LEFT PIVOT ARM
13	7176508	1	Painted Assembly, Handle CSHAA Ramsey White
13	7176537	1	Painted Assembly, Handle CSHAA Platinum
14	7177001	2	Weldment, Foot Support
24	3233502	1	1/2 Diameter X 3-1/4 HXS, SOC, SHL
26	3221501	1	Nut, Acorn 3/8-16 BZ
29	LEA3114502	1	Washer; Lock 3/8 ID BZ
37	LEA6020601	2	Bearing; Flanged 1/2 ID X 5/8 OD
54	6866601	4	Cap, RH-20 Black
56	3102903	6	3/8-16 X 2-1/2 UNS HEX FHB G2 ZN

Component Assembly 16



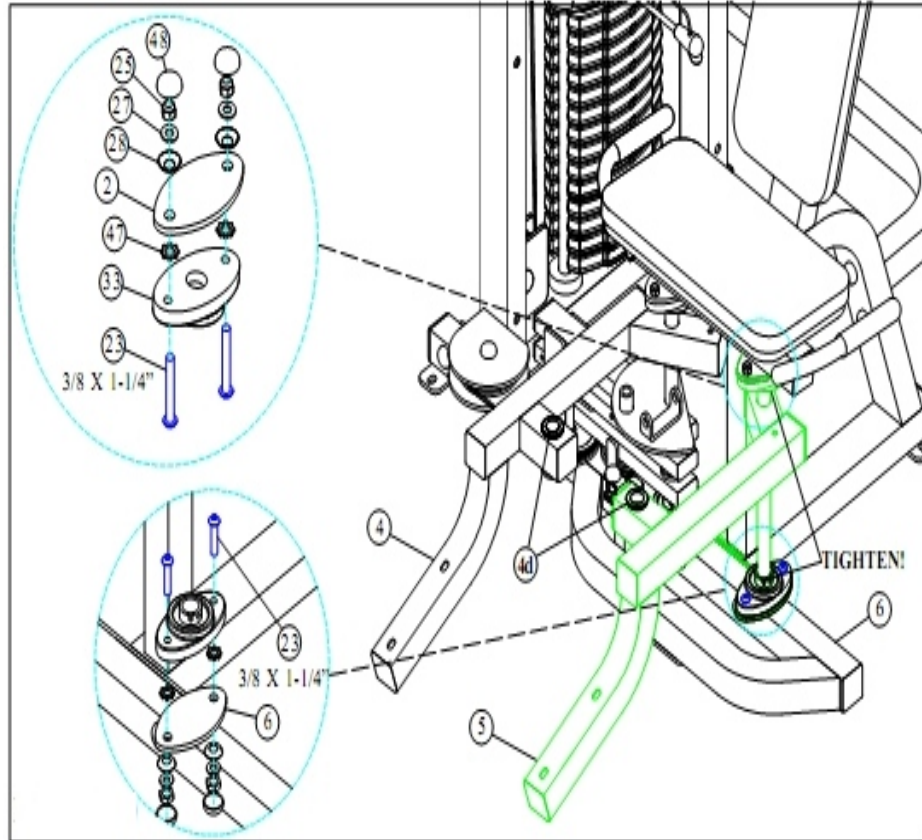
Ref #	Part Number	Qty	Description
5	7174199	1	LEFT PIVOT ARM
33	3203501	3	Assembly, Pillow Block 5.125 X2.75
49	7177301	2	Shaft, 3/8 Diameter Threaded X3-7/8
50	3233201	4	Bearing, 3/8 Rod End

Component Assembly 17



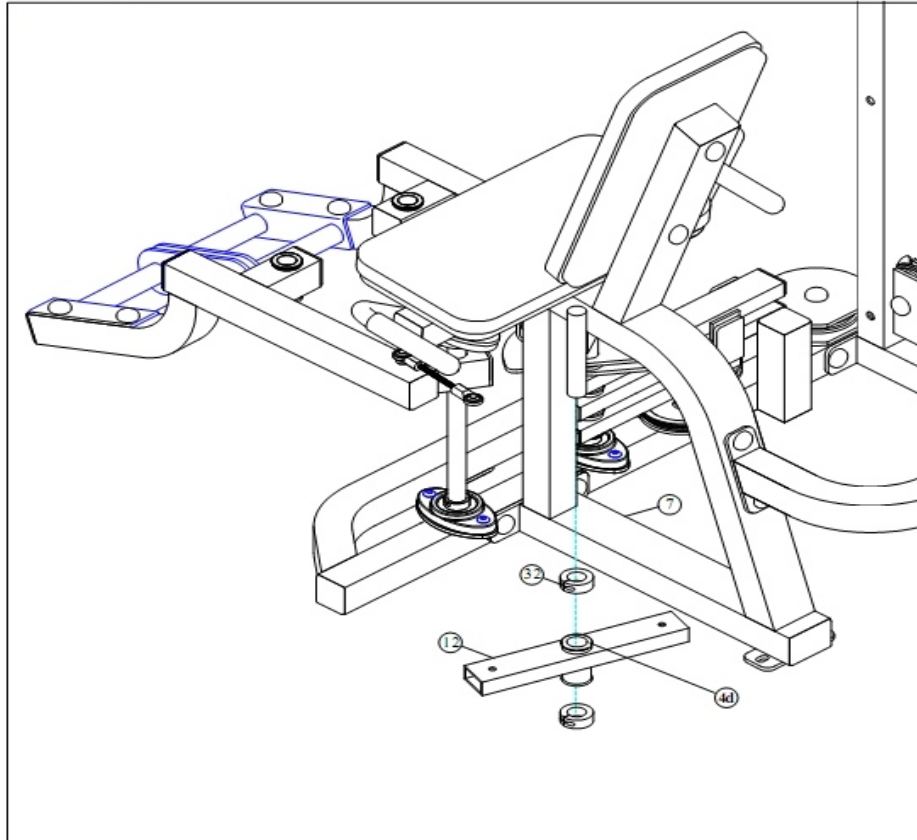
Ref #	Part Number	Qty	Description
4	7173399	1	PTD ASSY, RIGHT PIVOT ARM
5	7174199	1	LEFT PIVOT ARM
22	3102915	2	3/8-16X3-1/4 UNS HEX FHB G2 ZN
27	3102514	38	Hardware: Flat Washer 3/8" ID
31	6122704	4	Spacer, 3/8 ID X 5/8 OD X 1/4
50	3233201	4	Bearing, 3/8 Rod End

Component Assembly 18



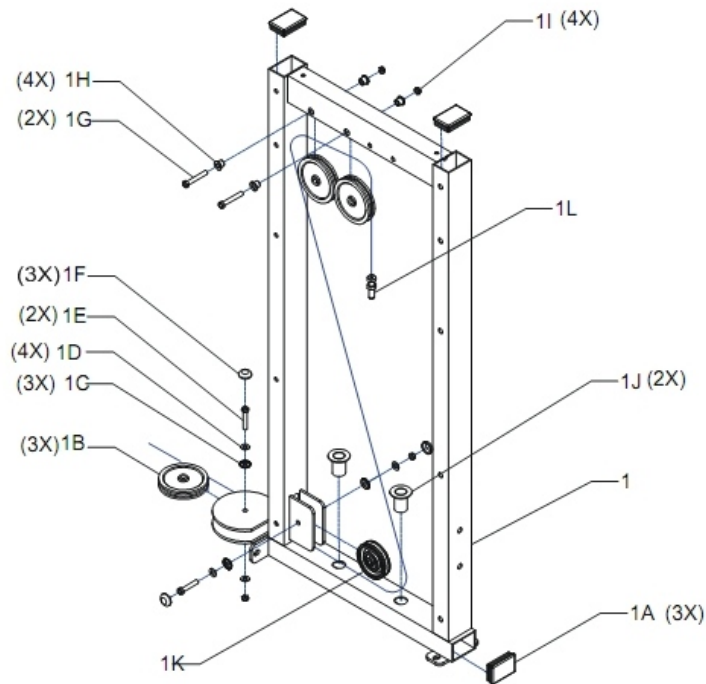
Ref #	Part Number	Qty	Description
2	7172999	1	PIVOT ARM SUPPORT
4D	3104903	2	Bearing 1" ID 1.25" OD
5	7174199	1	LEFT PIVOT ARM
6	7172399	1	CROSS SUPPORT
23	3202406	8	3/8-16 X1-1/4 HXS BUT CS G8 BO
27	3102514	38	Hardware: Flat Washer 3/8" ID
33	3203501	3	Assembly, Pillow Block 5.125 X2.75
47	3230701	8	Washer .391-.683-036 EX-D ST BZ

Component Assembly 19



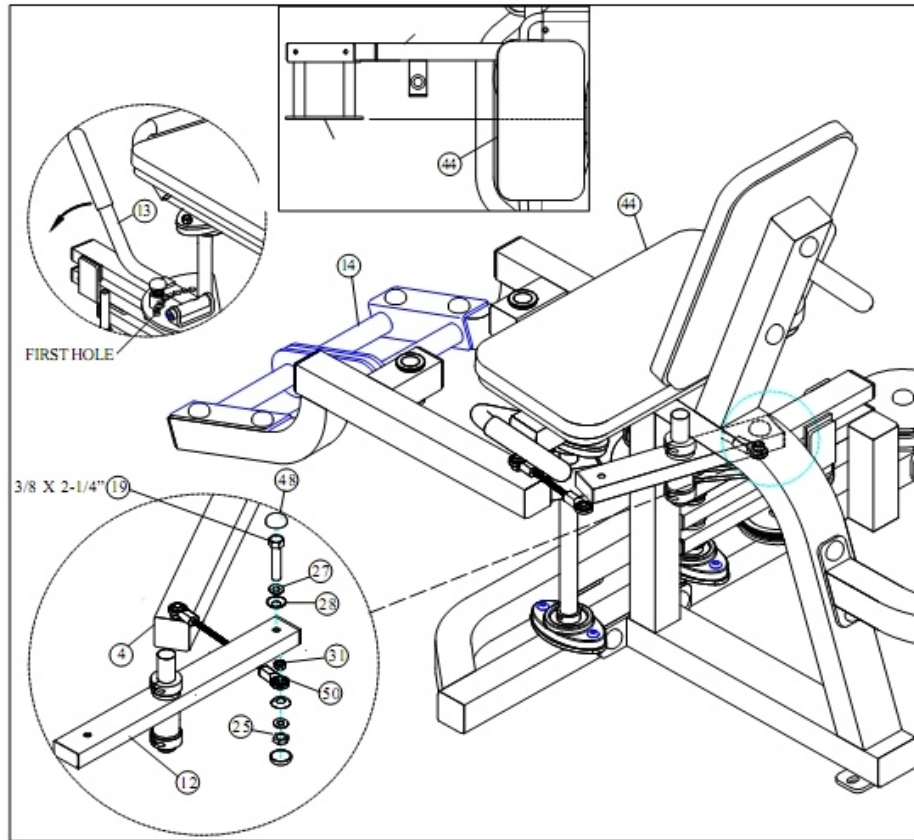
Ref #	Part Number	Qty	Description
4D	3104903	2	Bearing 1" ID 1.25" OD
7	7171599	1	SEAT FRAME
12	7175999	1	PIVOT LINK
32	3203002	4	Shaft Collar, Single Split 1 ID

Component Assembly 2



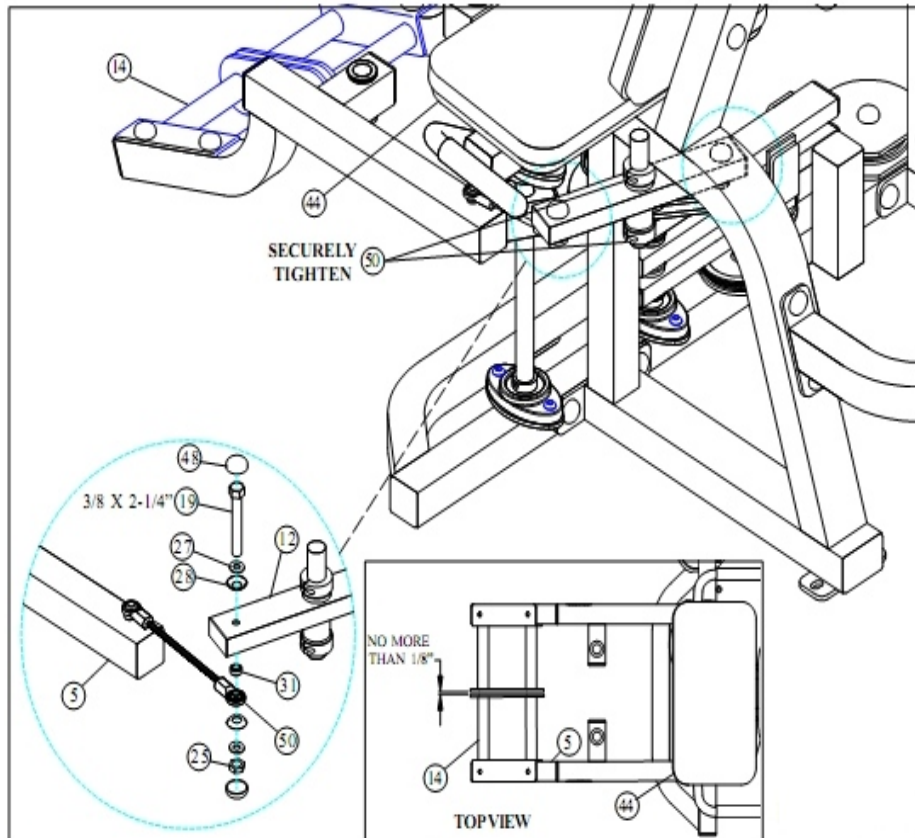
Ref #	Part Number	Qty	Description
1L	7184902	1	Cable, BC-TP1, T2, 123
1H	LEA6480301	4	Spacer; FLNG 3/8LD X5/8OD X9/16
1K	3116201	1	Pulley, 3-1/2 OD X 3/8 ID X 1
1E	3102933	2	3/8-16X2 UNS HEX FHB G2 ZN
1F	6866602	3	Cap, RH-20 White
1B	3222801	3	Pulley, 4-1/2 OD X 1/4 ID X 1
1	7171099	1	TOWER
1J	6714901	2	Bushing Guide Rod
1D	3102514	4	Hardware: Flat Washer 3/8" ID
1G	3102903	2	3/8-16 X 2-1/2 UNS HEX FHB G2 ZN
1I	3102807	4	Hardware: Nut 3/8" ID
1A	LEA6692601	3	Cap; End 3 X 2 10-14GA

Component Assembly 20



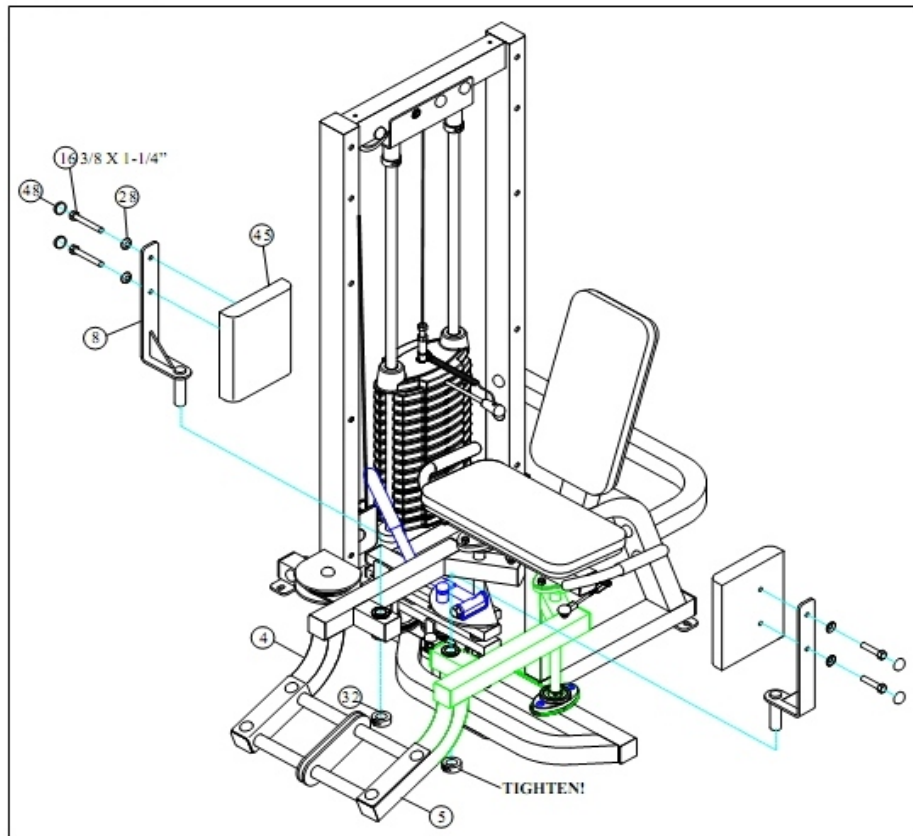
Ref #	Part Number	Qty	Description
4	7173399	1	PTD ASSY, RIGHT PIVOT ARM
12	7175999	1	PIVOT LINK
13	7176508	1	Painted Assembly, Handle CSHAA Ramsey White
13	7176537	1	Painted Assembly, Handle CSHAA Platinum
14	7177001	2	Weldment, Foot Support
19	3102902	4	3/8-16X2-1/4 UNS HEX FHB G2 ZN
25	3102807	31	Hardware: Nut 3/8" ID
27	3102514	38	Hardware: Flat Washer 3/8" ID
28	6866701	60	Washer, Right 3/8 ID
31	6122704	4	Spacer, 3/8 ID X 5/8 OD X 1/4
44	6877599	2	Pad, Stch 18-1/2 X 9-3/4 Custom
48	ACU06-0357PLAT	56	Cap - Right Plate
48	6866602	56	Cap, RH-20 White
50	3233201	4	Bearing, 3/8 Rod End

Component Assembly 21



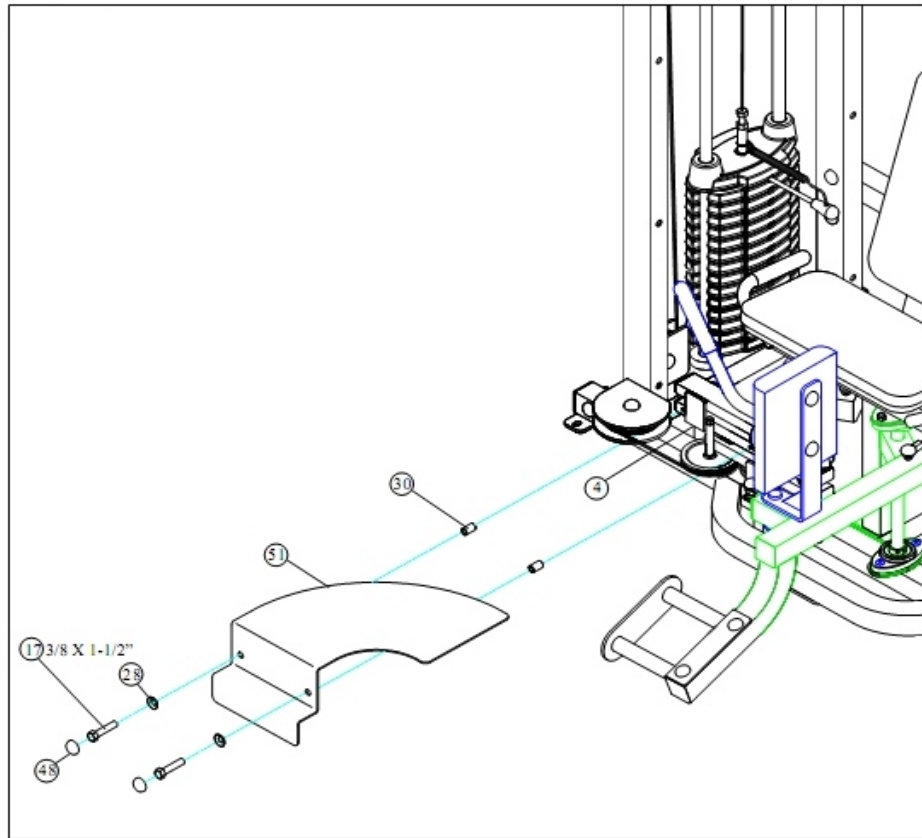
Ref #	Part Number	Qty	Description
5	7174199	1	LEFT PIVOT ARM
12	7175999	1	PIVOT LINK
14	7177001	2	Weldment, Foot Support
19	3102902	4	3/8-16X2-1/4 UNS HEX FHB G2 ZN
25	3102807	31	Hardware: Nut 3/8" ID
27	3102514	38	Hardware: Flat Washer 3/8" ID
28	6866701	60	Washer, Right 3/8 ID
31	6122704	4	Spacer, 3/8 ID X 5/8 OD X 1/4
44	6877599	2	Pad, Stch 18-1/2 X 9-3/4 Custom
48	6866602	56	Cap, RH-20 White
48	ACU06-0357PLAT	56	Cap - Right Plate
50	3233201	4	Bearing, 3/8 Rod End

Component Assembly 22



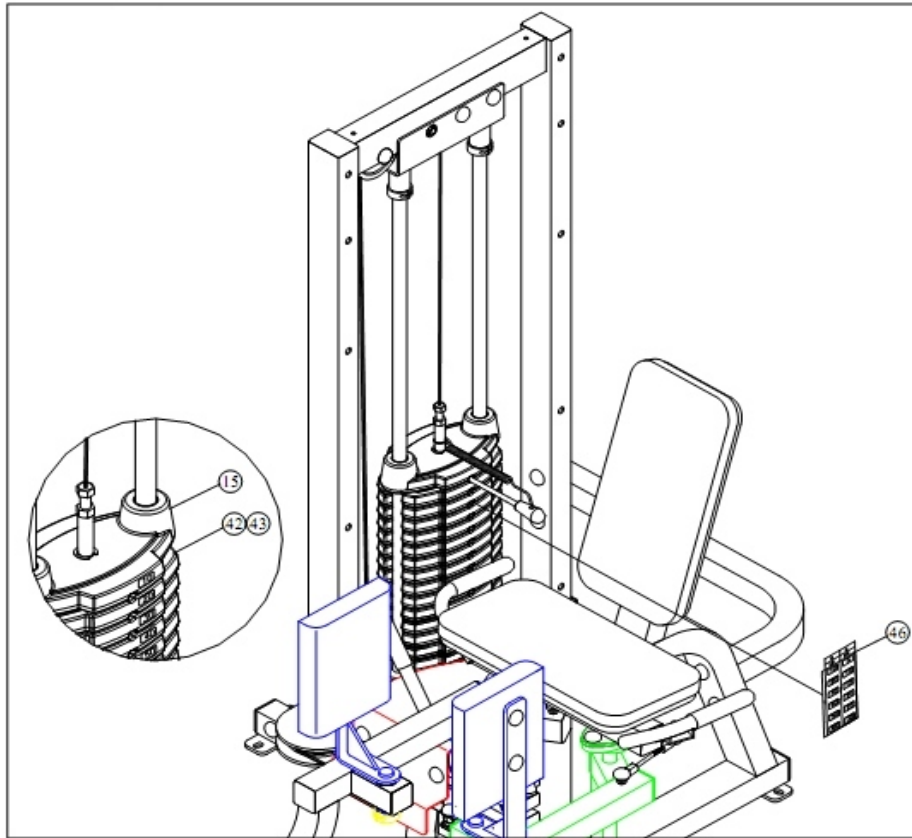
Ref #	Part Number	Qty	Description
4	7173399	1	PTD ASSY, RIGHT PIVOT ARM
5	7174199	1	LEFT PIVOT ARM
8	7176299	2	KNEE SUPPORT
16	3102901	6	3/8-16X1-1/4 UNS HEX FHB G2 ZN
28	6866701	60	Washer, Right 3/8 ID
32	3203002	4	Shaft Collar, Single Split 1 ID
45	6913299	2	Hip Pad (CS45X) Custom
48	6866602	56	Cap, RH-20 White
48	ACU06-0357PLAT	56	Cap - Right Plate

Component Assembly 23



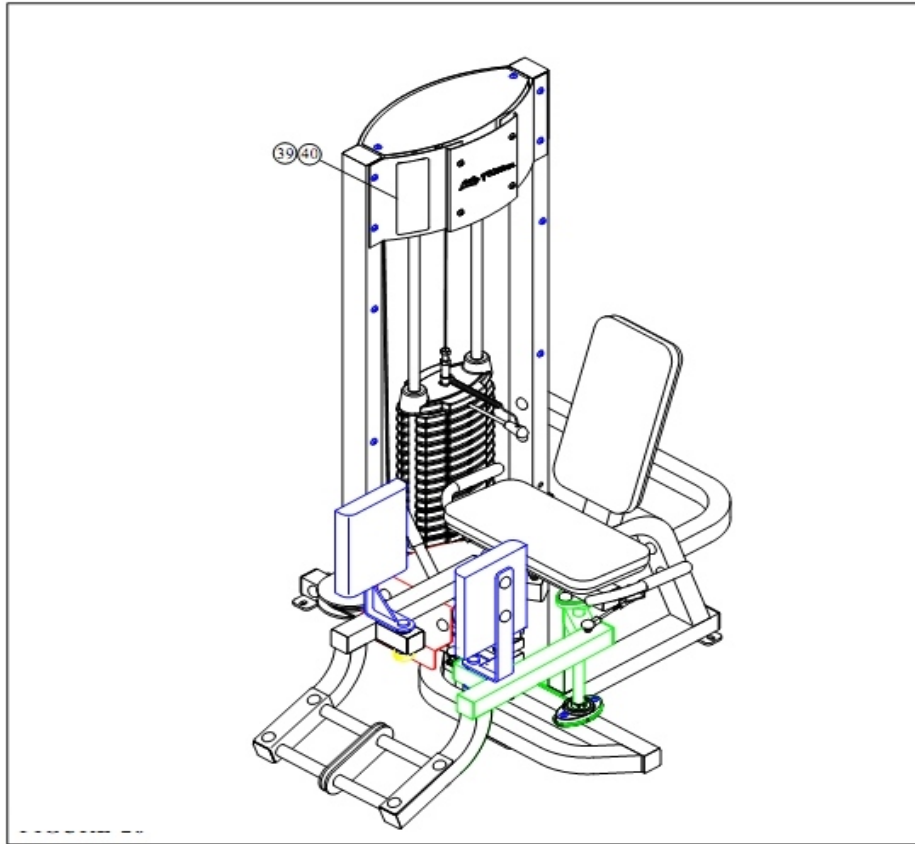
Ref #	Part Number	Qty	Description
4	7173399	1	PTD ASSY, RIGHT PIVOT ARM
17	3102941	2	3/8-16X1-1/2 UNS HEX FHB G2 ZN
28	6866701	60	Washer, Right 3/8 ID
30	LEA6122701	2	Spacer; 3/8 ID X 5/8 OD X 1
48	6866602	56	Cap, RH-20 White
48	ACU06-0357PLAT	56	Cap - Right Plate
51	7177407	1	SHROUD, CSHAA PLATINUM
51	7177408	1	NLA: SHROUD, CSHAA RMSY WHT

Component Assembly 24



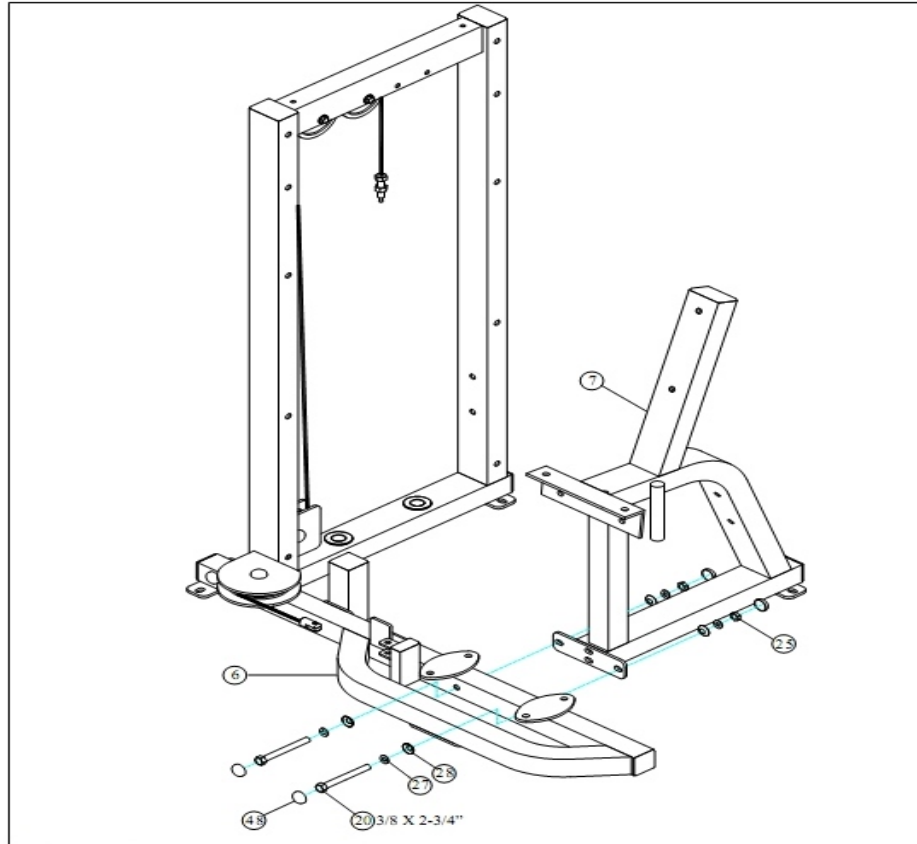
Ref #	Part Number	Qty	Description
15	6925502	1	Painted Assembly, Head Plate 20" Black
42	CSWGT-4000-101	20	Standard Weight Plate Option
43	6888402	10	ORDER CSWGT-4100-101 FROM FINISHED GOODS
46	6971601	1	Label, Stack Standard 15

Component Assembly 25



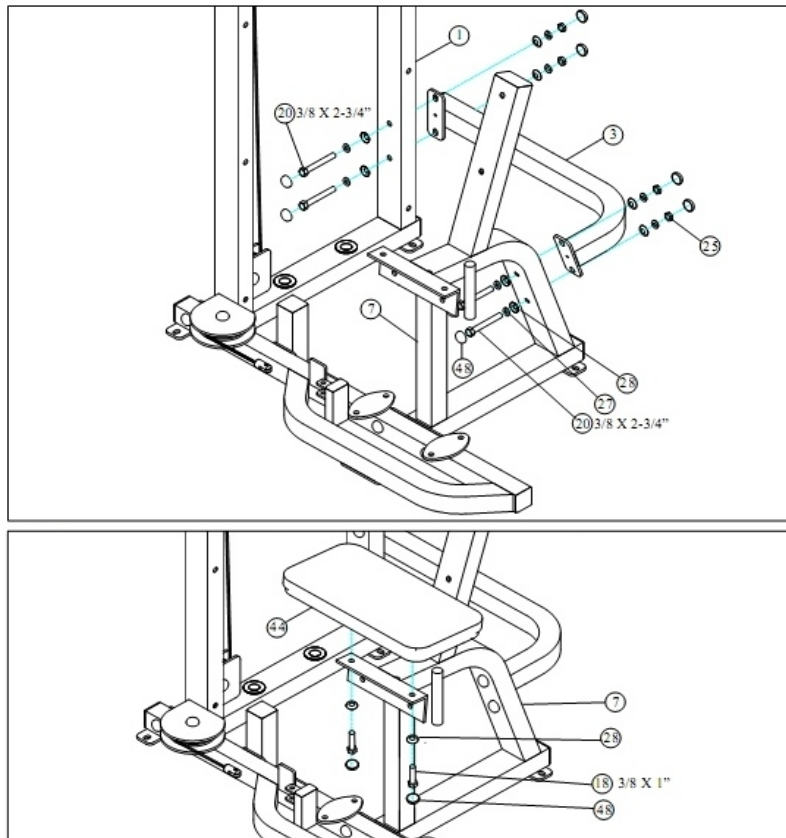
Ref #	Part Number	Qty	Description
39	7184701	1	NLA: LABEL, PLACARD CSHAA
40	7184801	1	NLA: LABEL, PLACARD LNG ADNDM CSHAA

Component Assembly 3



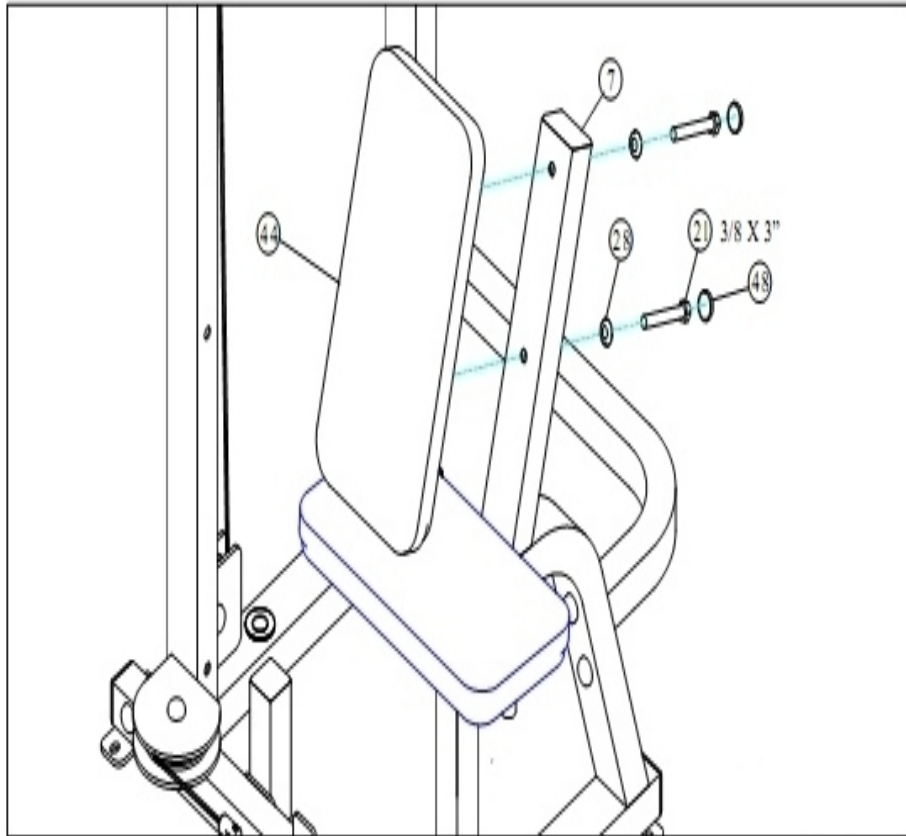
Ref #	Part Number	Qty	Description
6	7172399	1	CROSS SUPPORT
7	7171599	1	SEAT FRAME
20	3102922	11	3/8-16X2-3/4 UNS HEX FHB G2 ZN
25	3102807	31	Hardware: Nut 3/8" ID
27	3102514	38	Hardware: Flat Washer 3/8" ID
28	6866701	60	Washer, Right 3/8 ID
48	6866602	56	Cap, RH-20 White
48	ACU06-0357PLAT	56	Cap - Right Plate

Component Assembly 4



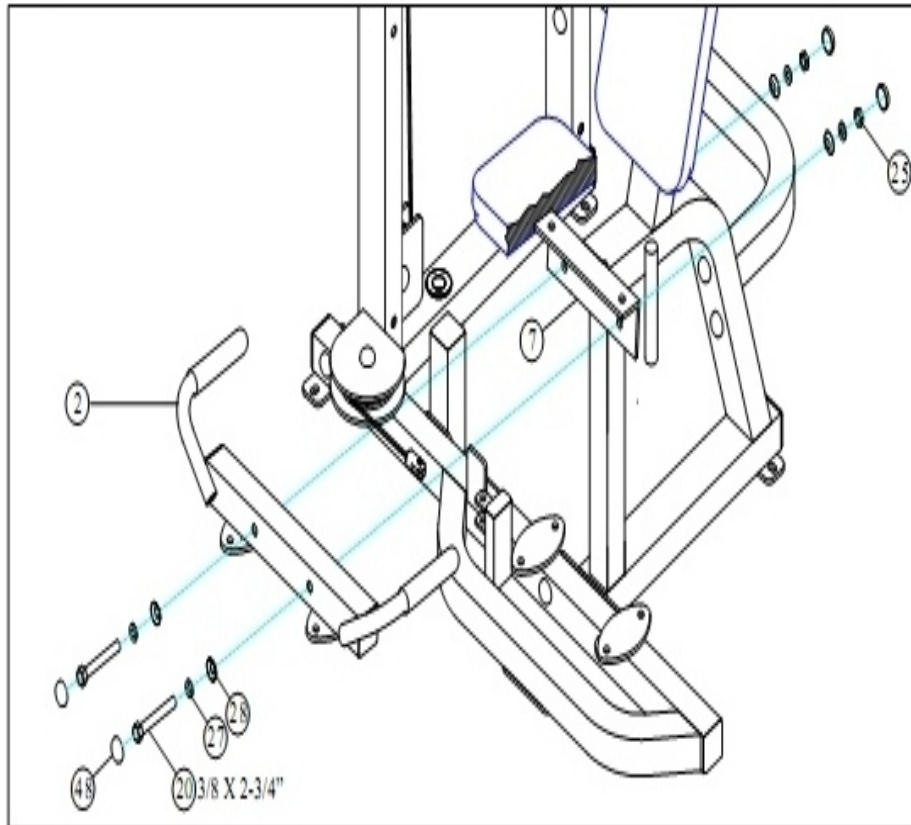
Ref #	Part Number	Qty	Description
1	7171099	1	TOWER
3	7174599	1	CROSS BRACE
7	7171599	1	SEAT FRAME
18	3102933	1	3/8-16X2 UNS HEX FHB G2 ZN
20	3102922	11	3/8-16X2-3/4 UNS HEX FHB G2 ZN
25	3102807	31	Hardware: Nut 3/8" ID
27	3102514	38	Hardware: Flat Washer 3/8" ID
28	6866701	60	Washer, Right 3/8 ID
44	6877599	2	Pad, Stch 18-1/2 X 9-3/4 Custom
48	ACU06-0357PLAT	56	Cap - Right Plate
48	6866602	56	Cap, RH-20 White

Component Assembly 5



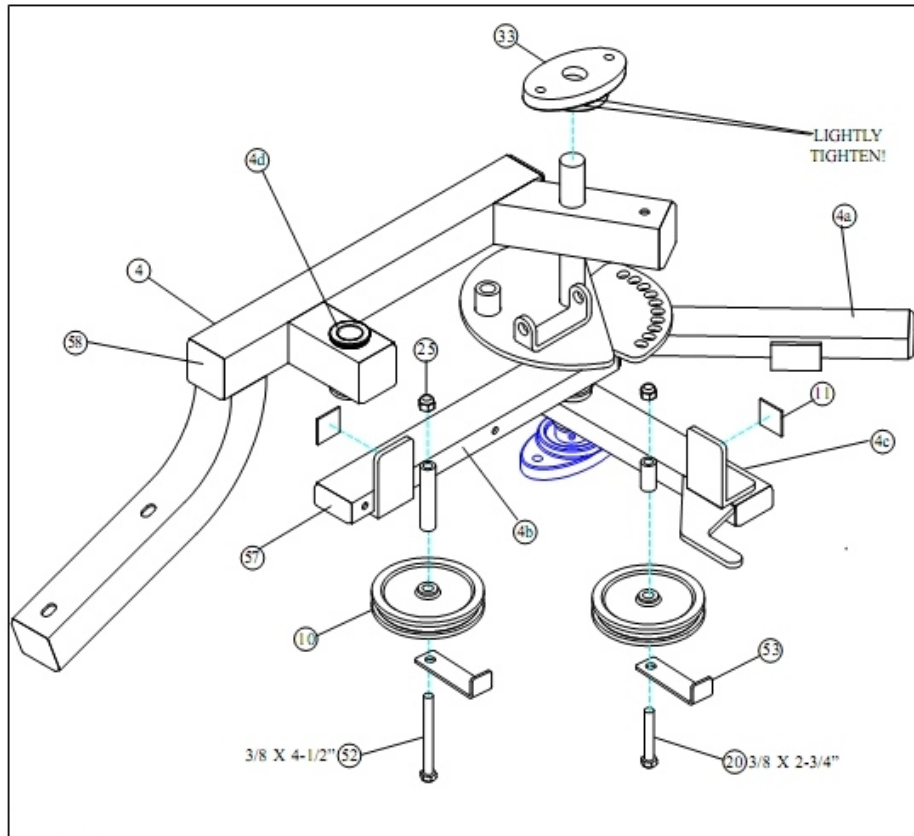
Ref #	Part Number	Qty	Description
2	7172999	1	PIVOT ARM SUPPORT
7	7171599	1	SEAT FRAME
20	3102922	11	3/8-16X2-3/4 UNS HEX FHB G2 ZN
21	LEA3102904	2	375 - 16 X 3.00 HEX Head Bolt
25	3102807	31	Hardware: Nut 3/8" ID
27	3102514	38	Hardware: Flat Washer 3/8" ID
28	6866701	60	Washer, Right 3/8 ID
44	6877599	2	Pad, Stch 18-1/2 X 9-3/4 Custom
48	ACU06-0357PLAT	56	Cap - Right Plate
48	6866602	56	Cap, RH-20 White

Component Assembly 6



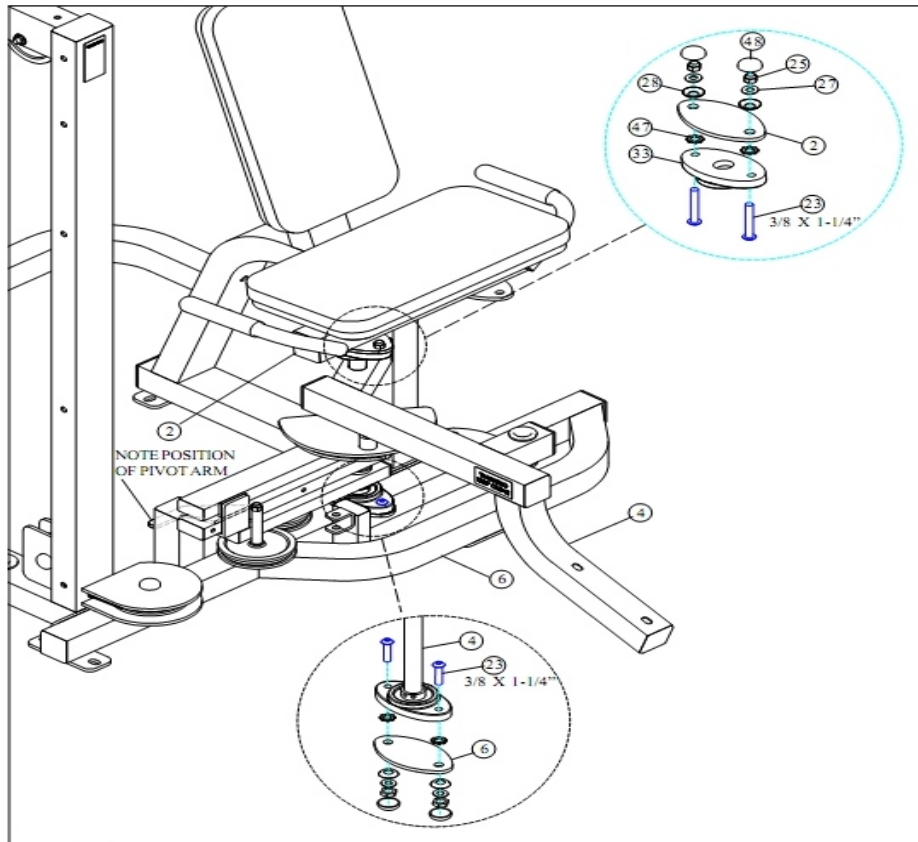
Ref #	Part Number	Qty	Description
4A	7174899	1	PTD ASSY, ADJUSTMENT ARM
4B	7175399	1	PTD ASSY, FRONT PULLEY ARM
4D	3104903	2	Bearing 1" ID 1.25" OD
4	7173399	1	PTD ASSY, RIGHT PIVOT ARM
4C	7175699	1	PTD ASSY, REAR PULLEY ARM
10	3222801	2	Pulley, 4-1/2 OD X 1/4 ID X 1
11	6140701	5	Glide 1 X 1
20	3102922	11	3/8-16X2-3/4 UNS HEX FHB G2 ZN
25	3102807	31	Hardware: Nut 3/8" ID
33	3203501	3	Assembly, Pillow Block 5.125 X2.75
52	3102935	1	3/8-16X4-1/2 UNS HEX FHB G2 ZN
53	6757701	2	Cable Clip
57	ACU06-0278	6	NLA: CAP, END 2 X 1 10-14GA
58	6405201	10	Cap, End 2 Square 10-14 GA

Component Assembly 7



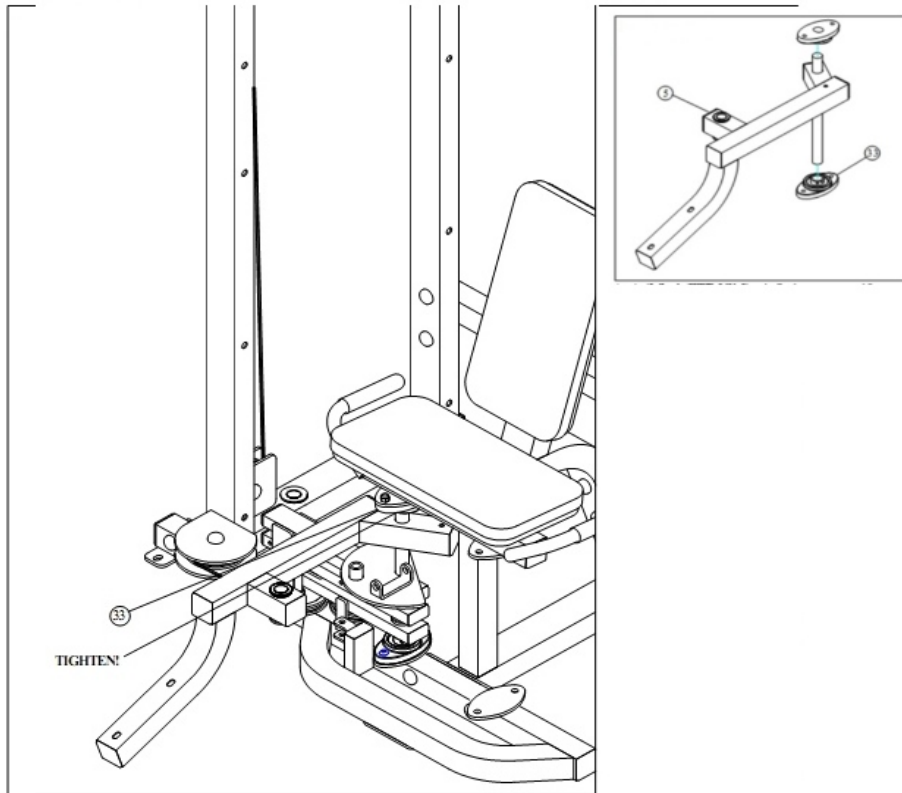
Ref #	Part Number	Qty	Description
4D	3104903	2	Bearing 1" ID 1.25" OD
4B	7175399	1	PTD ASSY, FRONT PULLEY ARM
4C	7175699	1	PTD ASSY, REAR PULLEY ARM
4	7173399	1	PTD ASSY, RIGHT PIVOT ARM
4A	7174899	1	PTD ASSY, ADJUSTMENT ARM
10	3222801	2	Pulley, 4-1/2 OD X 1/4 ID X 1
11	6140701	5	Glide 1 X 1
20	3102922	11	3/8-16X2-3/4 UNS HEX FHB G2 ZN
25	3102807	31	Hardware: Nut 3/8" ID
33	3203501	3	Assembly, Pillow Block 5.125 X2.75
52	3102935	1	3/8-16X4-1/2 UNS HEX FHB G2 ZN
53	6757701	2	Cable Clip
57	ACU06-0278	6	NLA: CAP, END 2 X 1 10-14GA
58	6405201	10	Cap, End 2 Square 10-14 GA

Component Assembly 8



Ref #	Part Number	Qty	Description
2	7172999	1	PIVOT ARM SUPPORT
4	7173399	1	PTD ASSY, RIGHT PIVOT ARM
6	7172399	1	CROSS SUPPORT
23	3202406	8	3/8-16 X1-1/4 HXS BUT CS G8 BO
25	3102807	31	Hardware: Nut 3/8" ID
27	3102514	38	Hardware: Flat Washer 3/8" ID
28	6866701	60	Washer, Right 3/8 ID
33	3203501	3	Assembly, Pillow Block 5.125 X2.75
47	3230701	8	Washer .391-.683-036 EX-D ST BZ
48	6866602	56	Cap, RH-20 White
48	ACU06-0357PLAT	56	Cap - Right Plate

Component Assembly 9



Ref #	Part Number	Qty	Description
5	7174199	1	LEFT PIVOT ARM
33	3203501	3	Assembly, Pillow Block 5.125 X2.75

Miscellaneous

Ref #	Part Number	Qty	Description
1M	6793001	1	Label, Product Warning 2"
-	6411701	1	Guide, Plunger 3/4-10 X 5/8
-	6866602	1	Cap, RH-20 White
-	LEA6411801	1	Spring; Pop Pin 3/8 Diameter X 2-3
-	ACU06-0357PLAT	1	Cap - Right Plate
-	6411601	1	Pin, Plunger 3/8 Diameter X 2-3/4
-	3102807	1	Hardware: Nut 3/8" ID
-,1C	6866701	4	Washer, Right 3/8 ID

