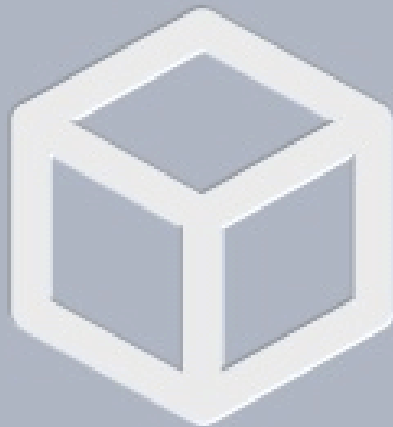


Club Series - Leg Extension

CSLE

Parts Manual

1/5/2019 13:09:31 PM

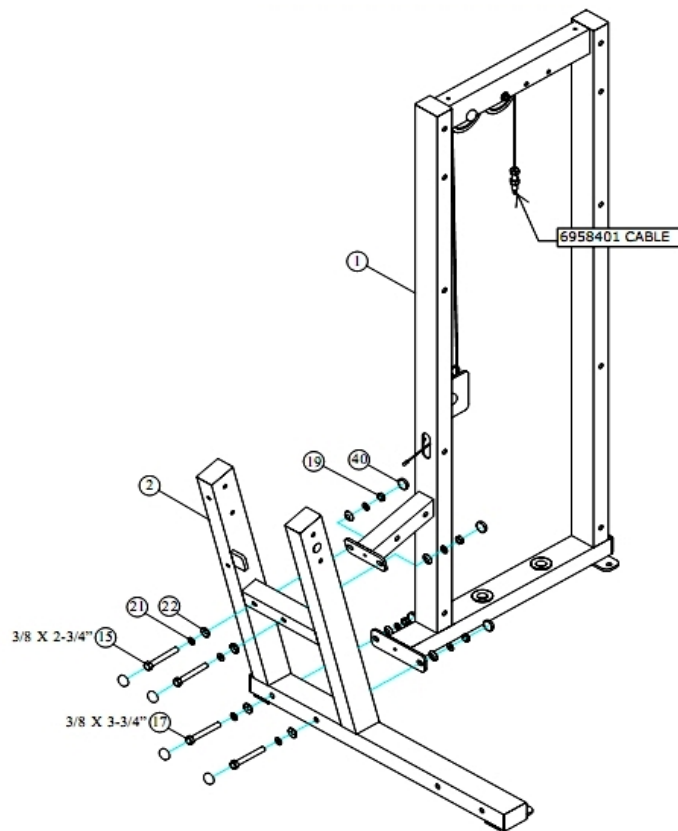


NO IMAGE AVAILABLE

Table of Contents

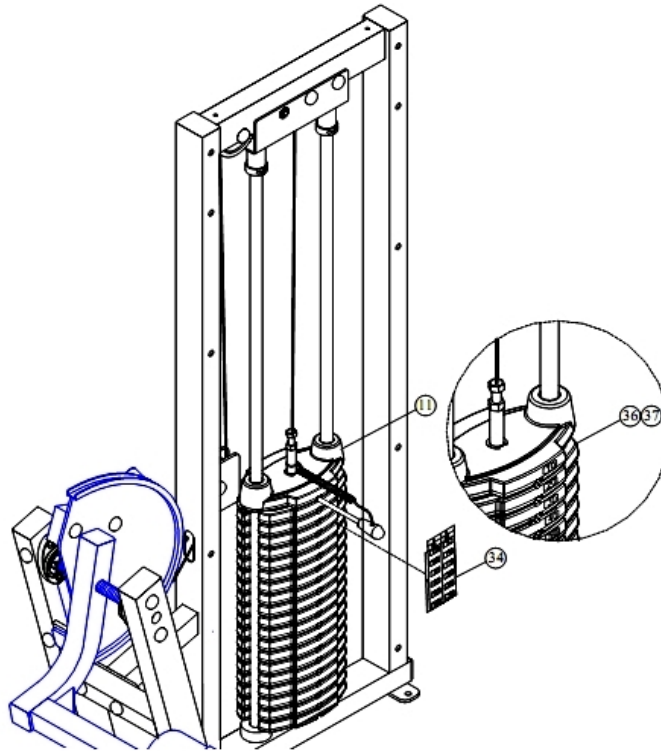
[Component Assembly 1](#).....3
[Component Assembly 10](#).....4
[Component Assembly 11](#).....5
[Component Assembly 12](#).....6
[Component Assembly 13](#).....7
[Component Assembly 2](#).....8
[Component Assembly 3](#).....9
[Component Assembly 4](#).....10
[Component Assembly 5](#).....11
[Component Assembly 6](#).....12
[Component Assembly 7](#).....13
[Component Assembly 8](#).....14
[Component Assembly 9](#).....15
[Tibia Assembly](#).....16
[Workarm Assembly](#).....17

Component Assembly 1



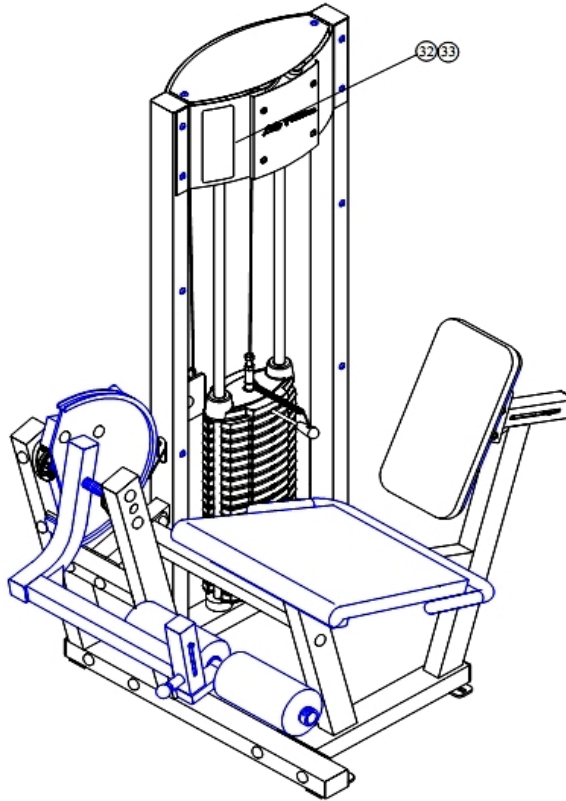
Ref #	Part Number	Qty	Description
1	6951799	1	TOWER
2	6950999	1	ASSY PIVOT ARM SUPPORT
15	3102922	13	3/8-16X2-3/4 UNS HEX FHB G2 ZN
17	3102905	4	3/8-16 X 3-3/4 UNS HEX FHB G2 ZN
19	3102807	24	Hardware: Nut 3/8" ID
21	3102514	36	Hardware: Flat Washer 3/8" ID
22	6866701	49	Washer, Right 3/8 ID
40	6866602	43	Cap, RH-20 White
40	ACU06-0357PLAT	43	Cap - Right Plate
-	6958401	1	Cable, BE-TP1, T3, 102

Component Assembly 11



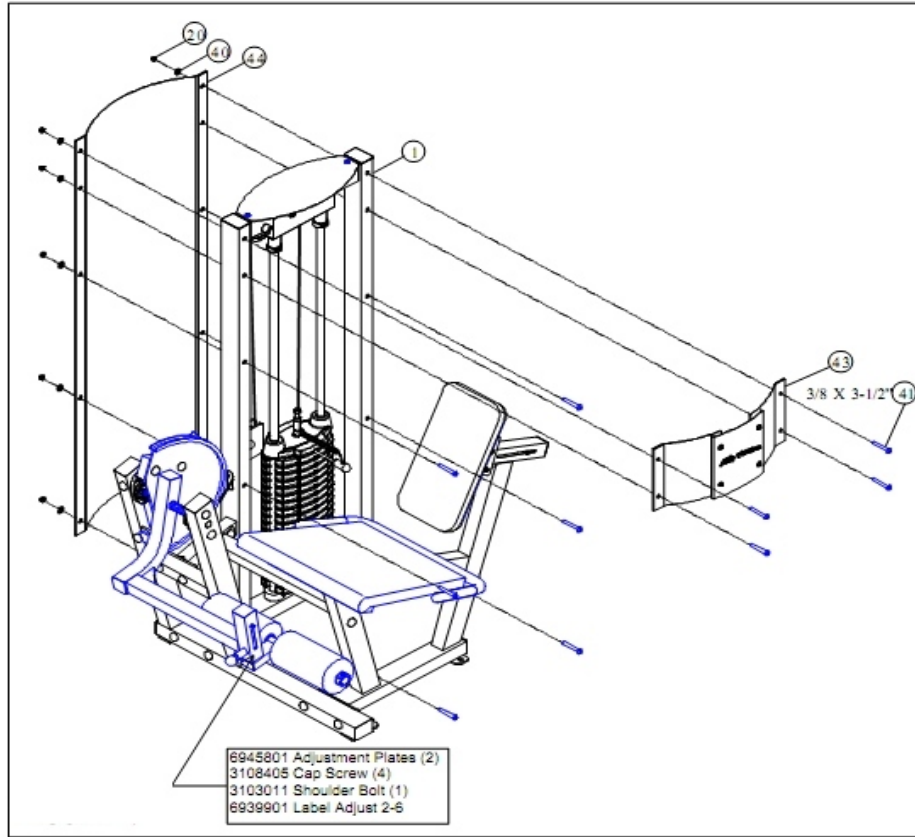
Ref #	Part Number	Qty	Description
11	6923699	1	HEAD PLATE
34	6957001	1	Label, Stack Standard 20

Component Assembly 12



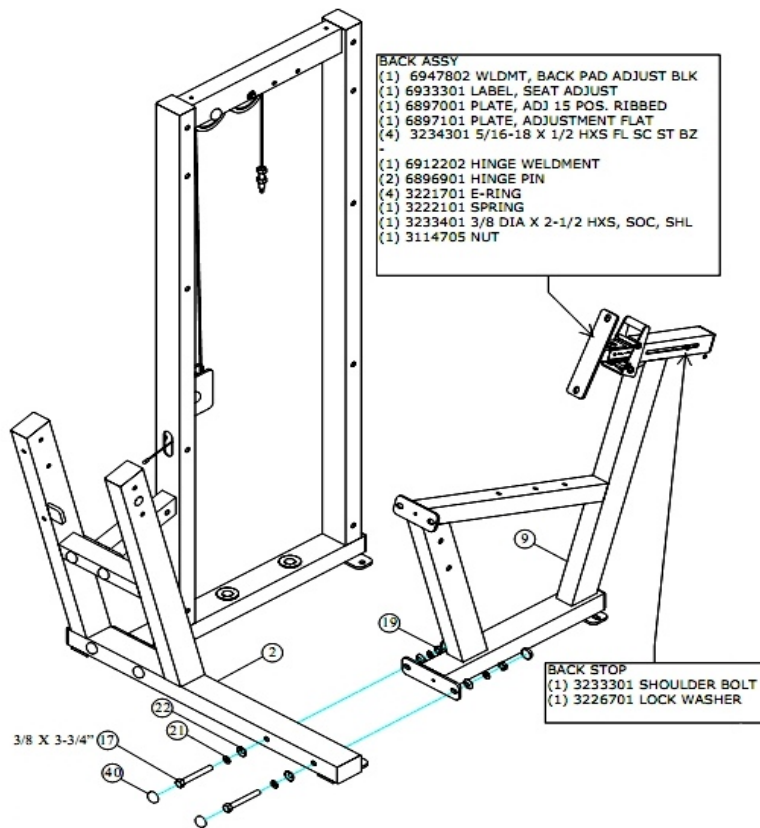
Ref #	Part Number	Qty	Description
1	6951799	1	TOWER
20	3230701	4	Washer .391-.683-036 EX-D ST BZ
32	6966101	1	NLA: LABEL, PLACARD CSLE
33	6966201	1	LABEL, PLACARD LNG ADNDM CSLE

Component Assembly 13



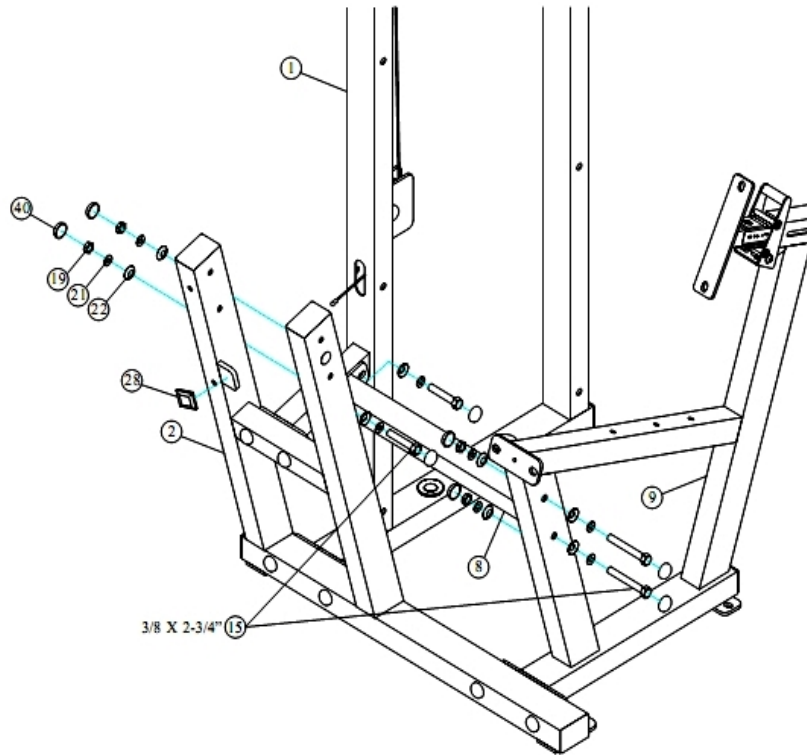
Ref #	Part Number	Qty	Description
20	3230701	4	Washer .391-.683-036 EX-D ST BZ

Component Assembly 2



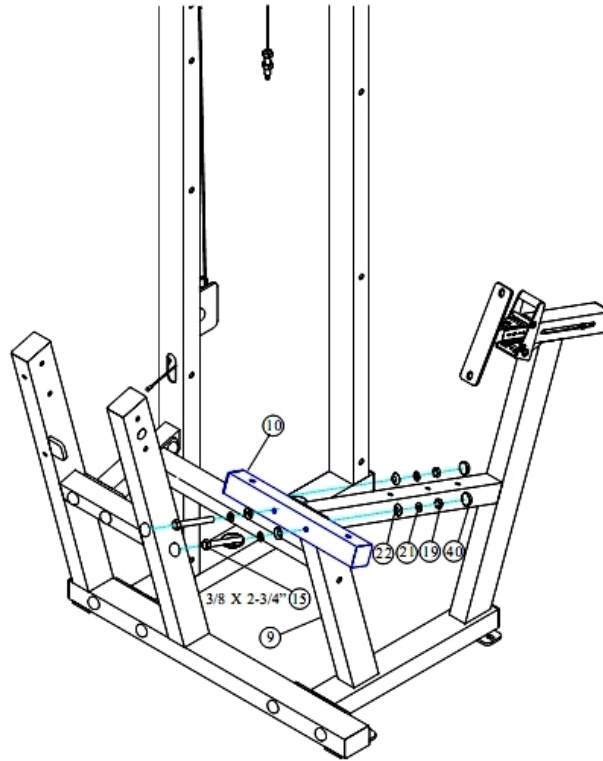
Ref #	Part Number	Qty	Description
2	6950999	1	ASSY PIVOT ARM SUPPORT
9	6948399	1	SEAT FRAME
17	3102905	4	3/8-16 X 3-3/4 UNS HEX FHB G2 ZN
19	3102807	24	Hardware: Nut 3/8" ID
21	3102514	36	Hardware: Flat Washer 3/8" ID
22	6866701	49	Washer, Right 3/8 ID
40	6866602	43	Cap, RH-20 White
40	ACU06-0357PLAT	43	Cap - Right Plate
-	3233301	1	5/16 Diameter X 1/2 HXS, SOC, SHL
-	3234301	4	5/16-18 X 1/2 HXS FL SC ST BZ
-	6912202	1	Weldment, Hinge Black
-	6947802	1	WLDMT, BACK PAD ADJUST BLK
-	3233401	1	
-	6933301	1	Label, Seat Adjust
-	3114705	2	Nut, Nylock 5/16-18 BZ
-	6897101	1	Plate, Adjustment 10.594
-	6897001	1	Plate, Adjustment 15 Positions
-	6896901	2	Pin, Hinge 3/8 Diameter X 2-13/16
-	3221701	4	E-Ring, External 3/8
-	3222101	1	SPRING, .480 DIA X .081 X1-7/8

Component Assembly 3



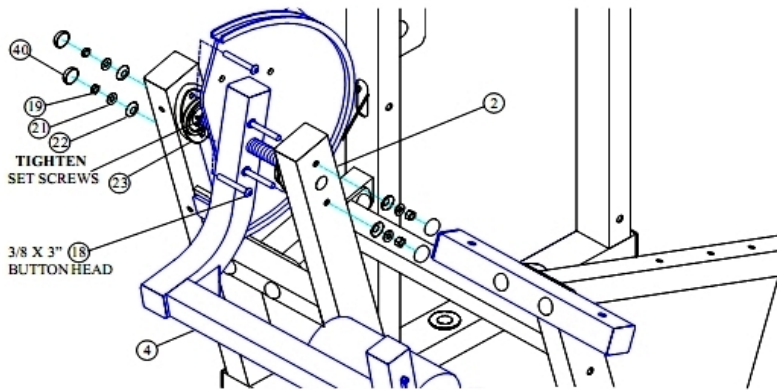
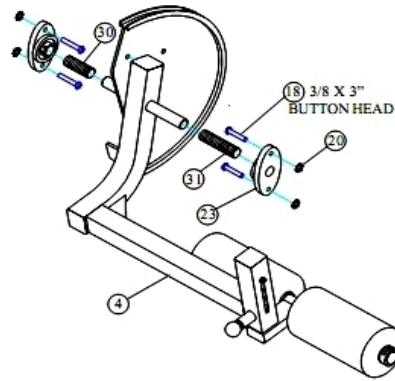
Ref #	Part Number	Qty	Description
1	6951799	1	TOWER
2	6950999	1	ASSY PIVOT ARM SUPPORT
8	6962399	1	WLDMT, CROSS SUPPORT
9	6948399	1	SEAT FRAME
15	3102922	13	3/8-16X2-3/4 UNS HEX FHB G2 ZN
19	3102807	24	Hardware: Nut 3/8" ID
21	3102514	36	Hardware: Flat Washer 3/8" ID
22	6866701	49	Washer, Right 3/8 ID
28	LEA3104301	1	Bumper; Rubber 3/4 SQ
40	ACU06-0357PLAT	43	Cap - Right Plate
40	6866602	43	Cap, RH-20 White

Component Assembly 4



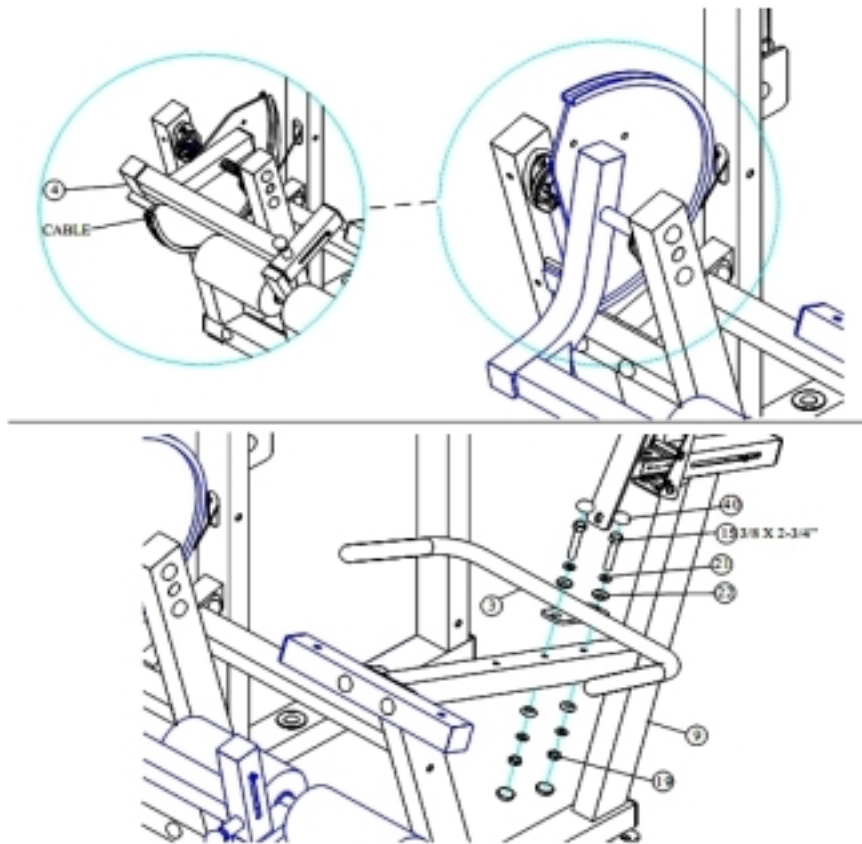
Ref #	Part Number	Qty	Description
9	6948399	1	SEAT FRAME
10	6945099	1	16? TUBE
15	3102922	13	3/8-16X2-3/4 UNS HEX FHB G2 ZN
19	3102807	24	Hardware: Nut 3/8" ID
21	3102514	36	Hardware: Flat Washer 3/8" ID
22	6866701	49	Washer, Right 3/8 ID
40	ACU06-0357PLAT	43	Cap - Right Plate
40	6866602	43	Cap, RH-20 White

Component Assembly 5



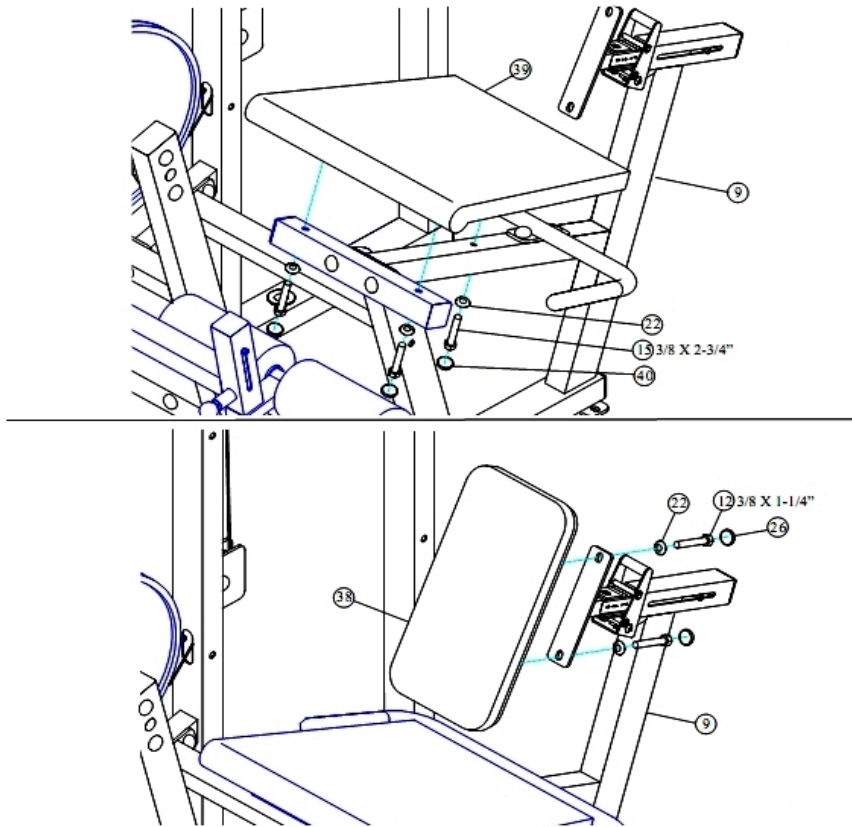
Ref #	Part Number	Qty	Description
2	6950999	1	ASSY PIVOT ARM SUPPORT
4	6964699	1	ASSY PIVOT ARM
18	3202404	4	3/8-16 X 3 HXS BUT CS G8 BO
19	3102807	24	Hardware: Nut 3/8" ID
20	3230701	4	Washer .391-.683-036 EX-D ST BZ
21	3102514	36	Hardware: Flat Washer 3/8" ID
22	6866701	49	Washer, Right 3/8 ID
23	3203501	2	Assembly, Pillow Block 5.125 X2.75
30	6912801	1	Sleeve, Accordion 1.0 ID X2.00
31	6912803	1	NLA: SLEEVE, ACCORDION 1.0 ID X3.00
40	6866602	43	Cap, RH-20 White
40	ACU06-0357PLAT	43	Cap - Right Plate

Component Assembly 6



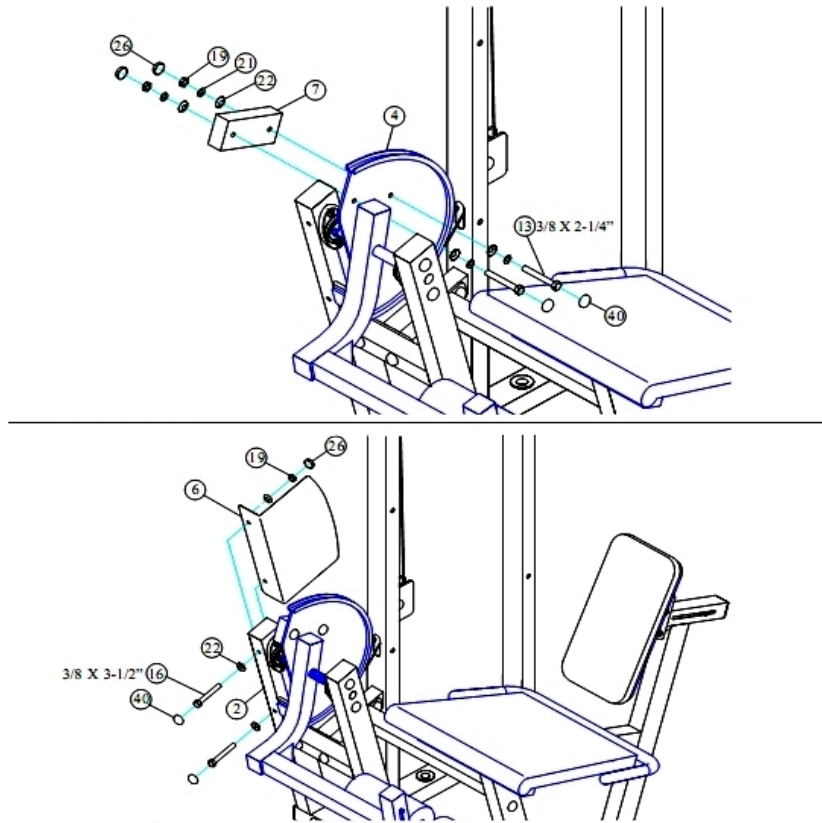
Ref #	Part Number	Qty	Description
3	6950299	1	ASSY HANDLE
4	6964699	1	ASSY PIVOT ARM
9	6948399	1	SEAT FRAME
15	3102922	13	3/8-16X2-3/4 UNS HEX FHB G2 ZN
19	3102807	24	Hardware: Nut 3/8" ID
21	3102514	36	Hardware: Flat Washer 3/8" ID
22	6866701	49	Washer, Right 3/8 ID
40	6866602	43	Cap, RH-20 White
40	ACU06-0357PLAT	43	Cap - Right Plate

Component Assembly 7



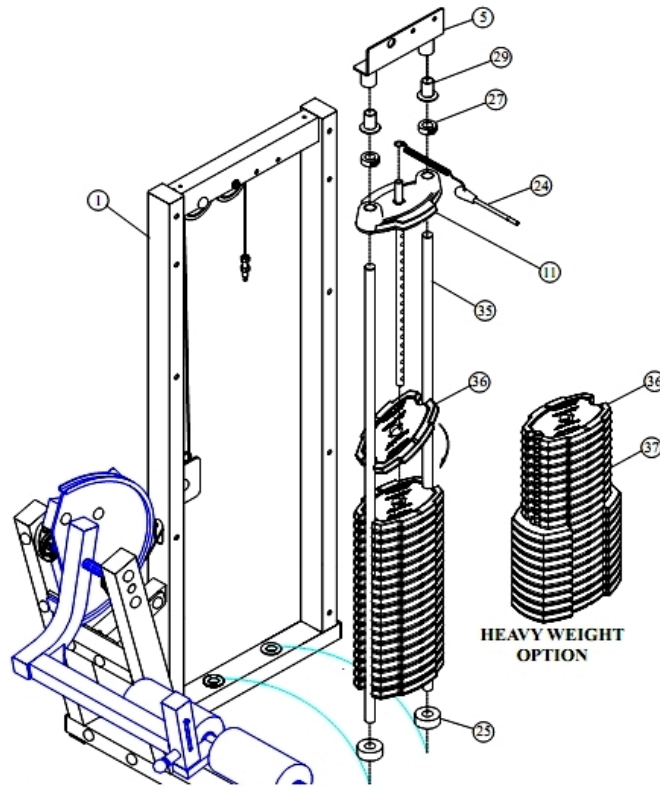
Ref #	Part Number	Qty	Description
9	6948399	1	SEAT FRAME
12	3102901	2	3/8-16X1-1/4 UNS HEX FHB G2 ZN
15	3102922	13	3/8-16X2-3/4 UNS HEX FHB G2 ZN
22	6866701	49	Washer, Right 3/8 ID
26	6866601	6	Cap, RH-20 Black
38	6877599	1	Pad, Stch 18-1/2 X 9-3/4 Custom
39	6957499	1	Custom
40	ACU06-0357PLAT	43	Cap - Right Plate
40	6866602	43	Cap, RH-20 White

Component Assembly 8



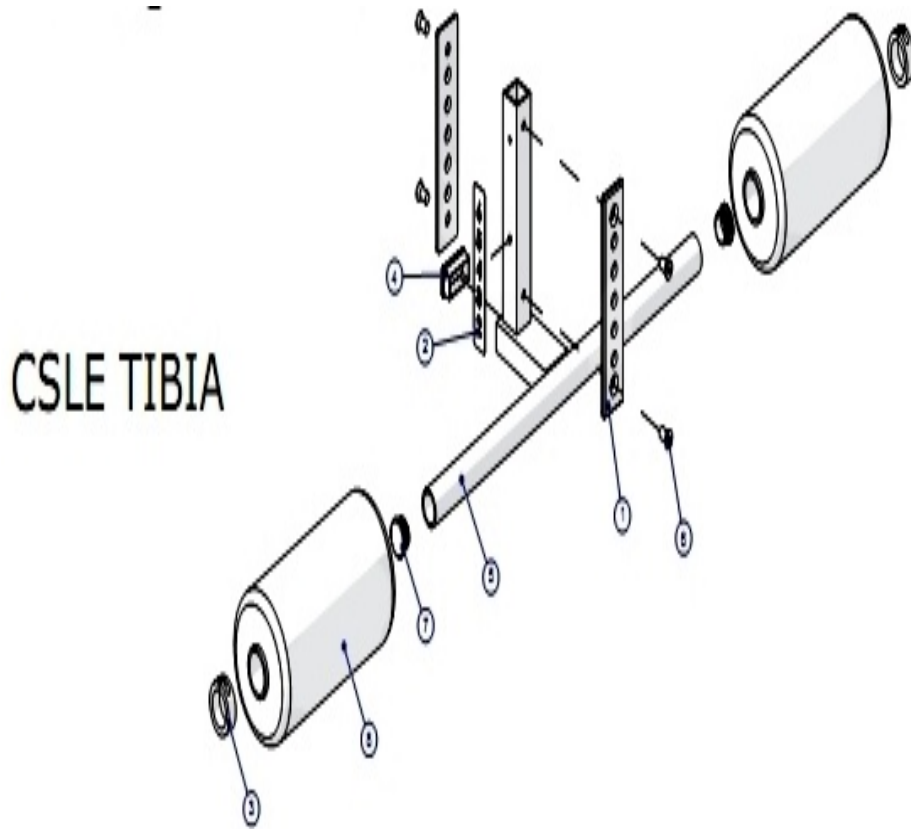
Ref #	Part Number	Qty	Description
2	6950999	1	ASSY PIVOT ARM SUPPORT
4	6964699	1	ASSY PIVOT ARM
6	6952999	1	CAM SHROUD BLK
7	6962299	1	COUNTERBALANCE
13	3102902	2	3/8-16X2-1/4 UNS HEX FHB G2 ZN
16	3102942	2	
19	3102807	24	Hardware: Nut 3/8" ID
21	3102514	36	Hardware: Flat Washer 3/8" ID
22	6866701	49	Washer, Right 3/8 ID
26	6866601	6	Cap, RH-20 Black
40	6866602	43	Cap, RH-20 White
40	ACU06-0357PLAT	43	Cap - Right Plate

Component Assembly 9



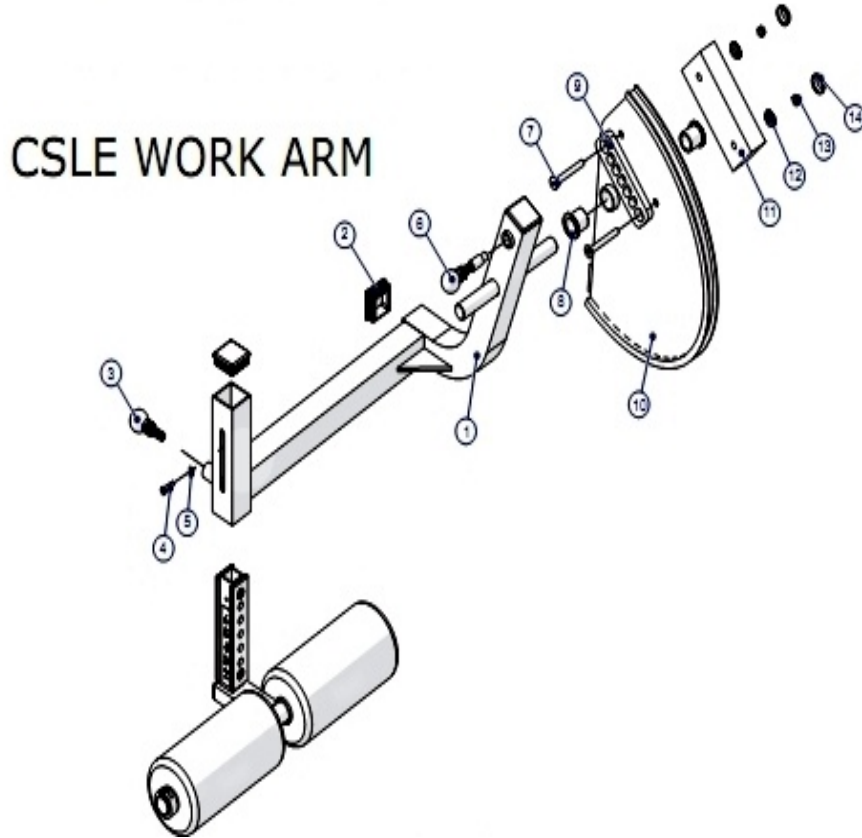
Ref #	Part Number	Qty	Description
1	6951799	1	TOWER
5	6883999	1	*GUIDE ROD SUPPORT
11	6923699	1	HEAD PLATE
24	LEA7622001	1	Assembly; Selector Pin
25	3108001	2	Cushion Weight Stack
27	3222001	2	Collar, Shaft 1 ID Black Plastic
29	6714901	2	Bushing Guide Rod
35	6927001	2	Plated Assembly, Guide Rod 60" Lg
36	CSWGT-4000-101	15	Standard Weight Plate Option
37	6888402	5	ORDER CSWGT-4100-101 FROM FINISHED GOODS

Tibia Assembly



Ref #	Part Number	Qty	Description
1	6945801	2	Plate, Adjust 7-1/2
2	6939901	1	LABEL, ADJUST 2-6
3	3222701	2	Shaft Collar, 1-1/4ID Black Plastic
4	LEA3102416	1	Cap; End 2 X 1 10-14GA
5	6946102	1	Weldment, Roller Pad Support Black
6	3234301	4	5/16-18 X 1/2 HXS FL SC ST BZ
7	3119303	2	End Cap
8	6946901	2	Pad, Roller 1-1/4 ID X 5 OD X10

Workarm Assembly



Ref #	Part Number	Qty	Description
1	6945208	1	WLDMT, ADJ PIVOT ARM (LE) RYWT
1	6945207	1	WLDMT, ADJ PIVOT ARM (LE) PLAT
2	6405201	3	Cap, End 2 Square 10-14 GA
3	6412001	1	Assembly, Spring Pin 3/8 Diameter X 2.75
4	3233301	1	5/16 Diameter X 1/2 HXS, SOC, SHL
5	3226701	1	Washer, Lock 1/4 ID SAE Heavy BZ McMaster #91104A0
6	6466901	1	Assembly, Spring Pin 1/2 Diameter X 3.5
7	3108403	2	
8	3104903	2	Bearing 1" ID 1.25" OD
9	6996801	1	PLATE, 1/2 X 2 X 6
10	6952408	1	WLDMT, ADJ CAM (LE) RMSY WHT
10	6952407	1	WLDMT, ADJ CAM (LE) PLATINUM
11	6962202	1	COUNTER BALANCE,3X 1-1/2X 7BLK
12	6866701	2	Washer, Right 3/8 ID
13	3102807	2	Hardware: Nut 3/8" ID
14	6866601	2	Cap, RH-20 Black
14	6866602	2	Cap, RH-20 White
14	ACU06-0357PLAT	2	Cap - Right Plate

