

Club Series - Olympic Incline Bench

CSOIB

Parts Manual

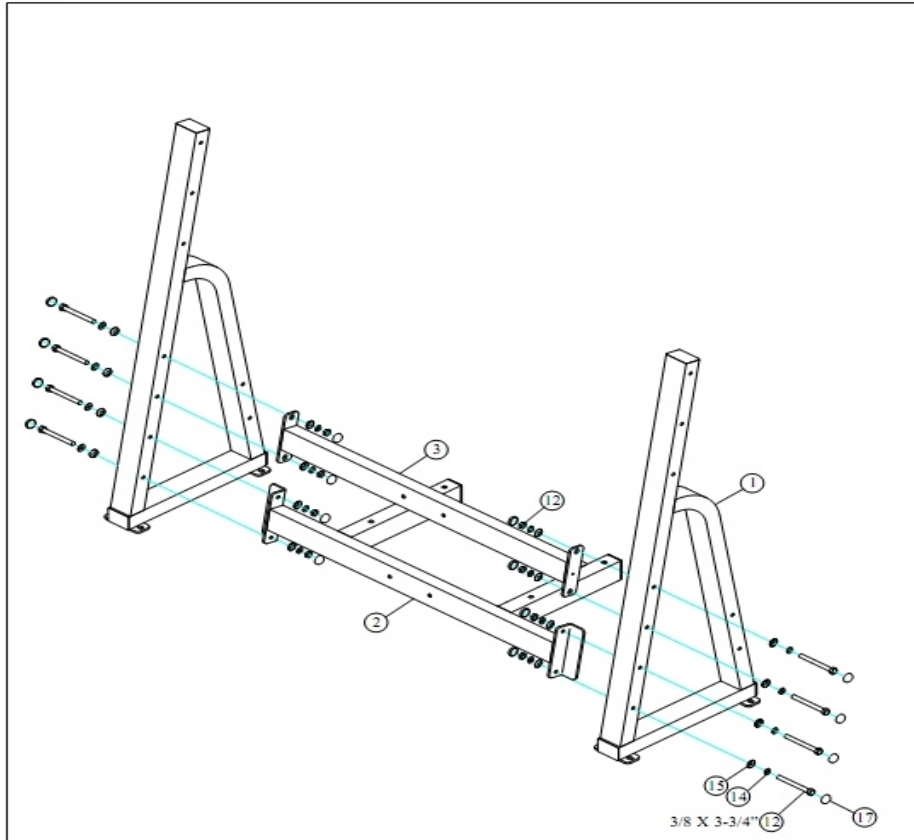
1/5/2019 13:12:22 PM



Table of Contents

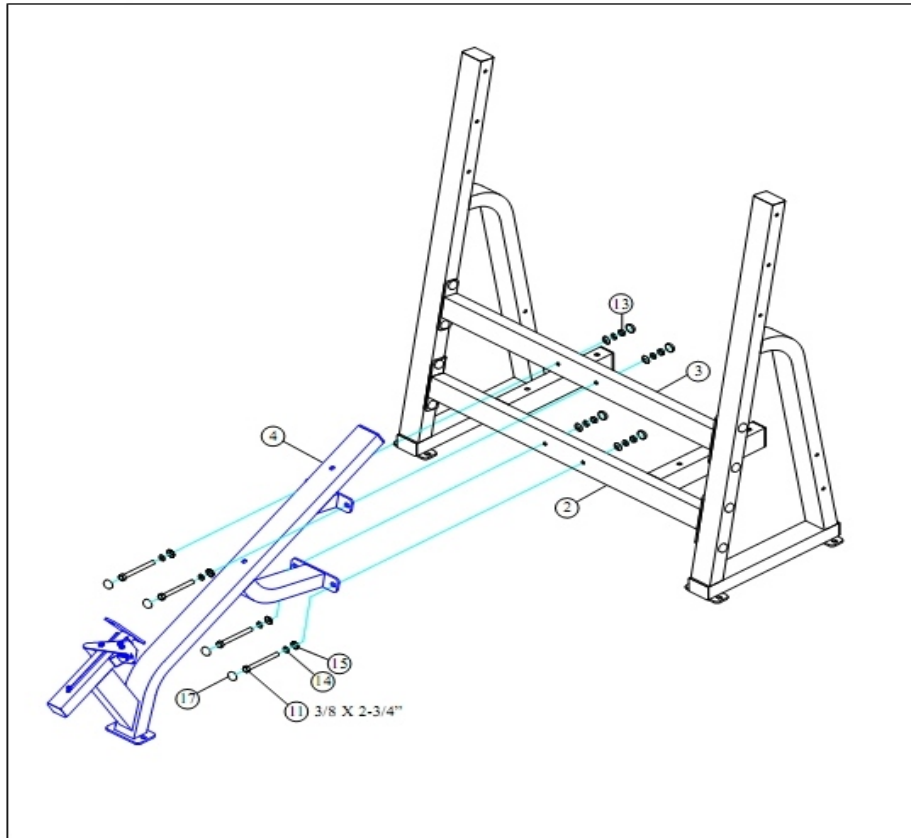
[Component Assembly 1](#).....3
[Component Assembly 2](#).....4
[Component Assembly 3](#).....5
[Component Assembly 4](#).....6
[Component Assembly 5](#).....7
[Component Assembly 6](#).....8
[Miscellaneous](#).....9

Component Assembly 1



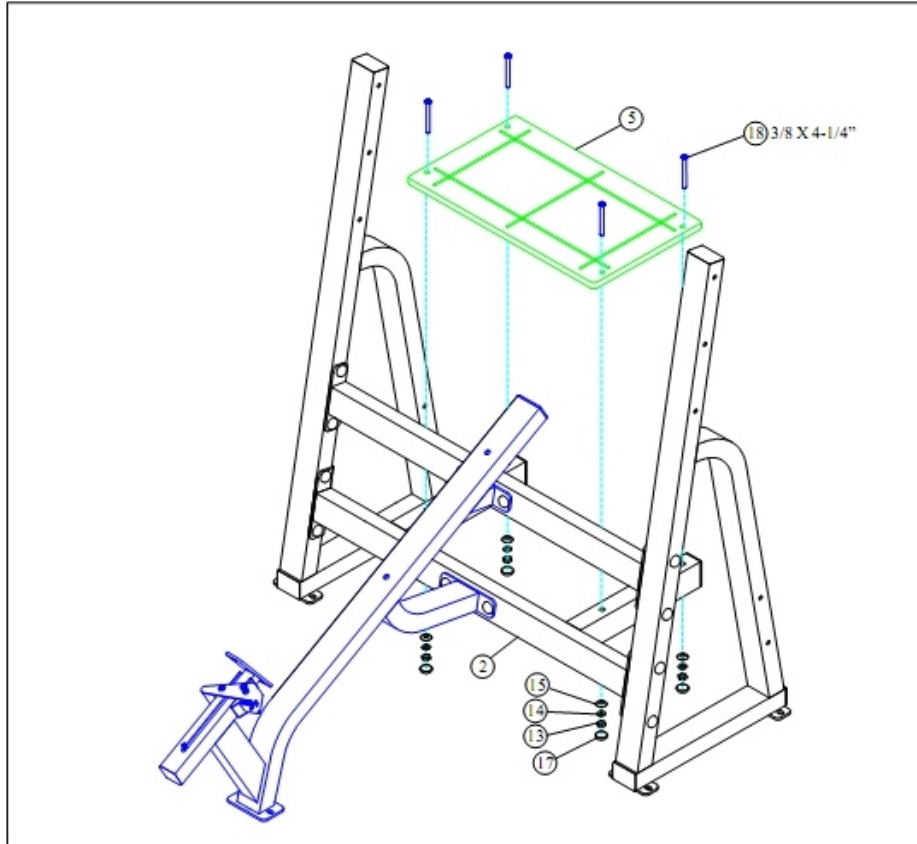
Ref #	Part Number	Qty	Description
1	ACUAP04-0022-L PLT	1	PTD ASSY, UPRIGHT LEFT PLT
1	ACUAP04-0022-R PLT	1	PTD ASSY, UPRIGHT RIGHT PLT
1	ACUAP04-0022-L WHT	1	PTD ASSY, UPRIGHT LEFT WHT
1	ACUAP04-0022-R WHT	1	PTD ASSY, UPRIGHT RIGHT WHT
2	ACUAP04-0024 PLT	1	PTD ASSY, SPOTTER PLATFORM PLT
2	ACUAP04-0024 WHT	1	PTD ASSY, SPOTTER PLATFORM WHT
3	ACUP04-0008 PLT	1	PTD ASSY, CROSS BRACE PLT
3	ACUP04-0008 WHT	1	PTD ASSY, CROSS BRACE WHT
12	3102905	18	3/8-16 X 3-3/4 UNS HEX FHB G2 ZN
14	3102514	48	Hardware: Flat Washer 3/8" ID
15	6866701	52	Washer, Right 3/8 ID
17	ACU06-0357PLAT	42	Cap - Right Plate
17	6866602	42	Cap, RH-20 White

Component Assembly 2



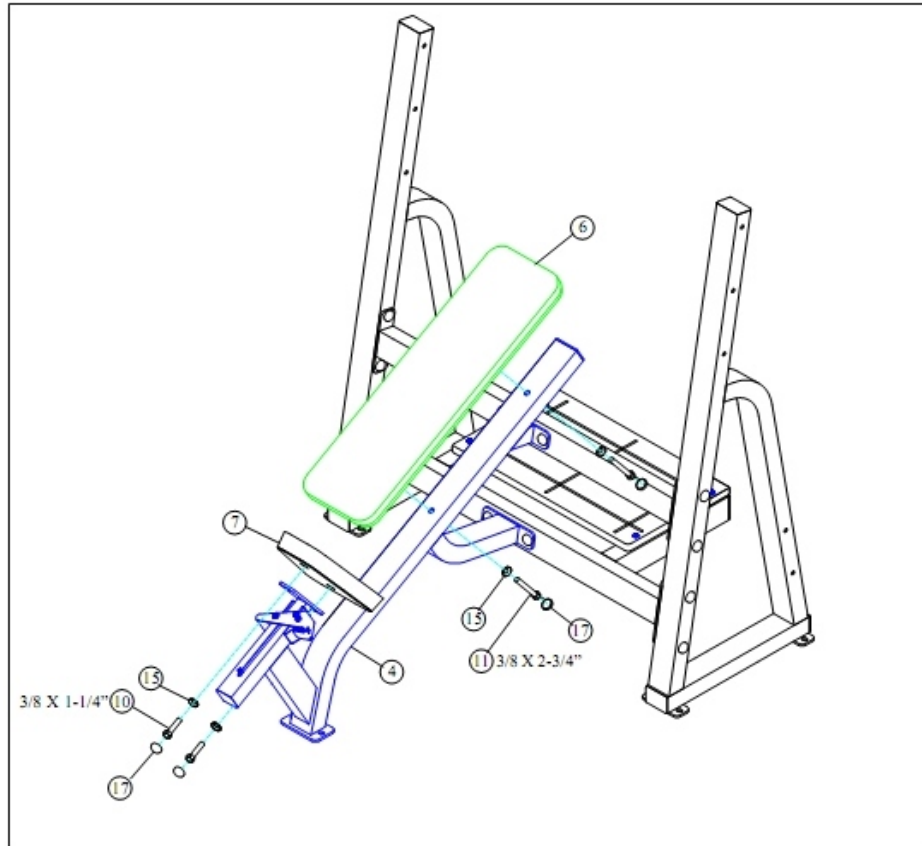
Ref #	Part Number	Qty	Description
2	ACUAP04-0024 PLT	1	PTD ASSY, SPOTTER PLATFORM PLT
2	ACUAP04-0024 WHT	1	PTD ASSY, SPOTTER PLATFORM WHT
3	ACUP04-0008 PLT	1	PTD ASSY, CROSS BRACE PLT
3	ACUP04-0008 WHT	1	PTD ASSY, CROSS BRACE WHT
4	ACUAP04-0025 WHT	1	PTD ASSY, BENCH FRAME WHT
4	ACUAP04-0025 PLT	1	PTD ASSY, BENCH FRAME PLT
11	3102922	6	3/8-16X2-3/4 UNS HEX FHB G2 ZN
13	3102807	26	Hardware: Nut 3/8" ID
14	3102514	48	Hardware: Flat Washer 3/8" ID
15	6866701	52	Washer, Right 3/8 ID
17	ACU06-0357PLAT	42	Cap - Right Plate
17	6866602	42	Cap, RH-20 White

Component Assembly 3



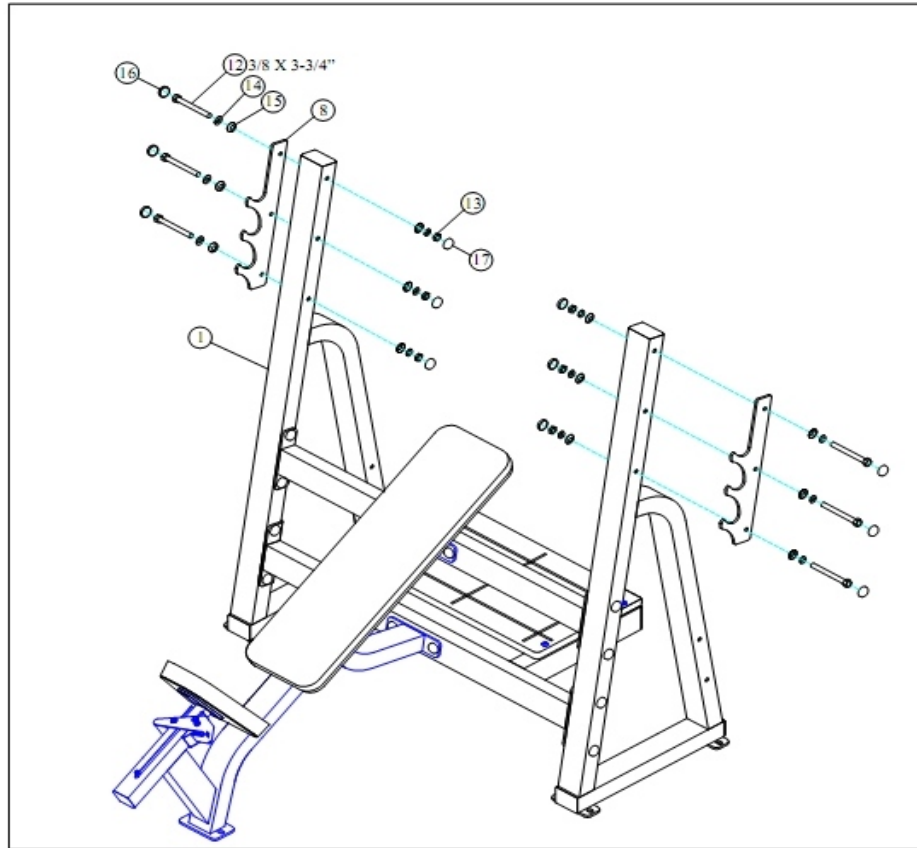
Ref #	Part Number	Qty	Description
2	ACUAP04-0024 WHT	1	PTD ASSY, SPOTTER PLATFORM WHT
2	ACUAP04-0024 PLT	1	PTD ASSY, SPOTTER PLATFORM PLT
5	ACUP10-0001	1	Foot Platform
13	3102807	26	Hardware: Nut 3/8" ID
14	3102514	48	Hardware: Flat Washer 3/8" ID
15	6866701	52	Washer, Right 3/8 ID
17	6866602	42	Cap, RH-20 White
17	ACU06-0357PLAT	42	Cap - Right Plate
18	ACUP05-0005	4	NLA: BOTTOM HEAD ALLEN SCREW; 3/8 -

Component Assembly 4



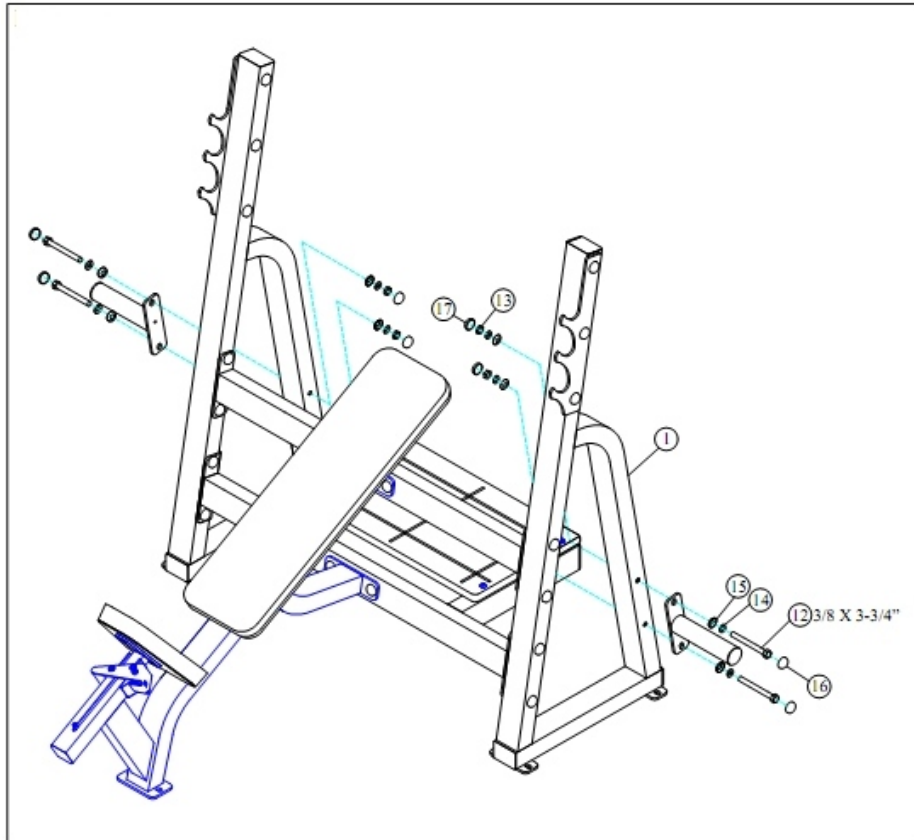
Ref #	Part Number	Qty	Description
4	ACUAP04-0025 WHT	1	PTD ASSY, BENCH FRAME WHT
4	ACUAP04-0025 PLT	1	PTD ASSY, BENCH FRAME PLT
6	ACUP07-0007	1	Back Pad; 248W X 850L
7	ACUP07-0006	1	Seat Pad; 133.5/268.5W X 317.5
10	3102901	2	3/8-16X1-1/4 UNS HEX FHB G2 ZN
11	3102922	6	3/8-16X2-3/4 UNS HEX FHB G2 ZN
15	6866701	52	Washer, Right 3/8 ID
17	ACU06-0357PLAT	42	Cap - Right Plate
17	6866602	42	Cap, RH-20 White

Component Assembly 5



Ref #	Part Number	Qty	Description
1	ACUAP04-0022-L PLT	1	PTD ASSY, UPRIGHT LEFT PLT
1	ACUAP04-0022-L WHT	1	PTD ASSY, UPRIGHT LEFT WHT
1	ACUAP04-0022-R WHT	1	PTD ASSY, UPRIGHT RIGHT WHT
1	ACUAP04-0022-R PLT	1	PTD ASSY, UPRIGHT RIGHT PLT
8	ACUP02-0008	2	Rack; Bar Support; Chrome
12	3102905	18	3/8-16 X 3-3/4 UNS HEX FHB G2 ZN
13	3102807	26	Hardware: Nut 3/8" ID
14	3102514	48	Hardware: Flat Washer 3/8" ID
15	6866701	52	Washer, Right 3/8 ID
16	6866601	10	Cap, RH-20 Black
17	6866602	42	Cap, RH-20 White
17	ACU06-0357PLAT	42	Cap - Right Plate

Component Assembly 6



Ref #	Part Number	Qty	Description
1	ACUAP04-0022-L WHT	1	PTD ASSY, UPRIGHT LEFT WHT
1	ACUAP04-0022-R PLT	1	PTD ASSY, UPRIGHT RIGHT PLT
1	ACUAP04-0022-L PLT	1	PTD ASSY, UPRIGHT LEFT PLT
1	ACUAP04-0022-R WHT	1	PTD ASSY, UPRIGHT RIGHT WHT
12	3102905	18	3/8-16 X 3-3/4 UNS HEX FHB G2 ZN
13	3102807	26	Hardware: Nut 3/8" ID
14	3102514	48	Hardware: Flat Washer 3/8" ID
15	6866701	52	Washer, Right 3/8 ID
16	6866601	10	Cap, RH-20 Black
17	6866602	42	Cap, RH-20 White
17	ACU06-0357PLAT	42	Cap - Right Plate

Miscellaneous

Ref #	Part Number	Qty	Description
9	ACU04-0010	2	Plated Assembly, Weight Horn (Chrome)

