

# Club Series - Treadmill (Base and Console)

CST-0100-01

## Parts Manual

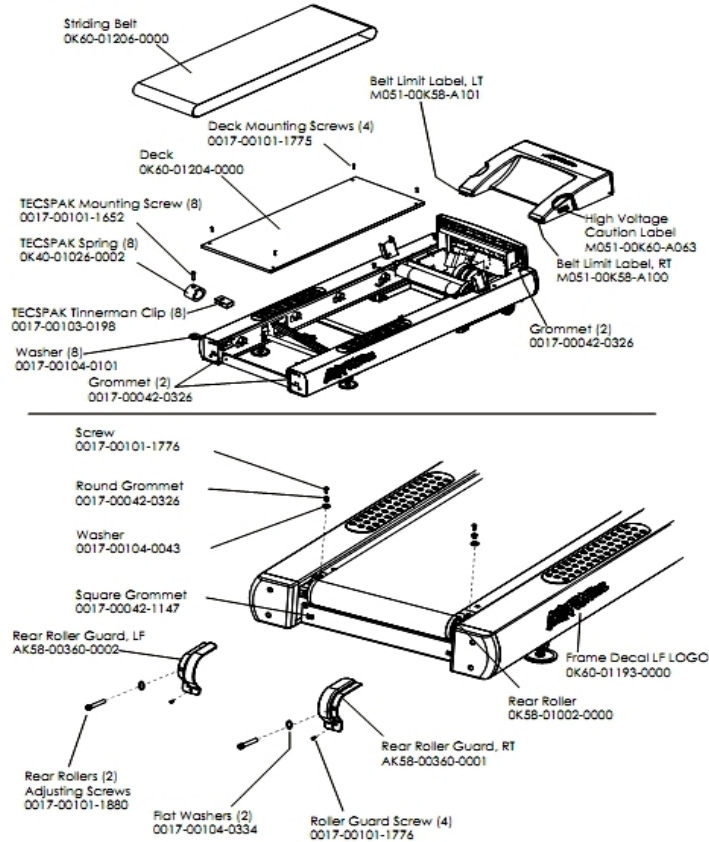
1/5/2019 13:13:50 PM

**Table of Contents**

---

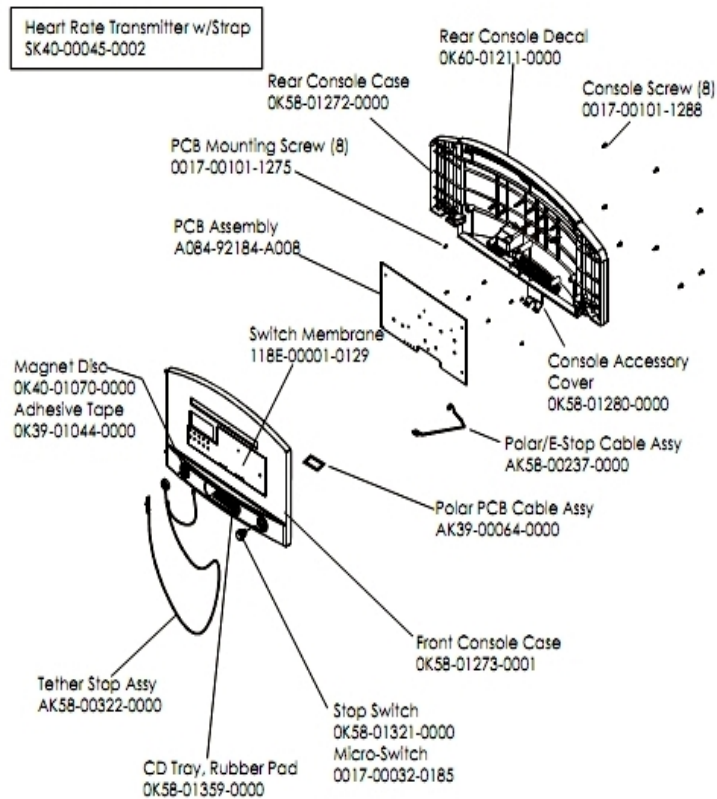
<a href="#">Belt, Deck, and Rear Roller.....</a>	<a href="#">3</a>
<a href="#">Console Assembly.....</a>	<a href="#">4</a>
<a href="#">Covers, End Caps, and Hardware.....</a>	<a href="#">5</a>
<a href="#">Drive Motor Assembly.....</a>	<a href="#">6</a>
<a href="#">DSP Motor Controller Assembly.....</a>	<a href="#">7</a>
<a href="#">ERGO Bar w/Lifepulse.....</a>	<a href="#">8</a>
<a href="#">Frame Assembly.....</a>	<a href="#">9</a>
<a href="#">Front Roller Assembly.....</a>	<a href="#">10</a>
<a href="#">Handrail Assembly.....</a>	<a href="#">11</a>
<a href="#">Idler Assembly.....</a>	<a href="#">13</a>
<a href="#">Leveler Assembly.....</a>	<a href="#">14</a>
<a href="#">Lift Motor and Frame - Domestic.....</a>	<a href="#">15</a>
<a href="#">Line Cords and Cables.....</a>	<a href="#">17</a>
<a href="#">Miscellaneous.....</a>	<a href="#">18</a>

## Belt, Deck, and Rear Roller



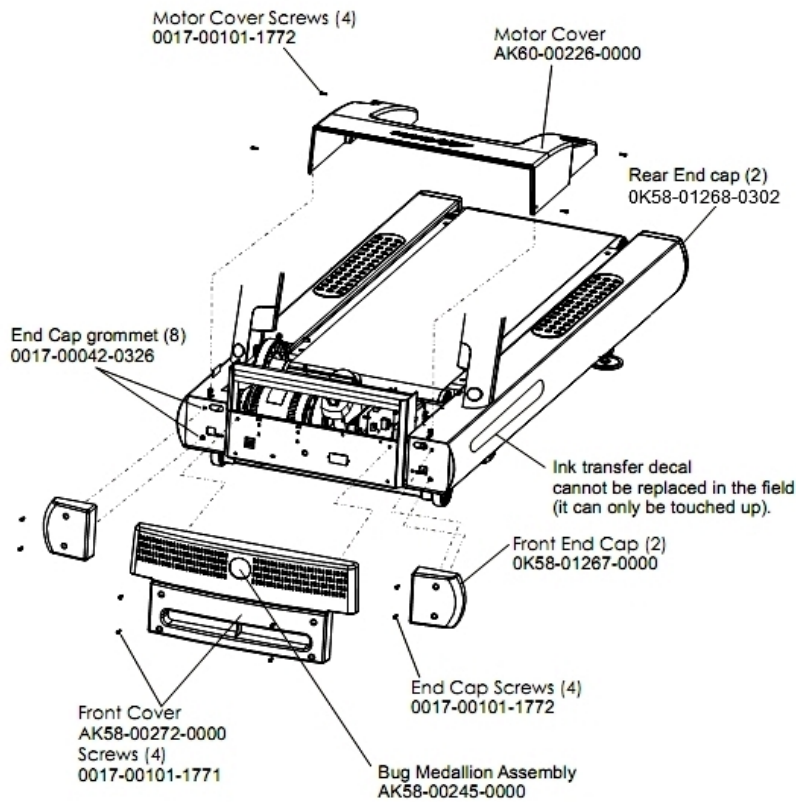
Ref #	Part Number	Qty	Description
-	0017-00103-0198	8	Hardware: Tinnerman Clip 1/4" ID
-	M051-00K58-A101	1	Belt Limit Label. Left
-	OK40-01026-0002	8	Deck Spring
-	AK58-00360-0001	1	Rear Roller Guard: Right
-	M051-00K58-A100	1	Label: Belt Limit: Right
-	M051-00K60-A063	1	LBL: CAUTION; HI-VOLT; T9 B
-	AK58-00360-0002	1	Rear Roller Guard: Left
-	0017-00104-0043	2	Hardware: Flat Washer 0.734" OD
-	0017-00104-0101	8	Hardware: Flat Washer 0.437" OD
-	OK58-01002-0000	1	Rear Roller - 3.5"
-	0017-00042-0326	6	Hardware: Plastic Grommet
-	0017-00042-1147	2	Hardware: Nylon Grommet
-	0017-00101-1652	8	Hardware: Spring Mounting Screw 1"
-	0017-00101-1880	2	Hardware: Tension Bolts 3"
-	0017-00104-0334	2	Hardware: Flat Washers 0.880" OD
-	OK60-01193-0000	2	Decal: LF Logo
-	OK60-01206-0000	1	Belt: Walking; Lube; with Logo C
-	OK60-01204-0000	1	Deck: Treadmill; T9L C
-	0017-00101-1776	6	Hardware: Mounting Screw 0.5"
-	0017-00101-1775	4	Hardware: Deck Screws 1.25"

## Console Assembly



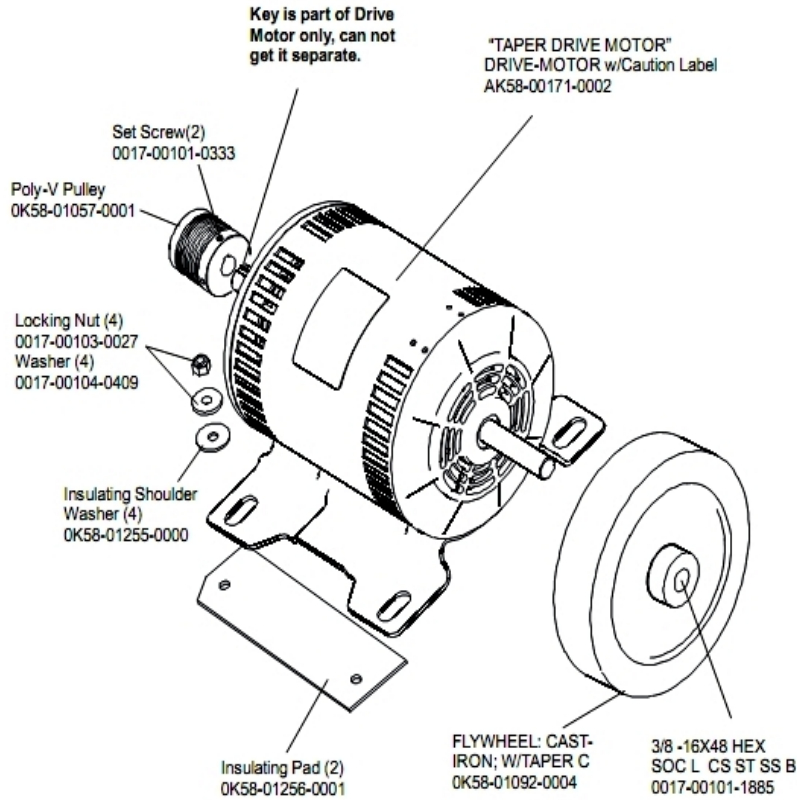
Ref #	Part Number	Qty	Description
-	OK39-01044-0000	1	Tape
-	0017-00101-1288	8	Hardware: Phillips Screw 0.5"
-	118E-00001-0129	1	Switch Membrane
-	OK58-01321-0000	1	Stop Switch
-	0017-00101-1275	8	Hardware: Phillips Screw 0.375"
-	AK58-00322-0000	1	Tether Stop Assembly
-	OK58-01272-0000	1	Rear Console Case
-	OK60-01211-0000	1	Decal: Console; Rear C
-	OK58-01280-0000	1	Accessory Cover
-	0017-00032-0185	1	Micro Switch 150GR
-	AK60-00217-0001	1	Console-Assembly: Mfg; T9I; English; S/C C
-	OK58-01273-0001	1	Front Console Case
-	A084-92184-A008	1	Programmable Console Printed Circuit Board Assembl
-	AK58-00237-0000	1	Cable-Assembly: Polar/E-Stop
-	GK58-00002-0125	1	Kit: Serv; Mfg; Overlay\Bezel\Switch Assembly
-	SK40-00045-0002	1	Chest Strap - Small
-	OK58-01359-0000	1	Rubber Pad
-	OK40-01070-0000	1	Magnetic Disk
-	118E-00001-0259	1	Wireless Receiver Module, Non-Coded
-	OK58-01488-0001	1	Overlay: Console; T9I; English; Purchased

## Covers, End Caps, and Hardware



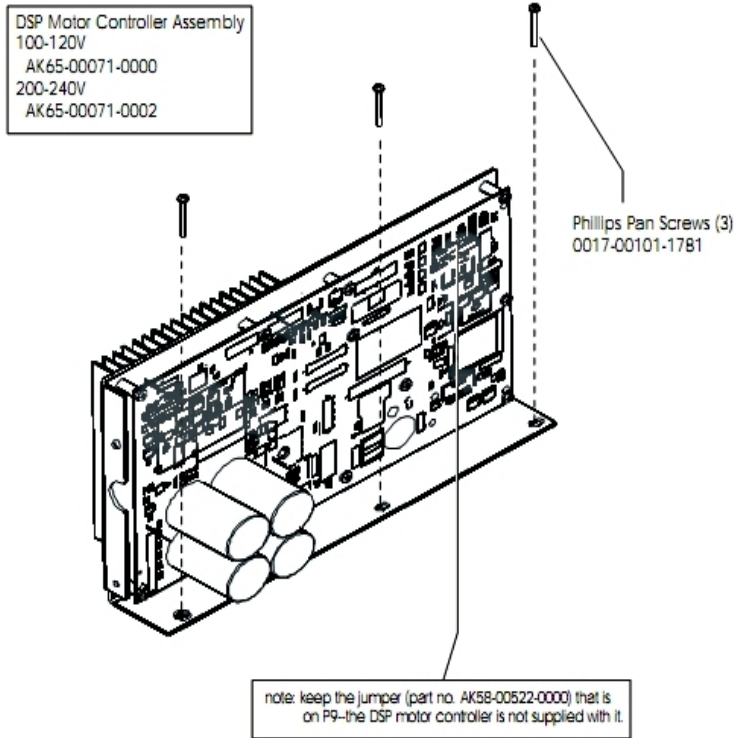
Ref #	Part Number	Qty	Description
-	0K58-01268-0302	2	ENDCAP: REAR; STEALTH D
-	AK58-00272-0000	1	Front Panel with Medallion
-	0017-00101-1771	4	Hardware: Phillips Pan Screw
-	0017-00042-0326	8	Hardware: Plastic Grommet
-	0K58-01267-0000	2	End Cap
-	AK58-00245-0000	1	Bug Medallion
-	0017-00101-1772	8	Hardware: Phillips Pan Screw 0.5"
-	AK60-00226-0000	1	Motor-Shroud Assembly: Mfg.; Chestnut

# Drive Motor Assembly



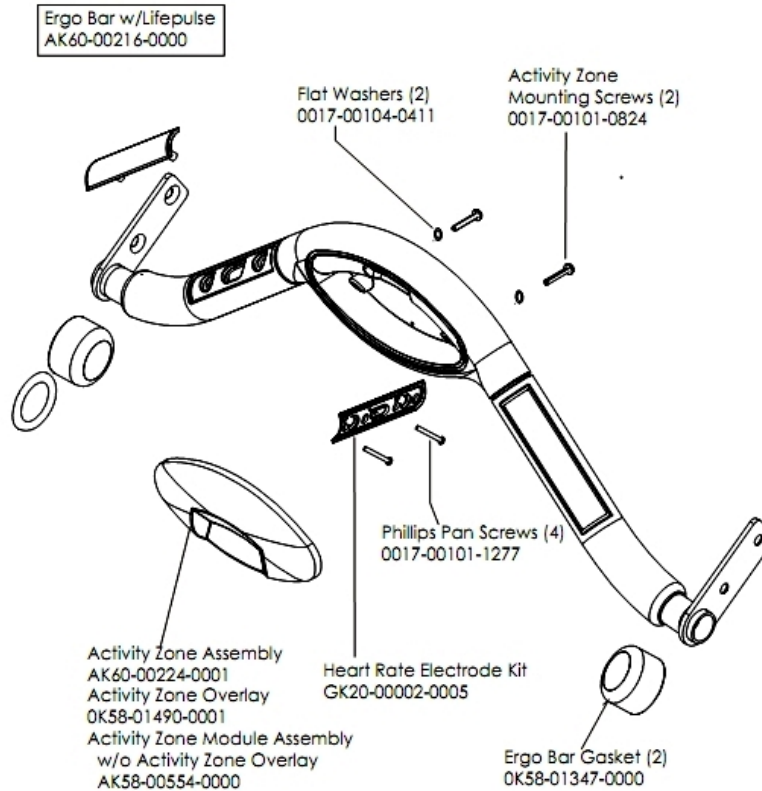
Ref #	Part Number	Qty	Description
-	0017-00101-1885	1	Hardware: Hex Bolt 1"
-	OK58-01255-0000	4	Hardware: Insulating Washers
-	OK58-01256-0001	2	Insulating Pad
-	OK58-01386-0004	1	MOTOR: MAIN DRIVE, 230V/50HZ, W/TAPER
-	0017-00104-0409	4	Hardware: Washer 1.125" OD
-	0017-00101-0333	2	Hardware: Screw 0.3125"
-	OK58-01057-0001	1	Drive Pulley - 1.971"
-	0017-00103-0027	4	Hardware: Locking Nut. 5/16" ID
-	OK58-01092-0004	1	Cast Iron Flywheel

## DSP Motor Controller Assembly



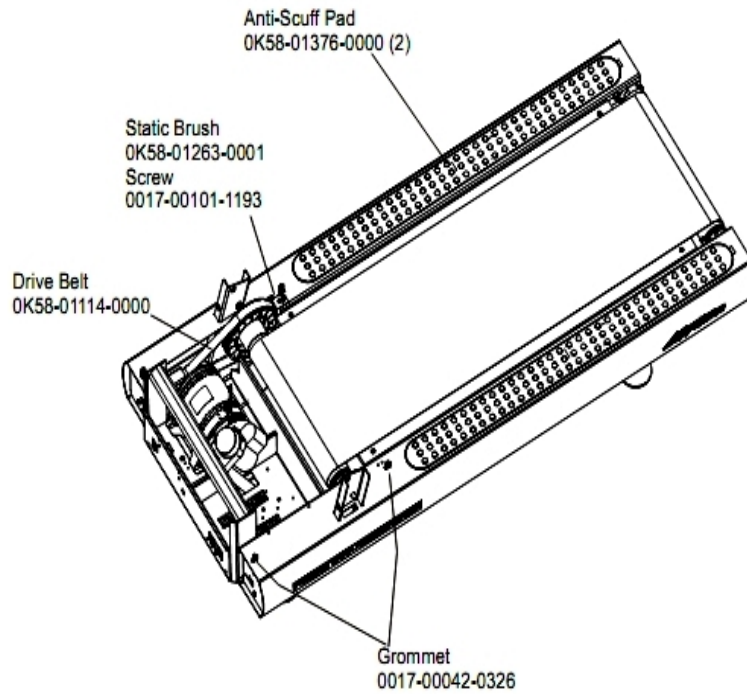
Ref #	Part Number	Qty	Description
-	AK65-00071-0007	1	DSP Motor Controller with Cable(100-120V)
-	0017-00101-1781	3	Hardware: Phillips Pan Screw 0.5"

## ERGO Bar w/Lifepulse



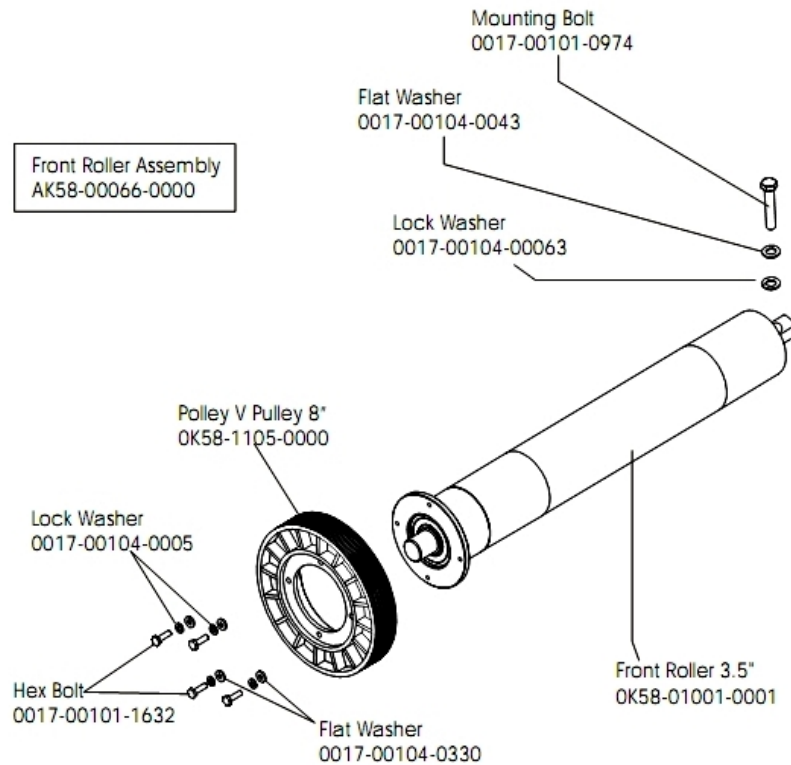
Ref #	Part Number	Qty	Description
-	0017-00101-1277	4	Hardware: Sensor Mounting Screw 1"
-	AK60-00216-0000	1	Ergo-Bar with HR Assembly: T9i; English/LED; Mfg; S/C D
-	AK58-00554-0201	1	Activity-Zone Module Assembly: Purchased; Generic Shadow Grey
-	GK20-00002-0005	2	Heart Rate Electrode Kit
-	0K58-01490-0001	1	Overlay: Console; T9i; Activity Zone; English; Purchased
-	0017-00101-0824	2	Hardware: Screw 1.125"
-	AK60-00224-0001	1	A-Z Module with Overlay Assembly: Mfg; T9i English
-	0017-00104-0411	2	Hardware: Flat Washer 0.375" OD
-	0K58-01347-0000	2	ErgoBar Gasket

## Frame Assembly



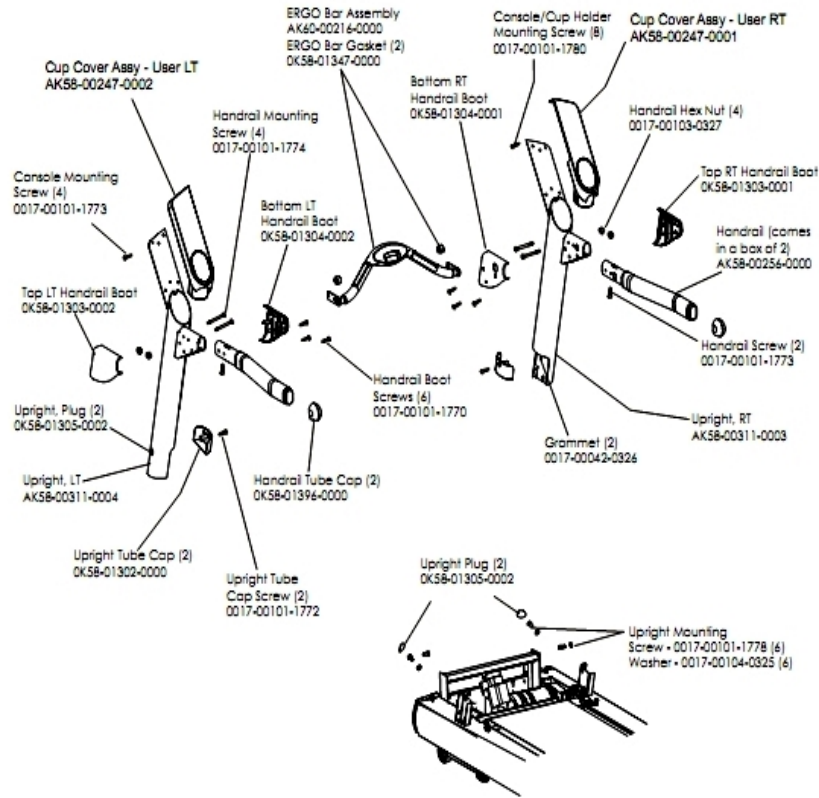
Ref #	Part Number	Qty	Description
-	OK58-01263-0001	1	Tinsel Bracket
-	0017-00042-0326	2	Hardware: Plastic Grommet
-	OK58-01376-0000	2	Anti-Scuff Pad
-	OK58-01114-0000	1	Poly-V Drive Belt - 370J12
-	0017-00101-1193	1	Hardware: Screw 0.375"

# Front Roller Assembly



Ref #	Part Number	Qty	Description
-	OK58-01001-0001	1	Front Roller - 3.5"
-	0017-00101-1632	4	Hardware: Hex Bolt 0.875"
-	OK58-01105-0000	1	Drive Pulley Poly V - 8"
-	0017-00104-0330	4	Hardware: Flat Washers 0.562" OD
-	0017-00104-0005	4	Hardware: Lock Washer 0.489" OD
-	0017-00104-0063	1	WSH 645-1.00-012 SP-D ST PH B
-	0017-00104-0043	1	Hardware: Flat Washer 0.734" OD
-	0017-00101-0974	1	Hardware: Mounting Bolt 2"
-	AK58-00066-0000	1	Front Roller Assembly

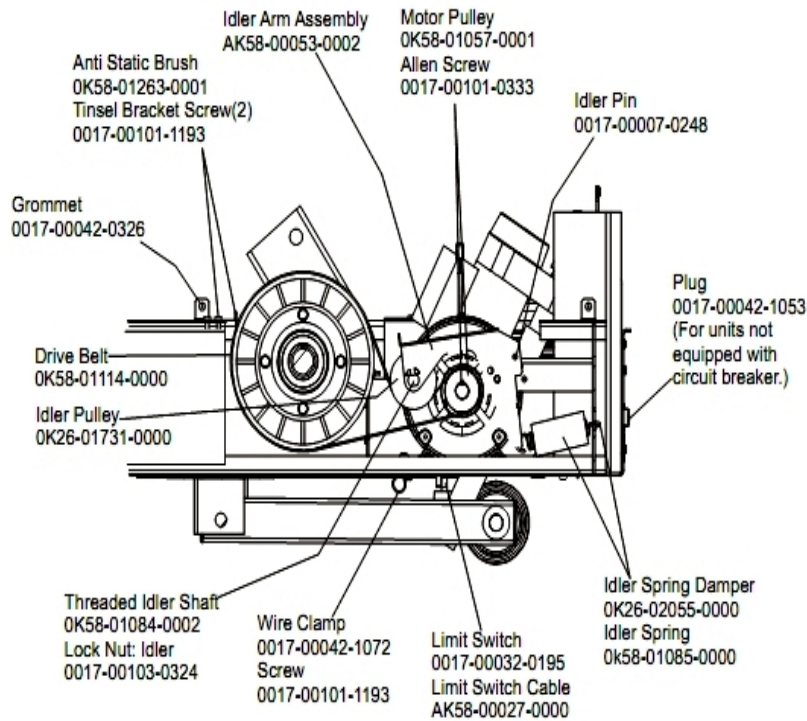
# Handrail Assembly



Ref #	Part Number	Qty	Description
-	0017-00101-1773	5	Hardware: TORX Screw 0.5"
-	0017-00104-0325	6	Hardware: Washer 0.873" OD
-	0017-00101-1770	6	Hardware: Phillips Pan Screw 0.5"
-	0K58-01396-0000	2	Endcap
-	0K58-01303-0002	1	Top Left Handrail Boot
-	0K58-01304-0001	1	Bottom Right Handrail Boot
-	0K58-01304-0002	1	Bottom Left Handrail Boot
-	0017-00101-1772	2	Hardware: Phillips Pan Screw 0.5"
-	0K58-01303-0001	1	Top Right Handrail Boot
-	0K58-01347-0000	2	ErgoBar Gasket
-	0017-00101-1778	6	Hardware: Hex Bolt 1"
-	AK58-00247-0002	1	Cup Holder Left
-	0017-00042-0326	2	Hardware: Plastic Grommet
-	0017-00103-0327	4	Hardware: Hex Nut 5/16" ID
-	0K58-01302-0103	2	Cap: Upright Tube; Arctic Silver
-	0K58-01305-0002	4	Upright Plug
-	AK58-00247-0001	1	Cup Holder Right
-	AK58-00256-0001	2	Handrail
-	AK58-00311-0004	1	Upright: Left
-	0017-00101-1774	4	Hardware: TORX Screw 2.5"
-	0017-00101-1780	8	Hardware: Mounting Screws
-	AK58-00311-0003	1	Upright: Right

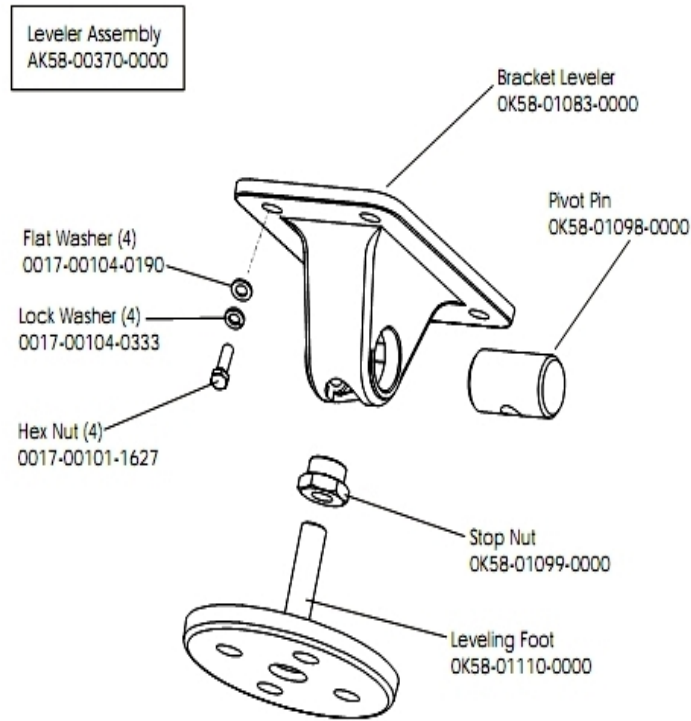
<b>Ref #</b>	<b>Part Number</b>	<b>Qty</b>	<b>Description</b>
-	AK60-00216-0000	1	Ergo-Bar with HR Assembly: T9i; English/LED; Mfg; S/C D

## Idler Assembly



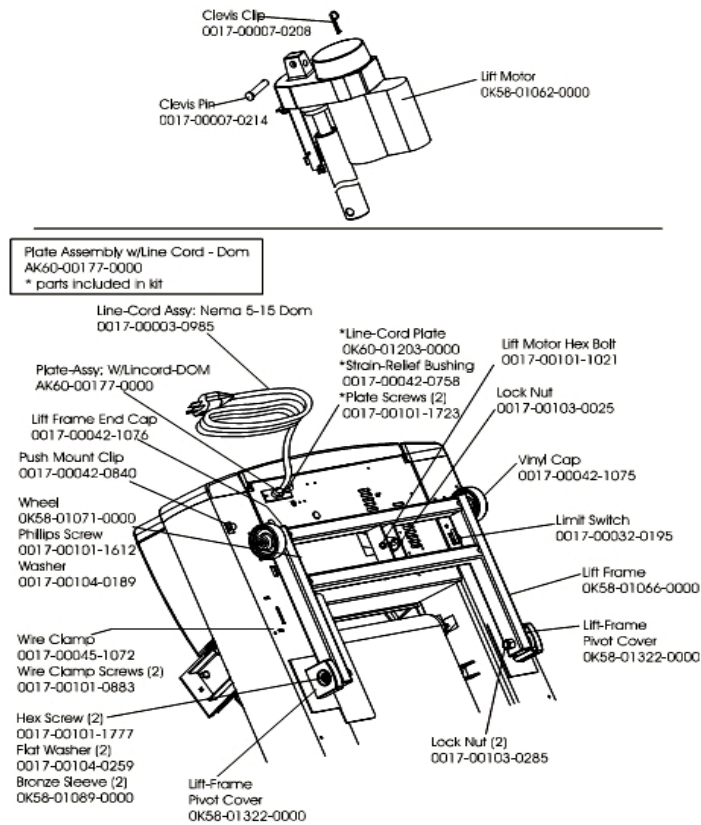
Ref #	Part Number	Qty	Description
-	0K58-01057-0001	1	Drive Pulley - 1.971"
-	AK58-00053-0002	1	Idler Arm Assembly
-	0017-00103-0324	1	Hardware: Thin Lock Nut 3/8" ID
-	AK58-00027-0000	1	Limit Switch Cable
-	0K26-01731-0000	1	Plastic Idler 2 5/8" OD
-	0K26-02055-0000	1	Spring Damper
-	0017-00032-0195	1	Home Switch
-	0017-00042-1072	1	Hardware: Wire Clamp - 5/8"
-	0K58-01084-0002	1	Threaded Shaft
-	0017-00007-0248	1	Hardware: Locking Pin .31" D 2.125" L
-	0017-00042-0326	1	Hardware: Plastic Grommet
-	0017-00101-1193	3	Hardware: Screw 0.375"
-	0K58-01114-0000	1	Poly-V Drive Belt - 370J12
-	0K58-01085-0000	1	Extension Spring
-	0K58-01263-0001	1	Tinsel Bracket
-	0017-00101-0333	1	Hardware: Screw 0.3125"
-	0017-00042-1053	1	Plug (For units not equipped with circuit breaker.)

## Leveler Assembly



Ref #	Part Number	Qty	Description
-	OK58-01099-0000	1	Hardware: Stop Nut
-	0017-00104-0333	4	Hardware: Washer 0.683" OD
-	OK58-01083-0000	1	Leveler Bracket
-	OK58-01110-0000	1	Leveler Foot
-	0017-00101-1627	4	Hardware: Hex Nut
-	0017-00104-0190	4	Hardware: Flat Washer 0.734" OD
-	AK58-00370-0000	1	Leveler Assembly
-	OK58-01098-0000	1	Hardware: Pivot Pin

### Lift Motor and Frame - Domestic



Ref #	Part Number	Qty	Description
-	0K58-01062-0000	1	Lift Motor - 120/60
-	AK58-00220-0000	1	LIFT-FRAME ASSY: MFG. C
-	0017-00032-0195	1	Home Switch
-	0017-00042-1072	1	Hardware: Wire Clamp - 5/8"
-	0017-00042-1076	1	Lift Frame End Cap
-	0017-00103-0285	2	Hardware: Nut 5/8" ID
-	0017-00101-1723	2	Hardware: Phillips Pan Screw 0.375"
-	0017-00007-0208	1	Hardware: Cotter Pin
-	0017-00101-1777	2	Hardware: Lift Frame Mounting Bolt 2.75"
-	0017-00104-0189	1	Hardware: Flat Washer 1" OD
-	0K60-01203-0000	1	PLATE: LINECORD B
-	0017-00101-0883	2	Hardware: Screw 0.375"
-	0K58-01322-0000	2	Lift Frame Pivot Cover
-	AK60-00177-0000	2	Plate-Assembly with Linecord: Mfg; Domestic C
-	0017-00101-1021	1	Hardware: Lift Motor Hex Bolt 2.5"
-	0017-00103-0025	1	Hardware: Locking Nut 3/8" ID
-	0K58-01089-0000	2	Bronze Sleeve Bushings
-	0017-00042-0840	1	Hardware: Push Mount Clip
-	0017-00042-0758	1	Strain Relief Bushing
-	0017-00003-0985	1	Line-Cord Assembly: Nema 5-15 120V 12' C
-	0K58-01071-0000	1	Wheel
-	0017-00101-1612	1	Hardware: Phillips Screw 0.5"

Ref #	Part Number	Qty	Description
-	0017-00104-0259	2	Hardware: Washer 1.331" OD
-	0017-00007-0214	1	Hardware: Clevis Pin 3/8" D 1.75" L
-	0017-00042-1075	1	Vinyl Cap

## Line Cords and Cables

---

Ref #	Part Number	Qty	Description
-	0017-00003-0985	1	Line-Cord Assembly: Nema 5-15 120V 12' C
-	AK58-00041-0001	1	Heart Rate Sensor Cable
-	AK58-00522-0000	1	Cable: Jumper; Power; LED Console
-	AK58-00263-0000	1	Hi-Pot Jumper Cable
-	AK58-00027-0000	1	Limit Switch Cable
-	AK60-00180-0000	1	CBL-ASSY: POWER; T9; 120V C
-	AK60-00179-0000	1	Harness-Assembly: Mfg; 120/60 S/C-D
-	AK58-00224-0001	1	Cable: MOV; Fliter
-	111E-00001-0041	1	Inductor: 3MH; 120V C
-	AK58-00032-0000	1	User Proximity Sensor Cable
-	AK58-00034-0001	1	Console Power Cable

**Miscellaneous**

---

Ref #	Part Number	Qty	Description
-	0017-00008-0205	1	5 oz Bottle - Arctic Silver
-	0017-00008-0204	1	Paint Spray Can - Arctic Silver
-	0017-00008-0210	1	Paint: Shadow-Gray Touch Up: .6 OZ Bottle
-	0017-00008-0206	1	.33oz Pen - Arctic Silver
-	0017-00008-0211	1	Paint: Shadow-Gray Touch Up: .6 OZ Bottle
-	AK60-00173-0000	1	Hardware-Bag Assembly: Mfg; T9I BM

