

Club Series - Treadmill (Base and Console)

CST-0101-01

Parts Manual

1/5/2019 13:13:50 PM

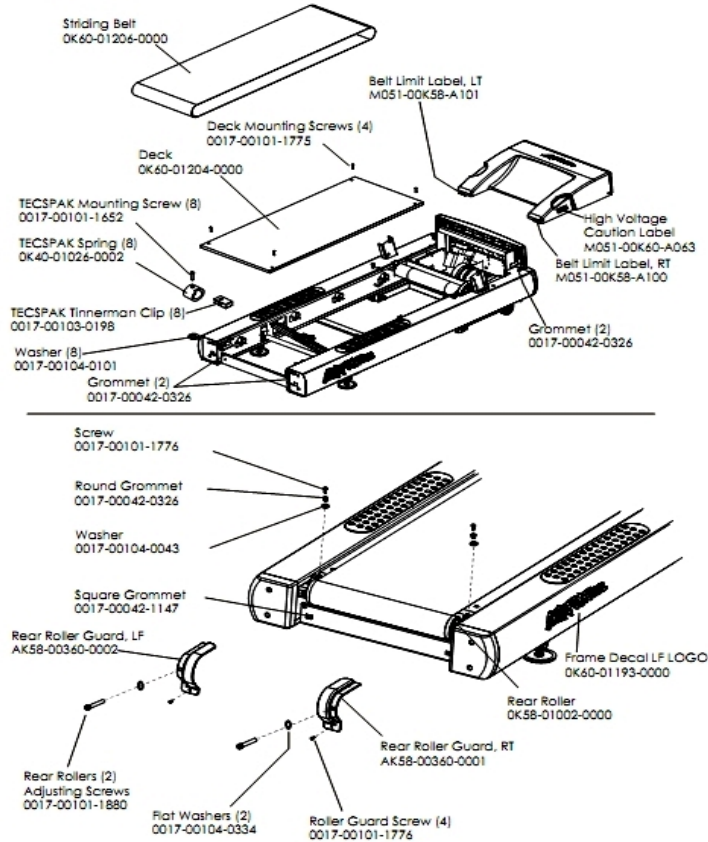


LifeFitness
WHAT WE LIVE FOR

Table of Contents

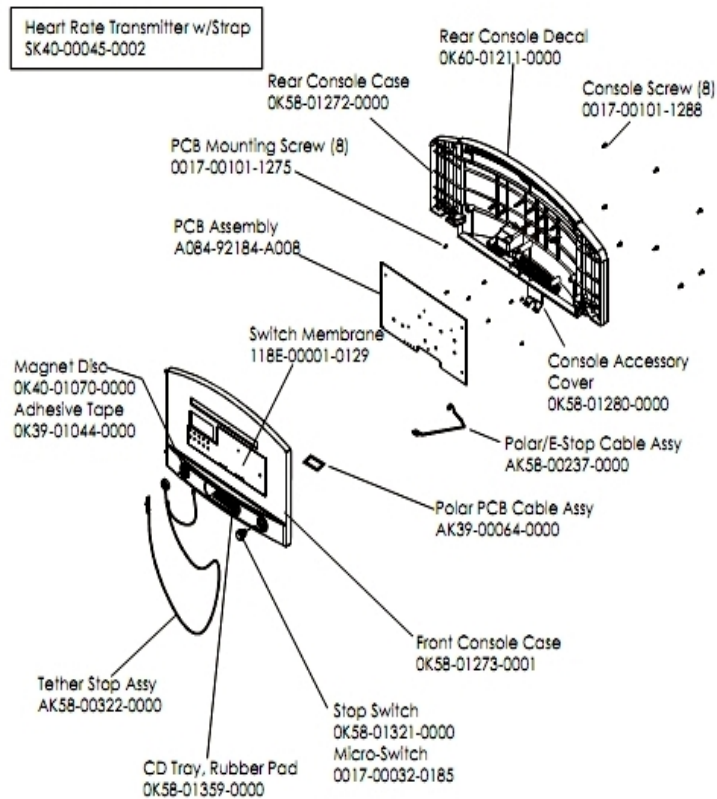
| | |
|---|--------------------|
| Belt, Deck, and Rear Roller..... | 3 |
| Console Assembly..... | 4 |
| Covers, End Caps, and Hardware..... | 5 |
| Drive Motor Assembly..... | 6 |
| DSP Motor Controller Assembly..... | 7 |
| ERGO Bar w/Lifepulse..... | 8 |
| Frame Assembly..... | 9 |
| Front Roller Assembly..... | 10 |
| Handrail Assembly..... | 11 |
| Idler Assembly..... | 13 |
| Leveler Assembly..... | 14 |
| Lift Motor and Frame - International..... | 15 |
| Line Cords and Cables..... | 17 |
| Miscellaneous..... | 18 |

Belt, Deck, and Rear Roller



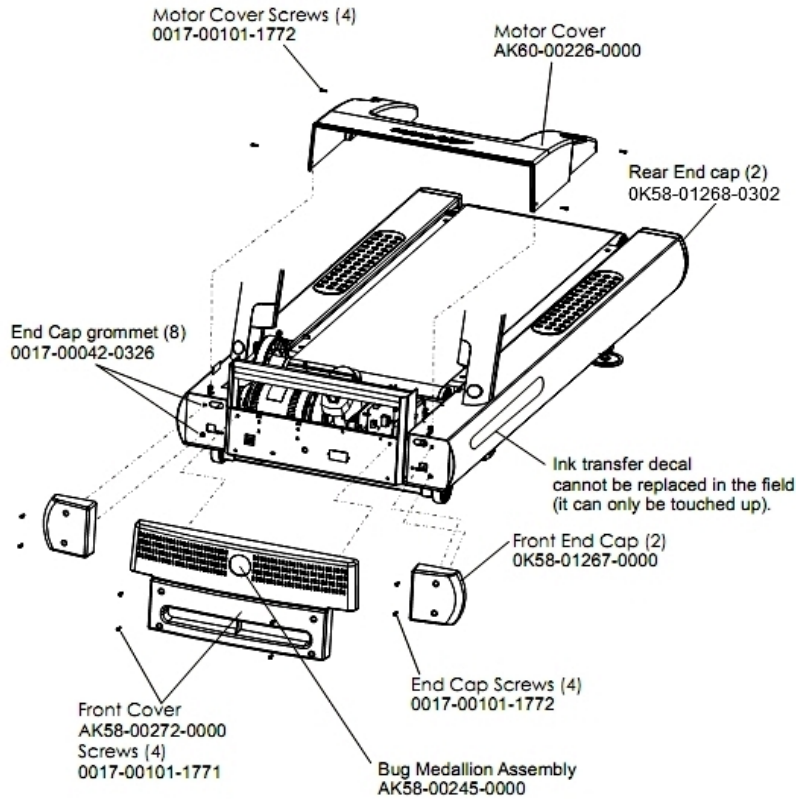
| Ref # | Part Number | Qty | Description |
|-------|-----------------|-----|------------------------------------|
| - | 0017-00103-0198 | 8 | Hardware: Tinnerman Clip 1/4" ID |
| - | M051-00K58-A101 | 1 | Belt Limit Label. Left |
| - | OK40-01026-0002 | 8 | Deck Spring |
| - | AK58-00360-0001 | 1 | Rear Roller Guard: Right |
| - | M051-00K58-A100 | 1 | Label: Belt Limit: Right |
| - | M051-00K60-A063 | 1 | LBL: CAUTION; HI-VOLT; T9 B |
| - | AK58-00360-0002 | 1 | Rear Roller Guard: Left |
| - | 0017-00104-0043 | 2 | Hardware: Flat Washer 0.734" OD |
| - | 0017-00104-0101 | 8 | Hardware: Flat Washer 0.437" OD |
| - | OK58-01002-0000 | 1 | Rear Roller - 3.5" |
| - | 0017-00042-0326 | 6 | Hardware: Plastic Grommet |
| - | 0017-00042-1147 | 2 | Hardware: Nylon Grommet |
| - | 0017-00101-1652 | 8 | Hardware: Spring Mounting Screw 1" |
| - | 0017-00101-1880 | 2 | Hardware: Tension Bolts 3" |
| - | 0017-00104-0334 | 2 | Hardware: Flat Washers 0.880" OD |
| - | OK60-01193-0000 | 2 | Decal: LF Logo |
| - | OK60-01206-0000 | 1 | Belt: Walking; Lube; with Logo C |
| - | OK60-01204-0000 | 1 | Deck: Treadmill; T9L C |
| - | 0017-00101-1776 | 6 | Hardware: Mounting Screw 0.5" |
| - | 0017-00101-1775 | 4 | Hardware: Deck Screws 1.25" |

Console Assembly



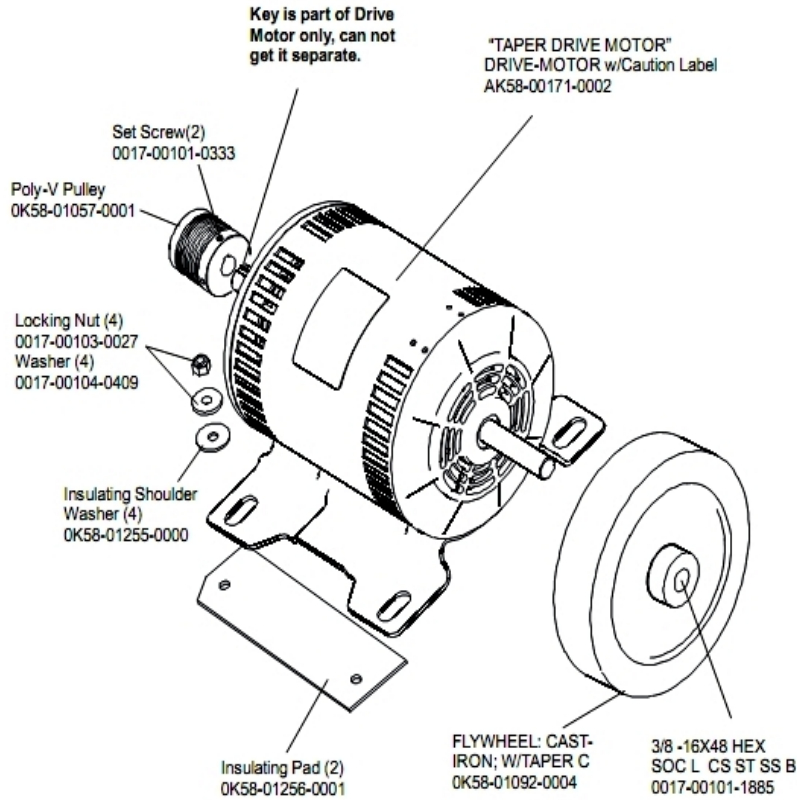
| Ref # | Part Number | Qty | Description |
|-------|-----------------|-----|--|
| - | OK39-01044-0000 | 1 | Tape |
| - | 0017-00101-1288 | 8 | Hardware: Phillips Screw 0.5" |
| - | 118E-00001-0129 | 1 | Switch Membrane |
| - | OK58-01321-0000 | 1 | Stop Switch |
| - | 0017-00101-1275 | 8 | Hardware: Phillips Screw 0.375" |
| - | AK58-00322-0000 | 1 | Tether Stop Assembly |
| - | OK58-01272-0000 | 1 | Rear Console Case |
| - | OK60-01211-0000 | 1 | Decal: Console; Rear C |
| - | OK58-01280-0000 | 1 | Accessory Cover |
| - | 0017-00032-0185 | 1 | Micro Switch 150GR |
| - | AK60-00217-0001 | 1 | Console-Assembly: Mfg; T9I; English; S/C C |
| - | OK58-01273-0001 | 1 | Front Console Case |
| - | A084-92184-A008 | 1 | Programmable Console Printed Circuit Board Assembl |
| - | AK58-00237-0000 | 1 | Cable-Assembly: Polar/E-Stop |
| - | GK58-00002-0125 | 1 | Kit: Serv; Mfg; Overlay\Bezel\Switch Assembly |
| - | SK40-00045-0002 | 1 | Chest Strap - Small |
| - | OK58-01359-0000 | 1 | Rubber Pad |
| - | OK40-01070-0000 | 1 | Magnetic Disk |
| - | 118E-00001-0259 | 1 | Wireless Receiver Module, Non-Coded |
| - | OK58-01488-0001 | 1 | Overlay: Console; T9I; English; Purchased |

Covers, End Caps, and Hardware



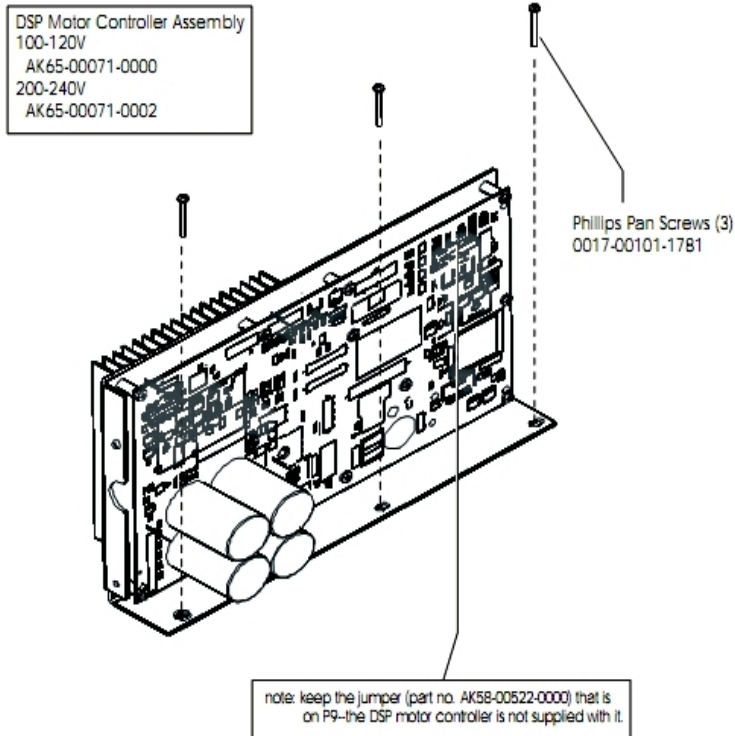
| Ref # | Part Number | Qty | Description |
|-------|-----------------|-----|---------------------------------------|
| - | 0K58-01268-0302 | 2 | ENDCAP: REAR; STEALTH D |
| - | AK58-00272-0000 | 1 | Front Panel with Medallion |
| - | 0017-00101-1771 | 4 | Hardware: Phillips Pan Screw |
| - | 0017-00042-0326 | 8 | Hardware: Plastic Grommet |
| - | 0K58-01267-0000 | 2 | End Cap |
| - | AK58-00245-0000 | 1 | Bug Medallion |
| - | 0017-00101-1772 | 8 | Hardware: Phillips Pan Screw 0.5" |
| - | AK60-00226-0000 | 1 | Motor-Shroud Assembly: Mfg.; Chestnut |

Drive Motor Assembly



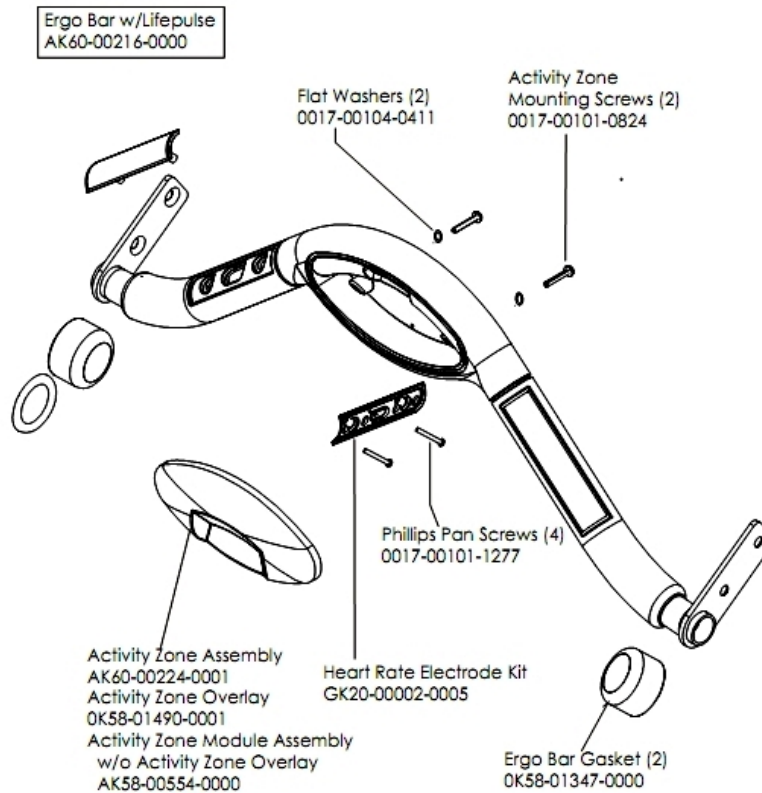
| Ref # | Part Number | Qty | Description |
|-------|-----------------|-----|---------------------------------------|
| - | 0017-00101-1885 | 1 | Hardware: Hex Bolt 1" |
| - | OK58-01255-0000 | 4 | Hardware: Insulating Washers |
| - | OK58-01092-0004 | 1 | Cast Iron Flywheel |
| - | OK58-01256-0001 | 2 | Insulating Pad |
| - | 0017-00103-0027 | 4 | Hardware: Locking Nut. 5/16" ID |
| - | 0017-00104-0409 | 4 | Hardware: Washer 1.125" OD |
| - | 0017-00101-0333 | 2 | Hardware: Screw 0.3125" |
| - | OK58-01057-0001 | 1 | Drive Pulley - 1.971" |
| - | OK58-01386-0004 | 1 | MOTOR: MAIN DRIVE, 230V/50HZ, W/TAPER |

DSP Motor Controller Assembly



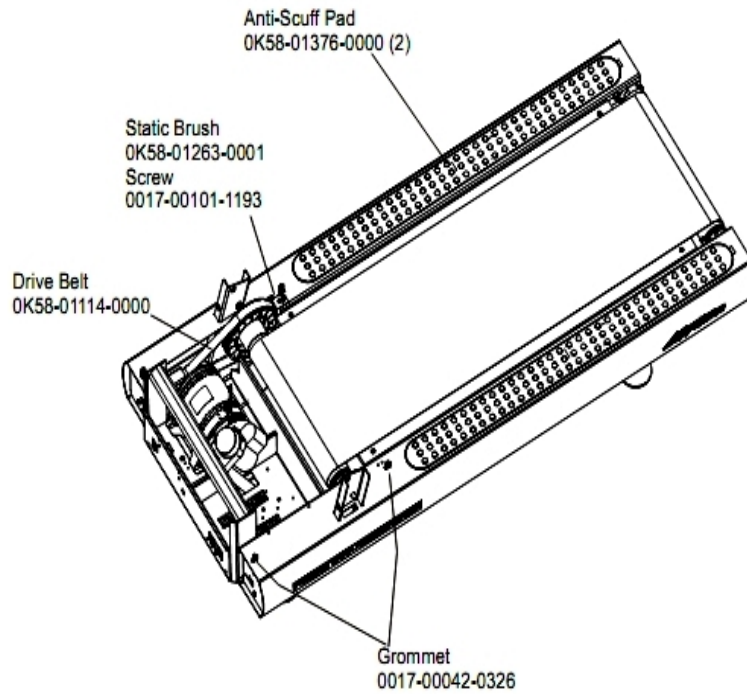
| Ref # | Part Number | Qty | Description |
|-------|-----------------|-----|-----------------------------------|
| - | 0017-00101-1781 | 3 | Hardware: Phillips Pan Screw 0.5" |
| - | AK65-00071-0009 | 1 | DSP Controller 200-240 |

ERGO Bar w/Lifepulse



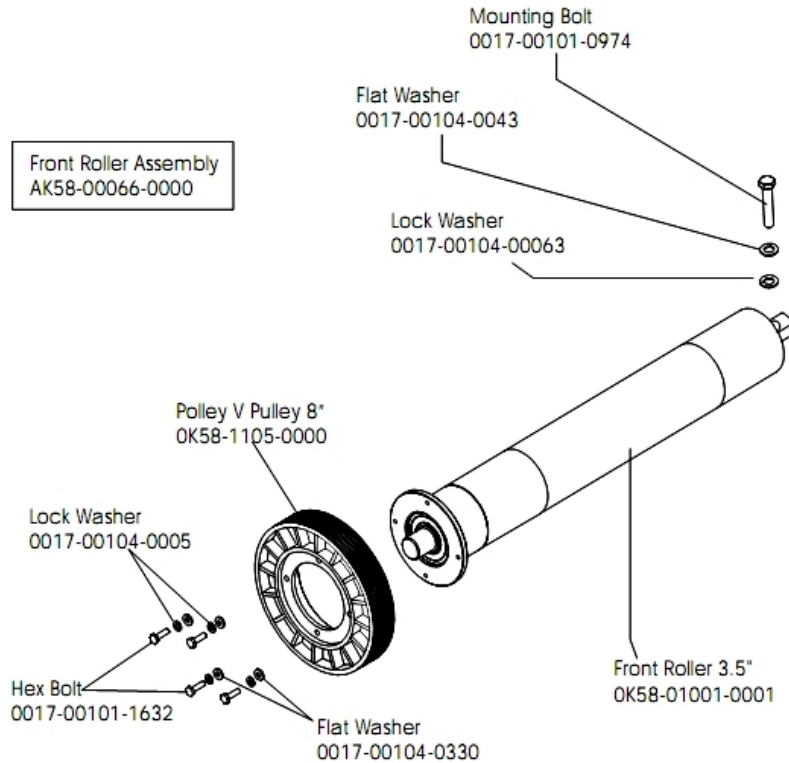
| Ref # | Part Number | Qty | Description |
|-------|-----------------|-----|---|
| - | 0017-00101-1277 | 4 | Hardware: Sensor Mounting Screw 1" |
| - | AK60-00216-0000 | 1 | Ergo-Bar with HR Assembly: T9i; English/LED; Mfg; S/C D |
| - | AK58-00554-0201 | 1 | Activity-Zone Module Assembly: Purchased; Generic Shadow Grey |
| - | GK20-00002-0005 | 2 | Heart Rate Electrode Kit |
| - | 0K58-01490-0001 | 1 | Overlay: Console; T9i; Activity Zone; English; Purchased |
| - | 0017-00101-0824 | 2 | Hardware: Screw 1.125" |
| - | AK60-00224-0001 | 1 | A-Z Module with Overlay Assembly: Mfg; T9I English |
| - | 0017-00104-0411 | 2 | Hardware: Flat Washer 0.375" OD |
| - | 0K58-01347-0000 | 2 | ErgoBar Gasket |

Frame Assembly



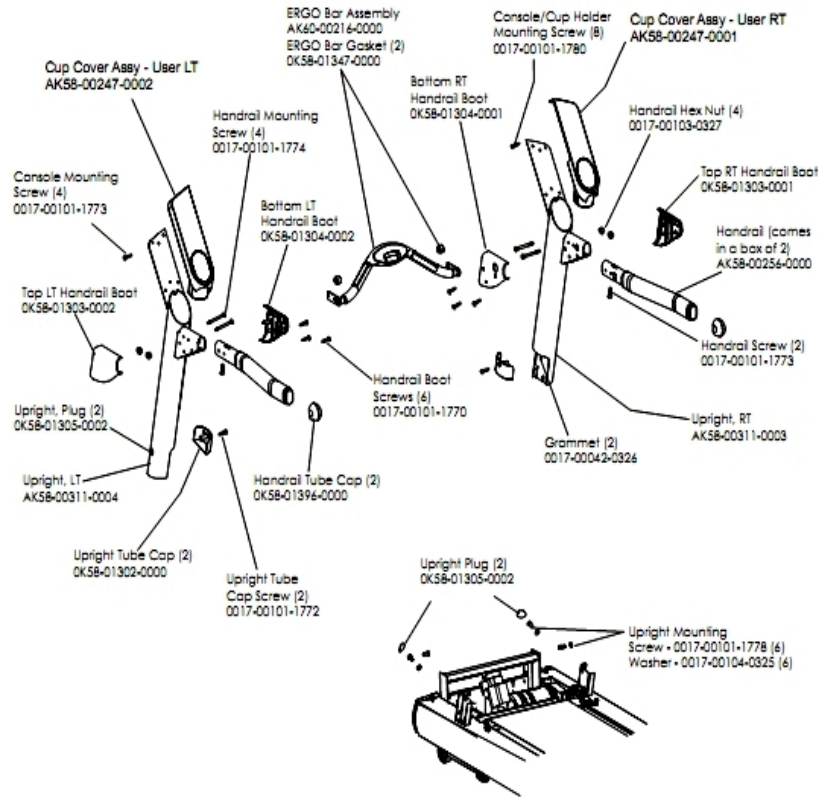
| Ref # | Part Number | Qty | Description |
|-------|-----------------|-----|----------------------------|
| - | OK58-01263-0001 | 1 | Tinsel Bracket |
| - | 0017-00042-0326 | 2 | Hardware: Plastic Grommet |
| - | OK58-01376-0000 | 2 | Anti-Scuff Pad |
| - | OK58-01114-0000 | 1 | Poly-V Drive Belt - 370J12 |
| - | 0017-00101-1193 | 1 | Hardware: Screw 0.375" |

Front Roller Assembly



| Ref # | Part Number | Qty | Description |
|-------|-----------------|-----|----------------------------------|
| - | 0K58-01001-0001 | 1 | Front Roller - 3.5" |
| - | 0017-00101-1632 | 4 | Hardware: Hex Bolt 0.875" |
| - | 0K58-01105-0000 | 1 | Drive Pulley Poly V - 8" |
| - | 0017-00104-0330 | 4 | Hardware: Flat Washers 0.562" OD |
| - | 0017-00104-0005 | 4 | Hardware: Lock Washer 0.489" OD |
| - | 0017-00104-0063 | 1 | WSH 645-1.00-012 SP-D ST PH B |
| - | 0017-00104-0043 | 1 | Hardware: Flat Washer 0.734" OD |
| - | 0017-00101-0974 | 1 | Hardware: Mounting Bolt 2" |
| - | AK58-00066-0000 | 1 | Front Roller Assembly |

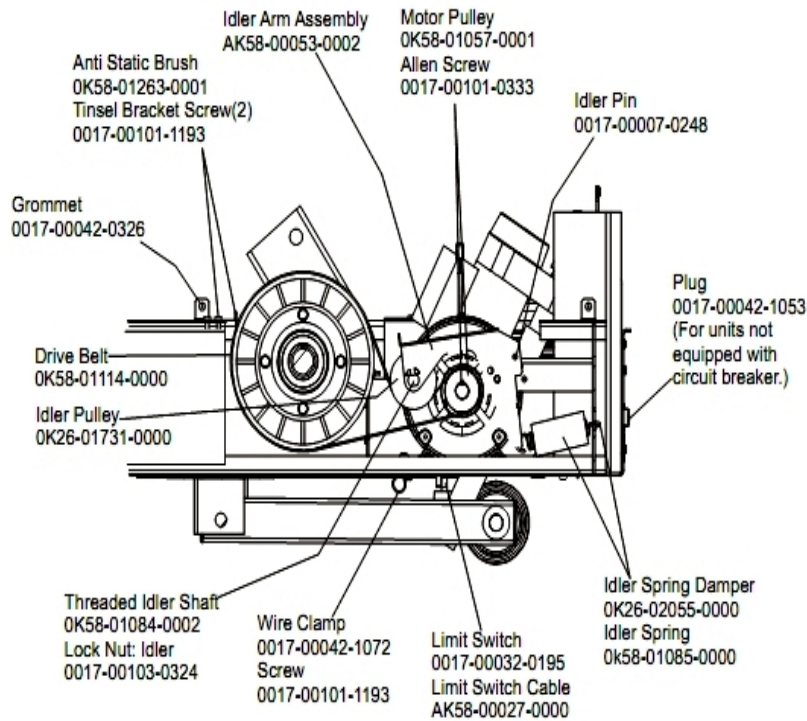
Handrail Assembly



| Ref # | Part Number | Qty | Description |
|-------|-----------------|-----|-----------------------------------|
| - | 0017-00101-1773 | 5 | Hardware: TORX Screw 0.5" |
| - | 0017-00104-0325 | 6 | Hardware: Washer 0.873" OD |
| - | 0017-00101-1770 | 6 | Hardware: Phillips Pan Screw 0.5" |
| - | OK58-01396-0000 | 2 | Endcap |
| - | OK58-01303-0002 | 1 | Top Left Handrail Boot |
| - | OK58-01304-0001 | 1 | Bottom Right Handrail Boot |
| - | OK58-01304-0002 | 1 | Bottom Left Handrail Boot |
| - | 0017-00101-1772 | 2 | Hardware: Phillips Pan Screw 0.5" |
| - | OK58-01303-0001 | 1 | Top Right Handrail Boot |
| - | OK58-01347-0000 | 2 | ErgoBar Gasket |
| - | 0017-00101-1778 | 6 | Hardware: Hex Bolt 1" |
| - | AK58-00247-0002 | 1 | Cup Holder Left |
| - | 0017-00042-0326 | 2 | Hardware: Plastic Grommet |
| - | 0017-00103-0327 | 4 | Hardware: Hex Nut 5/16" ID |
| - | OK58-01302-0103 | 2 | Cap: Upright Tube; Arctic Silver |
| - | OK58-01305-0002 | 4 | Upright Plug |
| - | AK58-00247-0001 | 1 | Cup Holder Right |
| - | AK58-00256-0001 | 2 | Handrail |
| - | AK58-00311-0004 | 1 | Upright: Left |
| - | 0017-00101-1774 | 4 | Hardware: TORX Screw 2.5" |
| - | 0017-00101-1780 | 8 | Hardware: Mounting Screws |
| - | AK58-00311-0003 | 1 | Upright: Right |

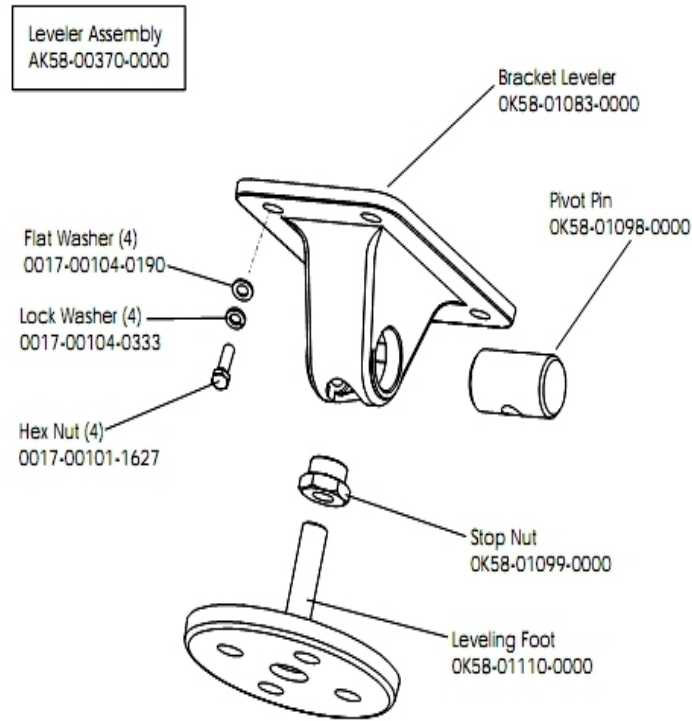
| Ref # | Part Number | Qty | Description |
|-------|-----------------|-----|---|
| - | AK60-00216-0000 | 1 | Ergo-Bar with HR Assembly: T9i; English/LED; Mfg; S/C D |

Idler Assembly



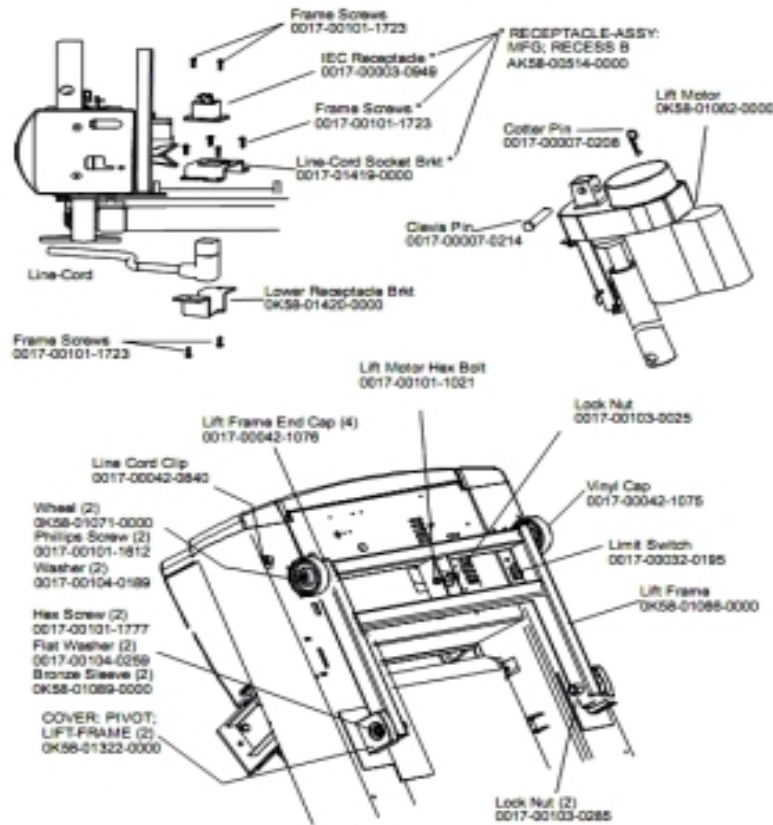
| Ref # | Part Number | Qty | Description |
|-------|-----------------|-----|---|
| - | 0K58-01057-0001 | 1 | Drive Pulley - 1.971" |
| - | AK58-00053-0002 | 1 | Idler Arm Assembly |
| - | 0017-00103-0324 | 1 | Hardware: Thin Lock Nut 3/8" ID |
| - | AK58-00027-0000 | 1 | Limit Switch Cable |
| - | 0K26-01731-0000 | 1 | Plastic Idler 2 5/8" OD |
| - | 0K26-02055-0000 | 1 | Spring Damper |
| - | 0017-00032-0195 | 1 | Home Switch |
| - | 0017-00042-1072 | 1 | Hardware: Wire Clamp - 5/8" |
| - | 0K58-01084-0002 | 1 | Threaded Shaft |
| - | 0017-00007-0248 | 1 | Hardware: Locking Pin .31" D 2.125" L |
| - | 0017-00042-0326 | 1 | Hardware: Plastic Grommet |
| - | 0017-00101-1193 | 3 | Hardware: Screw 0.375" |
| - | 0K58-01114-0000 | 1 | Poly-V Drive Belt - 370J12 |
| - | 0K58-01085-0000 | 1 | Extension Spring |
| - | 0K58-01263-0001 | 1 | Tinsel Bracket |
| - | 0017-00101-0333 | 1 | Hardware: Screw 0.3125" |
| - | 0017-00042-1053 | 1 | Plug (For units not equipped with circuit breaker.) |

Leveler Assembly



| Ref # | Part Number | Qty | Description |
|-------|-----------------|-----|---------------------------------|
| - | OK58-01110-0000 | 1 | Leveler Foot |
| - | AK58-00370-0000 | 1 | Leveler Assembly |
| - | OK58-01099-0000 | 1 | Hardware: Stop Nut |
| - | OK58-01083-0000 | 1 | Leveler Bracket |
| - | 0017-00104-0333 | 4 | Hardware: Washer 0.683" OD |
| - | 0017-00104-0190 | 4 | Hardware: Flat Washer 0.734" OD |
| - | 0017-00101-1627 | 4 | Hardware: Hex Nut |
| - | OK58-01098-0000 | 1 | Hardware: Pivot Pin |

Lift Motor and Frame - International



| Ref # | Part Number | Qty | Description |
|-------|-----------------|-----|--|
| - | 0017-00007-0214 | 1 | Hardware: Clevis Pin 3/8" D 1.75" L |
| - | 0017-00042-1075 | 1 | Vinyl Cap |
| - | 0017-00101-1612 | 2 | Hardware: Phillips Screw 0.5" |
| - | OK58-01071-0000 | 2 | Wheel |
| - | 0017-00042-0840 | 1 | Hardware: Push Mount Clip |
| - | OK58-01089-0000 | 2 | Bronze Sleeve Bushings |
| - | OK58-01420-0000 | 1 | Lower Receptacle Bracket |
| - | OK58-01062-0000 | 1 | Lift Motor - 120/60 |
| - | AK58-00220-0000 | 1 | LIFT-FRAME ASSY: MFG. C |
| - | 0017-00032-0195 | 1 | Home Switch |
| - | 0017-00042-1076 | 4 | Lift Frame End Cap |
| - | 0017-00103-0285 | 2 | Hardware: Nut 5/8" ID |
| - | 0017-00101-1723 | 8 | Hardware: Phillips Pan Screw 0.375" |
| - | AK58-00514-0000 | 1 | Receptacle Assembly |
| - | 0017-00007-0208 | 1 | Hardware: Cotter Pin |
| - | 0017-00101-1777 | 2 | Hardware: Lift Frame Mounting Bolt 2.75" |
| - | 0017-00104-0189 | 2 | Hardware: Flat Washer 1" OD |
| - | OK58-01419-0000 | 1 | Line Cord Socket Bracket |
| - | OK58-01322-0000 | 2 | Lift Frame Pivot Cover |
| - | 0017-00003-0949 | 1 | IEC Receptacle |
| - | 0017-00101-1021 | 1 | Hardware: Lift Motor Hex Bolt 2.5" |
| - | 0017-00103-0025 | 1 | Hardware: Locking Nut 3/8" ID |

| Ref # | Part Number | Qty | Description |
|-------|-----------------|-----|----------------------------|
| - | 0017-00104-0259 | 2 | Hardware: Washer 1.331" OD |

Line Cords and Cables

| Ref # | Part Number | Qty | Description |
|-------|-----------------|-----|--|
| - | 111E-00001-0042 | 1 | Inductor: 15MH; 230V |
| - | AK58-00034-0001 | 1 | Console Power Cable |
| - | AK58-00210-0000 | 1 | Transformer-Bracket Assembly |
| - | AK58-00032-0000 | 1 | User Proximity Sensor Cable |
| - | AK26-00347-0002 | 1 | Cable-Assembly: Jumper; Outlet/Switch/White S/C-B |
| - | 0017-00003-0696 | 1 | Line Cord: International High Voltage (Cont.) 103" |
| - | AK58-00041-0001 | 1 | Heart Rate Sensor Cable |
| - | AK58-00522-0000 | 1 | Cable: Jumper; Power; LED Console |
| - | AK58-00263-0000 | 1 | Hi-Pot Jumper Cable |
| - | AK58-00027-0000 | 1 | Limit Switch Cable |
| - | AK26-00346-0002 | 1 | CBL-ASSY: JMPR;OUTLET/SW/BLK S/C-B |
| - | AK60-00181-0000 | 1 | Cable-Assembly: Power; T9; 31 IN. 200-240V S/C-C |
| - | 0017-00003-0626 | 1 | CIRCUIT-BREAKER:2A 200-240V |
| - | AK58-00224-0001 | 1 | Cable: MOV; Fliter |
| - | AK60-00179-0001 | 1 | HARNESS-ASSY: MFG; 230/50 S/C-D |

Miscellaneous

| Ref # | Part Number | Qty | Description |
|-------|-----------------|-----|---|
| - | AK60-00173-0000 | 1 | Hardware-Bag Assembly: Mfg; T9I BM |
| - | 0017-00008-0204 | 1 | Paint Spray Can - Arctic Silver |
| - | 0017-00008-0211 | 1 | Paint: Shadow-Gray Touch Up: .6 OZ Bottle |
| - | 0017-00008-0206 | 1 | .33oz Pen - Arctic Silver |
| - | 0017-00008-0210 | 1 | Paint: Shadow-Gray Touch Up: .6 OZ Bottle |
| - | 0017-00008-0205 | 1 | 5 oz Bottle - Arctic Silver |

