

CST Treadmill UK Eng High V ERP

CST-INHEK-01

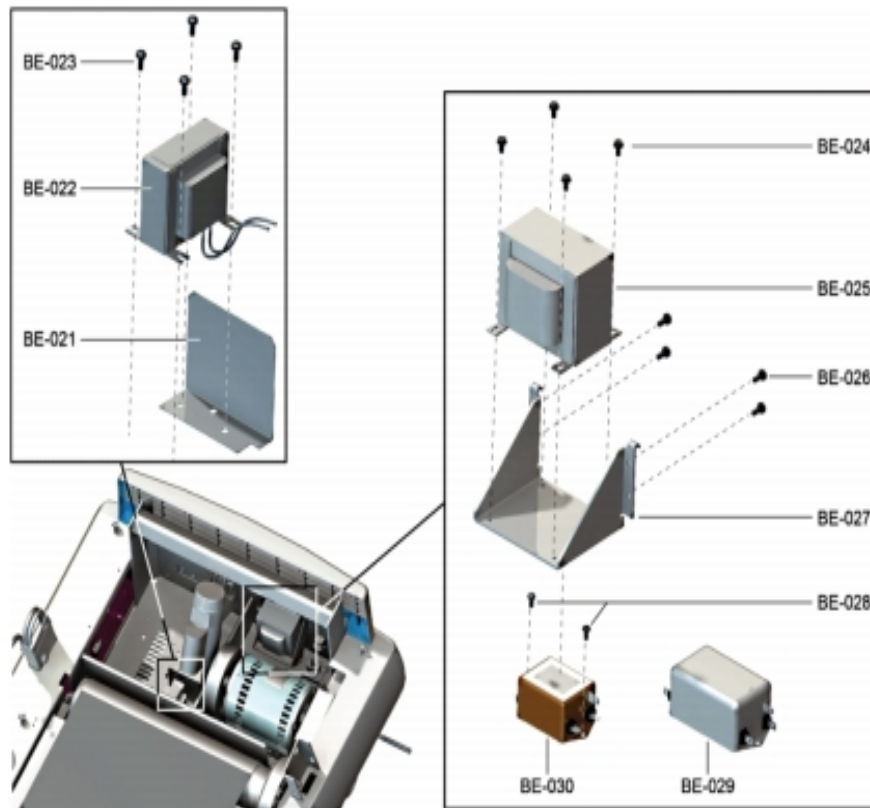
Parts Manual

1/5/2019 13:16:40 PM

Table of Contents

| | |
|---|--------------------|
| Base Frame Electronics - PFC, Line Filter and Transformer..... | 3 |
| Base Frame Electronics - DSP Motor Controller Assembly..... | 4 |
| Base Frame Electronics - Stride Sensor Assembly..... | 5 |
| Console Assembly..... | 6 |
| Drive Motor - Drive Motor Parts..... | 8 |
| Drive Motor - Main Drive System and Miscellaneous Components..... | 9 |
| Front Roller Assembly..... | 10 |
| LifePulse and Activity Zone Assembly..... | 11 |
| Lift System - Lift Frame Assembly..... | 12 |
| Lift System - Lift Motor Assembly..... | 13 |
| Lift System - Power Receptacle Assembly..... | 14 |
| Lower Frame - Drive Belt, Anti-Static Brush, Misc..... | 15 |
| Lower Frame - Leveler Assembly..... | 16 |
| Lower Frame - Motor Cover, Front Cover, End Caps..... | 17 |
| Lower Frame - Running Belt, Deck and Associated Components..... | 18 |
| Lower Frame - Side Mounted Components..... | 19 |
| Miscellaneous..... | 20 |
| Upper Frame Parts..... | 21 |
| Wiring..... | 22 |

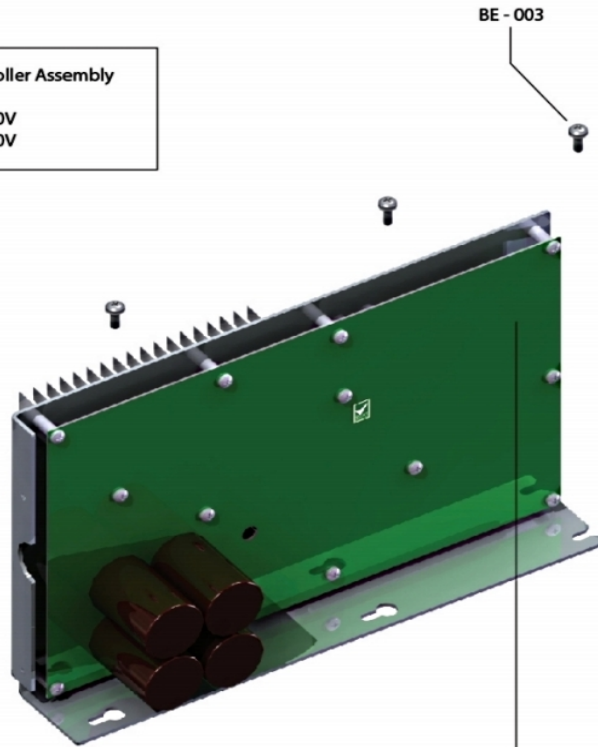
Base Frame Electornics - PFC, Line Filter and Transformer



| Ref # | Part Number | Qty | Description |
|---------------|-----------------|-----|-----------------------------------|
| BE-021 | 0K60-01215-0000 | 1 | Inductor Guard |
| BE-022 | 111E-00001-0042 | 1 | Inductor: 15MH; 230V |
| BE-023,BE-026 | 0017-00101-1781 | 8 | Hardware: Phillips Pan Screw 0.5" |
| BE-024 | 0017-00101-1193 | 4 | Hardware: Screw 0.375" |
| BE-025 | 0017-00003-0905 | 1 | Transformer (EURO Only) |
| BE-027 | 0K58-01314-0000 | 1 | Transformer Bracket |
| BE-028 | 0017-00101-0162 | 2 | Hardware: Screw 0.375" |
| BE-030 | 0017-00003-0898 | 1 | 10 amp Line Filter (INT) |

Base Frame Electronics - DSP Motor Controller Assembly

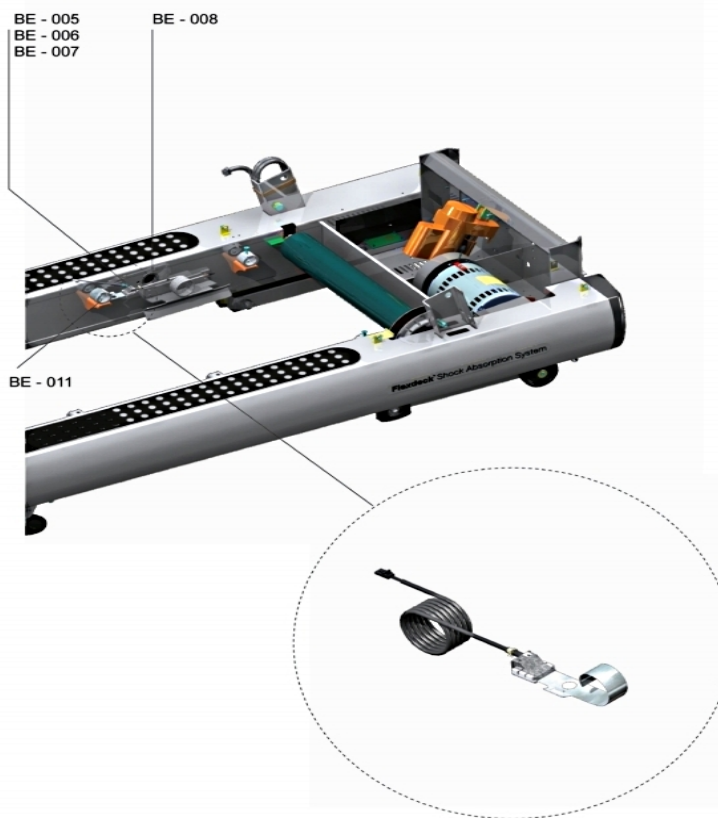
DSP Motor Controller Assembly
BE - 001: 100-120V
BE - 002: 200-240V



Note: Keep the jumper (BE - 004), the DSP Motor Controller is not supplied with it.

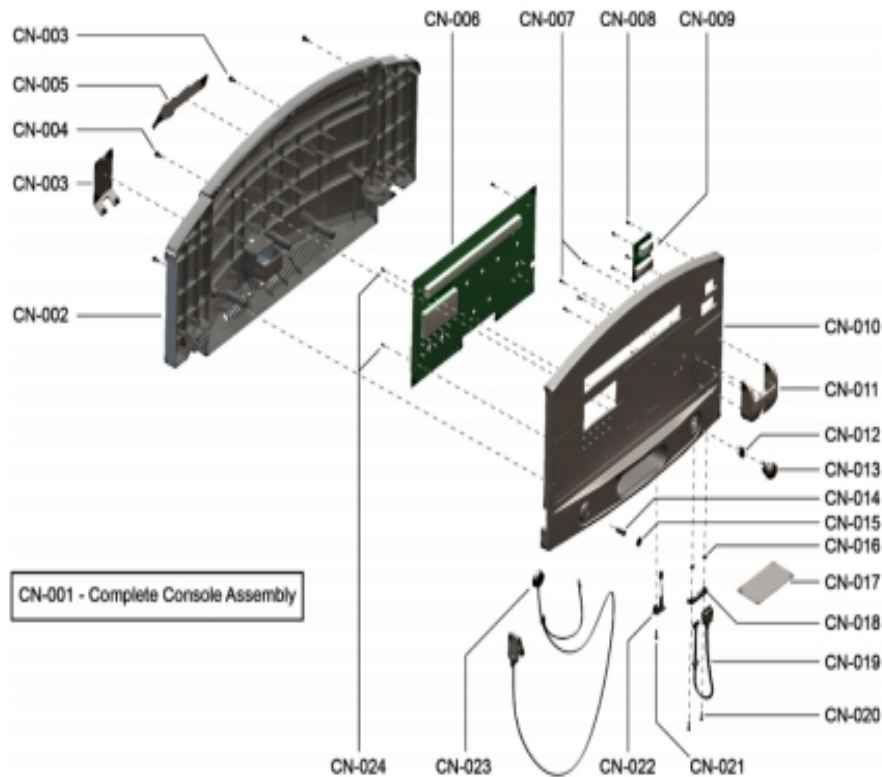
| Ref # | Part Number | Qty | Description |
|--------|-----------------|-----|--|
| BE-002 | AK98-00001-0005 | 1 | NC ASSEMBLY: PMC CONTROLLER; PCST TREADMILL 230V |
| BE-003 | 0017-00101-1781 | 3 | Hardware: Phillips Pan Screw 0.5" |
| BE-031 | B084-92513-0000 | 1 | PCB ASSY: B084-92513-0000 |

Base Frame Electronics - Stride Sensor Assembly



| Ref # | Part Number | Qty | Description |
|--------|-----------------|-----|--------------------------------|
| BE-006 | 0017-00101-0883 | 2 | Hardware: Screw 0.375" |
| BE-008 | 0017-00042-1180 | 1 | Hardware: Snap Bushing - 1.75" |

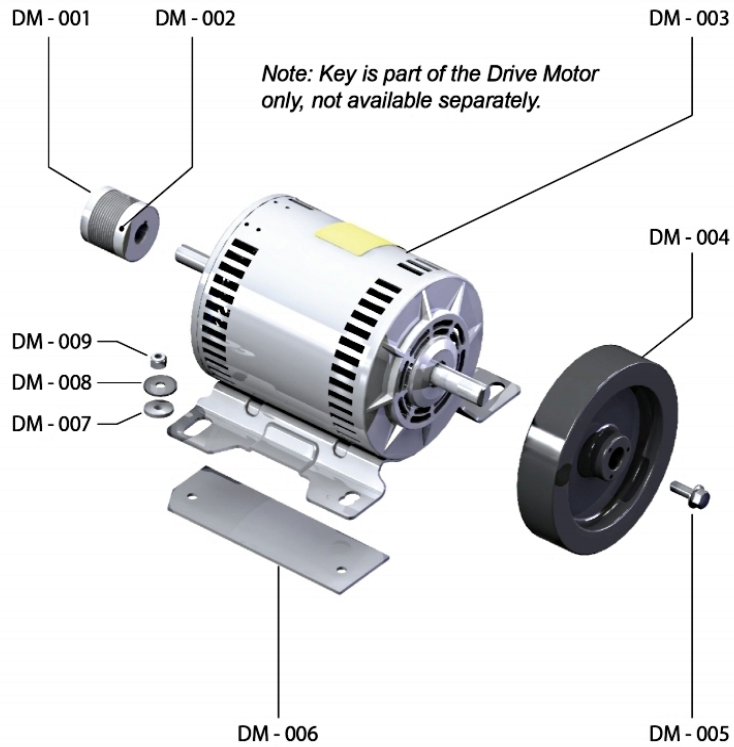
Console Assembly



| Ref # | Part Number | Qty | Description |
|---------------|----------------------|-----|---|
| CN-001 | CSLEDT-ENGMX-01 N | 1 | CLUB SERIES TREAD CONSOLE ENG/MET |
| CN-002 | 0K58-01272-0202 | 1 | Rear Console Case |
| CN-003 | 0K58-01280-0201 | 1 | Console Accessory Cover |
| CN-004 | 0017-00101-1288 | 8 | Hardware: Phillips Screw 0.5" |
| CN-005 | 0K58-01357-0001 | 1 | Rear Console Decal |
| CN-006 | A084-92366-0001 | 1 | PCB: Tread |
| CN-007 | 3223501 | 4 | Hardware: Holder Mounting Screw |
| CN-008,CN-024 | 0017-00101-1275 | 7 | Hardware: Phillips Screw 0.375" |
| CN-009 | B084-92255-0001 | 1 | Side Display PCB |
| CN-010 | AK86-00048-0000 | 1 | CON-BZL-SWCH ASSY CST ENG |
| CN-011 | 0K86-01003-0200 | 1 | iPod Holder |
| CN-012 | 0017-00032-0185 | 1 | Micro Switch 150GR |
| CN-013 | 0K58-01321-0000 | 1 | Stop Switch |
| CN-014 | AK58-00036-0000 | 1 | Cable-Assembly: Emergency-Stop Switch |
| CN-015 | 0K40-01070-0000 | 1 | Magnetic Disk |
| CN-016 | 0017-00103-0343 | 2 | Hardware: Self-Lock Nut |
| CN-017 | 0K86-01031-0700 | 1 | CD Tray Rubber Pad |
| CN-018 | 0K86-01004-0200 | 1 | iPod Cable Bracket |
| CN-019 | AK86-00088-0200 | 1 | OVERMOLDED IPOD CABLE; TREAD; INTEGRITY |
| CN-020,CN | 0017-00101-1811 | 3 | Hardware: Phillips Pan Screw 0.625" |

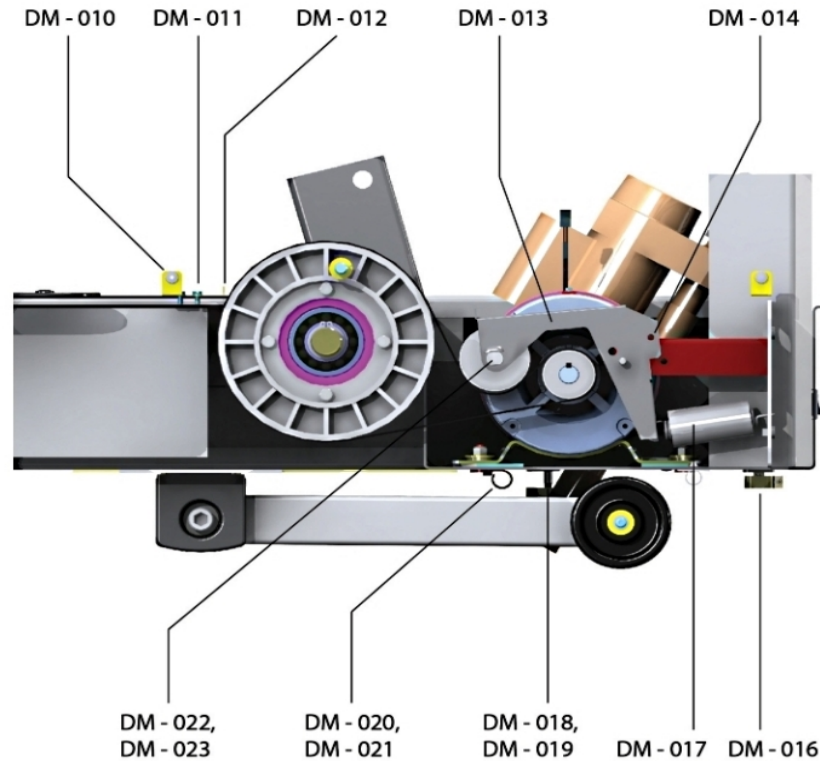
| Ref # | Part Number | Qty | Description |
|--------------|--------------------|------------|----------------------|
| -021 | | | |
| CN-022 | AK86-00025-0201 | 1 | Headphone Jack |
| CN-023 | AK58-00322-0000 | 1 | Tether Stop Assembly |

Drive Motor - Drive Motor Parts



| Ref # | Part Number | Qty | Description |
|--------|-----------------|-----|---------------------------------------|
| DM-001 | 0K58-01057-0001 | 1 | Drive Pulley - 1.971" |
| DM-002 | 0017-00101-0333 | 1 | Hardware: Screw 0.3125" |
| DM-003 | 0K58-01386-0004 | 1 | MOTOR: MAIN DRIVE, 230V/50HZ, W/TAPER |
| DM-004 | 0K58-01092-0004 | 1 | Cast Iron Flywheel |
| DM-005 | 0017-00101-1885 | 1 | Hardware: Hex Bolt 1" |
| DM-006 | 0K58-01256-0001 | 2 | Insulating Pad |
| DM-007 | 0K58-01255-0000 | 4 | Hardware: Insulating Washers |
| DM-008 | 0017-00104-0409 | 4 | Hardware: Washer 1.125" OD |
| DM-009 | 0017-00103-0027 | 4 | Hardware: Locking Nut. 5/16" ID |

Drive Motor - Main Drive System and Miscellaneous Components



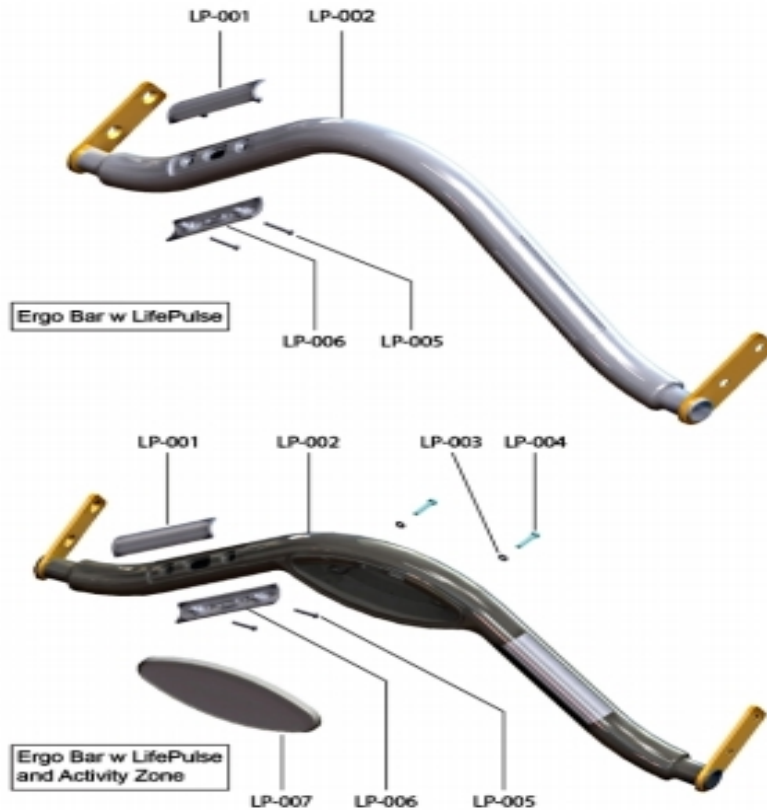
| Ref # | Part Number | Qty | Description |
|-------------------|-----------------|-----|---------------------------------------|
| DM-010 | 0017-00042-0326 | 1 | Hardware: Plastic Grommet |
| DM-011,D M-021 | 0017-00101-1193 | 3 | Hardware: Screw 0.375" |
| DM-012 | 0K58-01263-0001 | 1 | Tinsel Bracket |
| DM-013 | AK58-00053-0002 | 1 | Idler Arm Assembly |
| DM-014 | 0017-00007-0248 | 1 | Hardware: Locking Pin .31" D 2.125" L |
| DM-016 | 0K26-02055-0000 | 1 | Spring Damper |
| DM-017 | 0K58-01085-0000 | 1 | Extension Spring |
| DM-018 | 0017-00032-0195 | 1 | Home Switch |
| DM-019 | AK58-00027-0000 | 1 | Limit Switch Cable |
| DM-020 | 0017-00042-1072 | 1 | Hardware: Wire Clamp - 5/8" |
| DM-022 | 0K58-01084-0002 | 1 | Threaded Shaft |
| DM-023 | 0017-00103-0324 | 1 | Hardware: Thin Lock Nut 3/8" ID |

Front Roller Assembly



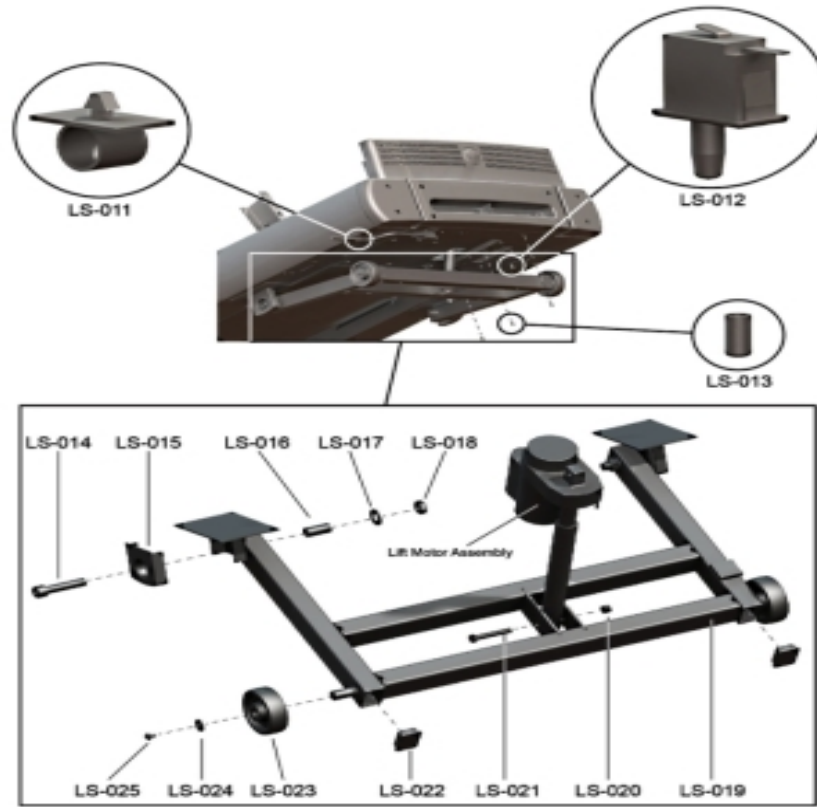
| Ref # | Part Number | Qty | Description |
|--------|-----------------|-----|----------------------------------|
| FR-001 | AK58-00066-0000 | 1 | Front Roller Assembly |
| FR-002 | 0017-00101-1632 | 1 | Hardware: Hex Bolt 0.875" |
| FR-003 | 0017-00104-0005 | 1 | Hardware: Lock Washer 0.489" OD |
| FR-004 | 0017-00104-0330 | 1 | Hardware: Flat Washers 0.562" OD |
| FR-005 | 0K58-01105-0000 | 1 | Drive Pulley Poly V - 8" |
| FR-006 | 0K58-01001-0001 | 1 | Front Roller - 3.5" |
| FR-007 | 0017-00104-0063 | 1 | WSH 645-1.00-012 SP-D ST PH B |
| FR-008 | 0017-00104-0043 | 1 | Hardware: Flat Washer 0.734" OD |
| FR-009 | 0017-00101-0974 | 1 | Hardware: Mounting Bolt 2" |

LifePulse and Activity Zone Assembly



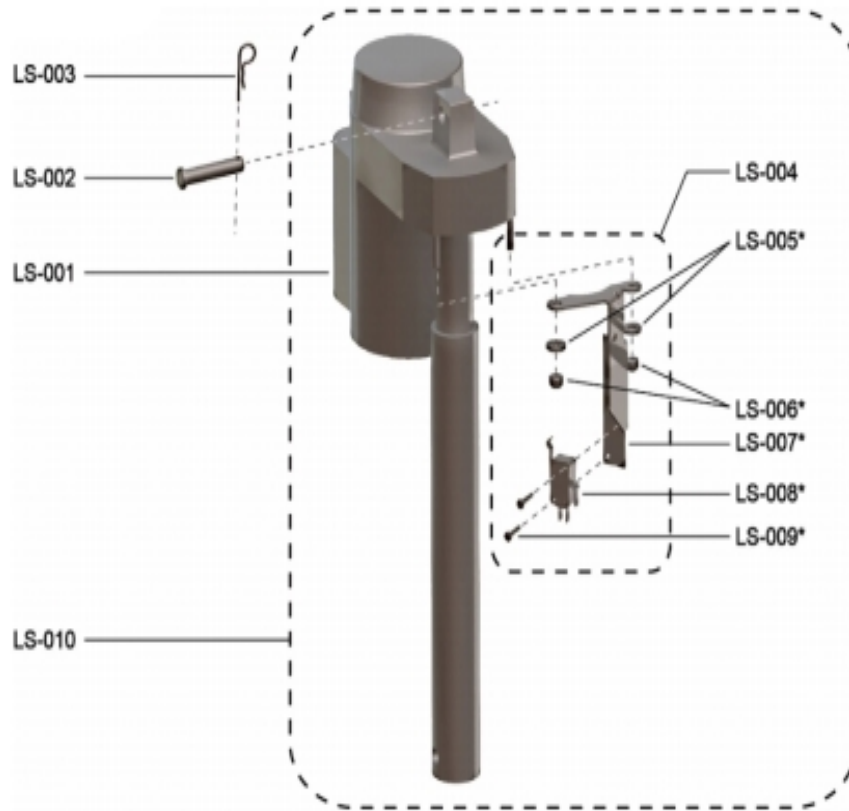
| Ref # | Part Number | Qty | Description |
|--------|-----------------|-----|--|
| LP-001 | AK60-00079-0203 | 2 | Top Electrode |
| LP-002 | AK58-00664-0000 | 1 | Ergo Bar w/Lifepulse and Activity Zone |
| LP-003 | 0017-00104-0411 | 2 | Hardware: Flat Washer 0.375" OD |
| LP-005 | 0017-00101-2054 | 4 | Hardware: Screw 1" |
| LP-006 | AK60-00080-0203 | 2 | Bottom Electrode |
| LP-007 | 0K86-01029-0000 | 1 | Overlay: Activity Zone 97Ti |

Lift System - Lift Frame Assembly



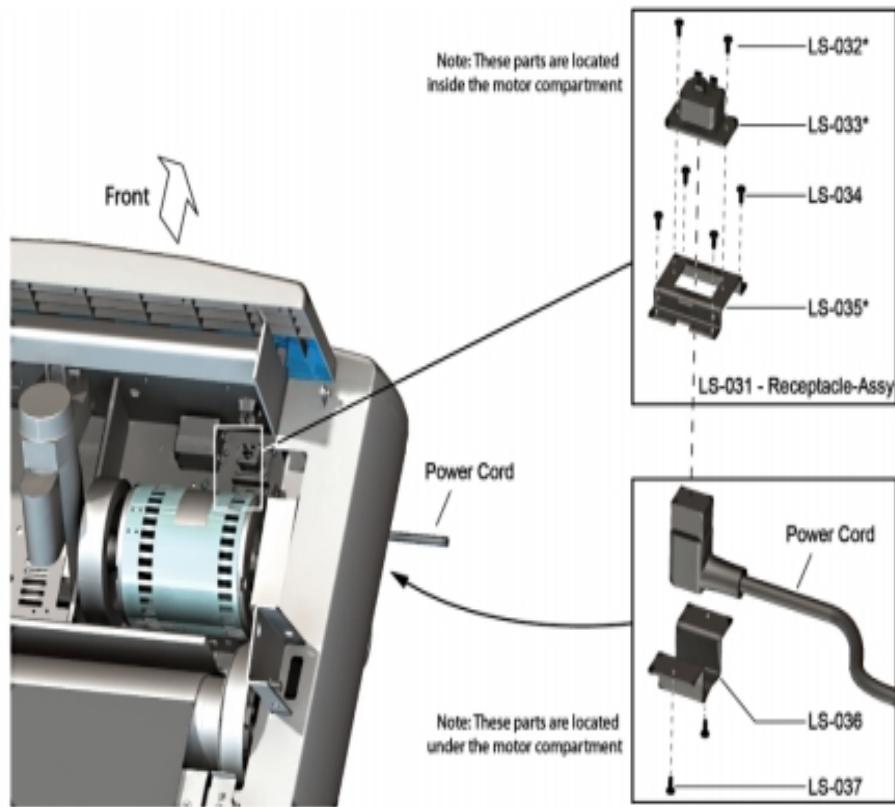
| Ref # | Part Number | Qty | Description |
|--------|-----------------|-----|--|
| LS-011 | 0017-00042-0840 | 1 | Hardware: Push Mount Clip |
| LS-012 | 0017-00032-0195 | 1 | Home Switch |
| LS-013 | 0017-00042-1075 | 1 | Vinyl Cap |
| LS-014 | 0017-00101-1777 | 2 | Hardware: Lift Frame Mounting Bolt 2.75" |
| LS-015 | 0K58-01322-0000 | 2 | Lift Frame Pivot Cover |
| LS-016 | 0K58-01089-0000 | 2 | Bronze Sleeve Bushings |
| LS-017 | 0017-00104-0259 | 2 | Hardware: Washer 1.331" OD |
| LS-018 | 0017-00103-0285 | 2 | Hardware: Nut 5/8" ID |
| LS-019 | AK58-00220-0000 | 1 | LIFT-FRAME ASSY: MFG. C |
| LS-020 | 0017-00103-0025 | 1 | Hardware: Locking Nut 3/8" ID |
| LS-021 | 0017-00101-1021 | 1 | Hardware: Lift Motor Hex Bolt 2.5" |
| LS-022 | 0017-00042-1076 | 4 | Lift Frame End Cap |
| LS-023 | 0K58-01071-0000 | 2 | Wheel |
| LS-024 | 0017-00104-0189 | 2 | Hardware: Flat Washer 1" OD |
| LS-025 | 0017-00101-1612 | 2 | Hardware: Phillips Screw 0.5" |

Lift System - Lift Motor Assembly



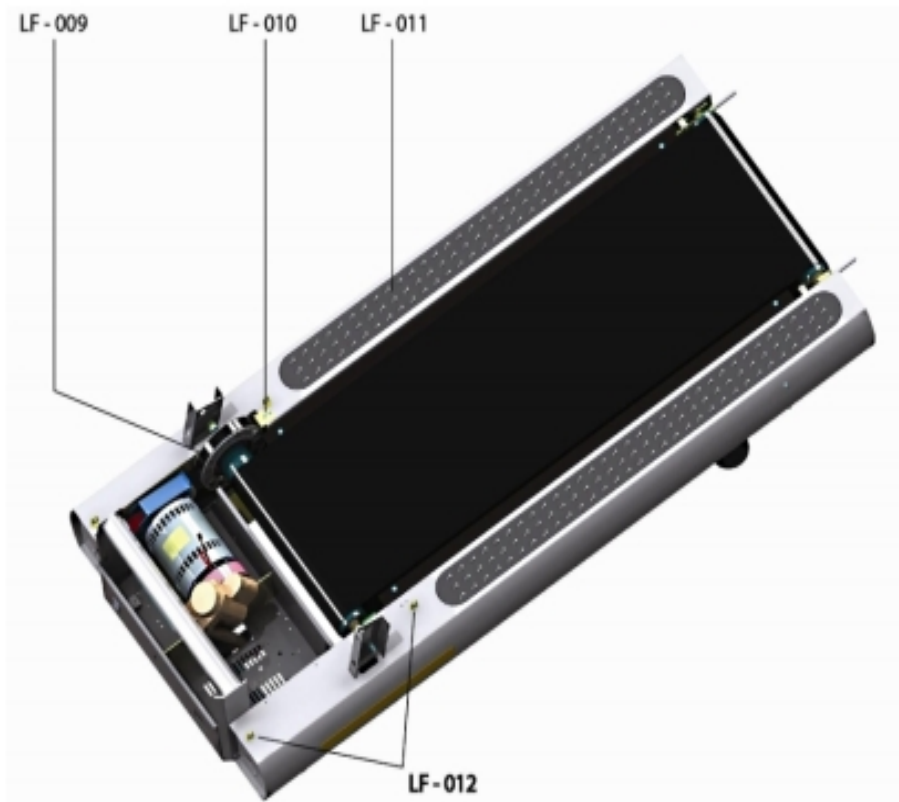
| Ref # | Part Number | Qty | Description |
|--------|-----------------|-----|-------------------------------------|
| LS-001 | 0K58-01062-0000 | 1 | Lift Motor - 120/60 |
| LS-002 | 0017-00007-0214 | 1 | Hardware: Clevis Pin 3/8" D 1.75" L |
| LS-003 | 0017-00007-0208 | 1 | Hardware: Cotter Pin |

Lift System - Power Receptacle Assembly



| Ref # | Part Number | Qty | Description |
|----------------------|-----------------|-----|-------------------------------------|
| LS-031 | AK58-00514-0000 | 1 | Receptacle Assembly |
| LS-032,LS-034,LS-037 | 0017-00101-1723 | 8 | Hardware: Phillips Pan Screw 0.375" |
| LS-033 | 0017-00003-0949 | 1 | IEC Receptacle |
| LS-035 | 0K58-01419-0000 | 1 | Line Cord Socket Bracket |
| LS-036 | 0K58-01420-0000 | 1 | Lower Receptacle Bracket |

Lower Frame - Drive Belt, Anti-Static Brush, Misc



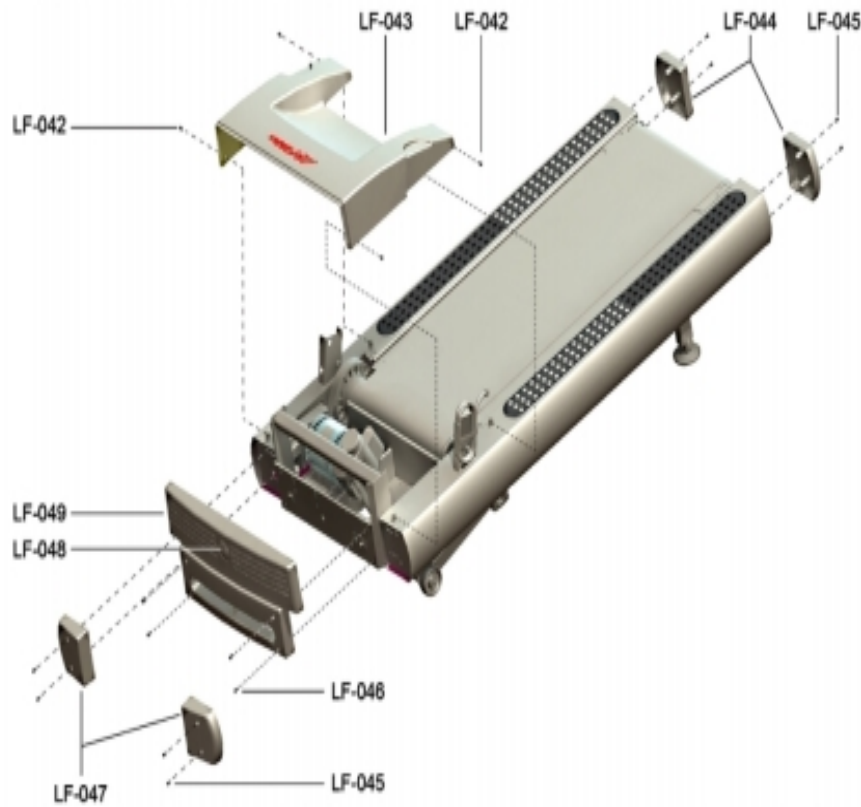
| Ref # | Part Number | Qty | Description |
|--------|-----------------|-----|----------------------------|
| LF-009 | 0K58-01114-0000 | 1 | Poly-V Drive Belt - 370J12 |
| LF-010 | 0K58-01263-0001 | 1 | Tinsel Bracket |
| LF-010 | 0017-00101-1193 | 2 | Hardware: Screw 0.375" |
| LF-011 | 0K58-01376-0201 | 2 | Anti-Scuff Pad |
| LF-012 | 0017-00042-0326 | 1 | Hardware: Plastic Grommet |

Lower Frame - Leveler Assembly



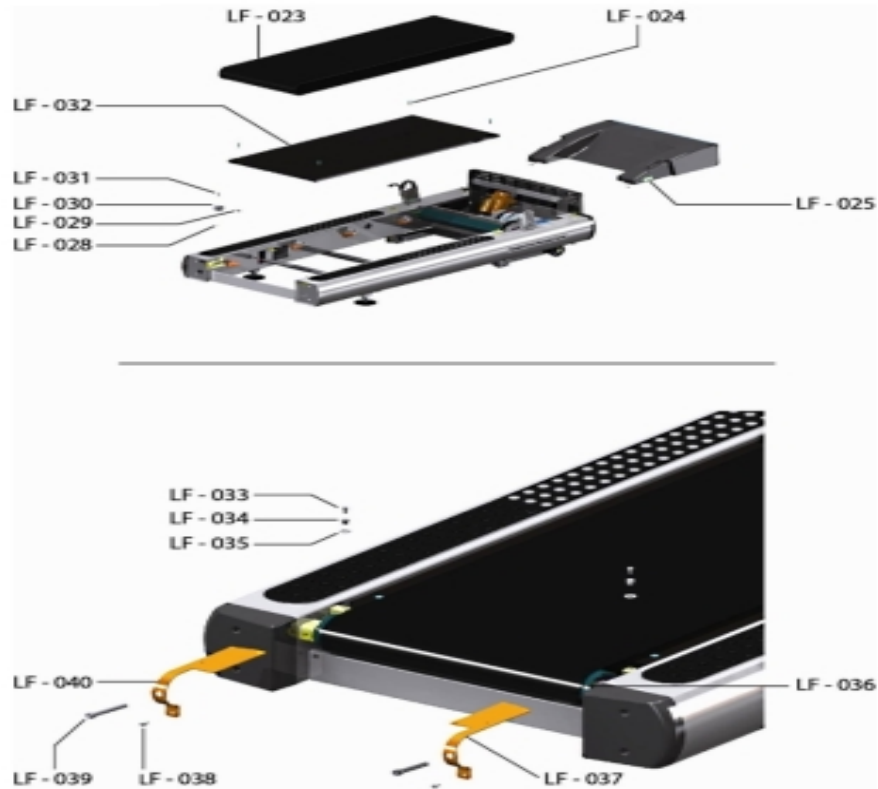
| Ref # | Part Number | Qty | Description |
|---------------|-----------------|-----|------------------------------------|
| LF-001,LF-002 | AK58-00370-0000 | 2 | Leveler Assembly |
| LF-003 | 0K58-01098-0000 | 1 | Hardware: Pivot Pin |
| LF-004 | 0K58-01099-0000 | 1 | Hardware: Stop Nut |
| LF-005 | 0K58-01110-0000 | 1 | Leveler Foot |
| LF-006 | 0017-00101-1652 | 4 | Hardware: Spring Mounting Screw 1" |
| LF-007 | 0017-00104-0333 | 4 | Hardware: Washer 0.683" OD |
| LF-008 | 0017-00104-0190 | 1 | Hardware: Flat Washer 0.734" OD |

Lower Frame - Motor Cover, Front Cover, End Caps



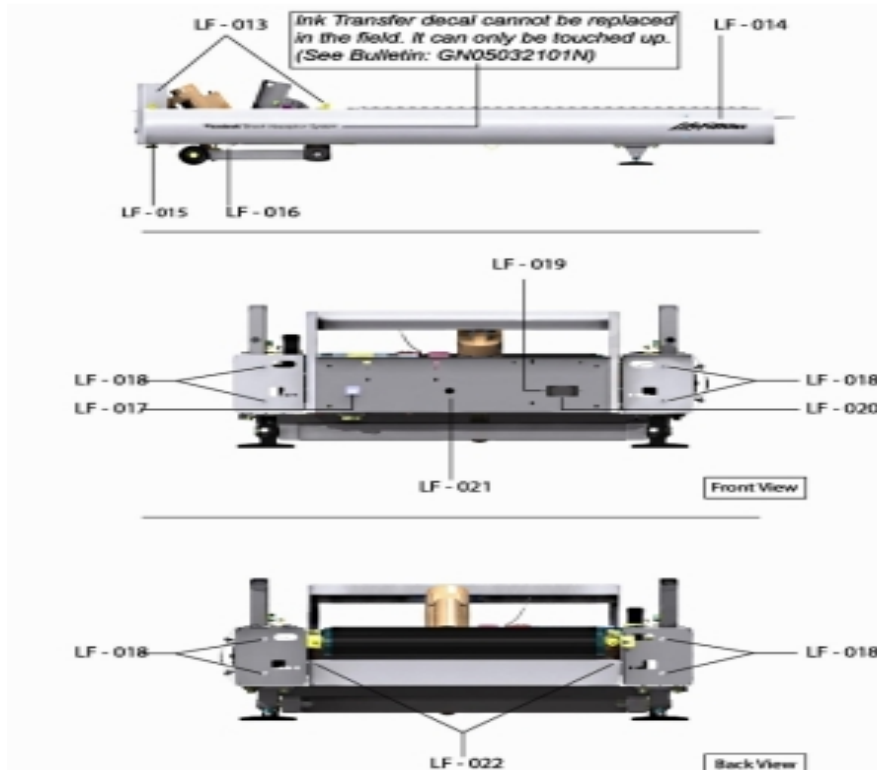
| Ref # | Part Number | Qty | Description |
|---------------|-----------------|-----|---|
| LF-042,LF-045 | 0017-00101-1772 | 8 | Hardware: Phillips Pan Screw 0.5" |
| LF-043 | AK60-00226-0201 | 1 | Motor-Shroud Assembly: Mfg; Chestnut; INT |
| LF-044 | 0K58-01268-0202 | 2 | ENDCAP: REAR; SHDW-02XX |
| LF-046 | 0017-00101-1771 | 4 | Hardware: Phillips Pan Screw |
| LF-047 | 0K58-01267-0201 | 2 | Front End Cap |
| LF-048 | AK58-00245-0001 | 1 | Bug Medallion |
| LF-049 | 0K58-01266-0201 | 1 | Shroud: Front Cover |
| LF-049 | AK58-00272-0201 | 1 | Front Cover w/Bug Medallion |

Lower Frame - Running Belt, Deck and Associated Components



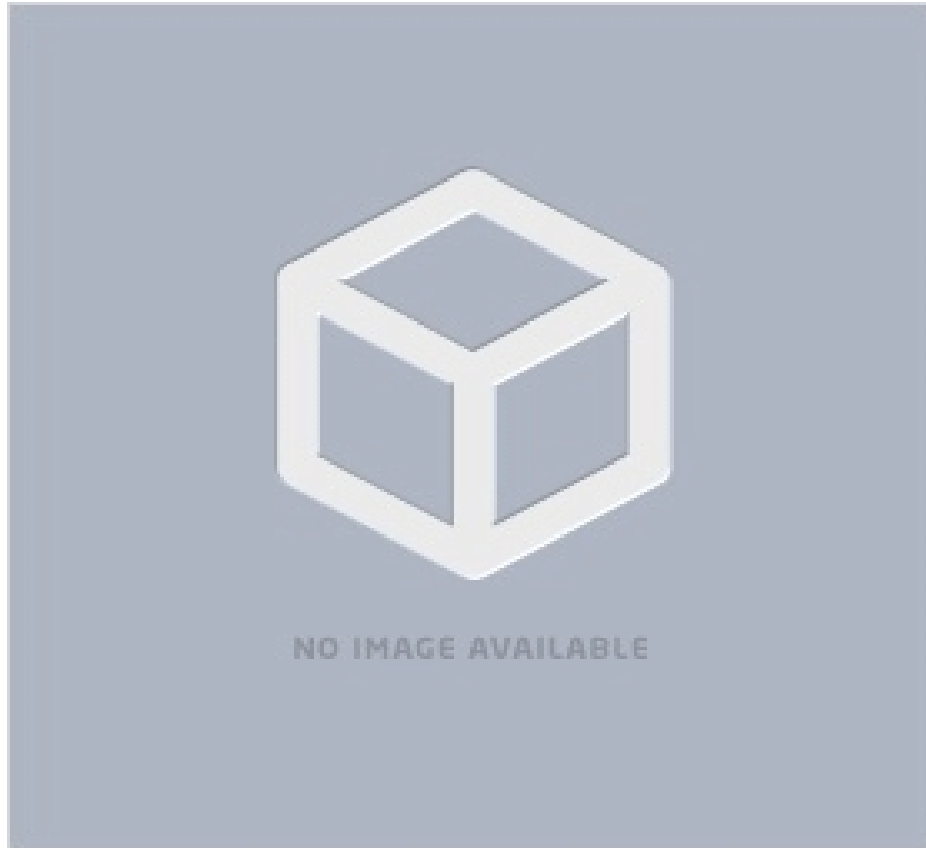
| Ref # | Part Number | Qty | Description |
|---------------|-----------------|-----|------------------------------------|
| LF-023 | 0K60-01206-0000 | 1 | Belt: Walking; Lube; with Logo C |
| LF-024 | 0017-00101-1775 | 4 | Hardware: Deck Screws 1.25" |
| LF-026 | M051-00K58-A100 | 1 | Label: Belt Limit: Right |
| LF-028 | 0017-00104-0101 | 8 | Hardware: Flat Washer 0.437" OD |
| LF-028 | 0017-00104-0072 | 8 | Hardware: Flat Washer 0.562" OD |
| LF-029 | 0017-00103-0198 | 8 | Hardware: Tinnerman Clip 1/4" ID |
| LF-030 | 0K40-01026-0002 | 8 | Deck Spring |
| LF-031 | 0017-00101-1652 | 8 | Hardware: Spring Mounting Screw 1" |
| LF-032 | 0K60-01204-0000 | 1 | Deck: Treadmill; T9L C |
| LF-033,LF-038 | 0017-00101-1776 | 5 | Hardware: Mounting Screw 0.5" |
| LF-034 | 0017-00042-0326 | 1 | Hardware: Plastic Grommet |
| LF-035 | 0017-00104-0043 | 1 | Hardware: Flat Washer 0.734" OD |
| LF-036 | 0K58-01002-0000 | 1 | Rear Roller - 3.5" |
| LF-037 | AK58-00360-0001 | 1 | Rear Roller Guard: Right |
| LF-039 | 0017-00101-1880 | 2 | Hardware: Tension Bolts 3" |
| LF-040 | AK58-00360-0002 | 1 | Rear Roller Guard: Left |

Lower Frame - Side Mounted Components



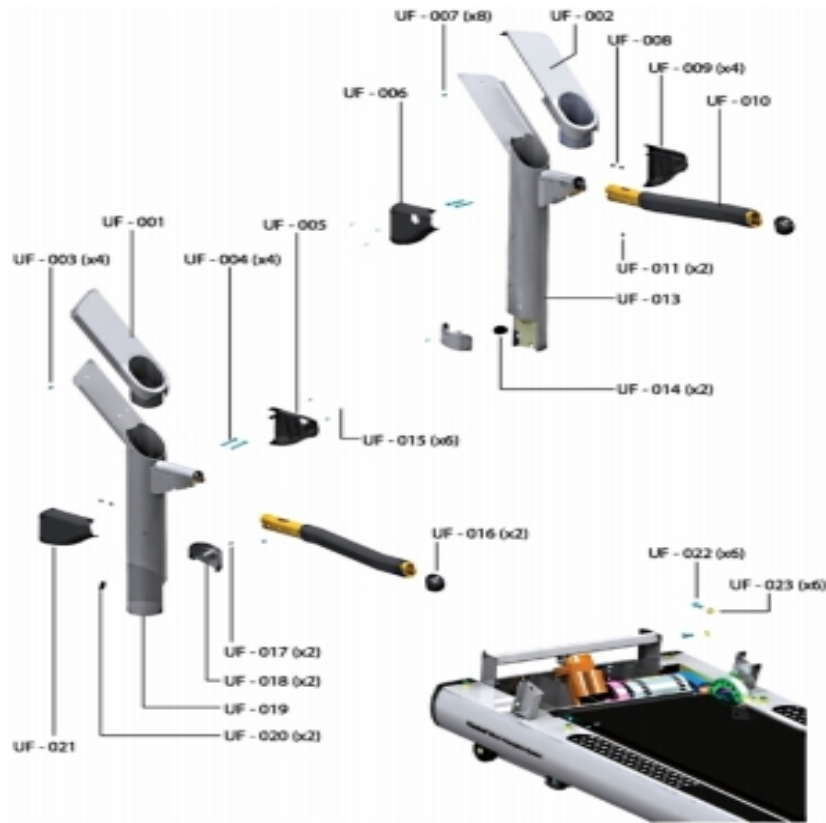
| Ref # | Part Number | Qty | Description |
|---------------|-----------------|-----|---|
| LF-013,LF-018 | 0017-00042-0326 | 2 | Hardware: Plastic Grommet |
| LF-014 | 0K60-01193-0000 | 1 | Decal: LF Logo |
| LF-015 | 0017-00042-0840 | 1 | Hardware: Push Mount Clip |
| LF-016 | 0017-00042-1072 | 1 | Hardware: Wire Clamp - 5/8" |
| LF-017 | 0017-00032-0198 | 1 | On/Off Switch 22A |
| LF-019 | 0017-00101-0162 | 1 | Hardware: Screw 0.375" |
| LF-020 | 0K60-01221-0000 | 1 | PLATE: ACCESS-COVER B |
| LF-021 | 0017-00042-1053 | 1 | Plug (For units not equipped with circuit breaker.) |
| LF-022 | 0017-00042-1147 | 2 | Hardware: Nylon Grommet |

Miscellaneous



| Ref # | Part Number | Qty | Description |
|-------|-----------------|-----|---------------------------------|
| - | 0017-00008-0205 | 1 | 5 oz Bottle - Arctic Silver |
| - | 0017-00008-0206 | 1 | .33oz Pen - Arctic Silver |
| - | 0017-00101-1741 | 1 | Hardware: Screw |
| - | GK63-00002-0003 | 1 | C-SAFE Network Kit |
| - | 0017-00008-0204 | 1 | Paint Spray Can - Arctic Silver |
| - | GK63-00002-0005 | 1 | Power Option Kit: 120V |

Upper Frame Parts



| Ref # | Part Number | Qty | Description |
|---------------|-----------------|-----|-----------------------------------|
| UF-001 | AK58-00247-0010 | 1 | Cup Cover: Left |
| UF-002 | AK58-00247-0009 | 1 | Cup Cover: Right |
| UF-003,UF-011 | 0017-00101-1773 | 6 | Hardware: TORX Screw 0.5" |
| UF-004 | 0017-00101-1774 | 4 | Hardware: TORX Screw 2.5" |
| UF-005 | 0K58-01304-0204 | 1 | Bottom Handrail Boot Cover: Left |
| UF-006 | 0K58-01304-0203 | 1 | Bottom Handrail Boot Cover: Right |
| UF-008 | 0017-00103-0327 | 4 | Hardware: Hex Nut 5/16" ID |
| UF-009 | 0K58-01303-0203 | 1 | Top Handrail Boot Cover: Right |
| UF-010 | AK58-00256-0202 | 2 | Handrail |
| UF-013 | AK58-00311-5111 | 1 | Upright: Right |
| UF-014 | 0017-00042-0326 | 2 | Hardware: Plastic Grommet |
| UF-015 | 0017-00101-1770 | 6 | Hardware: Phillips Pan Screw 0.5" |
| UF-016 | 0K58-01396-0201 | 2 | Handrail End Cap |
| UF-017 | 0017-00101-1772 | 2 | Hardware: Phillips Pan Screw 0.5" |
| UF-018 | 0K58-01302-0103 | 2 | Cap: Upright Tube; Arctic Silver |
| UF-019 | AK58-00311-5112 | 1 | Upright: Left |
| UF-020 | 0K58-01305-0002 | 2 | Upright Plug |
| UF-021 | 0K58-01303-0204 | 1 | Top Handrail Boot Cover: Left |
| UF-022 | 0017-00101-1778 | 6 | Hardware: Hex Bolt 1" |
| UF-023 | 0017-00104-0325 | 6 | Hardware: Washer 0.873" OD |

| Ref # | Part Number | Qty | Description |
|--------|-----------------|-----|---|
| CBL-01 | AK58-00034-0001 | 1 | Console Power Cable |
| CBL-02 | 0K92-01088-0001 | 1 | CBL ASSY: ErP/MC COMMUNICATION |
| CBL-03 | 0K92-01091-0000 | 1 | CBL ASSY: CONTROLLER POWER, INDUCTOR |
| CBL-04 | AK58-00083-0000 | 1 | Cable Assembly |
| CBL-05 | 0K92-01089-0000 | 1 | CBL ASSY: ErP POWER |
| CBL-06 | AK58-00263-0000 | 1 | Hi-Pot Jumper Cable |
| CBL-07 | AK58-00560-0000 | 1 | Stride Sensor Assembly |
| CBL-08 | 0K92-01092-0000 | 1 | CBL ASSY: STRIDE SENSE EXTENSION |
| CBL-09 | AK58-00081-0000 | 1 | Jumper Cable Assembly: Black - 4" |
| CBL-10 | AK58-00082-0000 | 1 | Jumper Cable Assembly: White - 6" |
| CBL-11 | AK58-00027-0000 | 1 | Limit Switch Cable |
| CBL-12 | AK86-00088-0200 | 1 | OVERMOLDED IPOD CABLE; TREAD; INTEGRITY |
| CBL-13 | AK32-00124-0002 | 1 | Headphone Jack Cable - 3.5 mm |
| CBL-14 | AK86-00003-0001 | 1 | iPod Console Cable: Tread |
| CBL-15 | AK69-00154-0000 | 1 | Polar Cable |
| CBL-16 | AK58-00032-0000 | 1 | User Proximity Sensor Cable |
| CBL-17 | AK58-00036-0000 | 1 | Cable-Assembly: Emergency-Stop Switch |
| CBL-18 | AK58-00041-0001 | 1 | Heart Rate Sensor Cable |
| CBL-19 | 0017-00003-0890 | 1 | Line Cord: UK |

