

# CT8500 Cross-Trainer Rear Drive Universal Console

CT85-0103-03

## Parts Manual

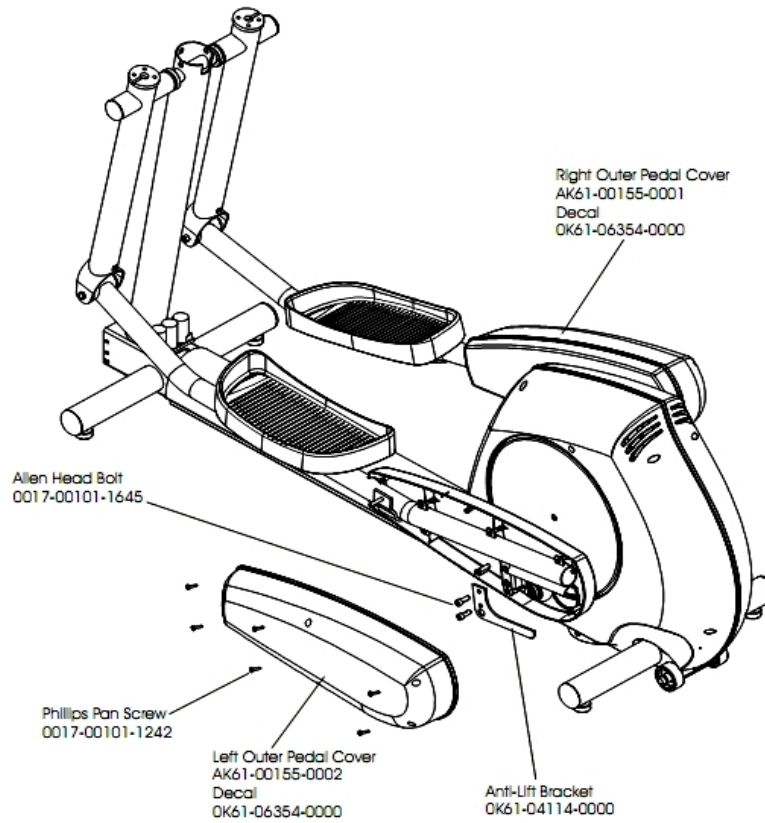
1/5/2019 13:21:01 PM

**Table of Contents**

---

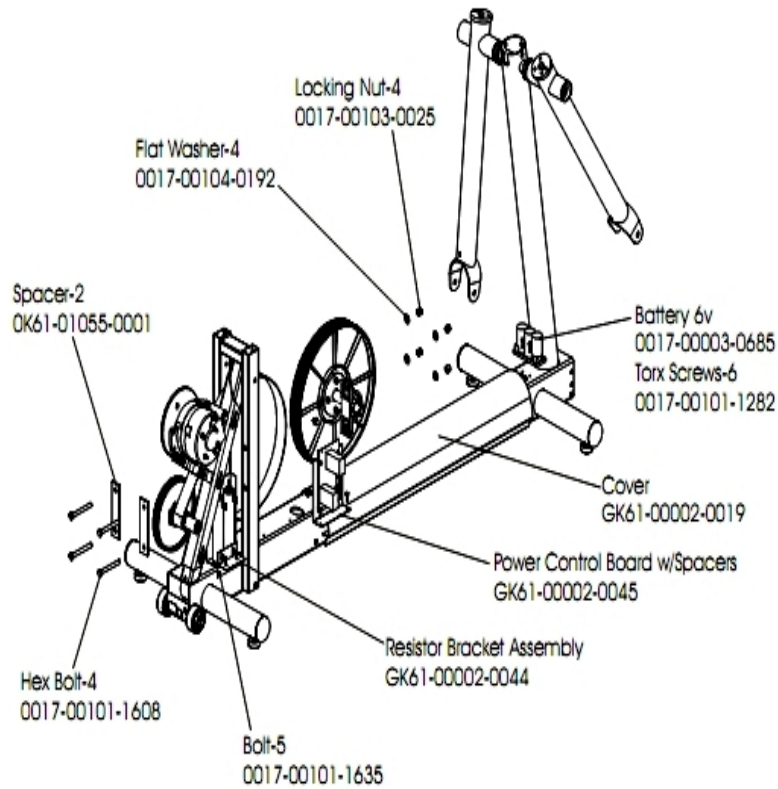
<a href="#">Anti-Lift Bracket And Outer Pedal Covers.....</a>	<a href="#">3</a>
<a href="#">Battery, Brackets, And Frame Cover.....</a>	<a href="#">4</a>
<a href="#">Cables.....</a>	<a href="#">5</a>
<a href="#">Clevis And Front Frame Covers.....</a>	<a href="#">6</a>
<a href="#">Console Assembly.....</a>	<a href="#">7</a>
<a href="#">Console Support Assembly.....</a>	<a href="#">8</a>
<a href="#">Crankshaft Assembly.....</a>	<a href="#">9</a>
<a href="#">Crank Arm W/Roller Assembly.....</a>	<a href="#">10</a>
<a href="#">Drive Belts And Alternator.....</a>	<a href="#">11</a>
<a href="#">Final Frame Drive Linkage Assembly.....</a>	<a href="#">12</a>
<a href="#">General Assembly.....</a>	<a href="#">13</a>
<a href="#">Pedal Lever Assembly.....</a>	<a href="#">14</a>
<a href="#">Rear Drive Shrouds W/Decals.....</a>	<a href="#">15</a>
<a href="#">Rocker Arm Assembly.....</a>	<a href="#">16</a>
<a href="#">Rocker Arm Covers.....</a>	<a href="#">17</a>
<a href="#">Upper Arm Heart Rate Assembly.....</a>	<a href="#">18</a>

## Anti-Lift Bracket And Outer Pedal Covers



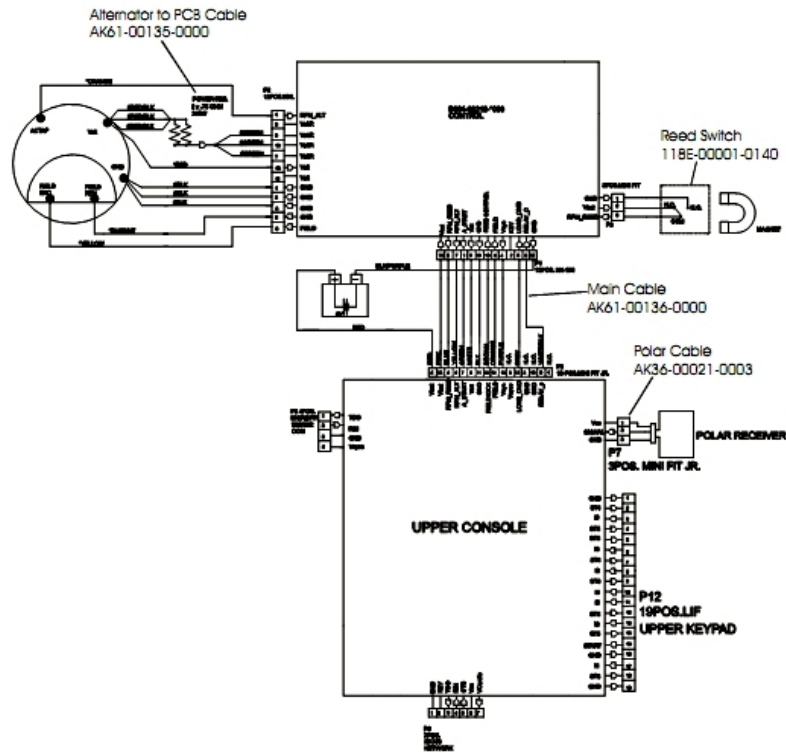
Ref #	Part Number	Qty	Description
-	OK61-06354-0000	2	Decal
-	0017-00101-1242	6	Hardware: Phillips Pan Screw 0.75"
-	AK61-00155-0002	1	Outer Pedal Cover: Left
-	OK61-04114-0000	1	Roller Retainer Plate
-	AK61-00155-0001	1	Outer Pedal Cover: Right
-	0017-00101-1645	6	Hardware: Bolt

## Battery, Brackets, And Frame Cover



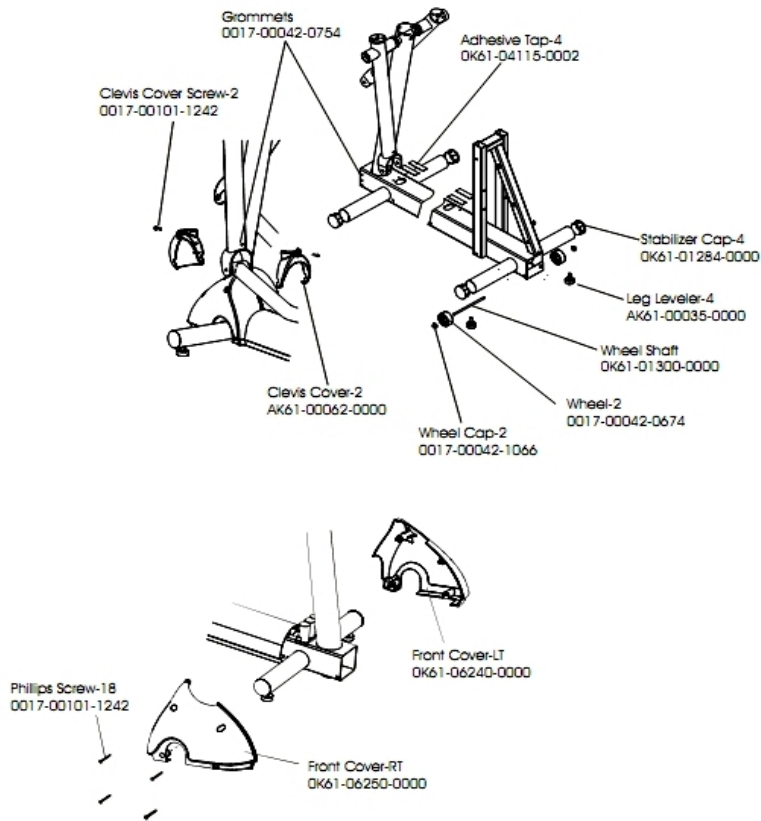
Ref #	Part Number	Qty	Description
-	GK61-00002-0045	1	Power Control Board
-	GK61-00002-0019	1	Cover
-	GK61-00002-0044	1	Resistor Bracket Assembly
-	0017-00104-0192	4	Hardware: Flat Washer 0.813" OD
-	0017-00003-0685	1	6V Battery
-	0017-00101-1608	1	Hardware: Hex Bolt
-	0017-00103-0025	4	Hardware: Locking Nut 3/8" ID
-	0017-00101-1635	5	Hardware: Hex Bolt 1"
-	GK61-01055-0001	1	Spacer
-	0017-00101-1282	1	Hardware: TORX Screw 0.375"

**Cables**



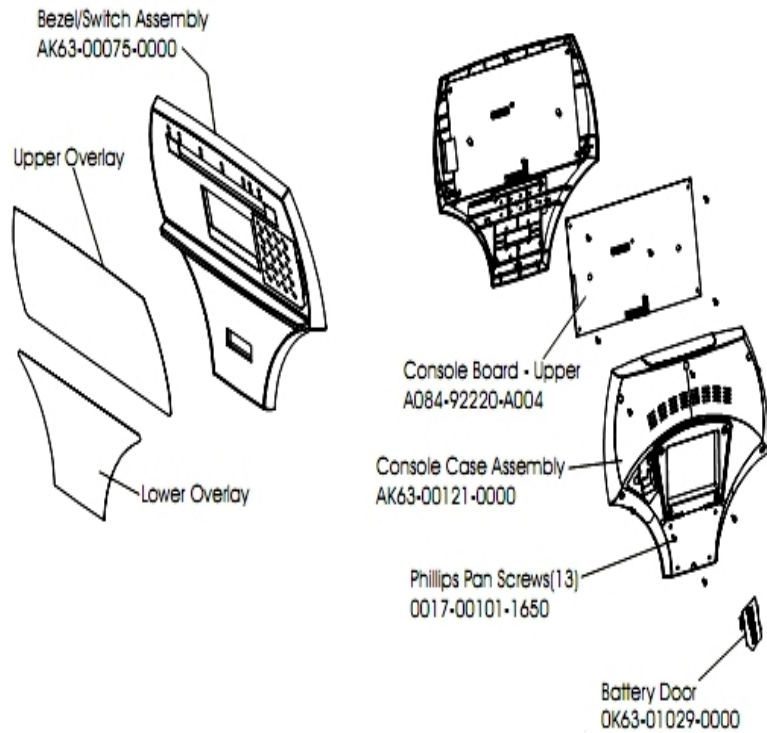
Ref #	Part Number	Qty	Description
-	AK36-00021-0003	1	Cable Assembly
-	118E-00001-0140	1	Reed Switch SPDT
-	AK61-00135-0000	1	Power Control Cable Assembly
-	AK61-00136-0000	1	Main Cable

## Clevis And Front Frame Covers



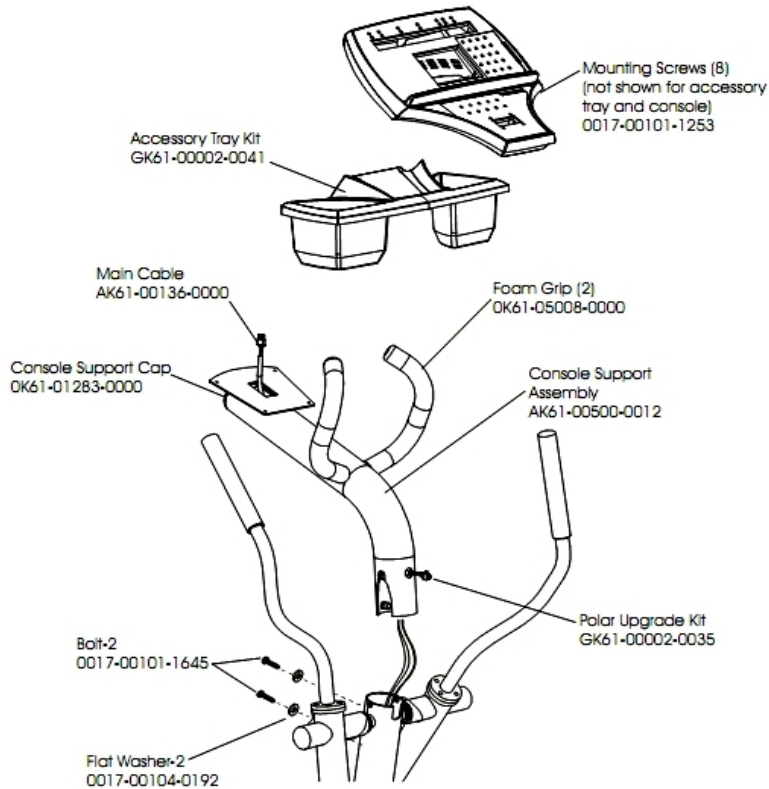
Ref #	Part Number	Qty	Description
-	AK61-00035-0000	1	Leg Leveler
-	AK61-00062-0000	1	Clevis Cover
-	OK61-04115-0002	1	Adhesive Tape
-	OK61-06240-0000	1	Front Cover Left
-	0017-00042-0674	1	Wheel
-	0017-00042-0754	8	Hardware: Grommet
-	0017-00042-1066	1	Push-on cap
-	OK61-01284-0000	1	Stabilizer Cap
-	0017-00101-1242	2	Hardware: Phillips Pan Screw 0.75"
-	OK61-01300-0000	1	Wheel Shaft
-	OK61-06250-0000	1	Front Cover Right

## Console Assembly



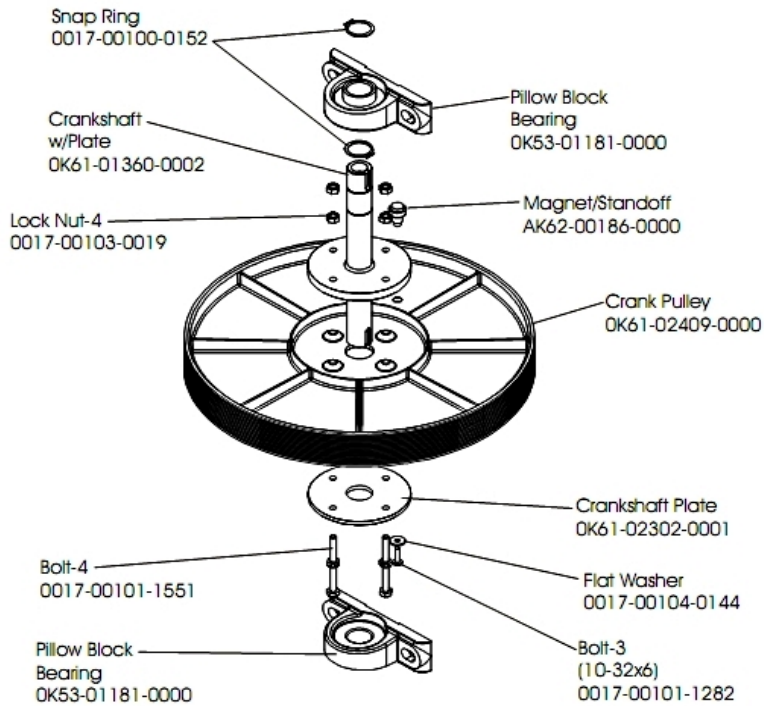
Ref #	Part Number	Qty	Description
-	AK63-00121-0000	1	Console Case Assembly
-	0017-00101-1650	1	Hardware: Phillips Pan Screw 0.375"
-	AK63-00075-0000	1	Bezel/Switch Assembly
-	OK63-01029-0000	1	Battery Door
-	OK61-01315-0001	1	Lower Overlay English/Met
-	AK61-00122-0001	1	Overlay/Bezel: English/Metric
-	A084-92220-A004	1	Console Board - Upper
-	AK61-00121-0001R	1	Console: English/Metric
-	OK61-01281-0001	1	Upper Overlay English/Met

## Console Support Assembly



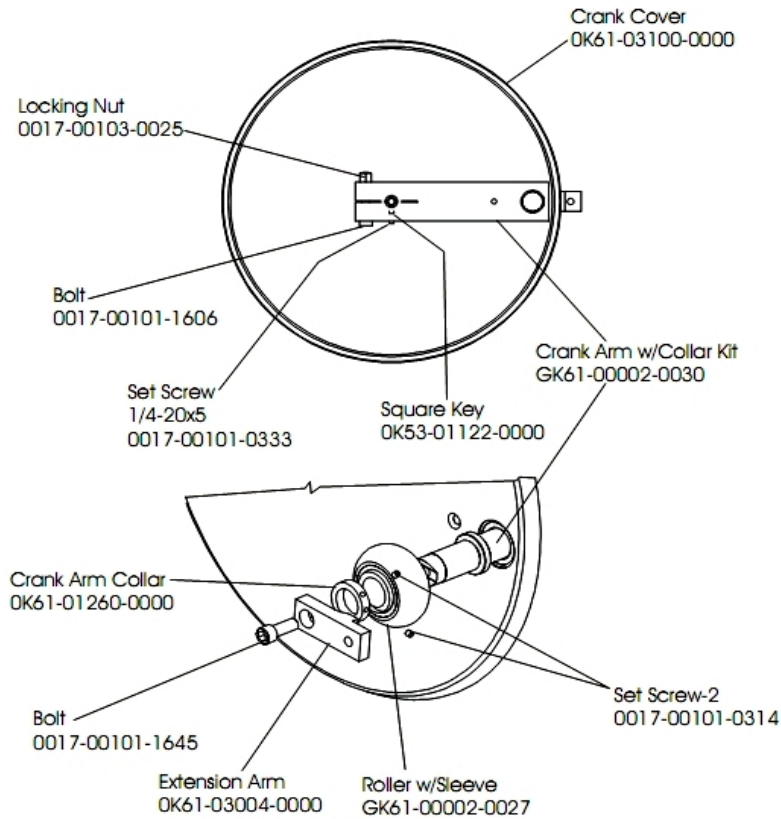
Ref #	Part Number	Qty	Description
-	0017-00101-1645	1	Hardware: Bolt
-	AK61-00500-0012	1	Console Support Assembly
-	GK63-00002-0004	1	Accessory Tray
-	0017-00101-1253	1	Hardware: Screw
-	OK61-05008-0000	1	Foam Grip
-	OK61-01283-0000	1	Console Support Cap
-	0017-00104-0192	2	Hardware: Flat Washer 0.813" OD
-	GK61-00002-0035	1	Polar Upgrade Kit
-	AK61-00136-0000	1	Main Cable

## Crankshaft Assembly



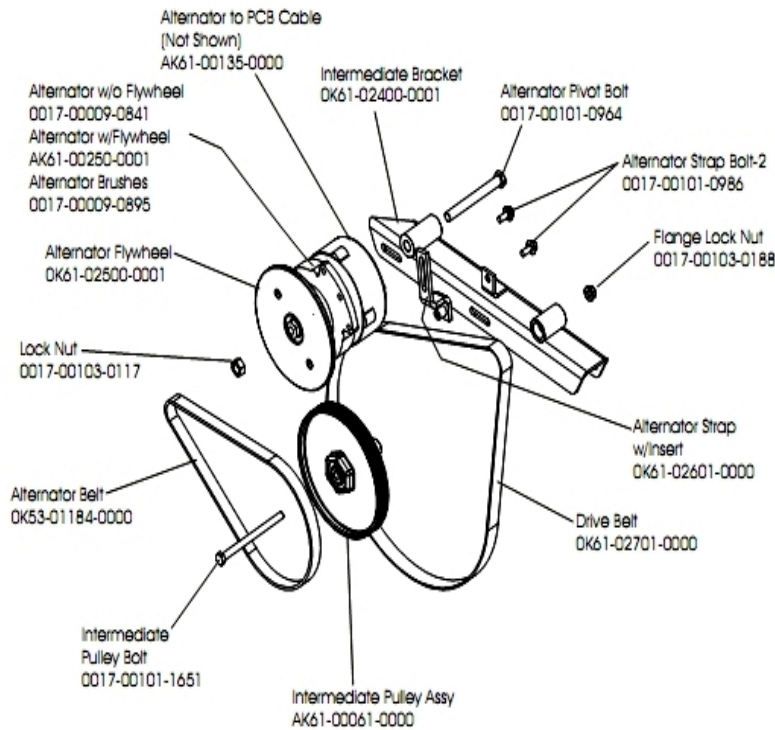
Ref #	Part Number	Qty	Description
-	0017-00100-0152	1	Hardware: Retaining Ring 1"
-	OK61-02409-0000	1	Poly-V Crank Pulley
-	AK62-00186-0000	1	Magnet-Standoff Assembly
-	0017-00101-1551	1	Hardware: Hex Bolt 1.25"
-	AK61-00157-0002	1	Crankshaft Assembly
-	OK53-01181-0000	1	Hardware: Pillow Block Bearing
-	0017-00101-1282	1	Hardware: TORX Screw 0.375"
-	0017-00104-0144	1	Hardware: Washer 0.625" OD
-	0017-00103-0019	1	Hardware: Locking Nut 1/4" ID
-	OK61-01360-0002	1	Crankshaft w/plate
-	OK61-02302-0001	1	Crankshaft Plate

## Crank Arm W/Roller Assembly



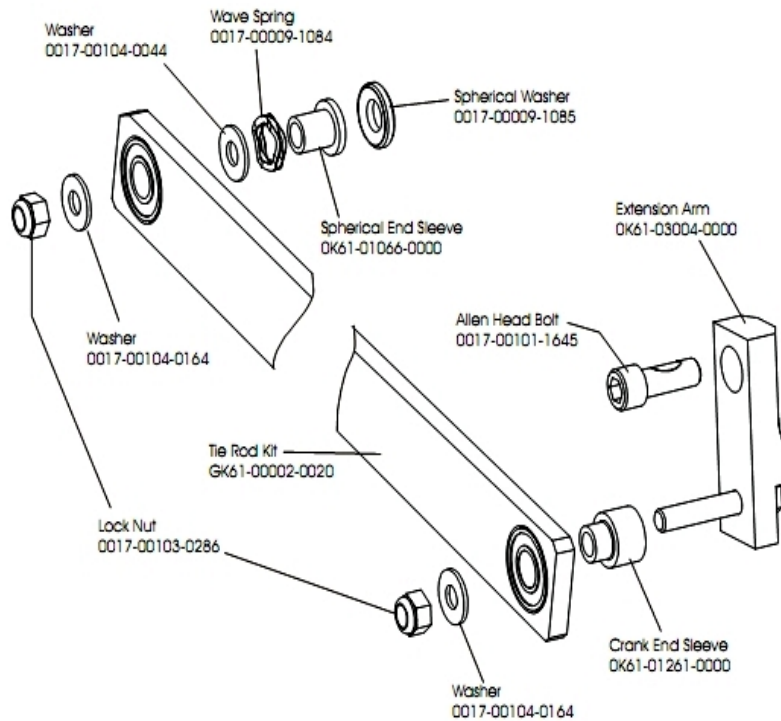
Ref #	Part Number	Qty	Description
-	OK61-03004-0000	2	Arm Extension
-	GK61-00002-0027	2	Roller Bearing Assembly
-	OK53-01122-0000	2	Square Key
-	OK61-03100-0000	2	Crank Cover
-	OK61-01260-0000	2	Crank Arm Shaft Collar
-	0017-00103-0025	2	Hardware: Locking Nut 3/8" ID
-	0017-00101-1645	2	Hardware: Bolt
-	0017-00101-0333	2	Hardware: Screw 0.3125"
-	GK61-00002-0030	2	Crank Arm with Collar Kit
-	0017-00101-1606	2	Hardware: Hex Bolt 2.5"
-	0017-00101-0314	2	Hardware: Screw 0.1875"

## Drive Belts And Alternator



Ref #	Part Number	Qty	Description
-	0017-00101-0986	1	Hardware: Bolt 0.75"
-	AK61-00061-0000	1	Intermediate Pulley Assembly
-	OK53-01447-0000	1	Belt: Poly-V; 32"
-	OK61-01027-0000	1	Flywheel: 6.75" D
-	GK61-00002-0056	1	KIT: CROSS TRAINER BELT AND PULLEY
-	AK61-00250-0001	1	Alternator w/Flywheel
-	OK61-02601-0000	1	Alternator Strap with Insert
-	AK61-00135-0000	1	Power Control Cable Assembly
-	0017-00103-0188	1	Hardware: Flange Lock Nut 3/8" ID
-	0017-00101-1651	1	Hardware: Intermediate Pulley Bolt 5.5"
-	0017-00009-0841	1	Alternator
-	0017-00101-0964	1	Hardware: Alternator Pivot Bolt 4.5"
-	0017-00009-0895	1	Alternator Brush Kit
-	OK61-02400-0001	1	Intermediate Bracket
-	0017-00103-0117	1	Hardware: Locking Nut 1/2" ID

## Final Frame Drive Linkage Assembly



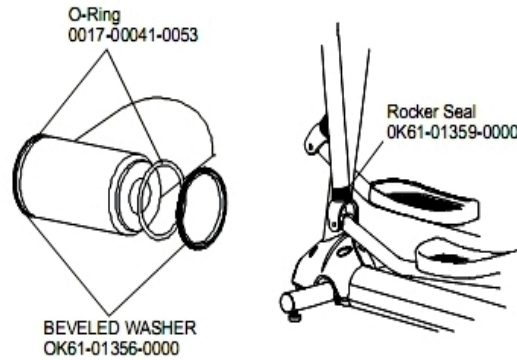
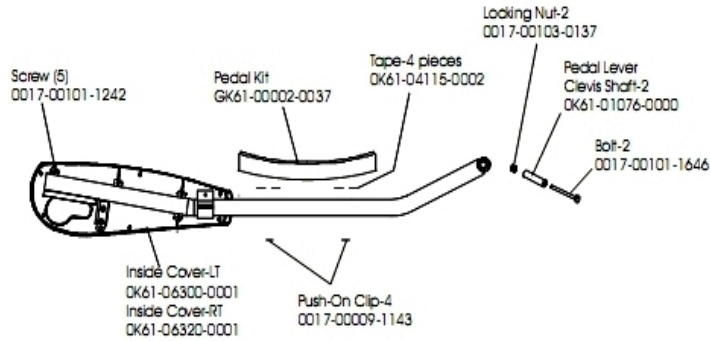
Ref #	Part Number	Qty	Description
-	0017-00103-0286	2	Hardware: Locking Nut
-	0017-00104-0164	2	Hardware: Washer 0.75" OD
-	GK61-00002-0020	1	Drive Linkage Assembly Kit
-	0K61-03004-0000	1	Arm Extension
-	0017-00104-0044	1	Hardware: Washer 0.75" OD
-	0017-00009-1084	1	Wave Spring
-	0K61-01066-0000	1	Spherical End Sleeve
-	0017-00101-1645	1	Hardware: Bolt
-	0K61-01261-0000	1	Control Link Sleeve
-	0017-00009-1085	1	Spherical Washer

## General Assembly

---

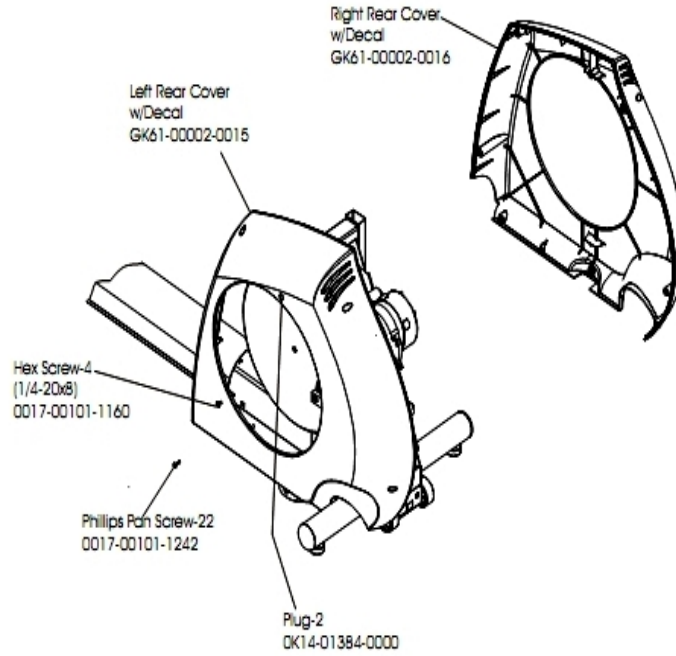
Ref #	Part Number	Qty	Description
-	SK40-00045-0002	1	Chest Strap - Small
-	SK40-00045-0003	1	Chest Strap - Medium
-	SK40-00045-0004	1	Chest Strap - Large
-	AK61-00040-0003	1	Hardware Kit

## Pedal Lever Assembly



Ref #	Part Number	Qty	Description
-	0017-00101-1646	2	Hardware: Bolt 4.25"
-	GK61-00002-0006	1	Right Pedal Assembly
-	OK61-04115-0002	2	Adhesive Tape
-	OK61-06300-0001	1	Inside Cover Left
-	0017-00041-0053	2	Viton O-ring
-	OK61-01076-0000	2	Pedal Lever Clevis Shaft
-	OK61-01356-0000	2	Hardware: Beveled Washer
-	GK61-00002-0005	1	Left Pedal Assembly
-	OK61-06320-0001	1	Inside Cover Right
-	GK61-00002-0037	2	Pedal Kit
-	0017-00101-1242	10	Hardware: Phillips Pan Screw 0.75"
-	0017-00103-0137	2	Hardware: Locking Nut 3/8" ID
-	0017-00009-1143	2	Clip
-	OK61-01359-0000	2	Rocker Seal

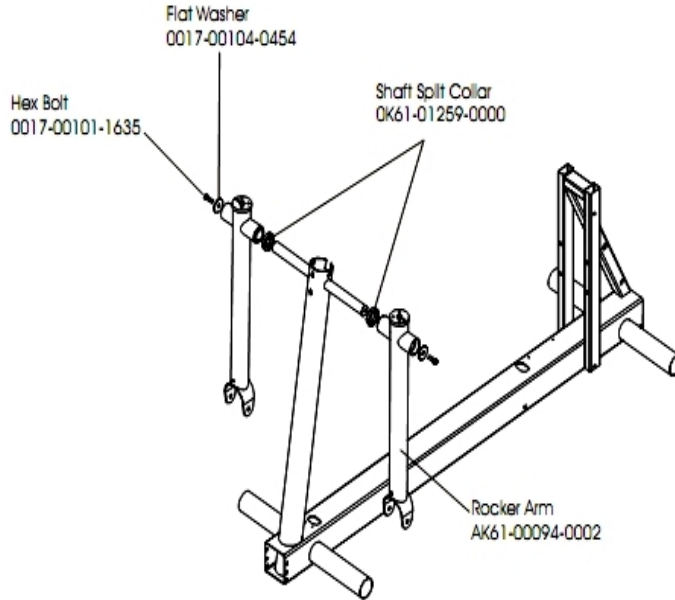
## Rear Drive Shrouds W/Decals



Ref #	Part Number	Qty	Description
-	0017-00101-1160	1	Hardware: Hex Screw
-	GK61-00002-0015	1	Left Rear Cover with Decal
-	OK14-01384-0000	1	Plug
-	GK61-00002-0016	1	Right Rear Cover with Decal
-	0017-00101-1242	1	Hardware: Phillips Pan Screw 0.75"

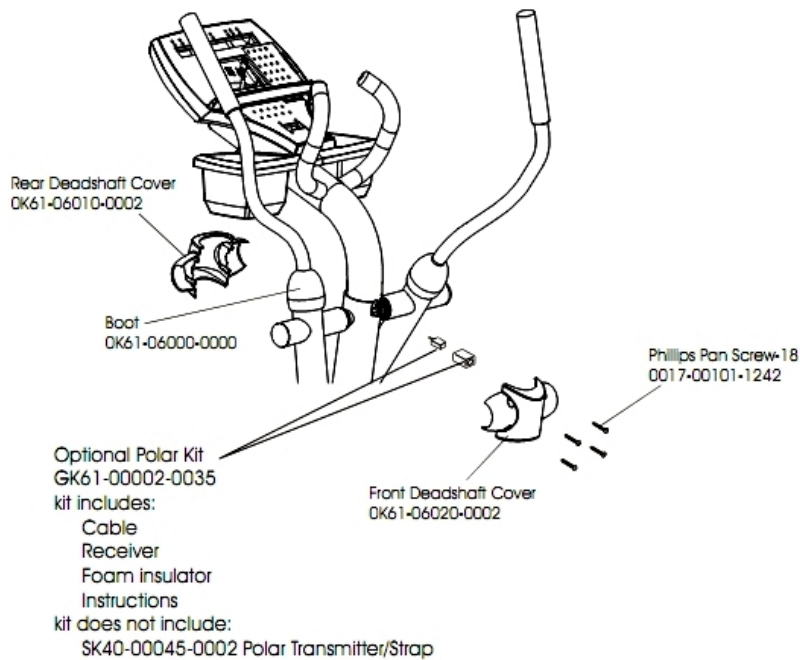
## Rocker Arm Assembly

---



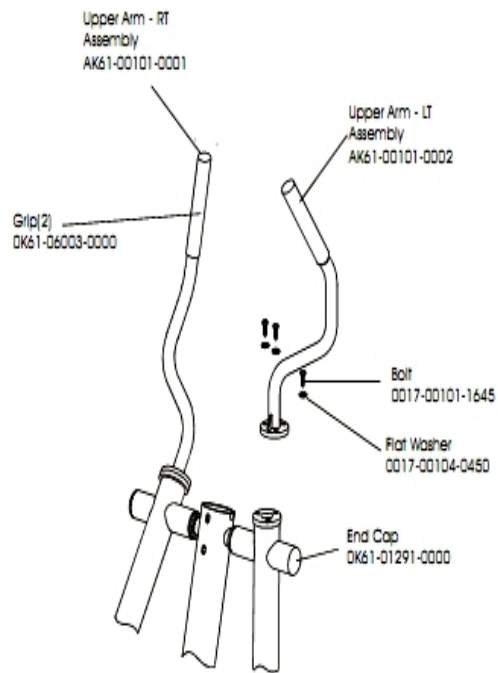
Ref #	Part Number	Qty	Description
-	0017-00104-0454	2	Hardware: Flat Washer 1.62" OD
-	AK61-00094-0002	2	Rocker Arm
-	0017-00101-1635	2	Hardware: Hex Bolt 1"
-	0K61-01259-0000	2	Shaft Split Collar

## Rocker Arm Covers



Ref #	Part Number	Qty	Description
-	OK61-06010-0002	1	Rear Cover
-	0017-00101-1242	1	Hardware: Phillips Pan Screw 0.75"
-	SK40-00045-0002	1	Chest Strap - Small
-	OK61-06000-0000	1	Boot
-	GK61-00002-0035	1	Polar Upgrade Kit
-	OK61-06020-0002	1	Front Cover

## Upper Arm Heart Rate Assembly



Ref #	Part Number	Qty	Description
-	AK61-00101-0002	1	Upper Arm Assembly: Left
-	0017-00104-0450	1	Hardware: Flat Washer 0.67" OD
-	AK61-00101-0001	1	Upper Arm Assembly: Right
-	0017-00101-1645	3	Hardware: Bolt
-	OK61-06003-0000	1	Grip
-	OK61-01291-0000	1	End Cap

