

CT9100 Cross-Trainer Rear Drive Universal Console

CT91-0400-04

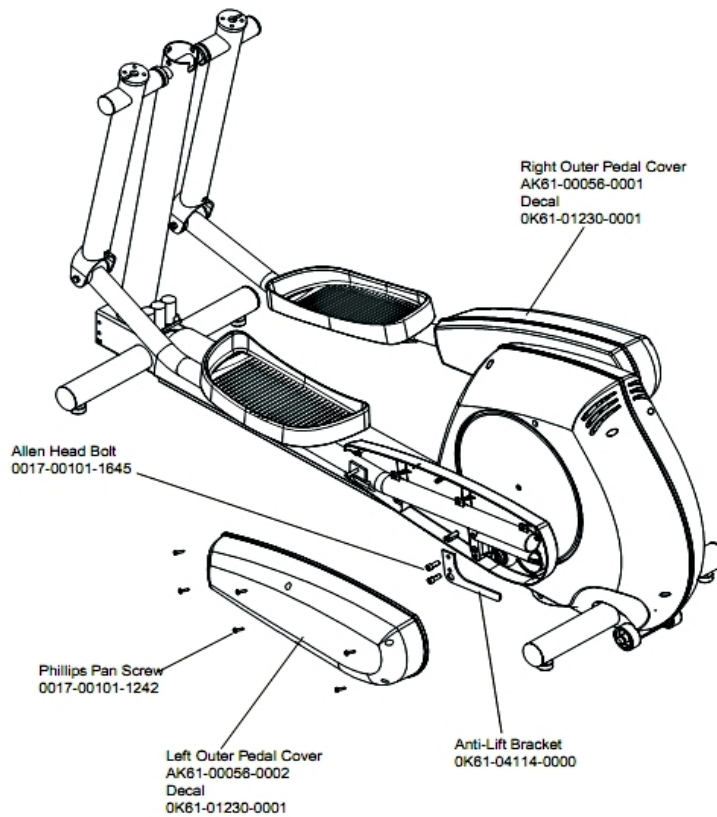
Parts Manual

1/5/2019 13:23:53 PM

Table of Contents

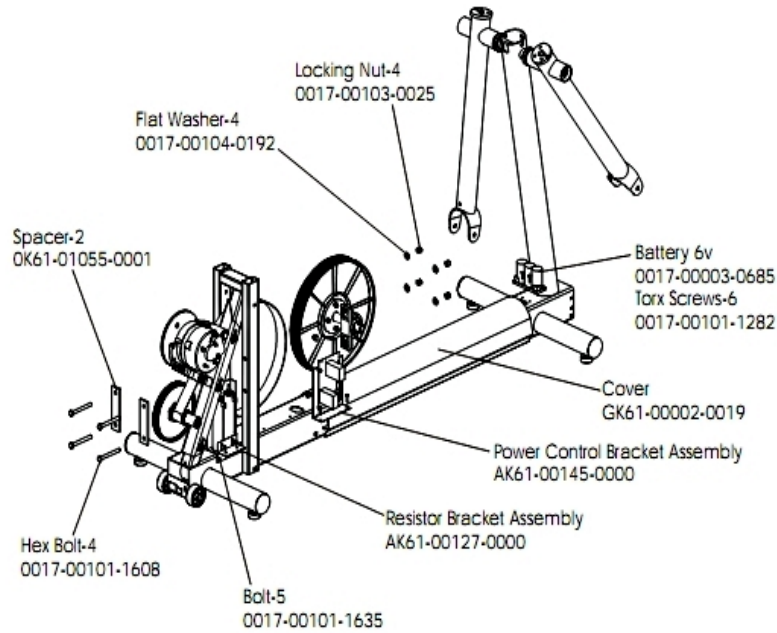
Anti-Lift Bracket And Outer Pedal Covers.....	3
Battery, Brackets, And Frame Cover.....	4
Cables.....	5
Clevis And Front Frame Covers.....	6
Console Assembly.....	7
Console Support Assembly Optional.....	8
Crankshaft Assembly.....	9
Crank Arm W/Roller Assembly.....	10
Drive Belts And Alternator.....	11
Final Frame Drive Linkage Assembly.....	12
General Assembly.....	13
Pedal Lever Assembly.....	14
Rear Drive Shrouds W/Decals.....	15
Rocker Arm Assembly.....	16
Rocker Arm Covers.....	17
Unlabeled Parts.....	18
Upper Arm / Heart Rate Assembly.....	20

Anti-Lift Bracket And Outer Pedal Covers



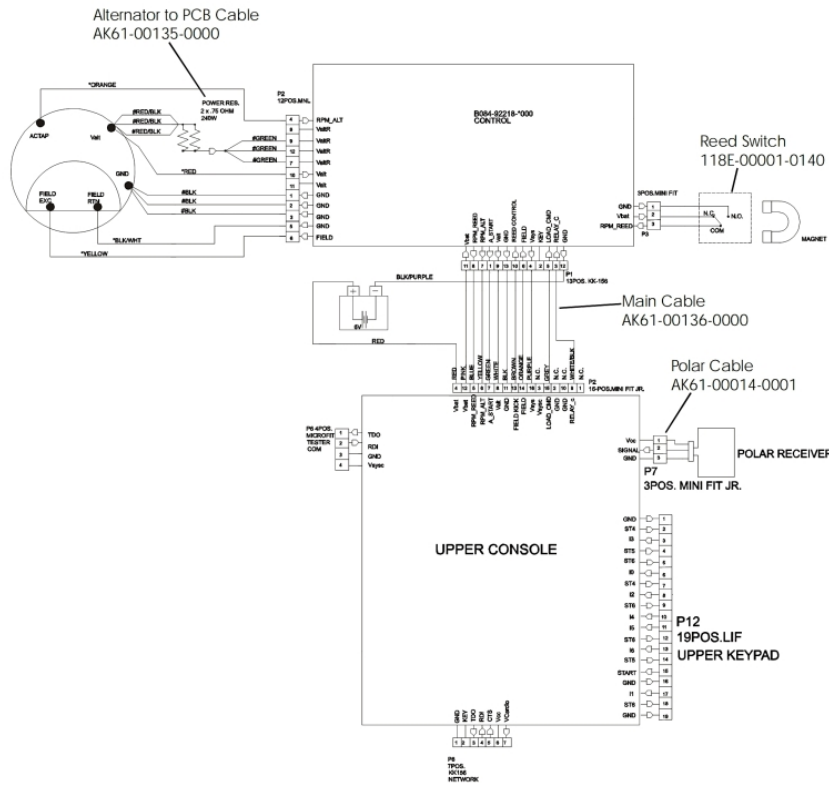
Ref #	Part Number	Qty	Description
-	0017-00101-1645	6	Hardware: Bolt
-	AK61-00056-0002	1	Outer Pedal Cover: Left
-	OK61-04114-0000	1	Roller Retainer Plate
-	AK61-00056-0001	1	Outer Pedal Cover: Right
-	OK61-01230-0001	2	Decal
-	0017-00101-1242	6	Hardware: Phillips Pan Screw 0.75"

Battery, Brackets, And Frame Cover



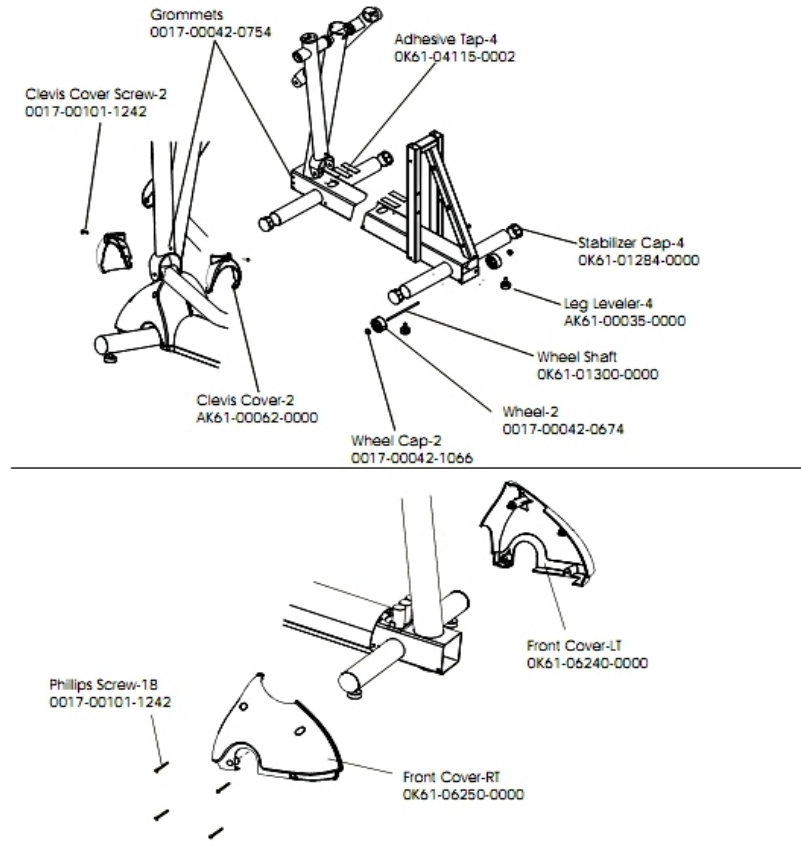
Ref #	Part Number	Qty	Description
-	AK61-00127-0000	1	Resistor Bracket Assembly
-	0K61-01055-0001	2	Spacer
-	0017-00101-1282	6	Hardware: TORX Screw 0.375"
-	AK61-00145-0001	1	PCB Assembly
-	GK61-00002-0019	1	Cover
-	0017-00104-0192	4	Hardware: Flat Washer 0.813" OD
-	0017-00003-0685	1	6V Battery
-	0017-00101-1608	4	Hardware: Hex Bolt
-	0017-00103-0025	4	Hardware: Locking Nut 3/8" ID
-	0017-00101-1635	5	Hardware: Hex Bolt 1"

Cables



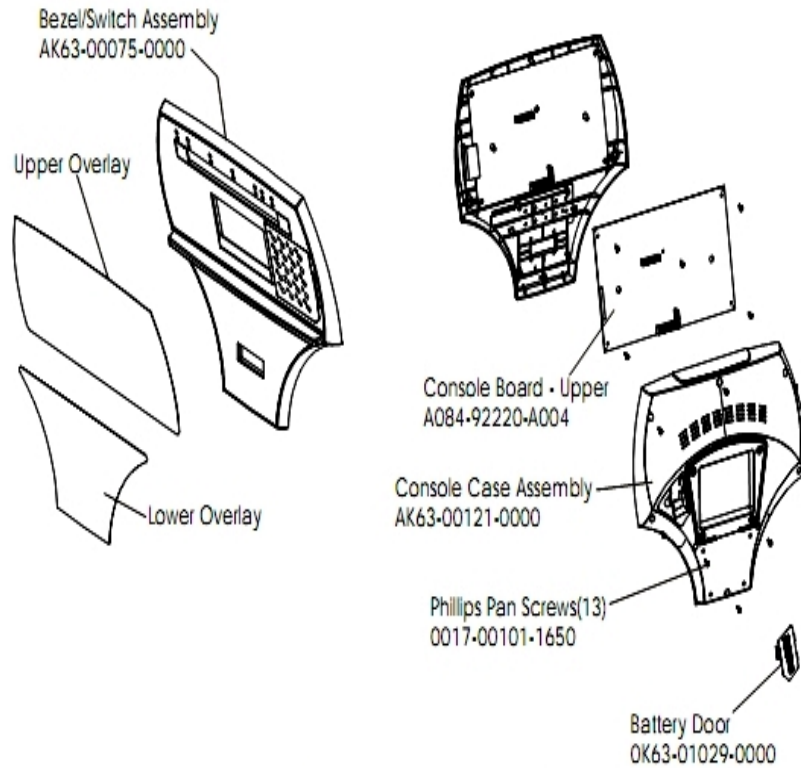
Ref #	Part Number	Qty	Description
-	118E-00001-0140	1	Reed Switch SPDT
-	AK61-00135-0000	1	Power Control Cable Assembly
-	AK61-00136-0000	1	Main Cable
-	AK61-00014-0001	1	Polar Cable

Clevis And Front Frame Covers



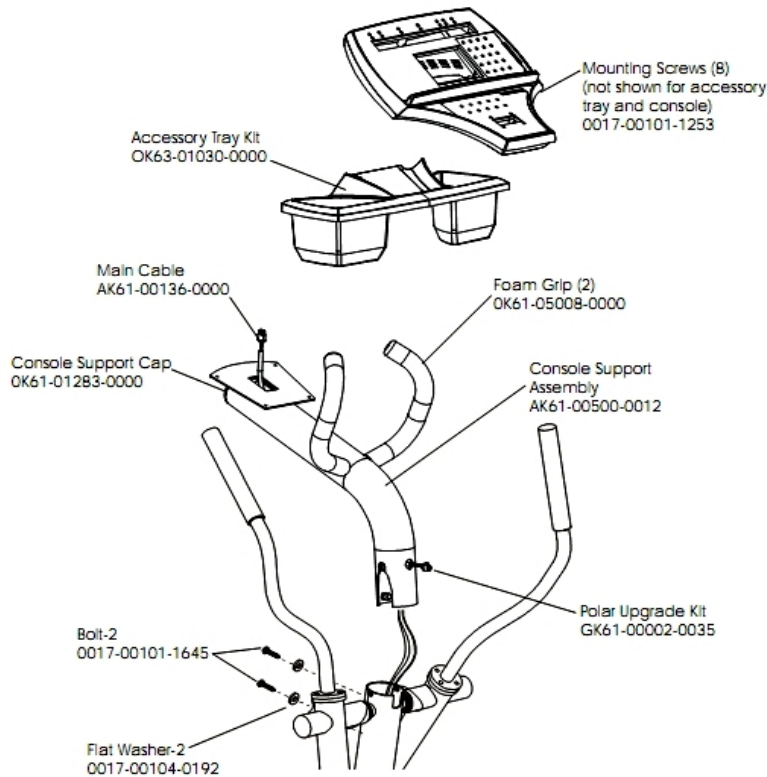
Ref #	Part Number	Qty	Description
-	AK61-00035-0000	4	Leg Leveler
-	AK61-00062-0000	2	Clevis Cover
-	OK61-04115-0002	4	Adhesive Tape
-	OK61-06240-0000	1	Front Cover Left
-	0017-00042-0674	2	Wheel
-	0017-00042-0754	8	Hardware: Grommet
-	0017-00042-1066	2	Push-on cap
-	OK61-01284-0000	4	Stabilizer Cap
-	0017-00101-1242	20	Hardware: Phillips Pan Screw 0.75"
-	OK61-01300-0000	1	Wheel Shaft
-	OK61-06250-0000	1	Front Cover Right

Console Assembly



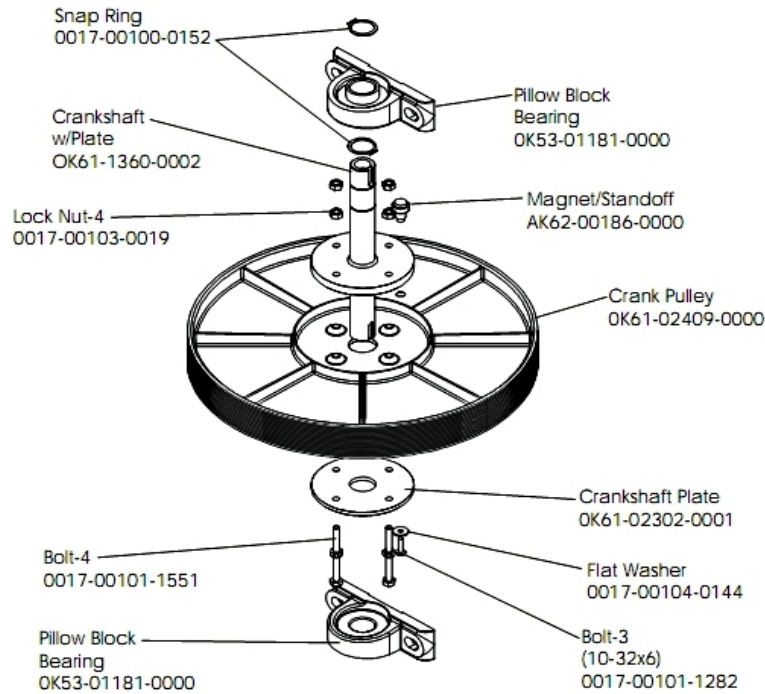
Ref #	Part Number	Qty	Description
-	0017-00101-1650	13	Hardware: Phillips Pan Screw 0.375"
-	AK61-00119-0004	1	Console: Spanish/Metric
-	AK63-00075-0000	1	Bezel/Switch Assembly
-	OK61-01279-0004	1	Upper Overlay Spanish/Metric
-	OK63-01029-0000	1	Battery Door
-	A084-92220-A004	1	Console Board - Upper
-	AK63-00121-0000	1	Console Case Assembly
-	AK61-00120-0004	1	Overlay/Bezel: Spanish/Metric
-	OK61-01313-0004	1	Lower Overlay Spanish/Metric

Console Support Assembly Optional



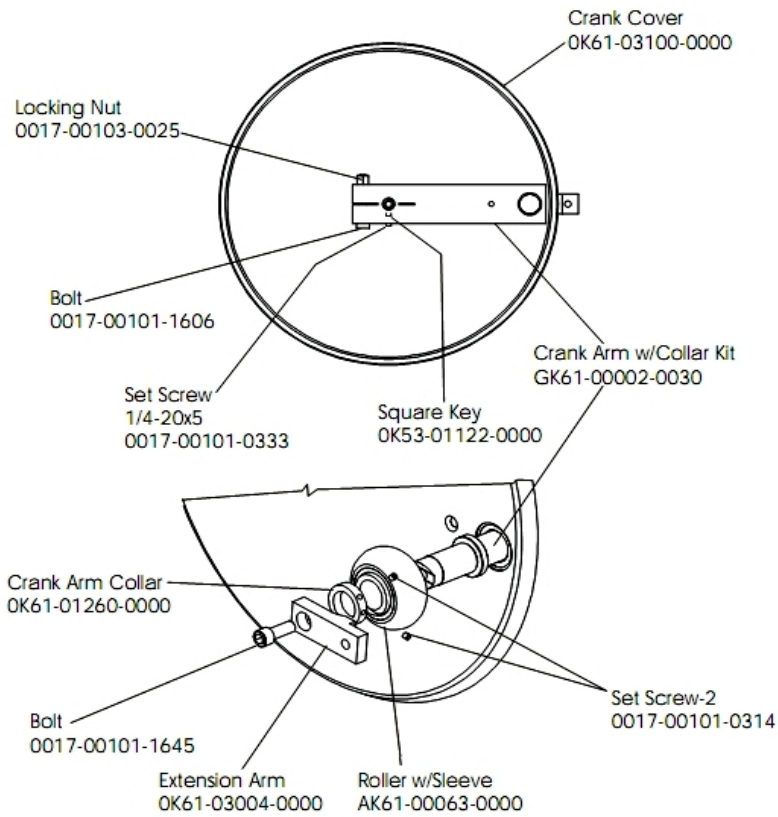
Ref #	Part Number	Qty	Description
-	OK63-01030-0000	1	Accessory Tray
-	AK61-00500-0012	1	Console Support Assembly
-	0017-00101-1253	8	Hardware: Screw
-	0017-00101-1645	2	Hardware: Bolt
-	OK61-05008-0000	2	Foam Grip
-	OK61-01283-0000	1	Console Support Cap
-	0017-00104-0192	2	Hardware: Flat Washer 0.813" OD
-	GK61-00002-0035	1	Polar Upgrade Kit
-	AK61-00136-0000	1	Main Cable

Crankshaft Assembly



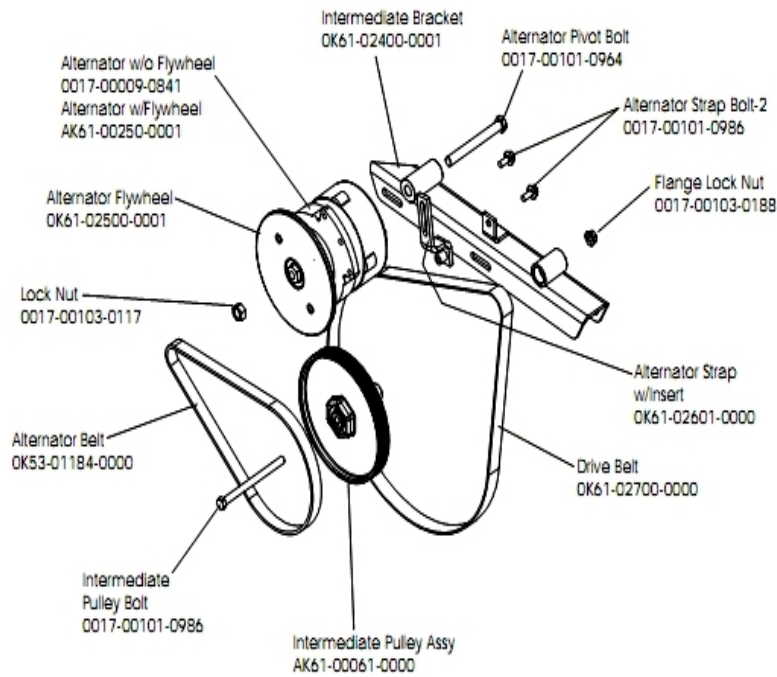
Ref #	Part Number	Qty	Description
-	0017-00100-0152	1	Hardware: Retaining Ring 1"
-	OK61-02409-0000	1	Poly-V Crank Pulley
-	AK62-00186-0000	1	Magnet-Standoff Assembly
-	0017-00101-1551	4	Hardware: Hex Bolt 1.25"
-	AK61-00157-0002	1	Crankshaft Assembly
-	OK53-01181-0000	2	Hardware: Pillow Block Bearing
-	0017-00101-1282	1	Hardware: TORX Screw 0.375"
-	0017-00103-0019	4	Hardware: Locking Nut 1/4" ID
-	0017-00104-0144	1	Hardware: Washer 0.625" OD
-	OK61-01360-0002	1	Crankshaft w/plate
-	OK61-02302-0001	1	Crankshaft Plate

Crank Arm W/Roller Assembly



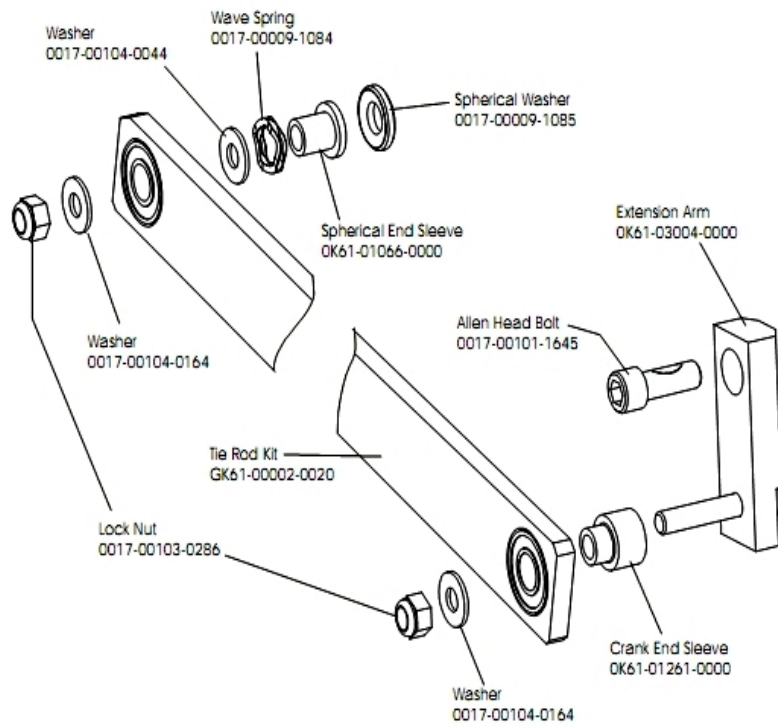
Ref #	Part Number	Qty	Description
-	0K61-03004-0000	2	Arm Extension
-	GK61-00002-0027	2	Roller Bearing Assembly
-	0K53-01122-0000	2	Square Key
-	0K61-03100-0000	2	Crank Cover
-	0K61-01260-0000	2	Crank Arm Shaft Collar
-	0017-00103-0025	2	Hardware: Locking Nut 3/8" ID
-	0017-00101-1645	2	Hardware: Bolt
-	0017-00101-0333	2	Hardware: Screw 0.3125"
-	GK61-00002-0030	2	Crank Arm with Collar Kit
-	0017-00101-1606	2	Hardware: Hex Bolt 2.5"
-	0017-00101-0314	4	Hardware: Screw 0.1875"

Drive Belts And Alternator



Ref #	Part Number	Qty	Description
-	0017-00101-0986	3	Hardware: Bolt 0.75"
-	0017-00103-0117	1	Hardware: Locking Nut 1/2" ID
-	OK53-01447-0000	1	Belt: Poly-V; 32"
-	OK61-01027-0000	1	Flywheel: 6.75" D
-	GK61-00002-0056	1	KIT: CROSS TRAINER BELT AND PULLEY
-	AK61-00061-0000	1	Intermediate Pulley Assembly
-	OK61-02601-0000	1	Alternator Strap with Insert
-	0017-00103-0188	1	Hardware: Flange Lock Nut 3/8" ID
-	0017-00009-0841	1	Alternator
-	0017-00101-0964	1	Hardware: Alternator Pivot Bolt 4.5"
-	OK61-02400-0001	1	Intermediate Bracket
-	AK61-00250-0001	1	Alternator w/Flywheel

Final Frame Drive Linkage Assembly

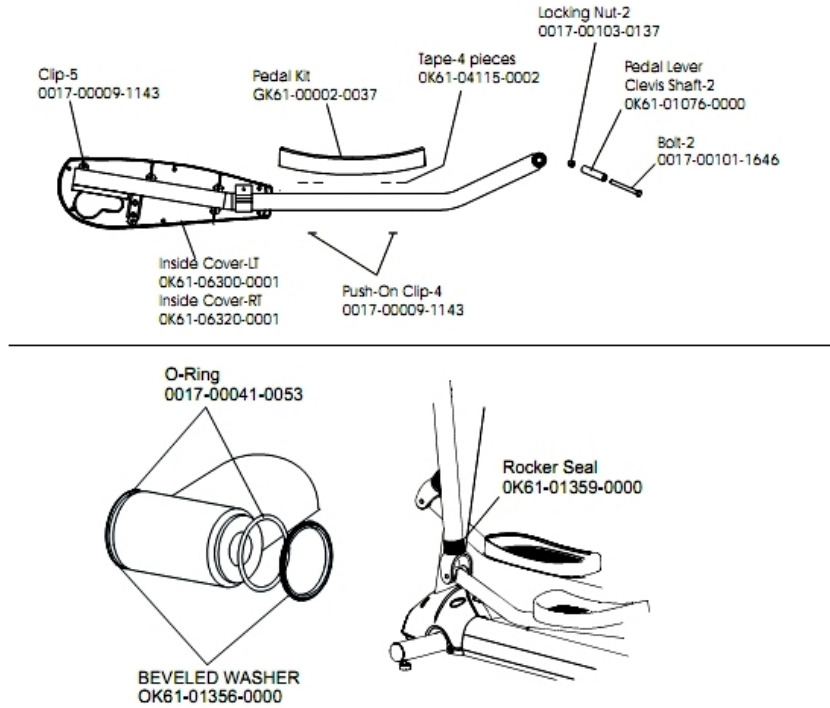


Ref #	Part Number	Qty	Description
-	0017-00103-0286	2	Hardware: Locking Nut
-	0017-00104-0164	2	Hardware: Washer 0.75" OD
-	GK61-00002-0020	1	Drive Linkage Assembly Kit
-	OK61-03004-0000	1	Arm Extension
-	0017-00104-0044	1	Hardware: Washer 0.75" OD
-	0017-00009-1084	1	Wave Spring
-	OK61-01066-0000	1	Spherical End Sleeve
-	0017-00101-1645	1	Hardware: Bolt
-	OK61-01261-0000	1	Control Link Sleeve
-	0017-00009-1085	1	Spherical Washer

General Assembly

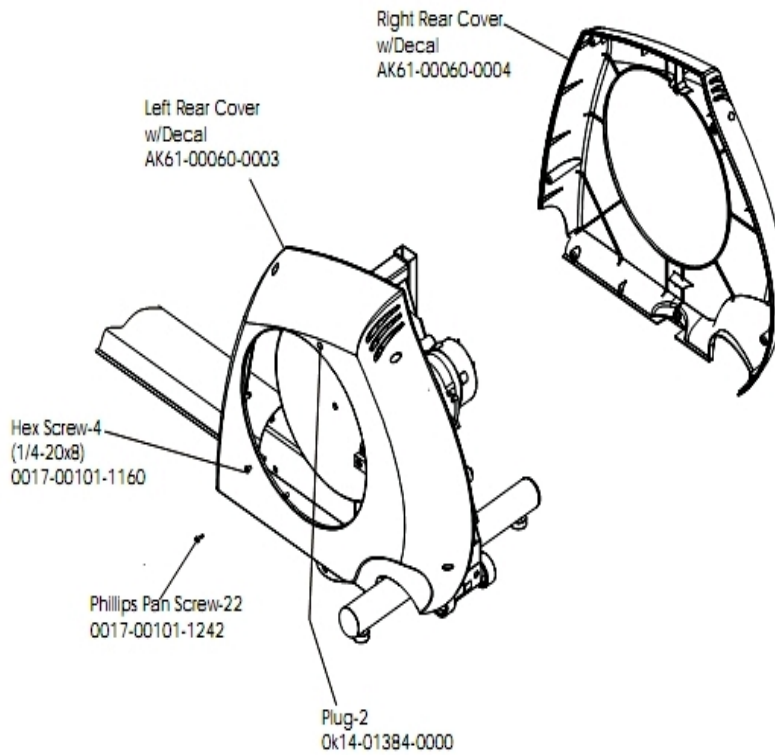
Ref #	Part Number	Qty	Description
-	AK40-00045-0003	1	Chest Strap - Small
-	AK61-00050-0001	1	Hardware Kit
-	SK40-00045-0002	1	Chest Strap - Small
-	AK40-00045-0004	1	Chest Strap - Large

Pedal Lever Assembly



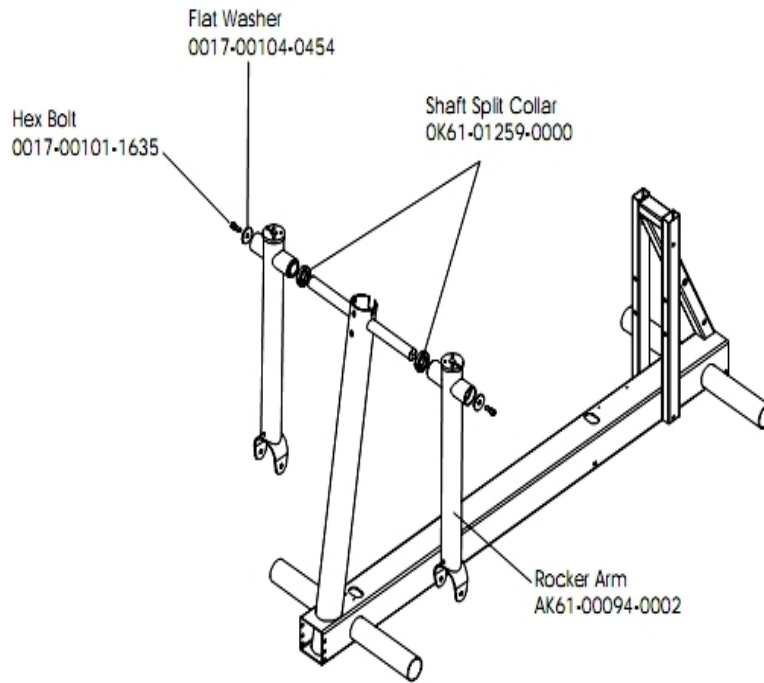
Ref #	Part Number	Qty	Description
-	0017-00101-1646	4	Hardware: Bolt 4.25"
-	GK61-00002-0006	1	Right Pedal Assembly
-	OK61-04115-0002	8	Adhesive Tape
-	OK61-06300-0001	1	Inside Cover Left
-	0017-00041-0053	2	Viton O-ring
-	OK61-01076-0000	4	Pedal Lever Clevis Shaft
-	OK61-01356-0000	2	Hardware: Beveled Washer
-	GK61-00002-0005	1	Left Pedal Assembly
-	OK61-06320-0001	1	Inside Cover Right
-	GK61-00002-0037	2	Pedal Kit
-	0017-00009-1143	18	Clip
-	0017-00103-0137	4	Hardware: Locking Nut 3/8" ID
-	OK61-01359-0000	2	Rocker Seal

Rear Drive Shrouds W/Decals



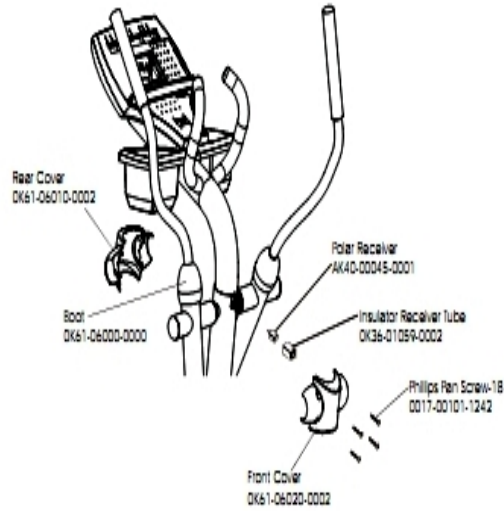
Ref #	Part Number	Qty	Description
-	0017-00101-1242	22	Hardware: Phillips Pan Screw 0.75"
-	GK61-00002-0016	1	Right Rear Cover with Decal
-	0017-00101-1160	4	Hardware: Hex Screw
-	GK61-00002-0015	1	Left Rear Cover with Decal
-	0K14-01384-0000	2	Plug

Rocker Arm Assembly



Ref #	Part Number	Qty	Description
-	0017-00104-0454	2	Hardware: Flat Washer 1.62" OD
-	OK61-01259-0000	2	Shaft Split Collar
-	0017-00101-1635	2	Hardware: Hex Bolt 1"
-	AK61-00094-0002	2	Rocker Arm

Rocker Arm Covers



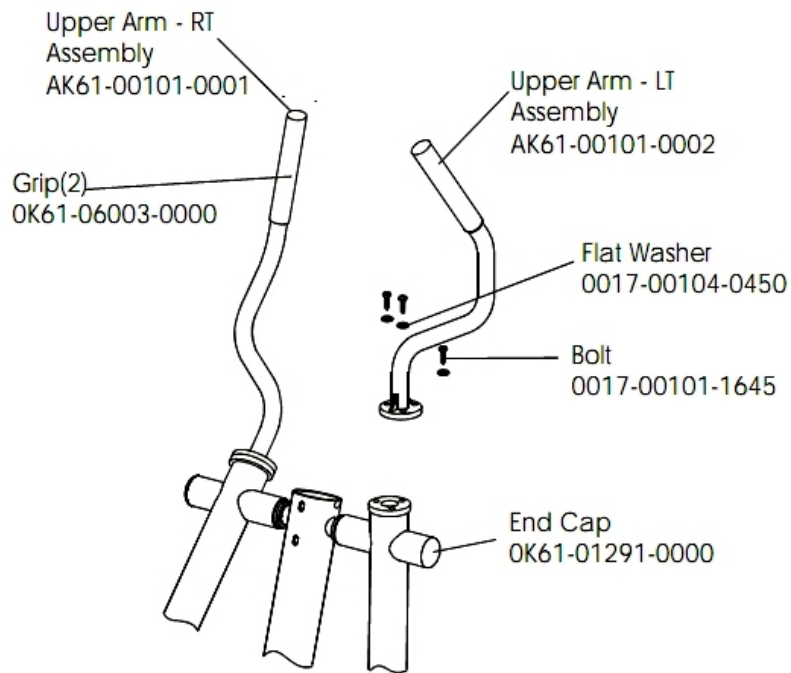
Ref #	Part Number	Qty	Description
-	OK61-06010-0002	1	Rear Cover
-	OK36-01059-0002	1	Insulator Receiver Tube
-	0017-00101-1242	18	Hardware: Phillips Pan Screw 0.75"
-	OK61-06020-0002	1	Front Cover
-	OK61-06000-0000	1	Boot
-	SK40-00045-0001	1	Polar HR Kit

Unlabeled Parts

Ref #	Part Number	Qty	Description
-	0017-00009-0795	1	Leg Leveler
-	0K61-05000-0011	1	Console Support
-	0017-00103-0081	1	Hardware: Hex Nut ID
-	0017-00104-0004	1	Hardware: Washer
-	0K61-01279-0001	1	Upper Overlay English/Metric
-	0017-00101-1642	1	Hardware: Hex Bolt
-	0017-00103-0273	1	Hardware: Hex Nut 3/8" ID
-	0017-00103-0177	1	Hardware: Nut
-	M051-00K20-A277	1	Label: Patent US
-	AK61-00064-0001	1	Crank Arm
-	AK61-00056-0002	1	Outer Pedal Cover: Left
-	0017-00042-0821	1	Hardware: Plastic Grommet
-	M051-00K20-A276	1	Label: Patent Intl
-	M051-00K61-A045	1	Install Instructions CT95
-	0017-00042-1082	1	Strap: Cable-Tie: L=15-5/16 IN. S/C#09-B
-	GK61-00002-0020	1	Drive Linkage Assembly Kit
-	A084-92220-A004	1	Console Board - Upper
-	0K61-01330-0003	1	Bracket
-	0017-00006-0238	1	Bearing
-	0K63-01028-0000	1	Case
-	0K63-01118-0000	1	Decal
-	0017-00101-0823	6	Hardware: Screw 0.75"

Ref #	Part Number	Qty	Description
-	0017-00101-1035	4	Hardware: Phillips Screw
-	0017-00101-1057	10	Hardware: Pan Screw 0.5"
-	0017-00101-1844	1	Hardware: Screw
-	0017-00103-0176	1	Hardware: Nut
-	0017-00104-0262	1	Hardware: Washer
-	0K63-01166-0000	1	Resistor Mounting Rod
-	100E-00005-0025	1	47 OHM 1/4W 5% CARBON N/D
-	M051-00187-A000	1	Label - Blank
-	0017-00104-0168	1	Hardware: Flat Washer 0.5" OD
-	0017-00042-0622	1	Cable Tie
-	0017-00103-0159	1	Hardware: Mounting Nut
-	0017-00104-0309	1	Hardware: Washer 1.12" OD
-	0K61-01230-0001	1	Decal
-	AK36-00021-0003	1	Cable Assembly
-	AK61-00056-0001	1	Outer Pedal Cover: Right
-	0017-00101-1651	1	Hardware: Intermediate Pulley Bolt 5.5"
-	0017-00103-0093	1	Hardware: Nut
-	0017-00006-0234	1	Bearing
-	0017-00101-0731	4	Hardware: Screw
-	0017-00104-0194	1	Hardware: Washer

Upper Arm / Heart Rate Assembly



Ref #	Part Number	Qty	Description
-	0017-00104-0450	1	Hardware: Flat Washer 0.67" OD
-	OK61-01291-0000	1	End Cap
-	0017-00101-1645	3	Hardware: Bolt
-	AK61-00101-0001	1	Upper Arm Assembly: Right
-	OK61-06003-0000	2	Grip
-	AK61-00101-0002	1	Upper Arm Assembly: Left

