

CT9500HR Cross-Trainer Rear Drive Universal Console

CT95-0000-21

Parts Manual

1/5/2019 13:25:17 PM

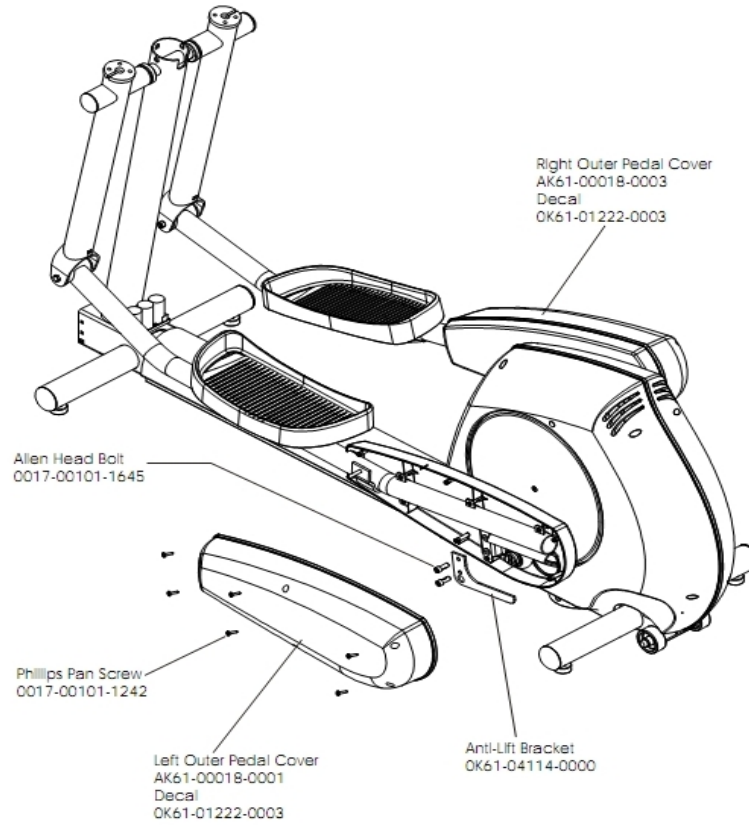




Table of Contents

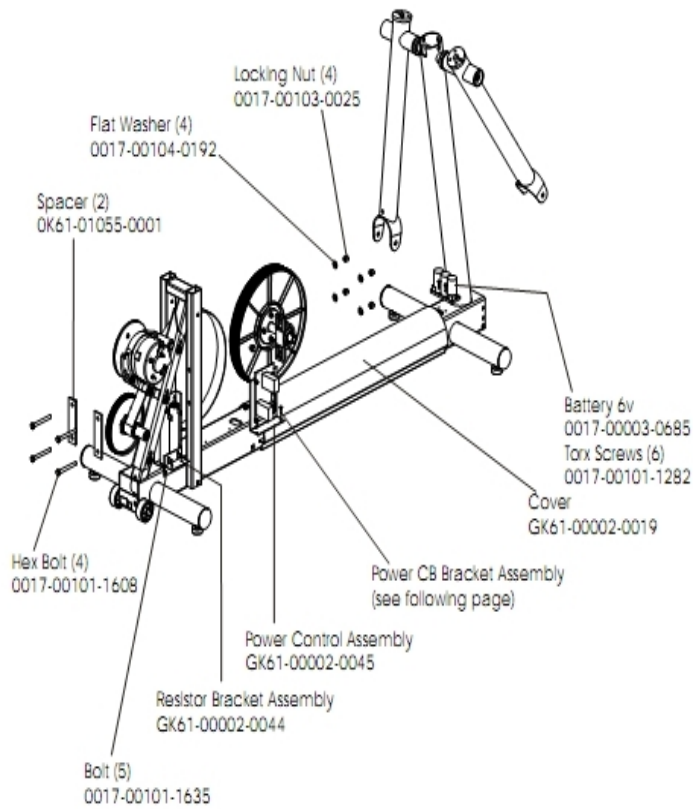
Anti-Lift Bracket And Outer Pedal Covers.....	3
Battery, Brackets, And Frame Cover.....	4
Cables.....	5
Clevis And Front Frame Covers.....	6
Console Board - Upper.....	7
Console Support Assembly *Optional.....	8
Crankshaft Assembly.....	9
Crank Arm W/Roller Assembly.....	10
Drive Belts And Alternator.....	11
Final Frame Drive Linkage Assembly.....	12
General Assembly.....	13
Pedal Lever Assembly.....	14
Power Cb Bracket Assembly.....	15
Rear Drive Shrouds With Decals.....	16
Rocker Arm Assembly.....	17
Rocker Arm Covers.....	18
Upper Arm / Heart Rate Assembly.....	19

Anti-Lift Bracket And Outer Pedal Covers



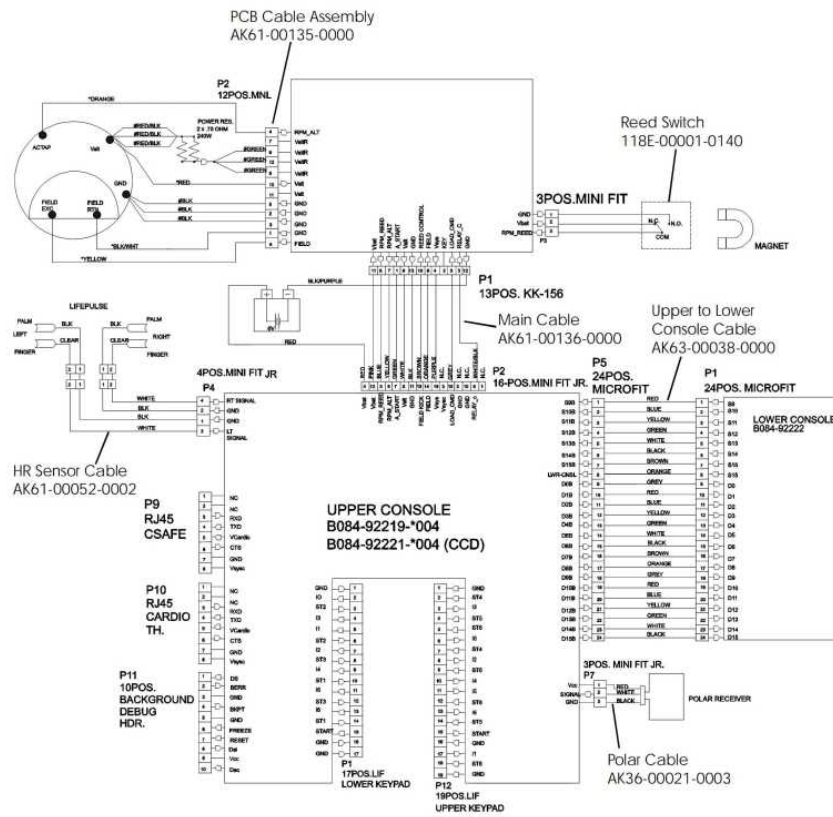
Ref #	Part Number	Qty	Description
-	AK61-00018-0001	1	Outer Pedal Cover: Left
-	AK61-00018-0003	1	Outer Pedal Cover: Right
-	0017-00101-1645	1	Hardware: Bolt
-	OK61-04114-0000	1	Roller Retainer Plate
-	0017-00101-1242	1	Hardware: Phillips Pan Screw 0.75"
-	OK61-01222-0003	2	Decal

Battery, Brackets, And Frame Cover



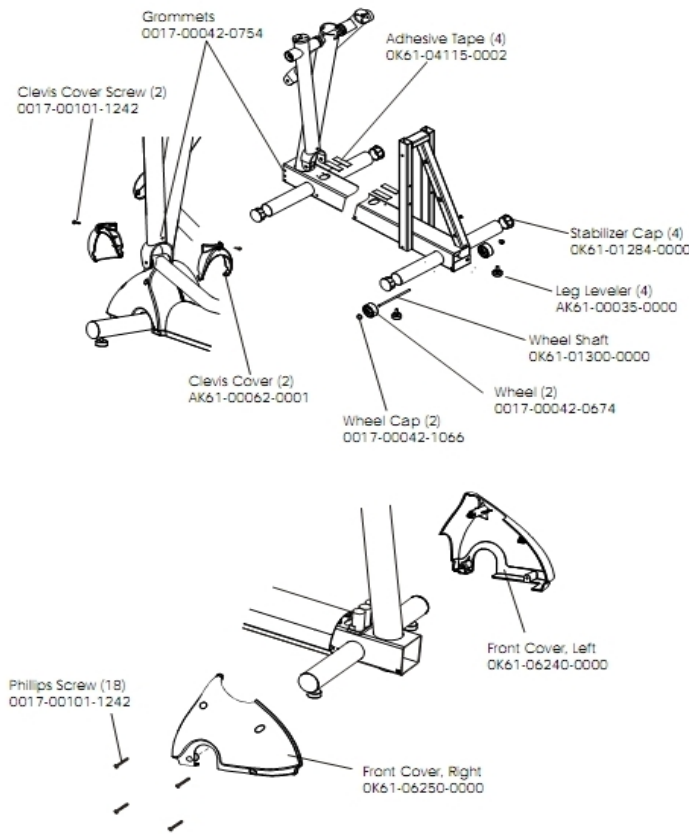
Ref #	Part Number	Qty	Description
-	0017-00003-0685	1	6V Battery
-	0017-00101-1608	4	Hardware: Hex Bolt
-	0017-00104-0192	4	Hardware: Flat Washer 0.813" OD
-	GK61-00002-0044	1	Resistor Bracket Assembly
-	0017-00103-0025	4	Hardware: Locking Nut 3/8" ID
-	0017-00101-1282	6	Hardware: TORX Screw 0.375"
-	0K61-01055-0001	2	Spacer
-	GK61-00002-0045	1	Power Control Board
-	0017-00101-1635	5	Hardware: Hex Bolt 1"
-	GK61-00002-0019	1	Cover

Cables



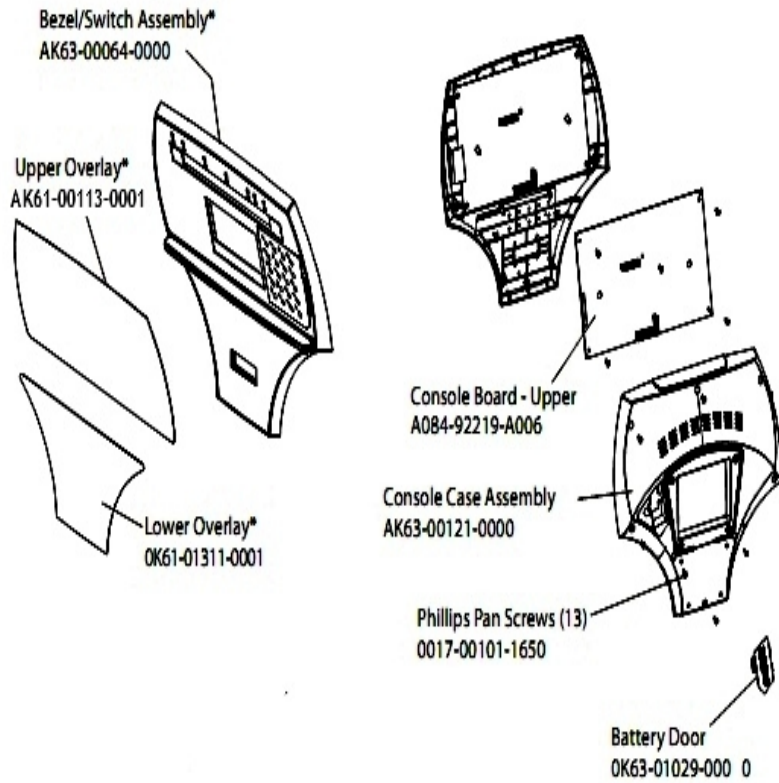
Ref #	Part Number	Qty	Description
-	AK61-00052-0002	1	Lifepulse Sensor Cable
-	AK36-00021-0003	1	Cable Assembly
-	118E-00001-0140	1	Reed Switch SPDT
-	AK63-00038-0000	1	Lower Console Cable
-	AK61-00136-0000	1	Main Cable
-	AK61-00135-0000	1	Power Control Cable Assembly

Clevis And Front Frame Covers



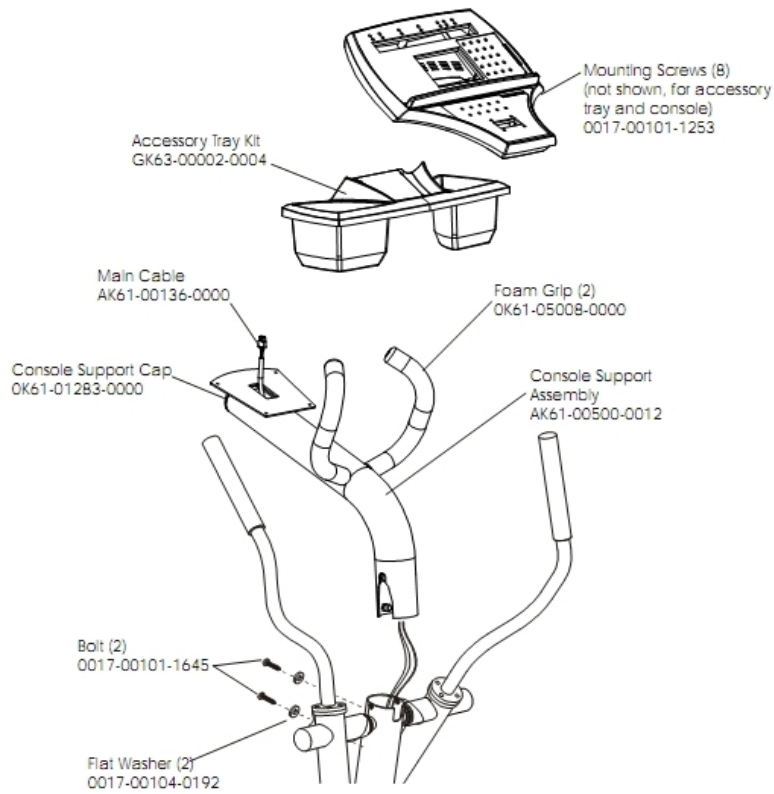
Ref #	Part Number	Qty	Description
	GK61-00002-0046	1	Kit: Serv; Clevis Joint BM
-	AK61-00062-0001	2	Clevis Cover
-	0017-00042-0754	1	Hardware: Grommet
-	AK61-00035-0000	4	Leg Leveler
-	OK61-06250-0000	1	Front Cover Right
-	0017-00101-1242	20	Hardware: Phillips Pan Screw 0.75"
-	OK61-04115-0002	4	Adhesive Tape
-	OK61-06240-0000	1	Front Cover Left
-	OK61-01300-0000	1	Wheel Shaft
-	0017-00042-0674	2	Wheel
-	OK61-01284-0000	4	Stabilizer Cap
-	0017-00042-1066	2	Push-on cap

Console Board - Upper



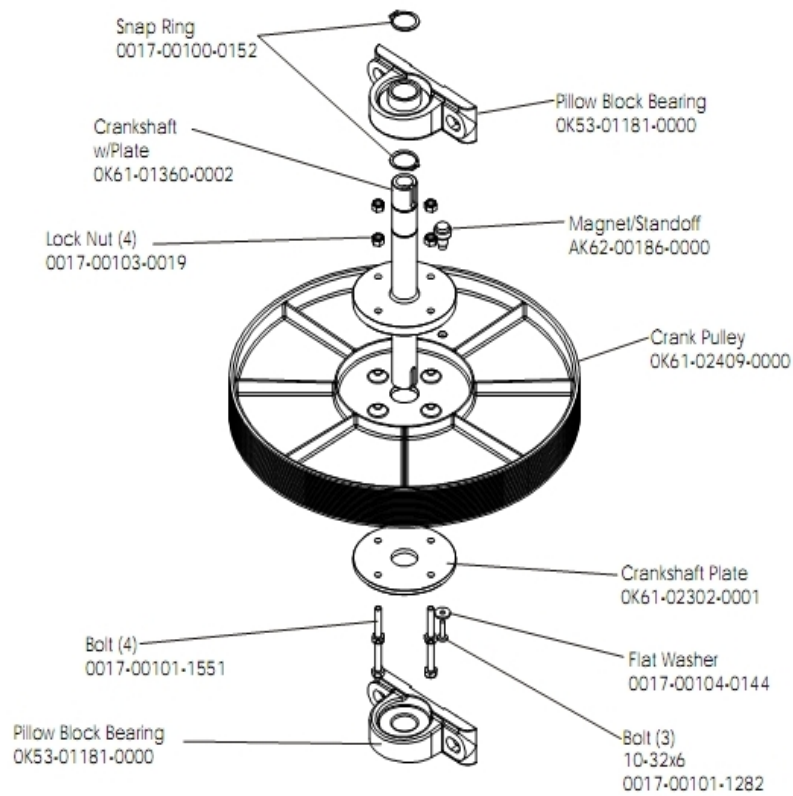
Ref #	Part Number	Qty	Description
-	AK61-00111-0001	1	Console: English/English
-	AK61-00113-0001	1	Bezel Switch with Overlay: English/Metric
-	A084-92219-A006	1	Console Board - Upper
-	OK63-01029-0000	1	Battery Door
-	OK61-01311-0001	1	Lower Overlay English
-	0017-00101-1650	13	Hardware: Phillips Pan Screw 0.375"
-	AK63-00121-0000	1	Console Case Assembly
-	AK63-00064-0000	1	Bezel/Switch Assembly
-	OK61-01277-0001	1	Upper Overlay English

Console Support Assembly *Optional



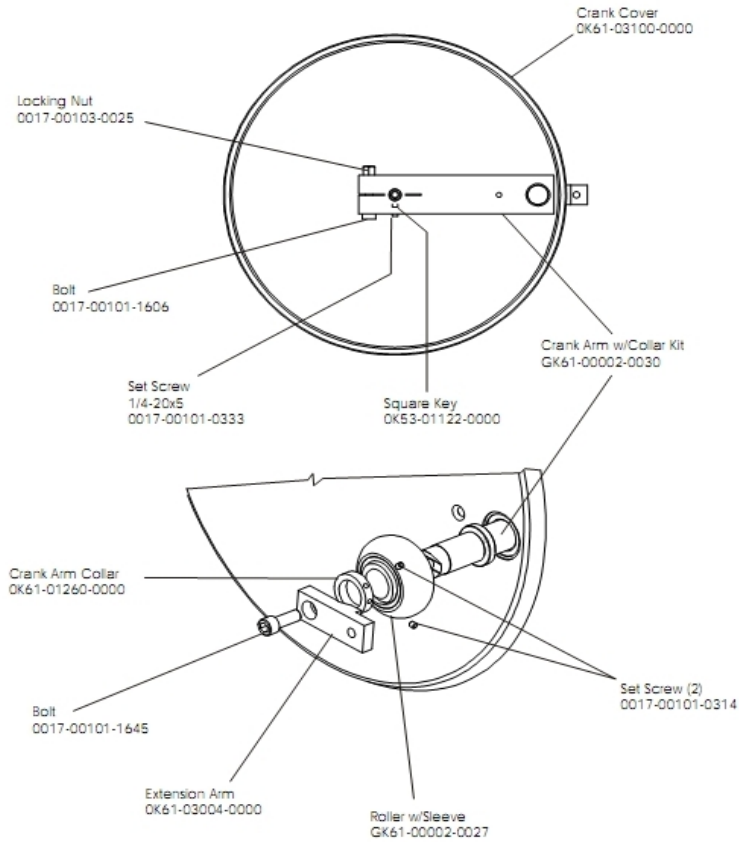
Ref #	Part Number	Qty	Description
-	AK61-00136-0000	1	Main Cable
-	0017-00101-1253	1	Hardware: Screw
-	AK61-00500-0012	1	Console Support Assembly
-	OK61-05008-0000	2	Foam Grip
-	OK61-01283-0000	1	Console Support Cap
-	0017-00104-0192	2	Hardware: Flat Washer 0.813" OD
-	0017-00101-1645	2	Hardware: Bolt
-	GK63-00002-0004	1	Accessory Tray

Crankshaft Assembly



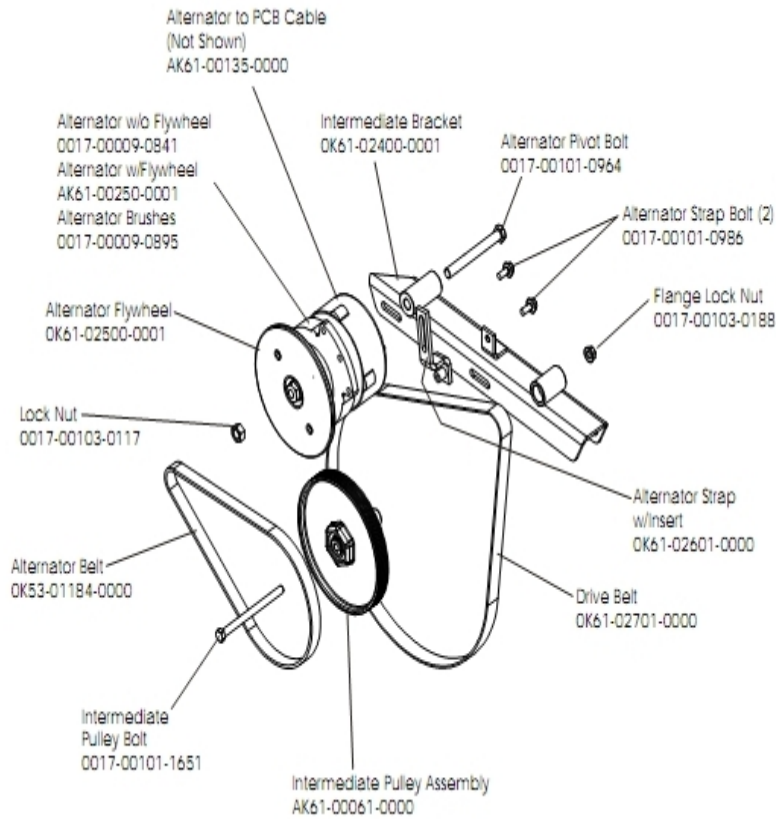
Ref #	Part Number	Qty	Description
-	0017-00104-0144	1	Hardware: Washer 0.625" OD
-	0017-00103-0019	4	Hardware: Locking Nut 1/4" ID
-	AK62-00186-0000	1	Magnet-Standoff Assembly
-	0017-00100-0152	1	Hardware: Retaining Ring 1"
-	OK61-02409-0000	1	Poly-V Crank Pulley
-	AK61-00157-0002	1	Crankshaft Assembly
-	0017-00101-1282	3	Hardware: TORX Screw 0.375"
-	OK61-02302-0001	1	Crankshaft Plate
-	OK53-01181-0000	2	Hardware: Pillow Block Bearing
-	OK61-01360-0002	1	Crankshaft w/plate
-	0017-00101-1551	4	Hardware: Hex Bolt 1.25"

Crank Arm W/Roller Assembly



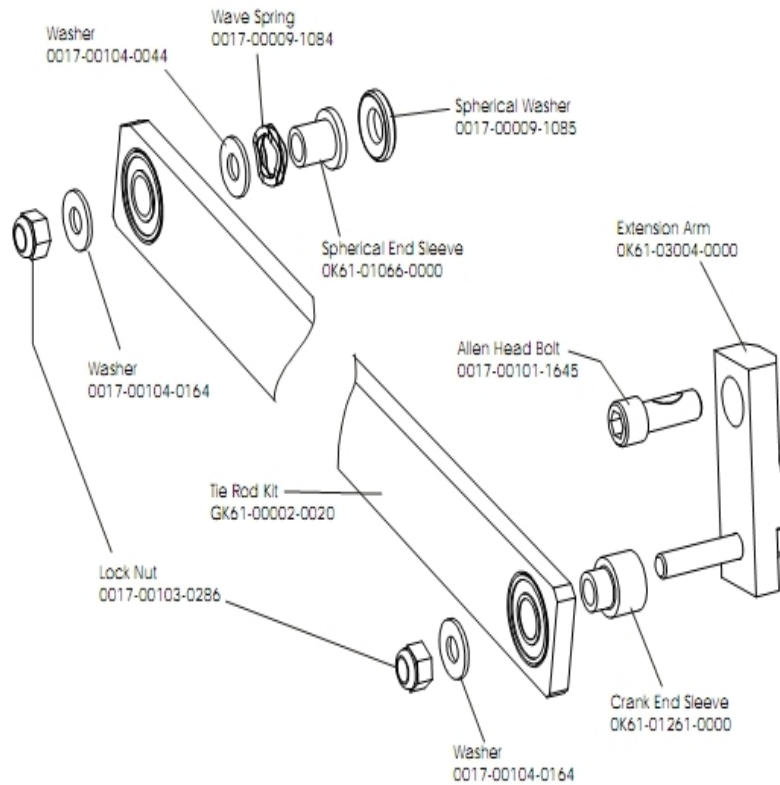
Ref #	Part Number	Qty	Description
-	GK61-00002-0030	1	Crank Arm with Collar Kit
-	0017-00101-1606	1	Hardware: Hex Bolt 2.5"
-	0017-00103-0025	1	Hardware: Locking Nut 3/8" ID
-	OK61-03004-0000	1	Arm Extension
-	GK61-00002-0027	1	Roller Bearing Assembly
-	0017-00101-0314	2	Hardware: Screw 0.1875"
-	0017-00101-1645	1	Hardware: Bolt
-	0017-00101-0333	1	Hardware: Screw 0.3125"
-	OK61-03100-0000	1	Crank Cover
-	OK61-01260-0000	1	Crank Arm Shaft Collar
-	OK53-01122-0000	1	Square Key

Drive Belts And Alternator



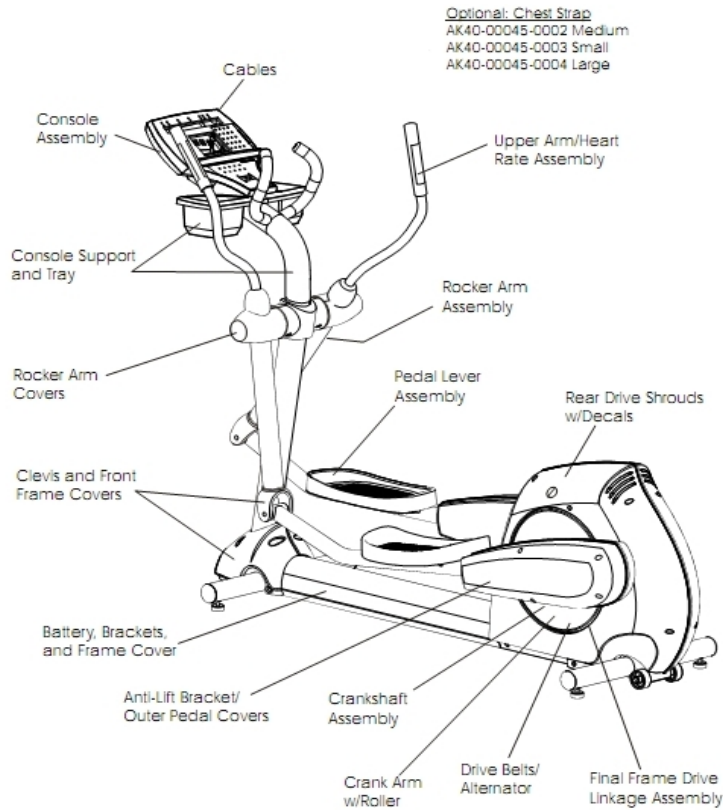
Ref #	Part Number	Qty	Description
-	OK53-01447-0000	1	Belt: Poly-V; 32"
-	OK61-01027-0000	1	Flywheel: 6.75" D
-	GK61-00002-0056	1	KIT: CROSS TRAINER BELT AND PULLEY
-	0017-00101-0986	2	Hardware: Bolt 0.75"
-	0017-00103-0117	1	Hardware: Locking Nut 1/2" ID
-	AK61-00250-0001	1	Alternator w/Flywheel
-	OK61-02601-0000	1	Alternator Strap with Insert
-	0017-00103-0188	1	Hardware: Flange Lock Nut 3/8" ID
-	0017-00101-1651	1	Hardware: Intermediate Pulley Bolt 5.5"
-	AK61-00135-0000	1	Power Control Cable Assembly
-	0017-00009-0895	1	Alternator Brush Kit
-	OK61-02400-0001	1	Intermediate Bracket
-	AK61-00061-0000	1	Intermediate Pulley Assembly
-	0017-00009-0841	1	Alternator
-	0017-00101-0964	1	Hardware: Alternator Pivot Bolt 4.5"

Final Frame Drive Linkage Assembly



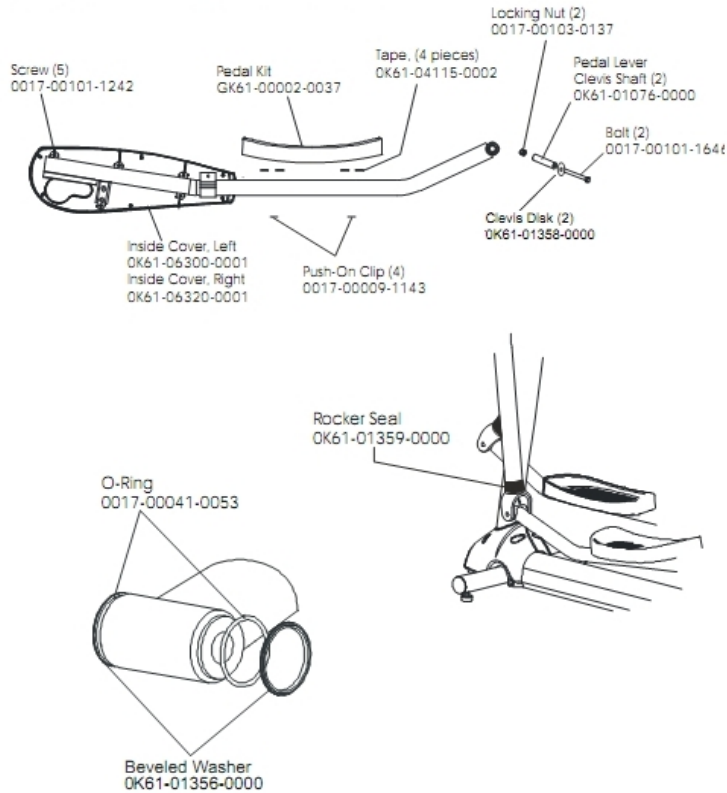
Ref #	Part Number	Qty	Description
-	0K61-01066-0000	1	Spherical End Sleeve
-	0017-00104-0164	2	Hardware: Washer 0.75" OD
-	0017-00101-1645	1	Hardware: Bolt
-	0K61-01261-0000	1	Control Link Sleeve
-	0017-00009-1084	1	Wave Spring
-	0017-00009-1085	1	Spherical Washer
-	0K61-03004-0000	1	Arm Extension
-	GK61-00002-0020	1	Drive Linkage Assembly Kit
-	0017-00104-0044	1	Hardware: Washer 0.75" OD
-	0017-00103-0286	1	Hardware: Locking Nut

General Assembly



Ref #	Part Number	Qty	Description
-	SK40-00045-0002	1	Chest Strap - Small
-	AK40-00045-0003	1	Chest Strap - Small
-	AK61-00050-0001	1	Hardware Kit
-	AK40-00045-0004	1	Chest Strap - Large

Pedal Lever Assembly

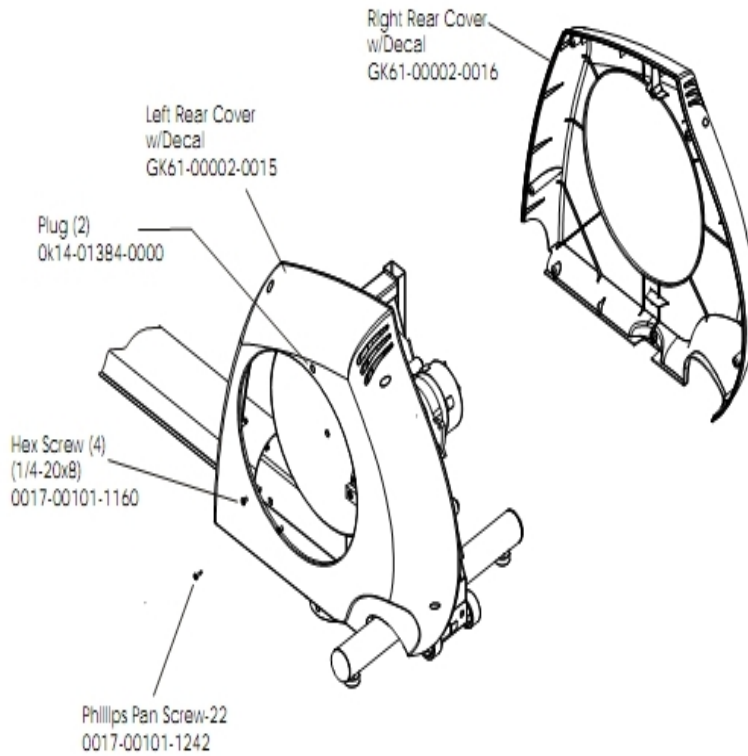


Ref #	Part Number	Qty	Description
-	OK61-01076-0000	2	Pedal Lever Clevis Shaft
-	0017-00101-1242	5	Hardware: Phillips Pan Screw 0.75"
-	OK61-04115-0002	1	Adhesive Tape
-	OK61-01356-0000	1	Hardware: Beveled Washer
-	OK61-06300-0001	1	Inside Cover Left
-	0017-00101-1646	2	Hardware: Bolt 4.25"
-	OK61-01359-0000	1	Rocker Seal
-	OK61-06320-0001	1	Inside Cover Right
-	GK61-00002-0037	1	Pedal Kit
-	GK61-00002-0006	1	Right Pedal Assembly
-	GK61-00002-0005	1	Left Pedal Assembly
-	0017-00041-0053	1	Viton O-ring
-	0017-00103-0137	2	Hardware: Locking Nut 3/8" ID
-	0017-00009-1143	4	Clip

Power Cb Bracket Assembly

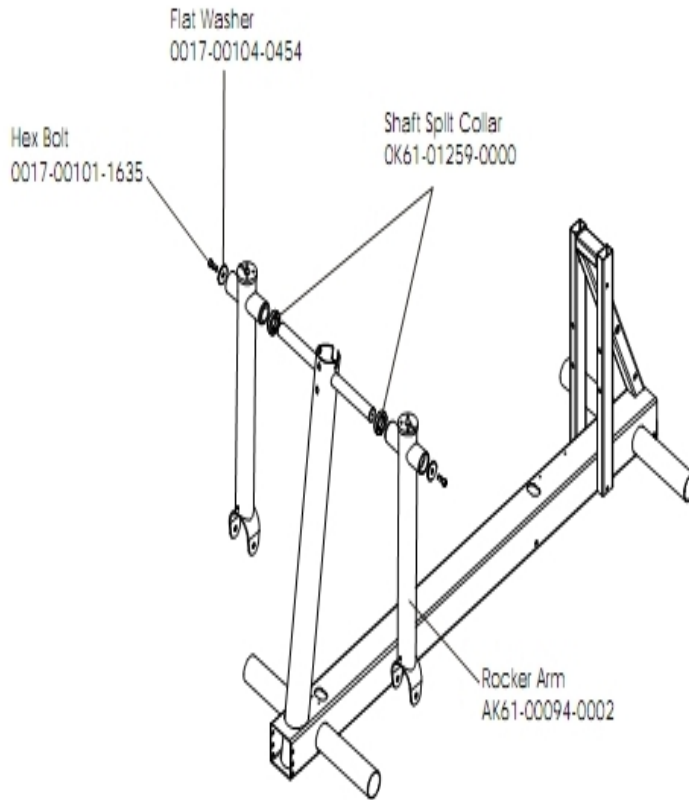
Ref #	Part Number	Qty	Description
-	0017-00042-0622	2	Cable Tie
-	0017-00101-1035	2	Hardware: Phillips Screw
-	0017-00101-0823	4	Hardware: Screw 0.75"
-	0K61-01330-0003	1	Bracket
-	B084-92218-0000	1	PCB Circuit Board
-	0017-00042-0821	4	Hardware: Plastic Grommet
-	0017-00103-0093	2	Hardware: Nut
-	118E-00001-0140	1	Reed Switch SPDT
-	AK61-00145-0001	1	PCB Assembly

Rear Drive Shrouds With Decals



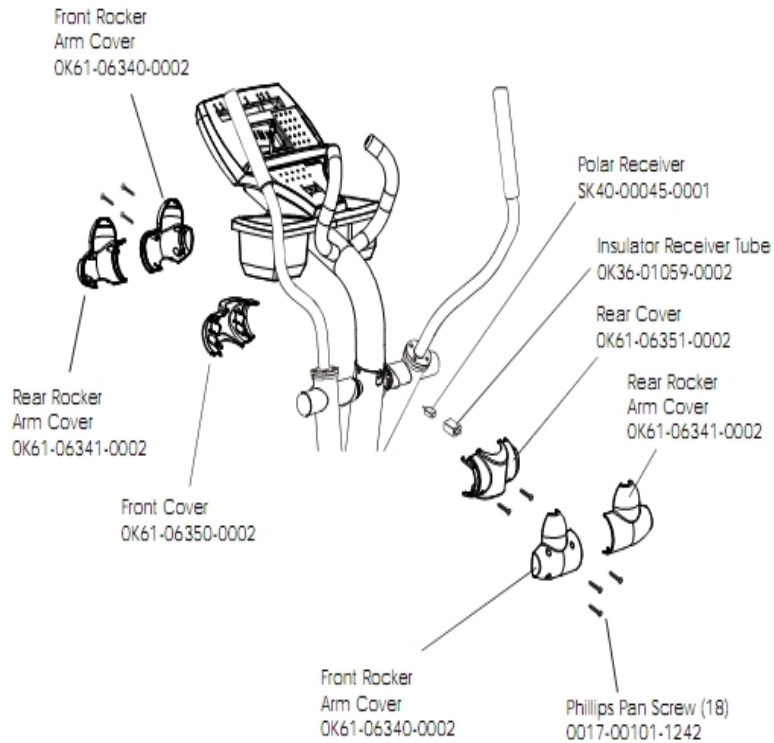
Ref #	Part Number	Qty	Description
-	0017-00101-1242	2	Hardware: Phillips Pan Screw 0.75"
-	GK61-00002-0016	1	Right Rear Cover with Decal
-	0017-00101-1160	4	Hardware: Hex Screw
-	OK14-01384-0000	2	Plug
-	GK61-00002-0015	1	Left Rear Cover with Decal

Rocker Arm Assembly



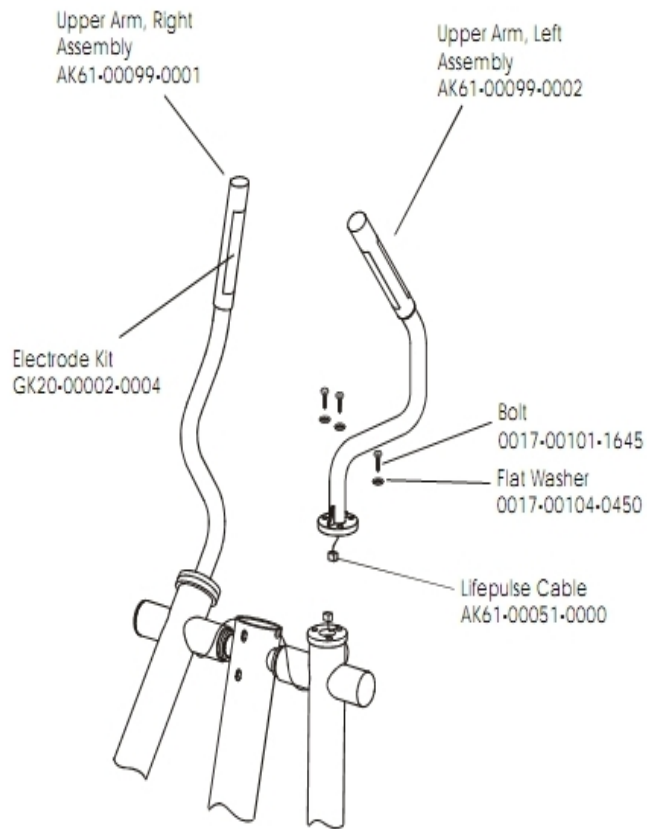
Ref #	Part Number	Qty	Description
-	0017-00101-1635	1	Hardware: Hex Bolt 1"
-	AK61-00094-0002	1	Rocker Arm
-	0017-00104-0454	1	Hardware: Flat Washer 1.62" OD
-	0K61-01259-0000	1	Shaft Split Collar

Rocker Arm Covers



Ref #	Part Number	Qty	Description
-	OK61-06340-0002	2	Front Boot Cover
-	OK61-06351-0002	1	Rear Cover
-	0017-00101-1242	18	Hardware: Phillips Pan Screw 0.75"
-	OK61-06341-0002	2	Rear Boot Cover
-	OK36-01059-0002	1	Insulator Receiver Tube
-	OK61-06350-0002	1	Front Cover
-	SK40-00045-0001	1	Polar HR Kit

Upper Arm / Heart Rate Assembly



Ref #	Part Number	Qty	Description
-	AK61-00051-0000	1	Bullhorn HR cables
-	GK20-00002-0004	1	Heart Rate Electrode Kit
-	AK61-00099-0002	1	Upper Arm Assembly: Left
-	0017-00101-1645	1	Hardware: Bolt
-	AK61-00099-0001	1	Upper Arm Assembly: Right
-	0017-00104-0450	1	Hardware: Flat Washer 0.67" OD

