

CT 950HRR Cross-Trainer - Total Body System

CT95-0100-15

Parts Manual

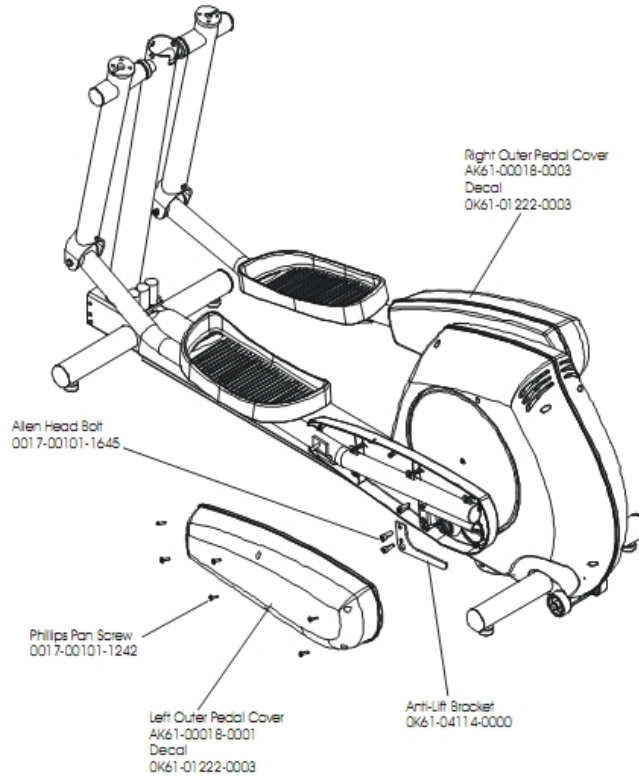
1/5/2019 13:26:41 PM



Table of Contents

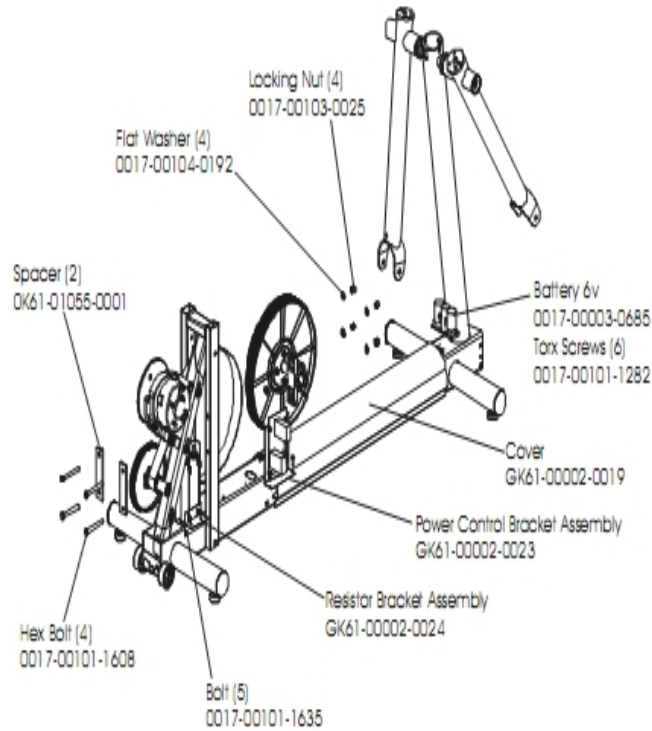
Anti-Lift Bracket And Outer Pedal Covers.....	3
Battery, Brackets, And Frame Cover.....	4
Clevis And Front Frame Covers.....	5
Component Assembly.....	6
Console Assembly.....	7
Console Support Assembly.....	8
Crankshaft Assembly.....	9
Crank Arm W/Roller Assembly.....	10
Drive Belts And Alternator.....	11
Final Frame Drive Linkage Assembly.....	12
Pedal Lever Assembly.....	13
Rear Drive Shrouds With Decals.....	14
Rocker Arm Assembly.....	15
Rocker Arm Covers.....	16
Upper Arm/Heart Rate Assembly.....	17

Anti-Lift Bracket And Outer Pedal Covers



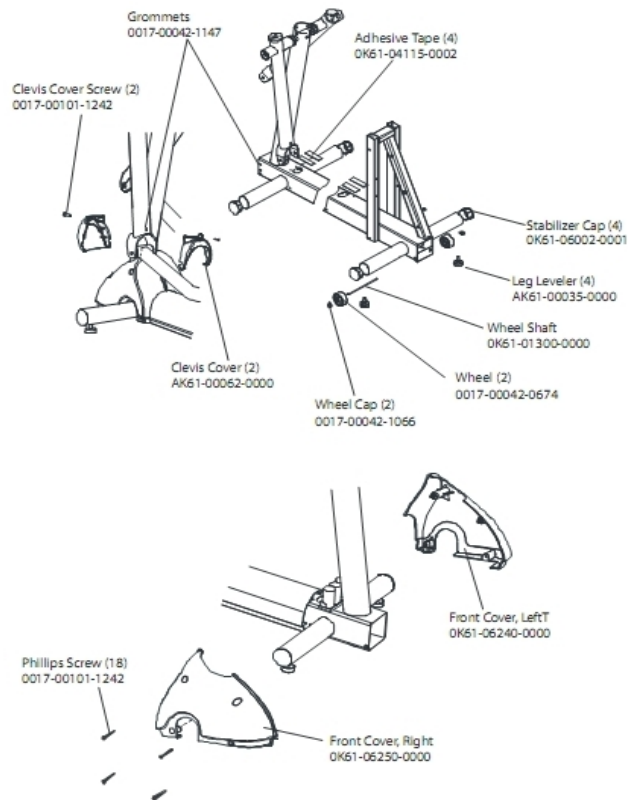
Ref #	Part Number	Qty	Description
-	AK61-00018-0001	1	Outer Pedal Cover: Left
-	AK61-00018-0003	1	Outer Pedal Cover: Right
-	0017-00101-1645	1	Hardware: Bolt
-	OK61-04114-0000	1	Roller Retainer Plate
-	0017-00101-1242	1	Hardware: Phillips Pan Screw 0.75"
-	OK61-01222-0003	2	Decal

Battery, Brackets, And Frame Cover



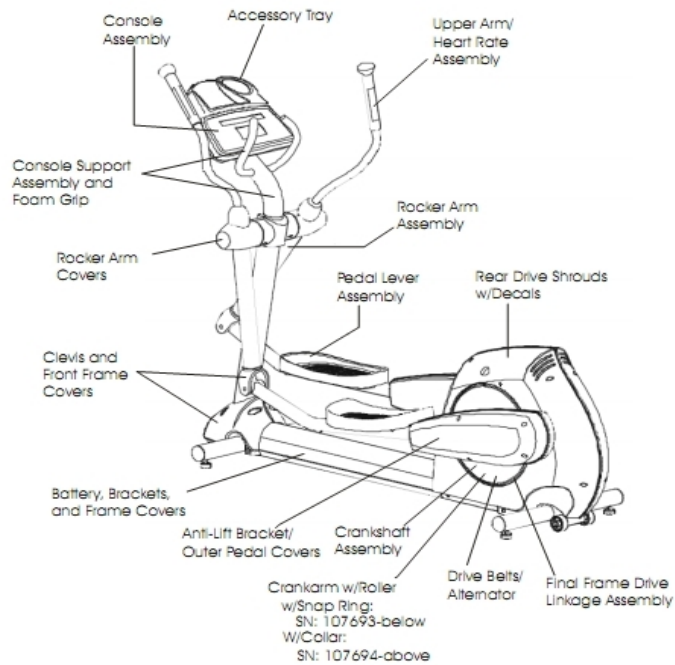
Ref #	Part Number	Qty	Description
-	0017-00003-0685	1	6V Battery
-	0017-00101-1608	4	Hardware: Hex Bolt
-	0017-00104-0192	4	Hardware: Flat Washer 0.813" OD
-	GK61-00002-0044	1	Resistor Bracket Assembly
-	0017-00103-0025	4	Hardware: Locking Nut 3/8" ID
-	0017-00101-1282	6	Hardware: TORX Screw 0.375"
-	0K61-01055-0001	2	Spacer
-	GK61-00002-0023	1	Power Control Bracket Assembly
-	0017-00101-1635	5	Hardware: Hex Bolt 1"
-	GK61-00002-0019	1	Cover

Clevis And Front Frame Covers



Ref #	Part Number	Qty	Description
-	0017-00042-0674	2	Wheel
-	0K61-06002-0001	4	Stabilizer Cap
-	AK61-00035-0000	4	Leg Leveler
-	AK61-00062-0000	2	Clevis Cover
-	0017-00042-0754	1	Hardware: Grommet
-	0K61-06240-0000	1	Front Cover Left
-	0K61-06250-0000	1	Front Cover Right
-	0K61-04115-0002	4	Adhesive Tape
-	0017-00101-1242	20	Hardware: Phillips Pan Screw 0.75"
-	0K61-01300-0000	1	Wheel Shaft
-	0017-00042-1066	2	Push-on cap

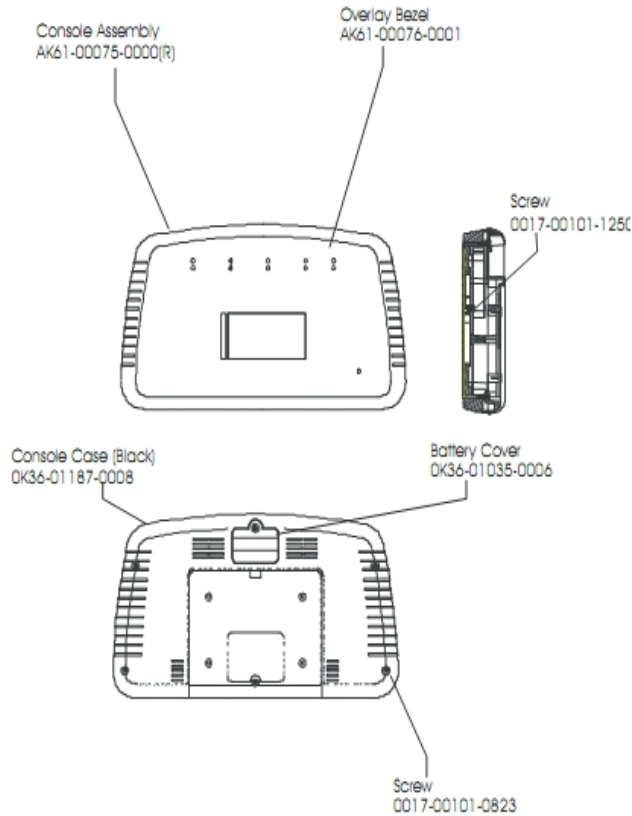
Component Assembly



Optional: Chest Strap
Small: SK40-00045-0002
Medium: SK40-00045-0003
Large: SK40-00045-0004

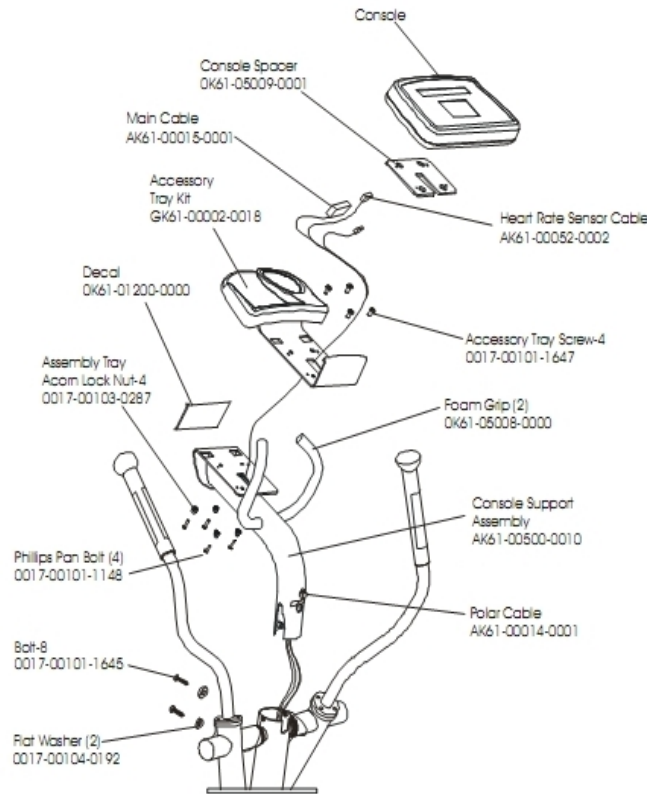
Ref #	Part Number	Qty	Description
-	SK40-00045-0004	1	Chest Strap - Large
-	SK40-00045-0002	1	Chest Strap - Small
-	AK61-00050-0000	1	Hardware Kit
-	SK40-00045-0003	1	Chest Strap - Medium

Console Assembly



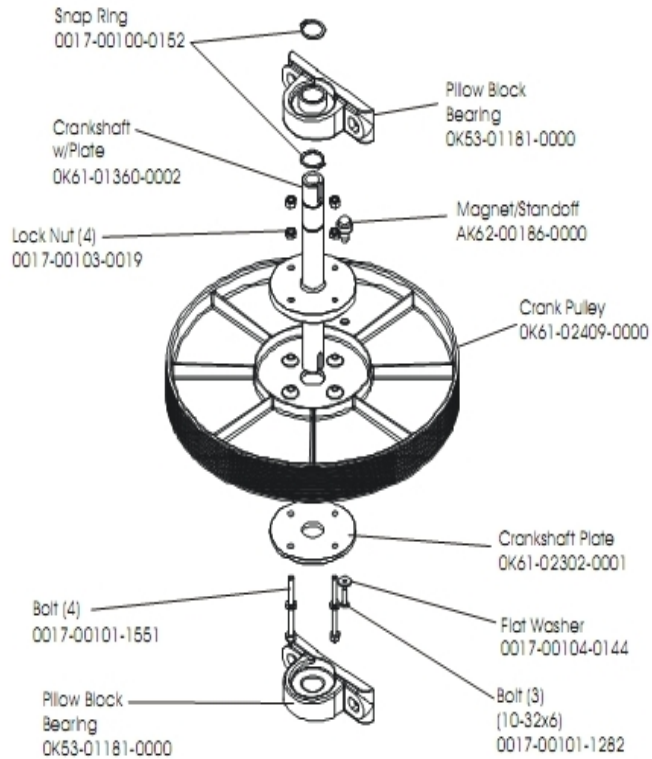
Ref #	Part Number	Qty	Description
-	0017-00101-0823	1	Hardware: Screw 0.75"
-	AK61-00075-0001	1	Console: English/Metric
-	AK61-00075-0001R	1	Console: English/Metric
-	AK61-00076-0001	1	Overlay/Bezel: English/Metric
-	0017-00101-1250	1	Hardware: Screw
-	0K36-01035-0006	1	Battery Cover
-	0K36-01187-0008	1	Console Case (Black)

Console Support Assembly



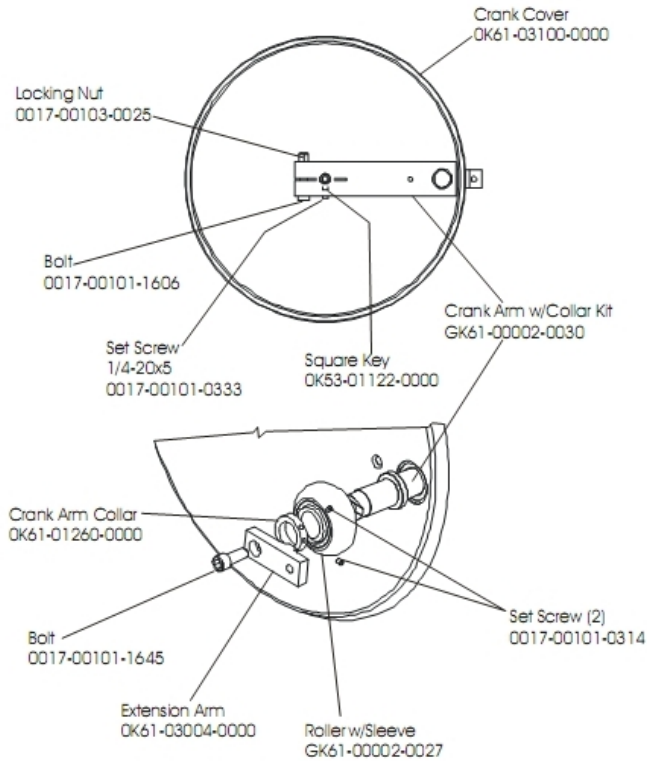
Ref #	Part Number	Qty	Description
-	AK61-00052-0002	1	Lifepulse Sensor Cable
-	AK61-00014-0001	1	Polar Cable
-	0017-00103-0287	4	Hardware: Nut
-	OK61-05009-0001	1	Console Spacer
-	AK61-00015-0001	1	Main Cable
-	0017-00104-0192	2	Hardware: Flat Washer 0.813" OD
-	GK61-00002-0018	1	Accessory Tray Kit
-	OK61-01200-0000	1	Decal
-	OK61-05008-0000	2	Foam Grip
-	0017-00101-1645	8	Hardware: Bolt
-	AK61-00500-0010	1	Console Support Assembly
-	0017-00101-1148	4	Hardware: Phillips Pan Bolt 0.75"
-	0017-00101-1647	4	Hardware: Accessory Tray Screw

Crankshaft Assembly



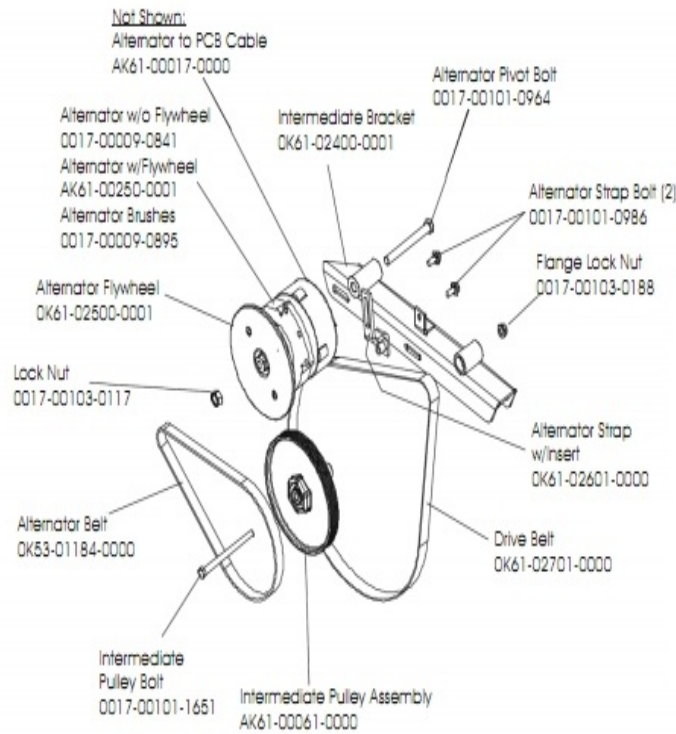
Ref #	Part Number	Qty	Description
-	AK61-00157-0002	1	Crankshaft Assembly
-	0017-00103-0019	4	Hardware: Locking Nut 1/4" ID
-	OK61-01360-0002	1	Crankshaft w/plate
-	0017-00104-0144	1	Hardware: Washer 0.625" OD
-	OK61-02409-0000	1	Poly-V Crank Pulley
-	0017-00101-1551	4	Hardware: Hex Bolt 1.25"
-	OK53-01181-0000	2	Hardware: Pillow Block Bearing
-	0017-00101-1282	3	Hardware: TORX Screw 0.375"
-	OK61-02302-0001	1	Crankshaft Plate
-	0017-00100-0152	1	Hardware: Retaining Ring 1"
-	AK62-00186-0000	1	Magnet-Standoff Assembly

Crank Arm W/Roller Assembly



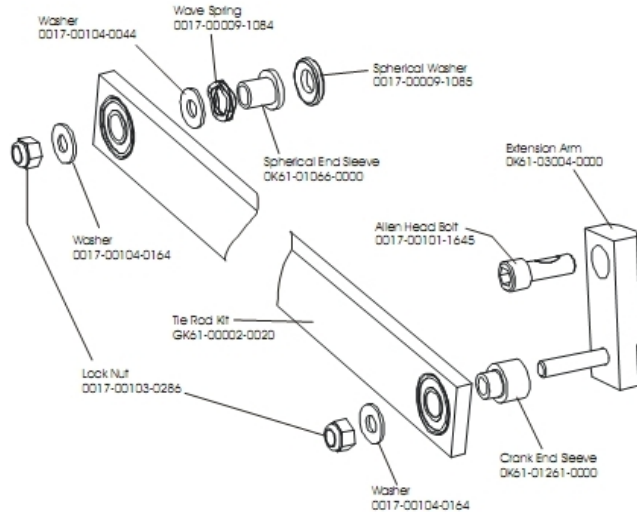
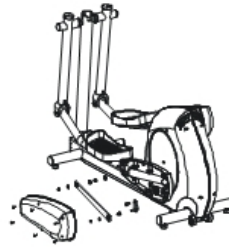
Ref #	Part Number	Qty	Description
-	0017-00101-0333	1	Hardware: Screw 0.3125"
-	0017-00101-1606	1	Hardware: Hex Bolt 2.5"
-	GK61-00002-0030	1	Crank Arm with Collar Kit
-	OK61-03100-0000	1	Crank Cover
-	OK61-01260-0000	1	Crank Arm Shaft Collar
-	0017-00101-0314	2	Hardware: Screw 0.1875"
-	0017-00103-0025	1	Hardware: Locking Nut 3/8" ID
-	GK61-00002-0027	1	Roller Bearing Assembly
-	OK61-03004-0000	1	Arm Extension
-	OK53-01122-0000	1	Square Key
-	0017-00101-1645	1	Hardware: Bolt

Drive Belts And Alternator



Ref #	Part Number	Qty	Description
-	OK53-01447-0000	1	Belt: Poly-V; 32"
-	OK61-01027-0000	1	Flywheel: 6.75" D
-	GK61-00002-0056	1	KIT: CROSS TRAINER BELT AND PULLEY
-	0017-00101-0986	2	Hardware: Bolt 0.75"
-	0017-00103-0117	1	Hardware: Locking Nut 1/2" ID
-	AK61-00250-0001	1	Alternator w/Flywheel
-	OK61-02601-0000	1	Alternator Strap with Insert
-	0017-00103-0188	1	Hardware: Flange Lock Nut 3/8" ID
-	0017-00101-1651	1	Hardware: Intermediate Pulley Bolt 5.5"
-	AK61-00017-0000	1	Alternator to PCB Cable
-	0017-00009-0895	1	Alternator Brush Kit
-	OK61-02400-0001	1	Intermediate Bracket
-	AK61-00061-0000	1	Intermediate Pulley Assembly
-	0017-00009-0841	1	Alternator
-	0017-00101-0964	1	Hardware: Alternator Pivot Bolt 4.5"

Final Frame Drive Linkage Assembly

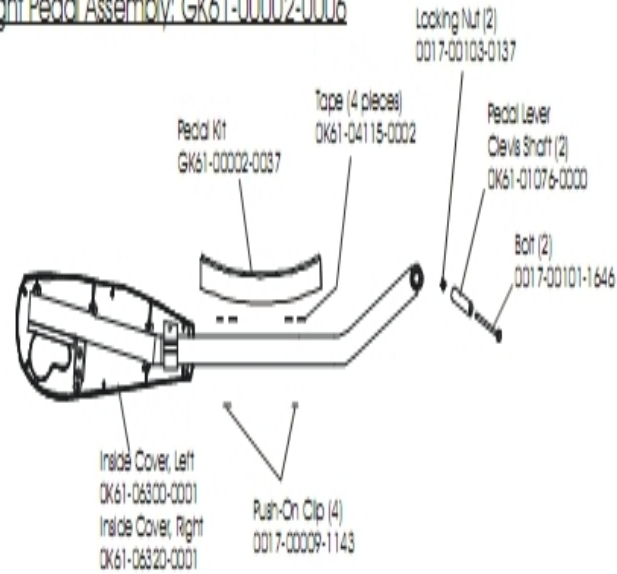


Ref #	Part Number	Qty	Description
-	0K61-03004-0000	1	Arm Extension
-	GK61-00002-0020	1	Drive Linkage Assembly Kit
-	0K61-01261-0000	1	Control Link Sleeve
-	0017-00101-1645	1	Hardware: Bolt
-	0017-00104-0164	2	Hardware: Washer 0.75" OD
-	0017-00104-0044	1	Hardware: Washer 0.75" OD
-	0K61-01066-0000	1	Spherical End Sleeve
-	0017-00009-1084	1	Wave Spring
-	0017-00009-1085	1	Spherical Washer
-	0017-00103-0286	1	Hardware: Locking Nut

Pedal Lever Assembly

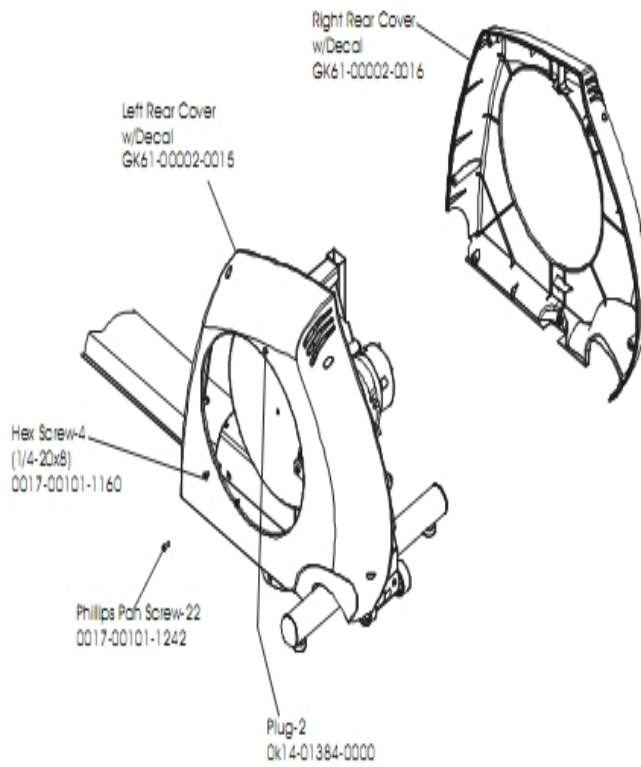
Left Pedal Assembly: GK61-00002-0005

Right Pedal Assembly: GK61-00002-0006



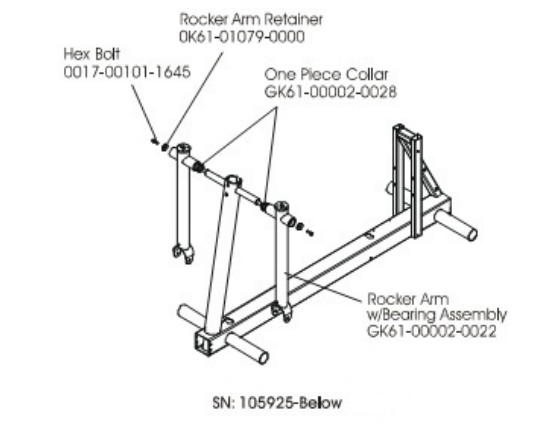
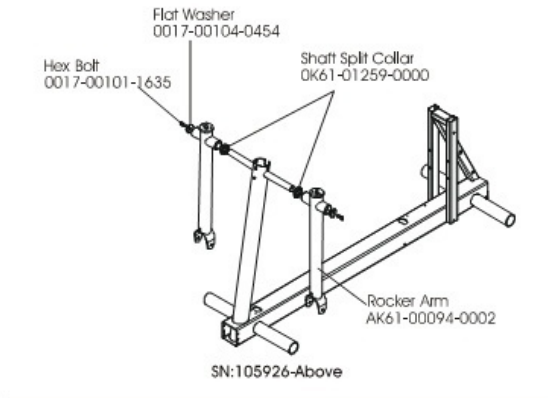
Ref #	Part Number	Qty	Description
-	GK61-00002-0006	1	Right Pedal Assembly
-	0017-00101-1646	2	Hardware: Bolt 4.25"
-	GK61-00002-0037	1	Pedal Kit
-	0017-00103-0137	2	Hardware: Locking Nut 3/8" ID
-	0017-00009-1143	4	Clip
-	GK61-00002-0005	1	Left Pedal Assembly
-	OK61-06320-0001	1	Inside Cover Right
-	OK61-01076-0000	2	Pedal Lever Clevis Shaft
-	OK61-06300-0001	1	Inside Cover Left
-	OK61-04115-0002	1	Adhesive Tape

Rear Drive Shrouds With Decals



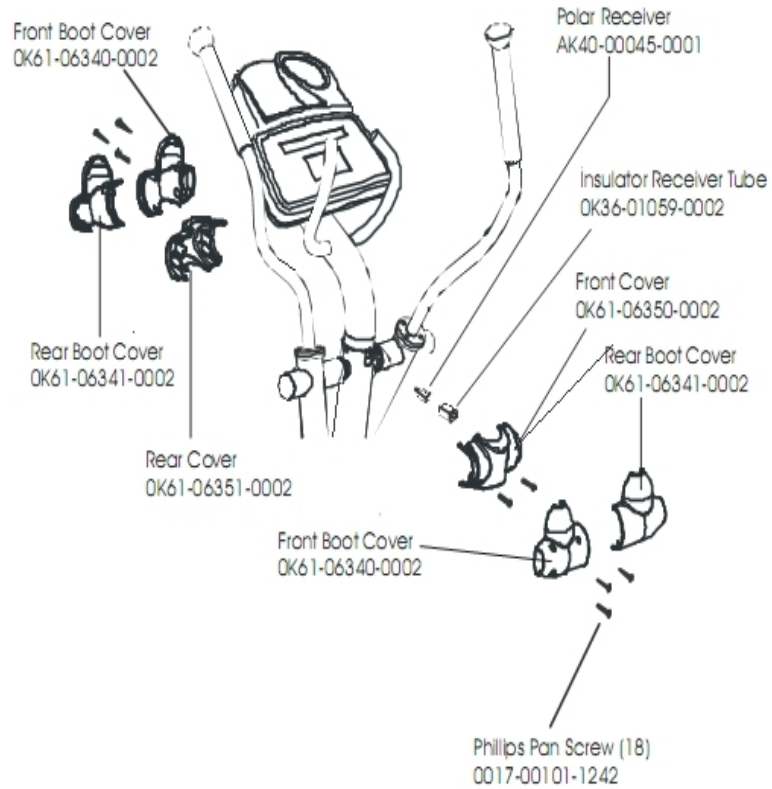
Ref #	Part Number	Qty	Description
-	0017-00101-1242	2	Hardware: Phillips Pan Screw 0.75"
-	0017-00101-1160	4	Hardware: Hex Screw
-	OK14-01384-0000	2	Plug
-	GK61-00002-0015	1	Left Rear Cover with Decal
-	GK61-00002-0016	1	Right Rear Cover with Decal

Rocker Arm Assembly



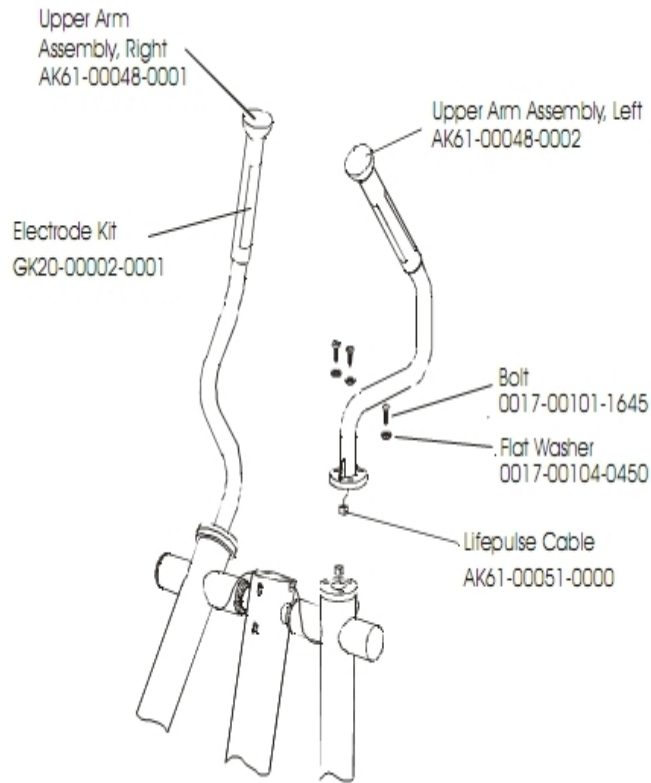
Ref #	Part Number	Qty	Description
-	AK61-00094-0002	1	Rocker Arm
-	GK61-00002-0028	1	Rocker Arm Collar
-	0017-00101-1645	1	Hardware: Bolt
-	GK61-00002-0022	1	Rocker Arm with Bearing Assembly
-	OK61-01079-0000	1	Rocker Arm Retainer
-	0017-00104-0454	1	Hardware: Flat Washer 1.62" OD
-	OK61-01259-0000	1	Shaft Split Collar
-	0017-00101-1635	1	Hardware: Hex Bolt 1"

Rocker Arm Covers



Ref #	Part Number	Qty	Description
-	OK36-01059-0002	1	Insulator Receiver Tube
-	0017-00101-1242	18	Hardware: Phillips Pan Screw 0.75"
-	OK61-06351-0002	1	Rear Cover
-	SK40-00045-0001	1	Polar HR Kit
-	OK61-06350-0002	1	Front Cover
-	OK61-06340-0002	2	Front Boot Cover
-	OK61-06341-0002	2	Rear Boot Cover

Upper Arm/Heart Rate Assembly



Ref #	Part Number	Qty	Description
-	0017-00101-1645	1	Hardware: Bolt
-	AK61-00051-0000	1	Bullhorn HR cables
-	0017-00104-0450	1	Hardware: Flat Washer 0.67" OD
-	AK61-00048-0001	1	Upper Arm Assembly: Right
-	GK20-00002-0001	1	Heart Rate Electrode Kit
-	AK61-00048-0002	1	Upper Arm Assembly: Left

