

CT 950HRR Cross-Trainer - Total Body System

CT95-0100-17

Parts Manual

1/5/2019 13:26:42 PM

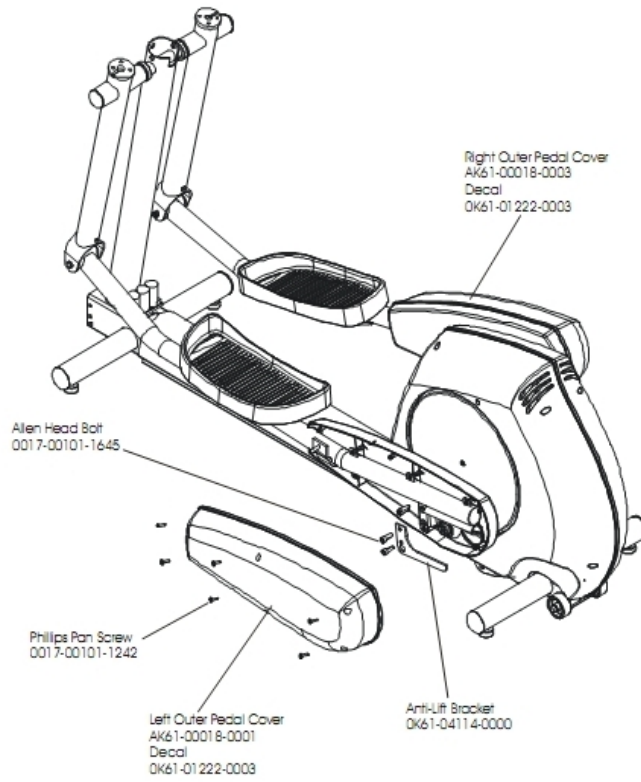


LifeFitness
WHAT WE LIVE FOR

Table of Contents

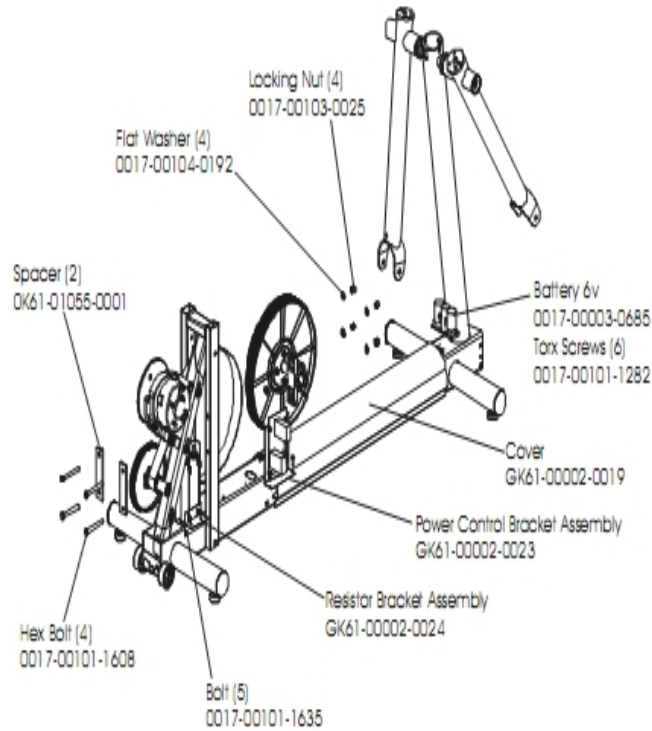
Anti-Lift Bracket, Outer Pedal Covers.....	3
Battery, Brackets, And Frame Cover.....	4
Clevis And Front Frame Covers.....	5
Console Assembly.....	6
Console Support Assembly.....	7
Crankshaft Assembly.....	8
Crank Arm W/Roller Assembly.....	9
Drive Belts And Alternator.....	10
Final Frame Drive Linkage Assembly.....	11
General Assembly.....	12
Pedal Lever Assembly.....	13
Rear Drive Shrouds With Decals.....	14
Rocker Arm Assembly.....	15
Rocker Arm Covers.....	16
Upper Arm/Heart Rate Assembly.....	17

Anti-Lift Bracket, Outer Pedal Covers



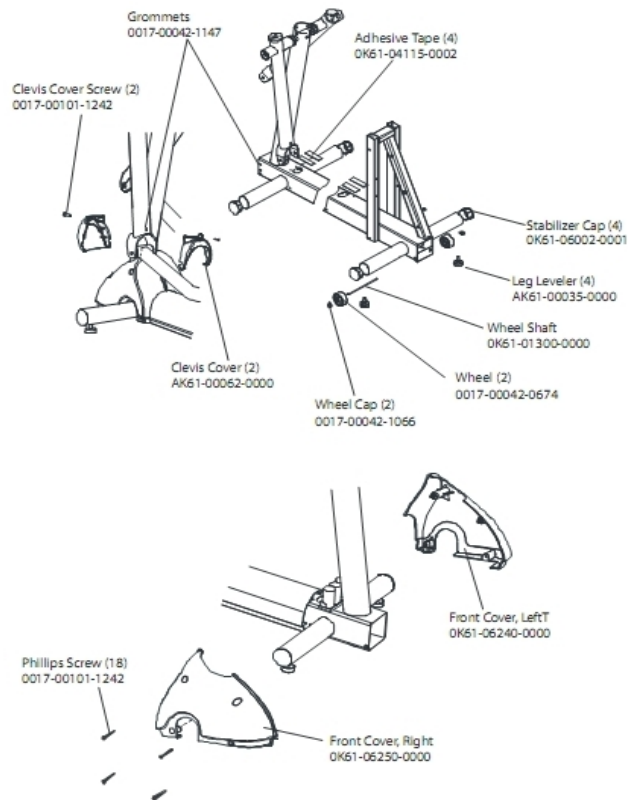
Ref #	Part Number	Qty	Description
-	AK61-00018-0001	1	Outer Pedal Cover: Left
-	AK61-00018-0003	1	Outer Pedal Cover: Right
-	0017-00101-1645	1	Hardware: Bolt
-	0K61-04114-0000	1	Roller Retainer Plate
-	0017-00101-1242	1	Hardware: Phillips Pan Screw 0.75"
-	0K61-01222-0003	2	Decal

Battery, Brackets, And Frame Cover



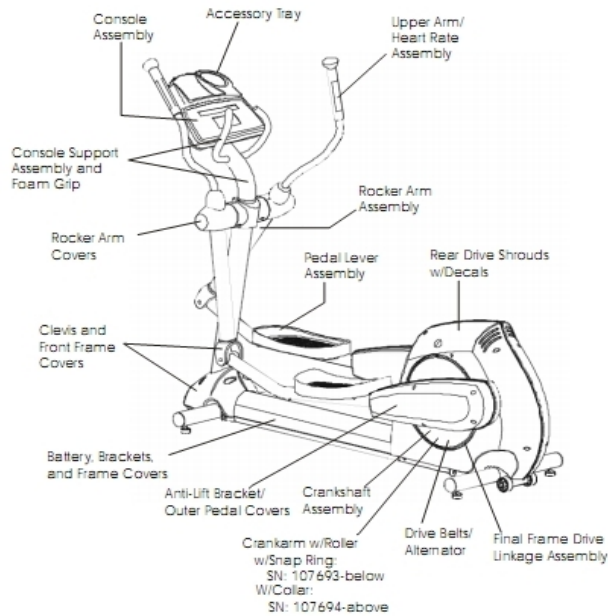
Ref #	Part Number	Qty	Description
-	0017-00003-0685	1	6V Battery
-	0017-00101-1608	4	Hardware: Hex Bolt
-	0017-00104-0192	4	Hardware: Flat Washer 0.813" OD
-	GK61-00002-0044	1	Resistor Bracket Assembly
-	0017-00103-0025	4	Hardware: Locking Nut 3/8" ID
-	0017-00101-1282	6	Hardware: TORX Screw 0.375"
-	0K61-01055-0001	2	Spacer
-	GK61-00002-0023	1	Power Control Bracket Assembly
-	0017-00101-1635	5	Hardware: Hex Bolt 1"
-	GK61-00002-0019	1	Cover

Clevis And Front Frame Covers



Ref #	Part Number	Qty	Description
-	0K61-01300-0000	1	Wheel Shaft
-	0K61-06250-0000	1	Front Cover Right
-	0K61-06240-0000	1	Front Cover Left
-	0017-00042-0754	1	Hardware: Grommet
-	0K61-04115-0002	4	Adhesive Tape
-	0K61-06002-0001	4	Stabilizer Cap
-	0017-00042-0674	2	Wheel
-	AK61-00062-0000	2	Clevis Cover
-	AK61-00035-0000	4	Leg Leveler
-	0017-00042-1066	2	Push-on cap
-	0017-00101-1242	20	Hardware: Phillips Pan Screw 0.75"

Console Assembly

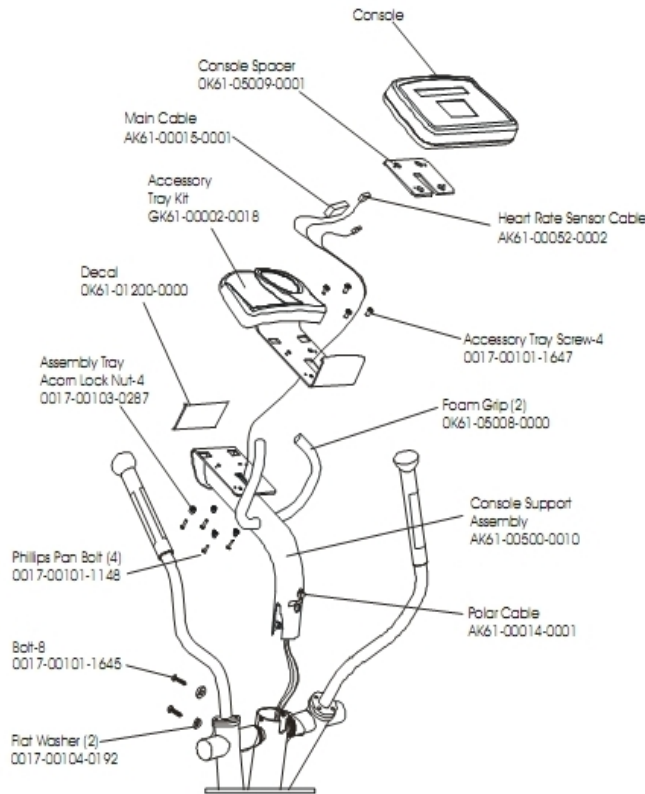


Chest Strap (optional)	Small	SK40-00045-0002
	Medium	SK40-00045-0003
	Large	SK40-00045-0004

REV 11 JUL 2008

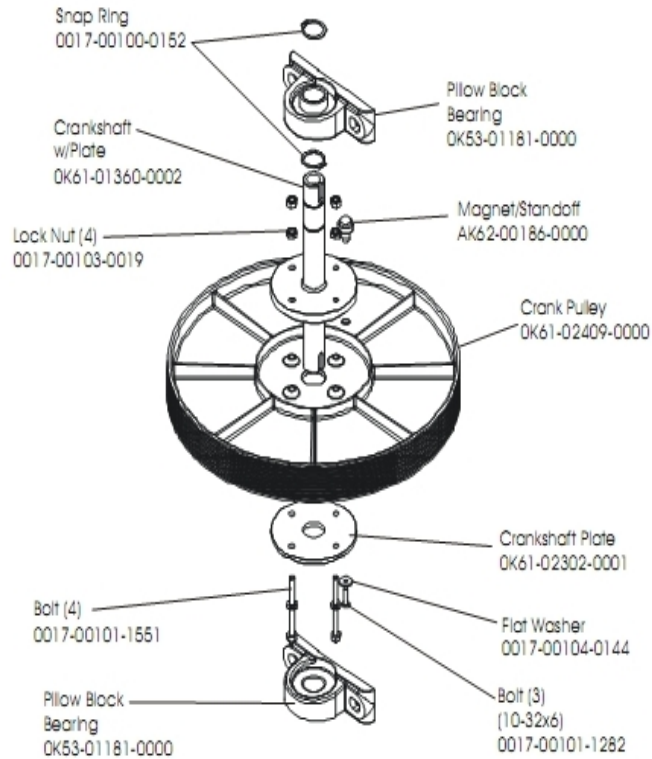
Ref #	Part Number	Qty	Description
-	0K36-01035-0006	1	Battery Cover
-	0017-00101-0823	1	Hardware: Screw 0.75"
-	0017-00101-1250	1	Hardware: Screw
-	AK61-00075-0001	1	Console: English/Metric
-	AK61-00076-0001	1	Overlay/Bezel: English/Metric
-	0K36-01187-0008	1	Console Case (Black)

Console Support Assembly



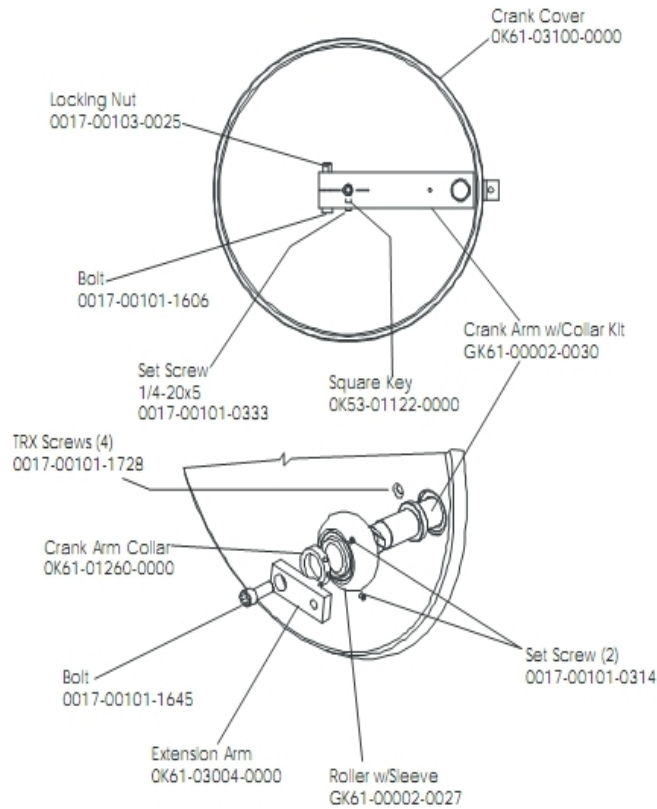
Ref #	Part Number	Qty	Description
-	0017-00104-0192	2	Hardware: Flat Washer 0.813" OD
-	OK61-05008-0000	2	Foam Grip
-	GK61-00002-0018	1	Accessory Tray Kit
-	AK61-00052-0002	1	Lifepulse Sensor Cable
-	AK61-00014-0001	1	Polar Cable
-	AK61-00500-0010	1	Console Support Assembly
-	0017-00103-0287	4	Hardware: Nut
-	OK61-05009-0001	1	Console Spacer
-	OK61-01200-0000	1	Decal
-	AK61-00015-0001	1	Main Cable
-	0017-00101-1647	4	Hardware: Accessory Tray Screw
-	0017-00101-1148	4	Hardware: Phillips Pan Bolt 0.75"
-	0017-00101-1645	8	Hardware: Bolt

Crankshaft Assembly



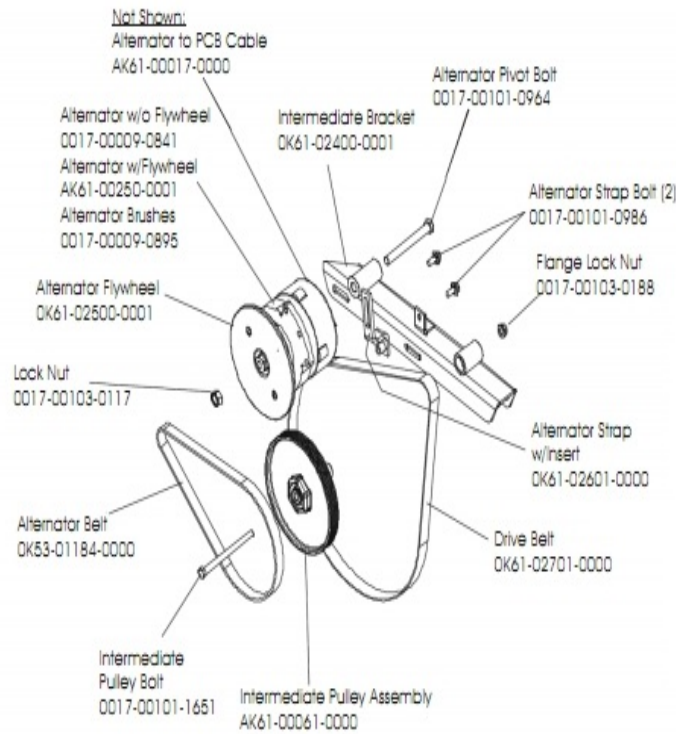
Ref #	Part Number	Qty	Description
-	0017-00104-0144	1	Hardware: Washer 0.625" OD
-	0017-00103-0019	4	Hardware: Locking Nut 1/4" ID
-	AK62-00186-0000	1	Magnet-Standoff Assembly
-	0017-00100-0152	1	Hardware: Retaining Ring 1"
-	OK61-02409-0000	1	Poly-V Crank Pulley
-	OK53-01181-0000	2	Hardware: Pillow Block Bearing
-	0017-00101-1551	4	Hardware: Hex Bolt 1.25"
-	0017-00101-1282	3	Hardware: TORX Screw 0.375"
-	OK61-02302-0001	1	Crankshaft Plate
-	AK61-00157-0002	1	Crankshaft Assembly
-	OK61-01360-0002	1	Crankshaft w/plate

Crank Arm W/Roller Assembly



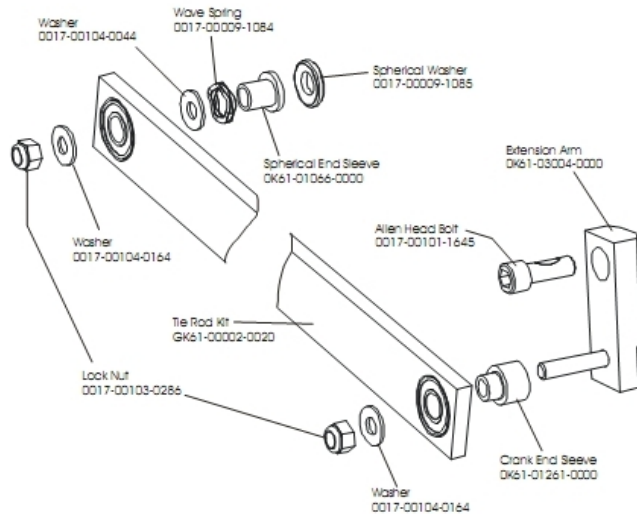
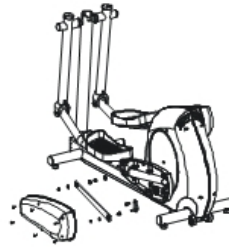
Ref #	Part Number	Qty	Description
-	OK53-01122-0000	1	Square Key
-	0017-00101-1844	4	Hardware: Screw
-	GK61-00002-0030	1	Crank Arm with Collar Kit
-	0017-00101-1606	1	Hardware: Hex Bolt 2.5"
-	0017-00103-0025	1	Hardware: Locking Nut 3/8" ID
-	OK61-03004-0000	1	Arm Extension
-	GK61-00002-0027	1	Roller Bearing Assembly
-	0017-00101-0314	2	Hardware: Screw 0.1875"
-	0017-00101-1645	1	Hardware: Bolt
-	0017-00101-0333	1	Hardware: Screw 0.3125"
-	OK61-03100-0000	1	Crank Cover
-	OK61-01260-0000	1	Crank Arm Shaft Collar

Drive Belts And Alternator



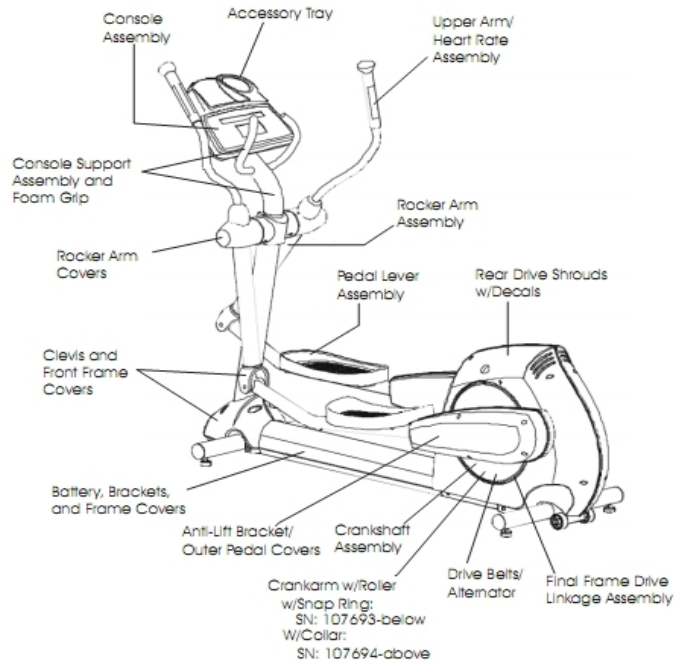
Ref #	Part Number	Qty	Description
-	OK53-01447-0000	1	Belt: Poly-V; 32"
-	OK61-01027-0000	1	Flywheel: 6.75" D
-	GK61-00002-0056	1	KIT: CROSS TRAINER BELT AND PULLEY
-	0017-00101-0986	2	Hardware: Bolt 0.75"
-	0017-00103-0117	1	Hardware: Locking Nut 1/2" ID
-	AK61-00250-0001	1	Alternator w/Flywheel
-	OK61-02601-0000	1	Alternator Strap with Insert
-	0017-00103-0188	1	Hardware: Flange Lock Nut 3/8" ID
-	0017-00101-1651	1	Hardware: Intermediate Pulley Bolt 5.5"
-	AK61-00017-0000	1	Alternator to PCB Cable
-	0017-00009-0895	1	Alternator Brush Kit
-	OK61-02400-0001	1	Intermediate Bracket
-	AK61-00061-0000	1	Intermediate Pulley Assembly
-	0017-00009-0841	1	Alternator
-	0017-00101-0964	1	Hardware: Alternator Pivot Bolt 4.5"

Final Frame Drive Linkage Assembly



Ref #	Part Number	Qty	Description
-	GK61-00002-0020	1	Drive Linkage Assembly Kit
-	0K61-01066-0000	1	Spherical End Sleeve
-	0017-00103-0286	1	Hardware: Locking Nut
-	0K61-01261-0000	1	Control Link Sleeve
-	0K61-03004-0000	1	Arm Extension
-	0017-00009-1084	1	Wave Spring
-	0017-00101-1645	1	Hardware: Bolt
-	0017-00009-1085	1	Spherical Washer
-	0017-00104-0044	1	Hardware: Washer 0.75" OD
-	0017-00104-0164	2	Hardware: Washer 0.75" OD

General Assembly



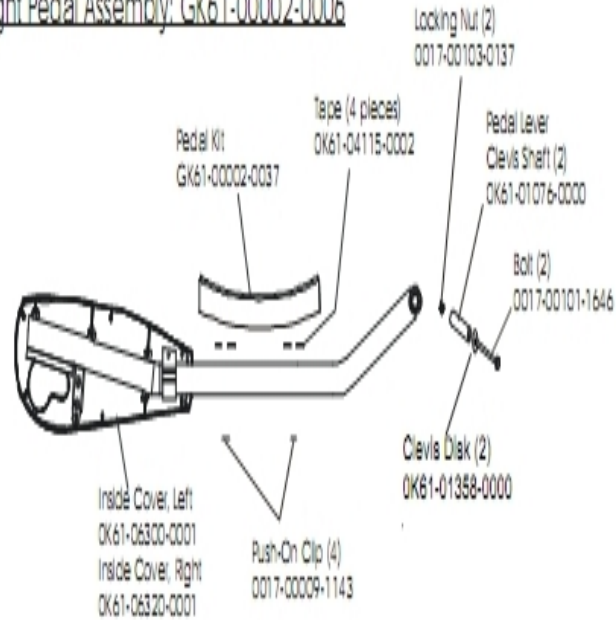
Optional: Chest Strap
 Small: SK40-00045-0002
 Medium: SK40-00045-0003
 Large: SK40-00045-0004

Ref #	Part Number	Qty	Description
-	SK40-00045-0002	1	Chest Strap - Small
-	SK40-00045-0003	1	Chest Strap - Medium
-	SK40-00045-0004	1	Chest Strap - Large
-	AK61-00050-0000	1	Hardware Kit

Pedal Lever Assembly

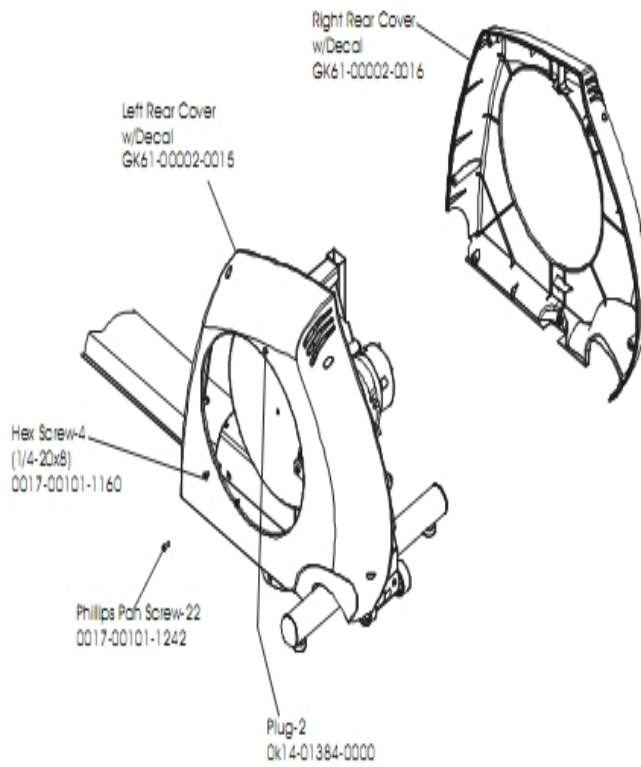
Left Pedal Assembly: GK61-00002-0005

Right Pedal Assembly: GK61-00002-0006



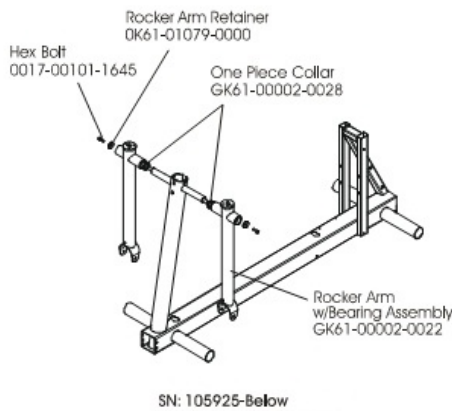
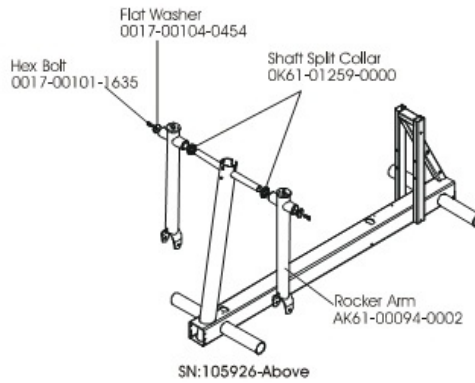
Ref #	Part Number	Qty	Description
-	GK61-00002-0006	1	Right Pedal Assembly
-	OK61-04115-0002	1	Adhesive Tape
-	OK61-06300-0001	1	Inside Cover Left
-	OK61-01076-0000	2	Pedal Lever Clevis Shaft
-	OK61-06320-0001	1	Inside Cover Right
-	0017-00103-0137	2	Hardware: Locking Nut 3/8" ID
-	0017-00101-1646	2	Hardware: Bolt 4.25"
-	GK61-00002-0037	1	Pedal Kit
-	GK61-00002-0005	1	Left Pedal Assembly
-	0017-00009-1143	4	Clip

Rear Drive Shrouds With Decals



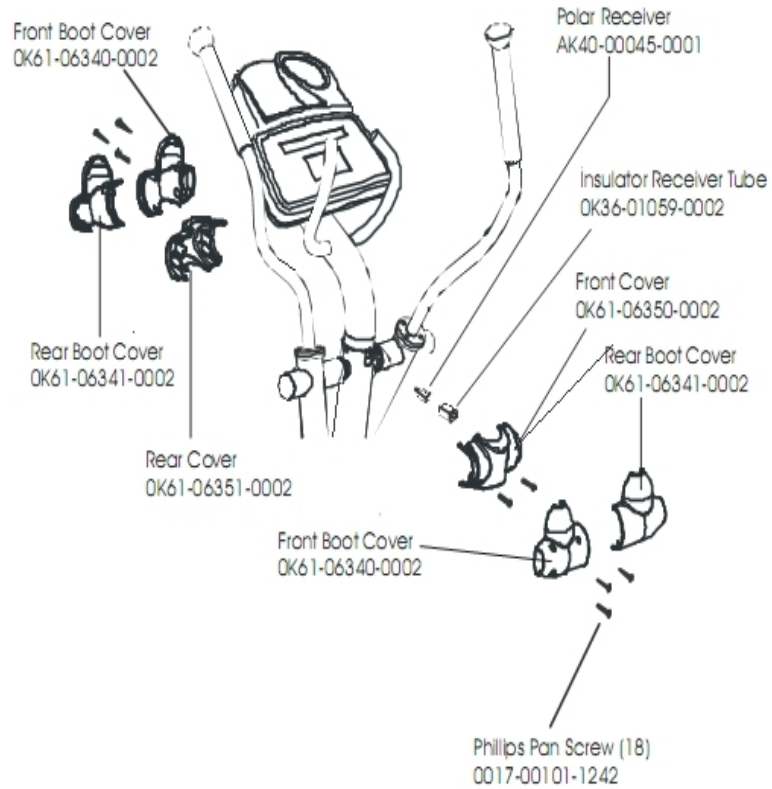
Ref #	Part Number	Qty	Description
-	GK61-00002-0015	1	Left Rear Cover with Decal
-	GK61-00002-0016	1	Right Rear Cover with Decal
-	0017-00101-1160	4	Hardware: Hex Screw
-	0017-00101-1242	22	Hardware: Phillips Pan Screw 0.75"
-	0K14-01384-0000	2	Plug

Rocker Arm Assembly



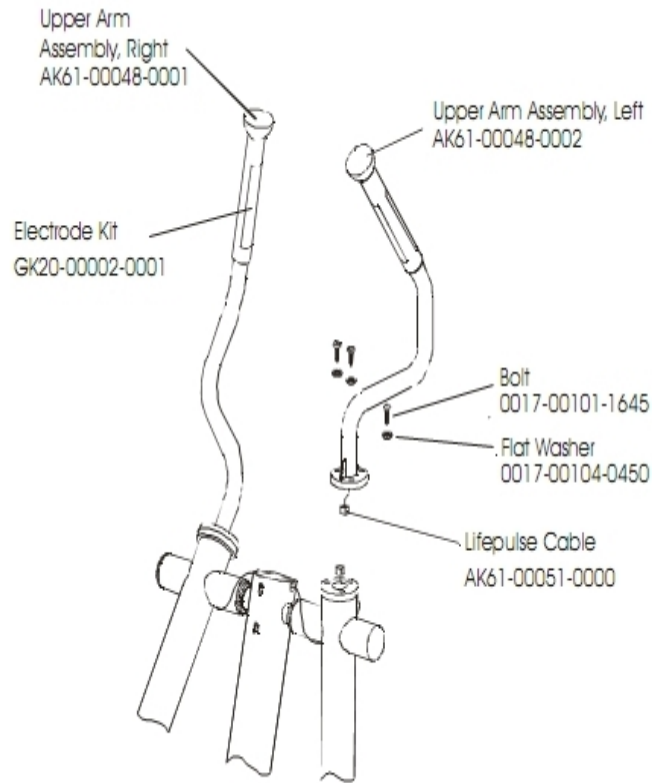
Ref #	Part Number	Qty	Description
-	0017-00104-0454	1	Hardware: Flat Washer 1.62" OD
-	AK61-00094-0002	1	Rocker Arm
-	0017-00101-1635	1	Hardware: Hex Bolt 1"
-	OK61-01259-0000	1	Shaft Split Collar

Rocker Arm Covers



Ref #	Part Number	Qty	Description
-	SK40-00045-0001	1	Polar HR Kit
-	OK61-06350-0002	1	Front Cover
-	OK61-06340-0002	2	Front Boot Cover
-	OK61-06351-0002	1	Rear Cover
-	OK36-01059-0002	1	Insulator Receiver Tube
-	0017-00101-1242	18	Hardware: Phillips Pan Screw 0.75"
-	OK61-06341-0002	2	Rear Boot Cover

Upper Arm/Heart Rate Assembly



Ref #	Part Number	Qty	Description
-	0017-00101-1645	1	Hardware: Bolt
-	AK61-00048-0001	1	Upper Arm Assembly: Right
-	AK61-00048-0002	1	Upper Arm Assembly: Left
-	GK20-00002-0001	1	Heart Rate Electrode Kit
-	AK61-00051-0000	1	Bullhorn HR cables
-	0017-00104-0450	1	Hardware: Flat Washer 0.67" OD

