

CT9500HR Cross-Trainer Rear Drive Universal Console

CT95-0100-21

Parts Manual

1/5/2019 13:26:43 PM



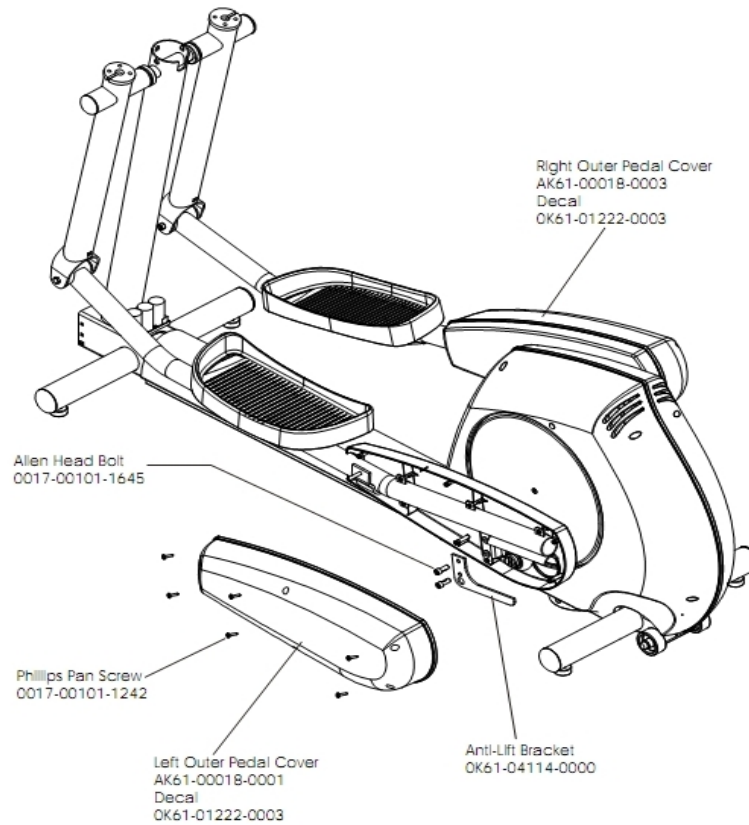


**CT95-0100-21 - CT9500HR
CROSS-TRAINER REAR DRIVE
UNIVERSAL CONSOLE**

Table of Contents

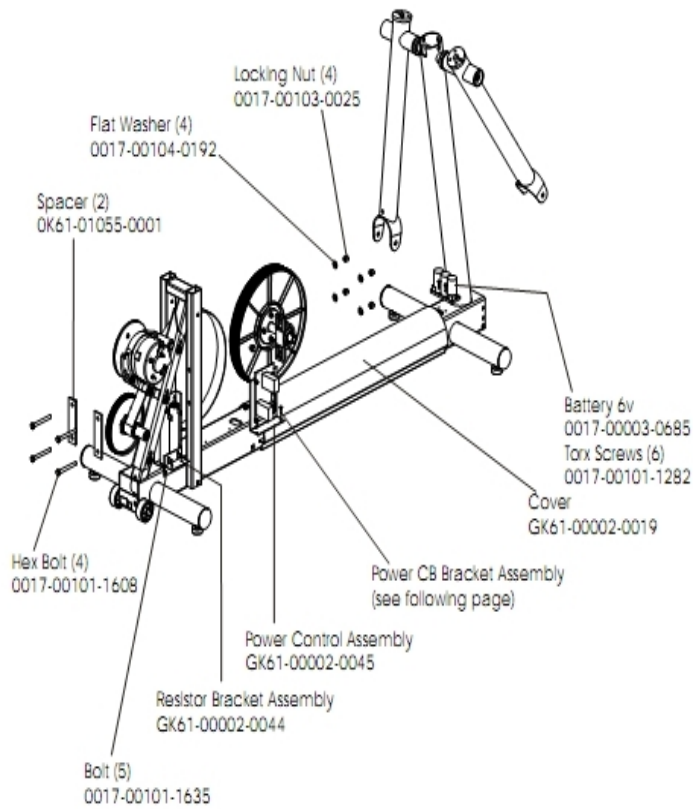
Anti-Lift Bracket And Outer Pedal Covers.....	3
Battery, Brackets, And Frame Cover.....	4
Cables.....	5
Clevis And Front Frame Covers.....	6
Console Board - Upper.....	7
Console Support Assembly *Optional.....	8
Crankshaft Assembly.....	9
Crank Arm W/Roller Assembly.....	10
Drive Belts And Alternator.....	11
Final Frame Drive Linkage Assembly.....	12
General Assembly.....	13
Pedal Lever Assembly.....	14
Power Cb Bracket Assembly.....	15
Rear Drive Shrouds With Decals.....	16
Rocker Arm Assembly.....	17
Rocker Arm Covers.....	18
Upper Arm / Heart Rate Assembly.....	19

Anti-Lift Bracket And Outer Pedal Covers



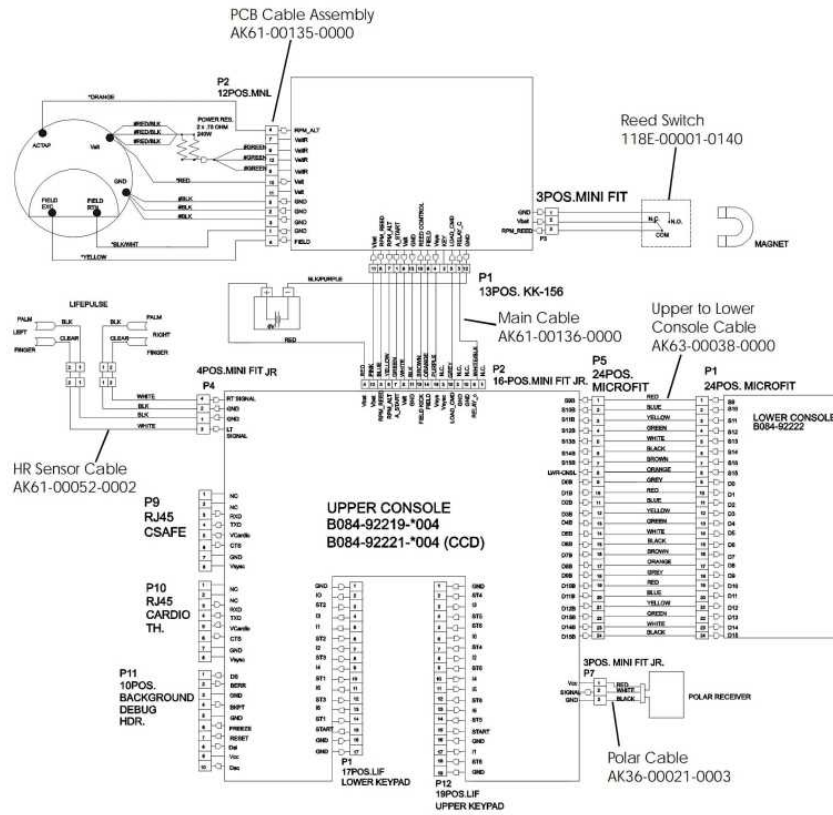
Ref #	Part Number	Qty	Description
-	AK61-00018-0001	1	Outer Pedal Cover: Left
-	AK61-00018-0003	1	Outer Pedal Cover: Right
-	0017-00101-1645	1	Hardware: Bolt
-	OK61-04114-0000	1	Roller Retainer Plate
-	0017-00101-1242	1	Hardware: Phillips Pan Screw 0.75"
-	OK61-01222-0003	2	Decal

Battery, Brackets, And Frame Cover



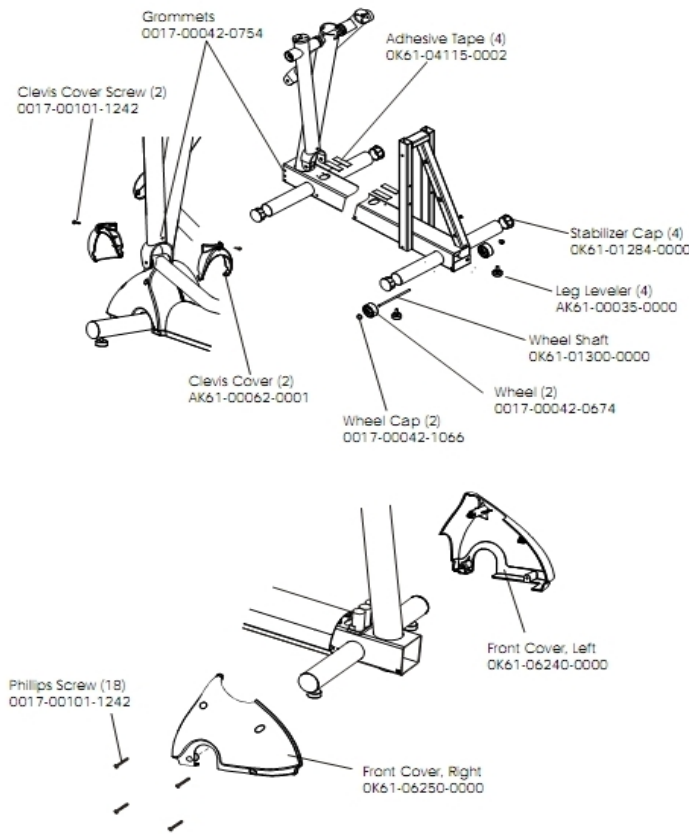
Ref #	Part Number	Qty	Description
-	0017-00003-0685	1	6V Battery
-	0017-00101-1608	4	Hardware: Hex Bolt
-	0017-00104-0192	4	Hardware: Flat Washer 0.813" OD
-	GK61-00002-0044	1	Resistor Bracket Assembly
-	0017-00103-0025	4	Hardware: Locking Nut 3/8" ID
-	0017-00101-1282	6	Hardware: TORX Screw 0.375"
-	0K61-01055-0001	2	Spacer
-	GK61-00002-0045	1	Power Control Board
-	0017-00101-1635	5	Hardware: Hex Bolt 1"
-	GK61-00002-0019	1	Cover

Cables



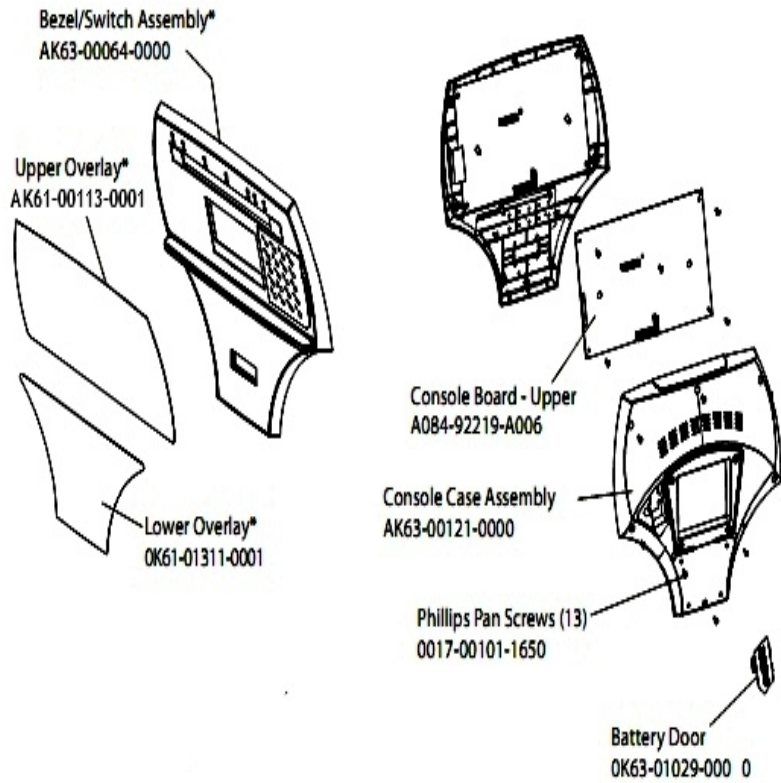
Ref #	Part Number	Qty	Description
-	AK61-00136-0000	1	Main Cable
-	AK36-00021-0003	1	Cable Assembly
-	AK63-00038-0000	1	Lower Console Cable

Clevis And Front Frame Covers



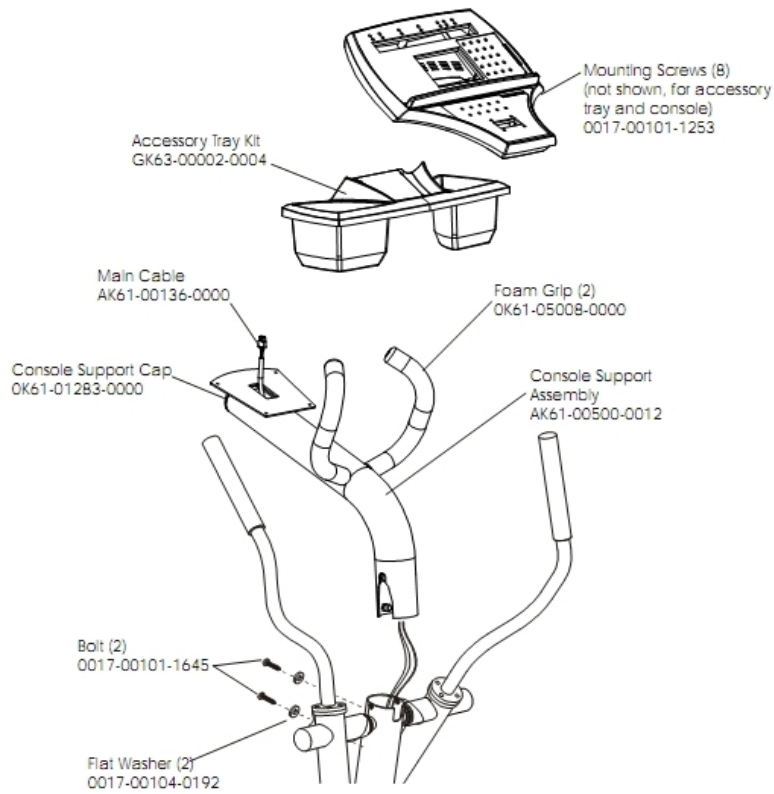
Ref #	Part Number	Qty	Description
-	AK61-00035-0000	4	Leg Leveler
-	AK61-00062-0001	2	Clevis Cover
-	OK61-06250-0000	1	Front Cover Right
-	OK61-01300-0000	1	Wheel Shaft
-	0017-00101-1242	20	Hardware: Phillips Pan Screw 0.75"
-	0017-00042-0754	1	Hardware: Grommet
-	OK61-01284-0000	4	Stabilizer Cap
-	0017-00042-1066	2	Push-on cap
-	0017-00042-0674	2	Wheel
-	OK61-06240-0000	1	Front Cover Left
-	OK61-04115-0002	4	Adhesive Tape

Console Board - Upper



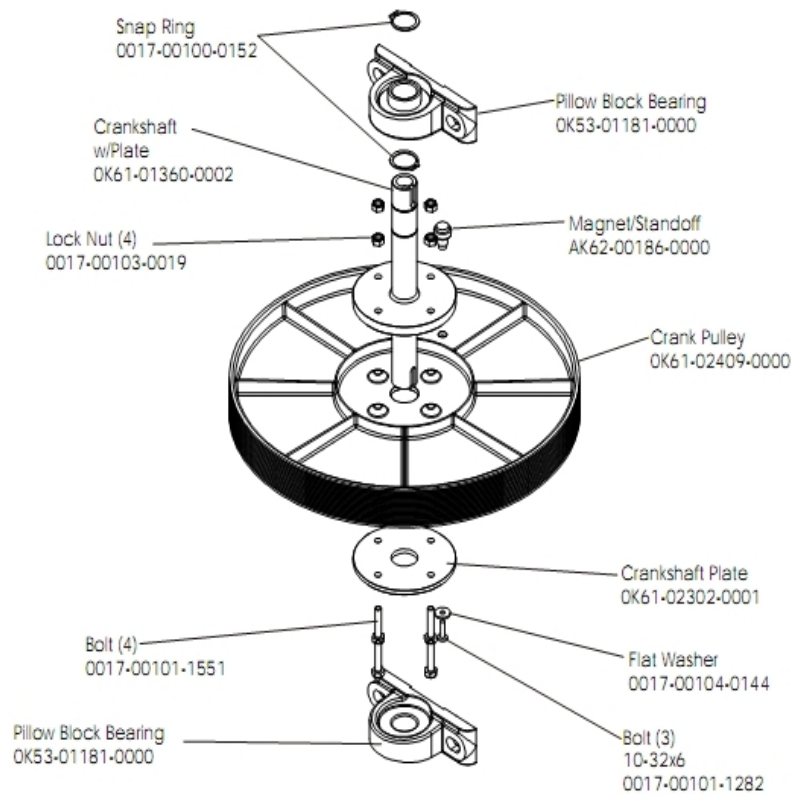
Ref #	Part Number	Qty	Description
-	OK61-01277-0001	1	Upper Overlay English
-	OK63-01029-0000	1	Battery Door
-	OK61-01311-0001	1	Lower Overlay English
-	A084-92219-A006	1	Console Board - Upper
-	0017-00101-1650	13	Hardware: Phillips Pan Screw 0.375"
-	AK61-00111-0001	1	Console: English/English
-	AK63-00121-0000	1	Console Case Assembly
-	AK63-00064-0000	1	Bezel/Switch Assembly
-	AK61-00113-0001	1	Bezel Switch with Overlay: English/Metric

Console Support Assembly *Optional



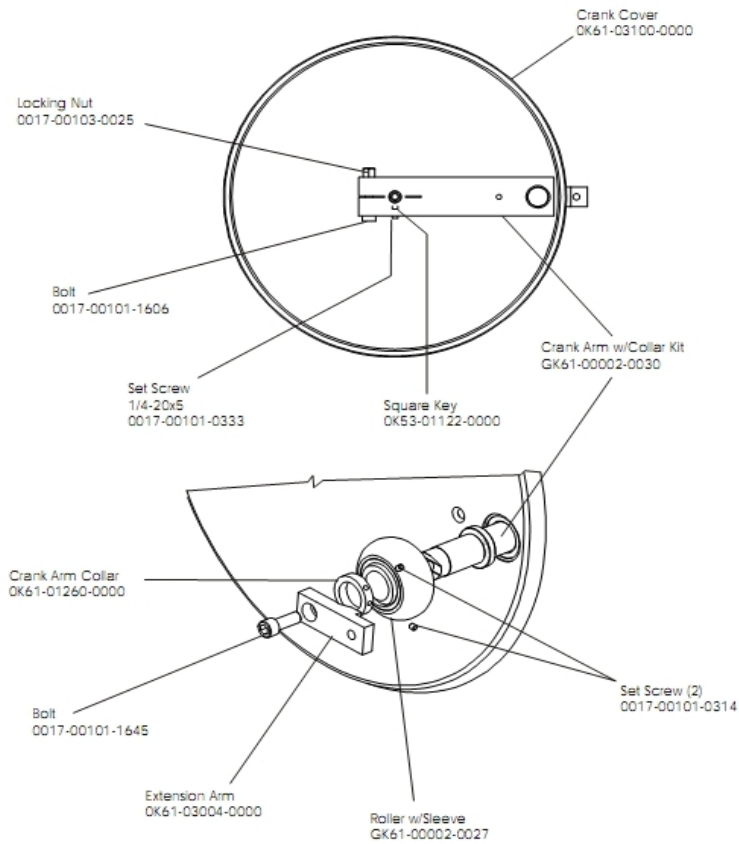
Ref #	Part Number	Qty	Description
-	AK61-00500-0012	1	Console Support Assembly
-	GK63-00002-0004	1	Accessory Tray
-	0017-00104-0192	2	Hardware: Flat Washer 0.813" OD
-	OK61-01283-0000	1	Console Support Cap
-	0017-00101-1253	1	Hardware: Screw
-	0017-00101-1645	2	Hardware: Bolt
-	AK61-00136-0000	1	Main Cable
-	OK61-05008-0000	2	Foam Grip

Crankshaft Assembly



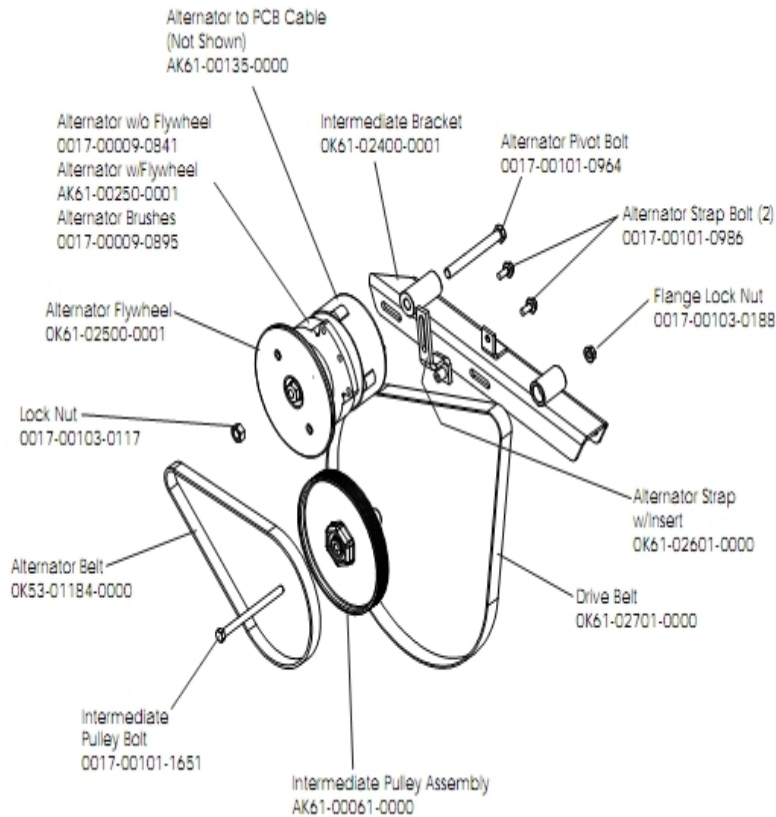
Ref #	Part Number	Qty	Description
-	0017-00104-0144	1	Hardware: Washer 0.625" OD
-	OK53-01181-0000	2	Hardware: Pillow Block Bearing
-	OK61-01360-0002	1	Crankshaft w/plate
-	0017-00103-0019	4	Hardware: Locking Nut 1/4" ID
-	0017-00101-1282	3	Hardware: TORX Screw 0.375"
-	OK61-02302-0001	1	Crankshaft Plate
-	0017-00100-0152	1	Hardware: Retaining Ring 1"
-	AK62-00186-0000	1	Magnet-Standoff Assembly
-	0017-00101-1551	4	Hardware: Hex Bolt 1.25"
-	AK61-00157-0002	1	Crankshaft Assembly
-	OK61-02409-0000	1	Poly-V Crank Pulley

Crank Arm W/Roller Assembly



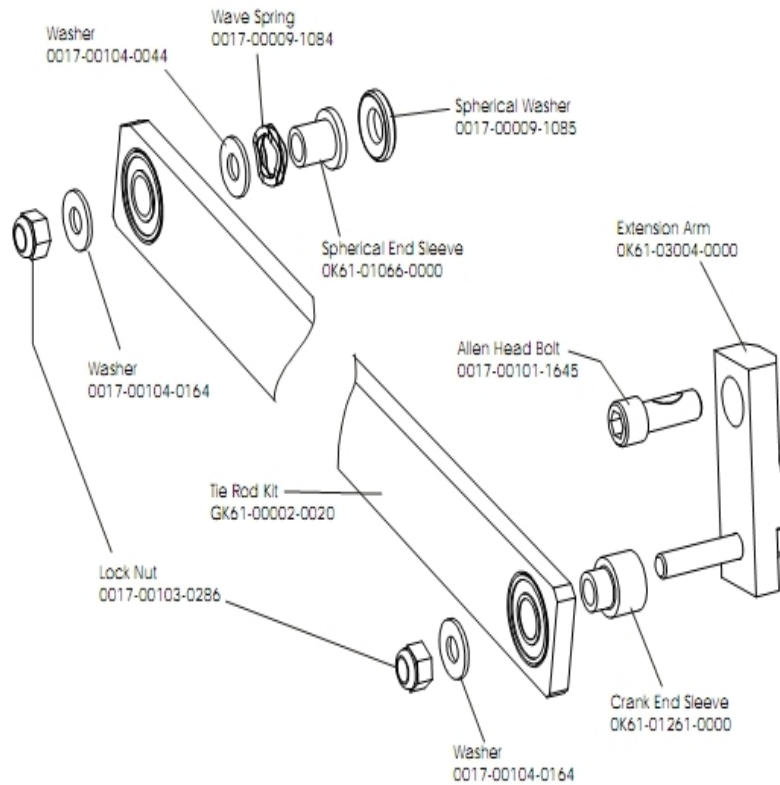
Ref #	Part Number	Qty	Description
-	OK61-03004-0000	1	Arm Extension
-	GK61-00002-0027	1	Roller Bearing Assembly
-	0017-00101-0333	1	Hardware: Screw 0.3125"
-	0017-00101-0314	2	Hardware: Screw 0.1875"
-	0017-00101-1606	1	Hardware: Hex Bolt 2.5"
-	GK61-00002-0030	1	Crank Arm with Collar Kit
-	OK61-01260-0000	1	Crank Arm Shaft Collar
-	0017-00103-0025	1	Hardware: Locking Nut 3/8" ID
-	OK53-01122-0000	1	Square Key
-	0017-00101-1645	1	Hardware: Bolt
-	OK61-03100-0000	1	Crank Cover

Drive Belts And Alternator



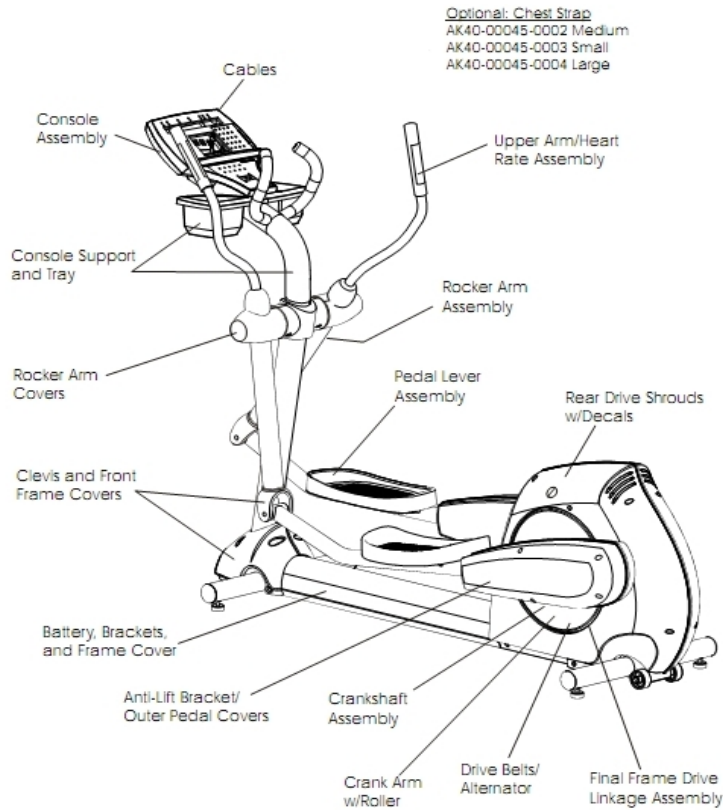
Ref #	Part Number	Qty	Description
-	OK53-01447-0000	1	Belt: Poly-V; 32"
-	0017-00101-0964	1	Hardware: Alternator Pivot Bolt 4.5"
-	GK61-00002-0056	1	KIT: CROSS TRAINER BELT AND PULLEY
-	0017-00101-0986	2	Hardware: Bolt 0.75"
-	0017-00103-0117	1	Hardware: Locking Nut 1/2" ID
-	AK61-00250-0001	1	Alternator w/Flywheel
-	OK61-02601-0000	1	Alternator Strap with Insert
-	0017-00103-0188	1	Hardware: Flange Lock Nut 3/8" ID
-	0017-00101-1651	1	Hardware: Intermediate Pulley Bolt 5.5"
-	AK61-00135-0000	1	Power Control Cable Assembly
-	0017-00009-0895	1	Alternator Brush Kit
-	OK61-02400-0001	1	Intermediate Bracket
-	AK61-00061-0000	1	Intermediate Pulley Assembly
-	0017-00009-0841	1	Alternator
-	OK61-01027-0000	1	Flywheel: 6.75" D

Final Frame Drive Linkage Assembly



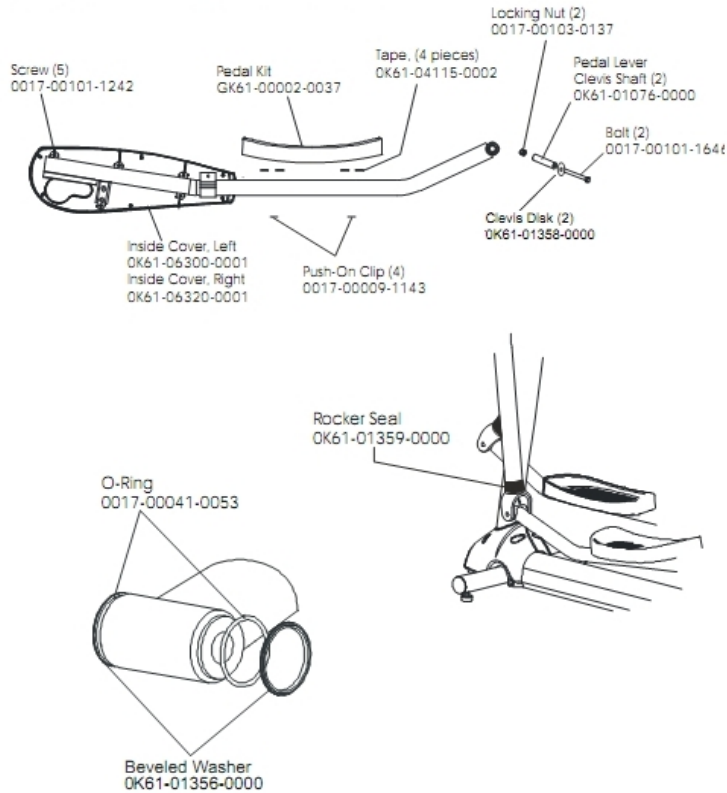
Ref #	Part Number	Qty	Description
-	0017-00103-0286	1	Hardware: Locking Nut
-	0017-00104-0164	2	Hardware: Washer 0.75" OD
-	GK61-00002-0020	1	Drive Linkage Assembly Kit
-	0K61-03004-0000	1	Arm Extension
-	0K61-01261-0000	1	Control Link Sleeve
-	0017-00009-1084	1	Wave Spring
-	0K61-01066-0000	1	Spherical End Sleeve
-	0017-00104-0044	1	Hardware: Washer 0.75" OD
-	0017-00101-1645	1	Hardware: Bolt
-	0017-00009-1085	1	Spherical Washer

General Assembly



Ref #	Part Number	Qty	Description
-	AK40-00045-0003	1	Chest Strap - Small
-	AK61-00050-0001	1	Hardware Kit
-	SK40-00045-0002	1	Chest Strap - Small
-	AK40-00045-0004	1	Chest Strap - Large

Pedal Lever Assembly

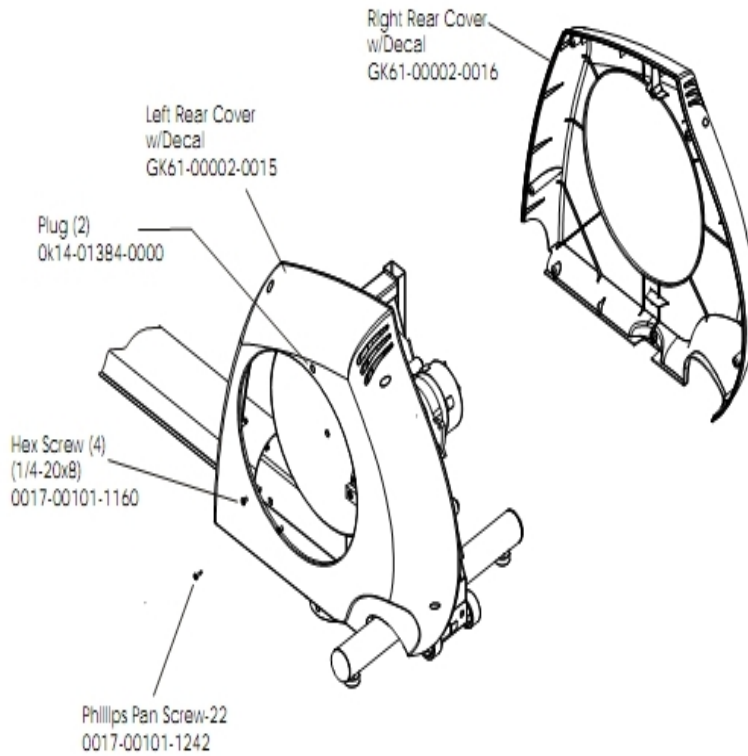


Ref #	Part Number	Qty	Description
-	OK61-01356-0000	1	Hardware: Beveled Washer
-	0017-00103-0137	2	Hardware: Locking Nut 3/8" ID
-	0017-00009-1143	4	Clip
-	0017-00101-1242	5	Hardware: Phillips Pan Screw 0.75"
-	0017-00041-0053	1	Viton O-ring
-	GK61-00002-0005	1	Left Pedal Assembly
-	GK61-00002-0037	1	Pedal Kit
-	OK61-06300-0001	1	Inside Cover Left
-	OK61-01076-0000	2	Pedal Lever Clevis Shaft
-	GK61-00002-0006	1	Right Pedal Assembly
-	0017-00101-1646	2	Hardware: Bolt 4.25"
-	OK61-04115-0002	1	Adhesive Tape
-	OK61-06320-0001	1	Inside Cover Right
-	OK61-01359-0000	1	Rocker Seal

Power Cb Bracket Assembly

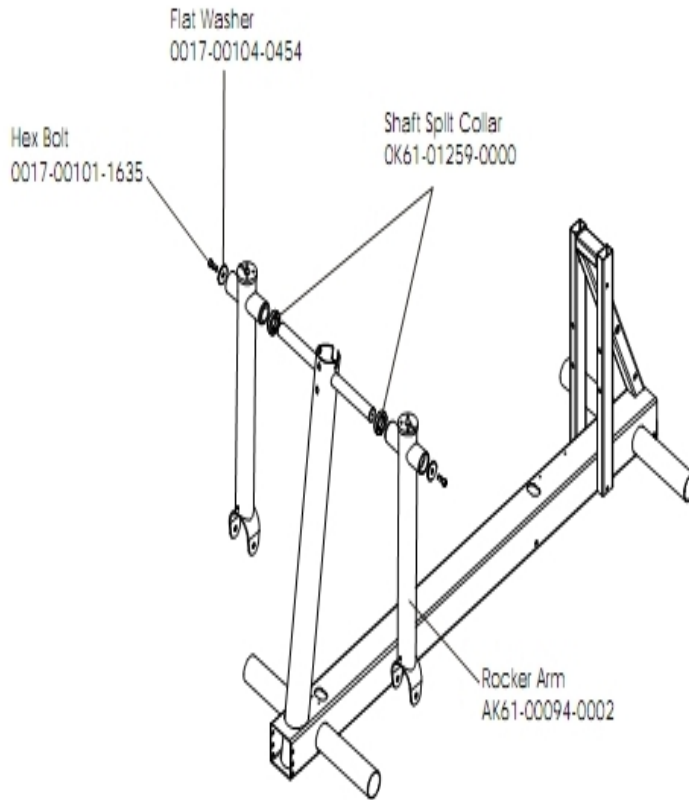
Ref #	Part Number	Qty	Description
-	AK61-00145-0001	1	PCB Assembly
-	0017-00042-0622	2	Cable Tie
-	0017-00103-0093	2	Hardware: Nut
-	0017-00101-1035	2	Hardware: Phillips Screw
-	0017-00101-0823	4	Hardware: Screw 0.75"
-	0K61-01330-0003	1	Bracket
-	B084-92218-0000	1	PCB Circuit Board
-	118E-00001-0140	1	Reed Switch SPDT
-	0017-00042-0821	4	Hardware: Plastic Grommet

Rear Drive Shrouds With Decals



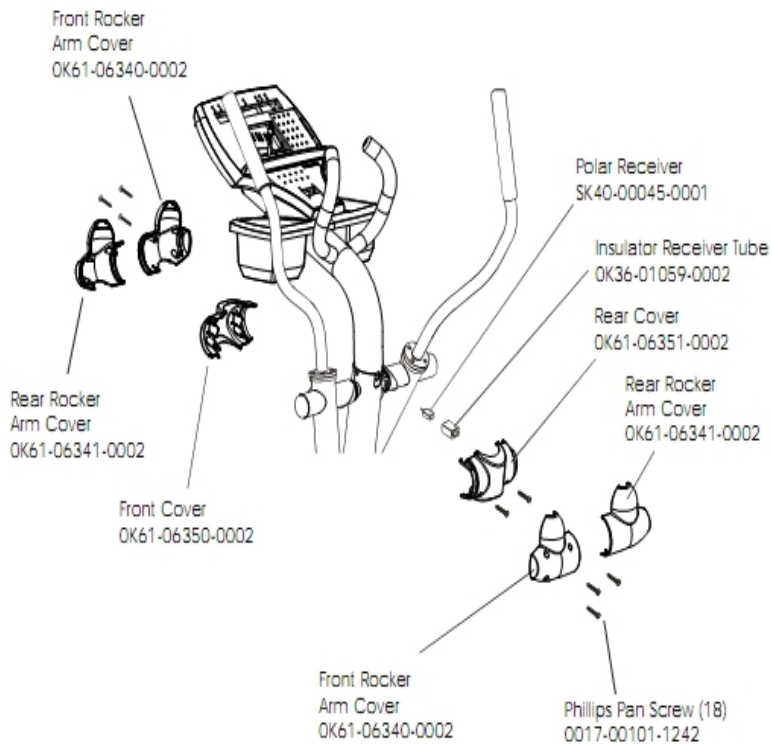
Ref #	Part Number	Qty	Description
-	GK61-00002-0016	1	Right Rear Cover with Decal
-	GK61-00002-0015	1	Left Rear Cover with Decal
-	0017-00101-1242	2	Hardware: Phillips Pan Screw 0.75"
-	OK14-01384-0000	2	Plug
-	0017-00101-1160	4	Hardware: Hex Screw

Rocker Arm Assembly



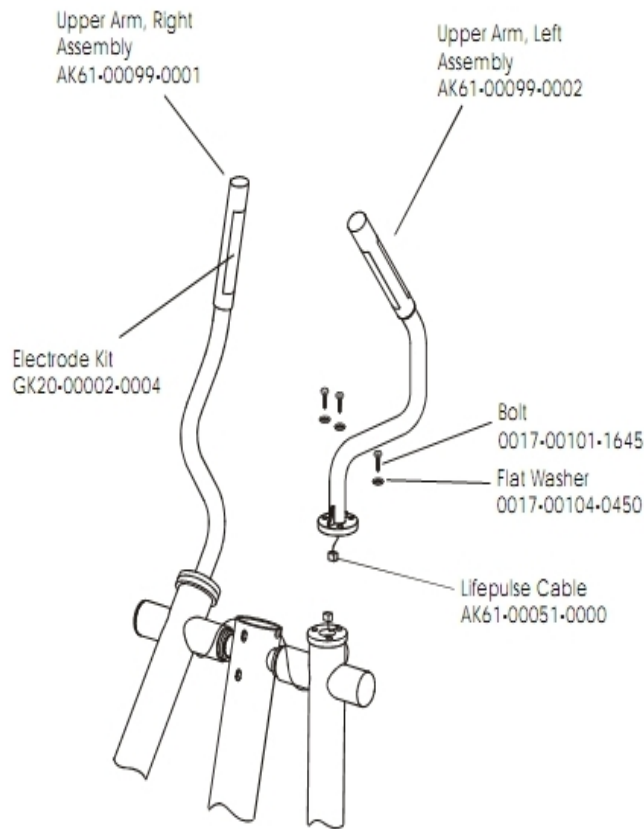
Ref #	Part Number	Qty	Description
-	0017-00101-1635	1	Hardware: Hex Bolt 1"
-	AK61-00094-0002	1	Rocker Arm
-	0017-00104-0454	1	Hardware: Flat Washer 1.62" OD
-	0K61-01259-0000	1	Shaft Split Collar

Rocker Arm Covers



Ref #	Part Number	Qty	Description
-	OK36-01059-0002	1	Insulator Receiver Tube
-	OK61-06350-0002	1	Front Cover
-	SK40-00045-0001	1	Polar HR Kit
-	0017-00101-1242	18	Hardware: Phillips Pan Screw 0.75"
-	OK61-06340-0002	2	Front Boot Cover
-	OK61-06351-0002	1	Rear Cover
-	OK61-06341-0002	2	Rear Boot Cover

Upper Arm / Heart Rate Assembly



Ref #	Part Number	Qty	Description
-	GK20-00002-0004	1	Heart Rate Electrode Kit
-	AK61-00099-0001	1	Upper Arm Assembly: Right
-	0017-00101-1645	1	Hardware: Bolt
-	AK61-00051-0000	1	Bullhorn HR cables
-	AK61-00099-0002	1	Upper Arm Assembly: Left
-	0017-00104-0450	1	Hardware: Flat Washer 0.67" OD

