

CT 950HRR Cross-Trainer - Total Body System

CT95-0104-17

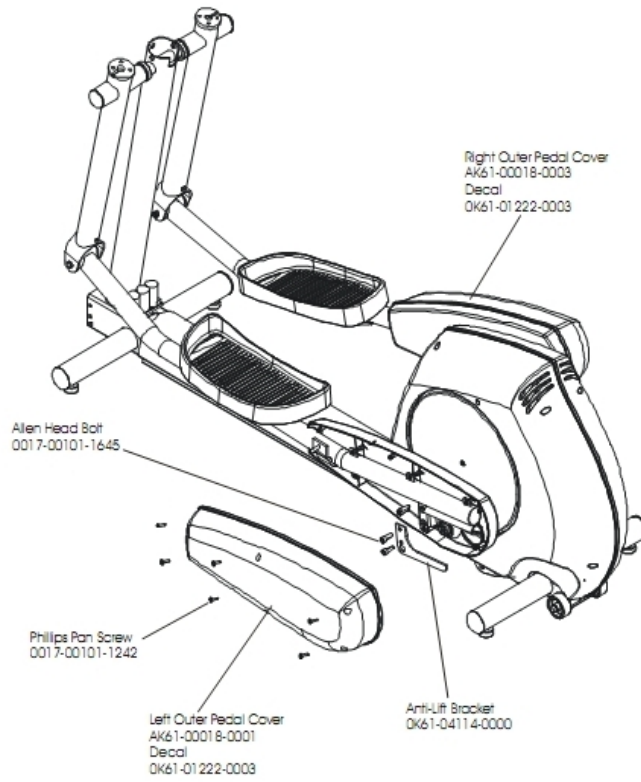
Parts Manual

1/5/2019 13:28:05 PM

Table of Contents

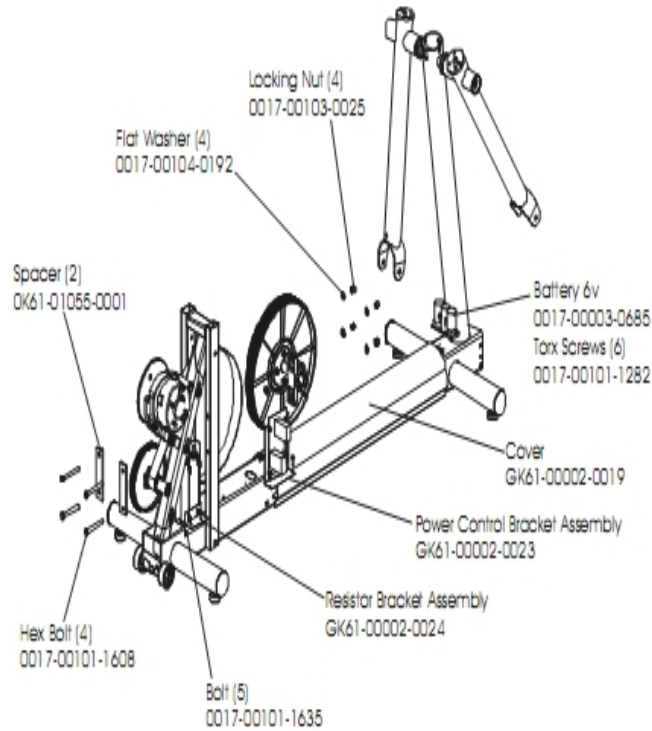
| | |
|--|--------------------|
| Anti-Lift Bracket, Outer Pedal Covers..... | 3 |
| Battery, Brackets, And Frame Cover..... | 4 |
| Clevis And Front Frame Covers..... | 5 |
| Console Assembly..... | 6 |
| Console Support Assembly..... | 7 |
| Crankshaft Assembly..... | 8 |
| Crank Arm W/Roller Assembly..... | 9 |
| Drive Belts And Alternator..... | 10 |
| Final Frame Drive Linkage Assembly..... | 11 |
| General Assembly..... | 12 |
| Pedal Lever Assembly..... | 13 |
| Rear Drive Shrouds W/Decals..... | 14 |
| Rocker Arm Assembly..... | 15 |
| Rocker Arm Covers..... | 16 |
| Upper Arm/Heart Rate Assembly..... | 17 |

Anti-Lift Bracket, Outer Pedal Covers



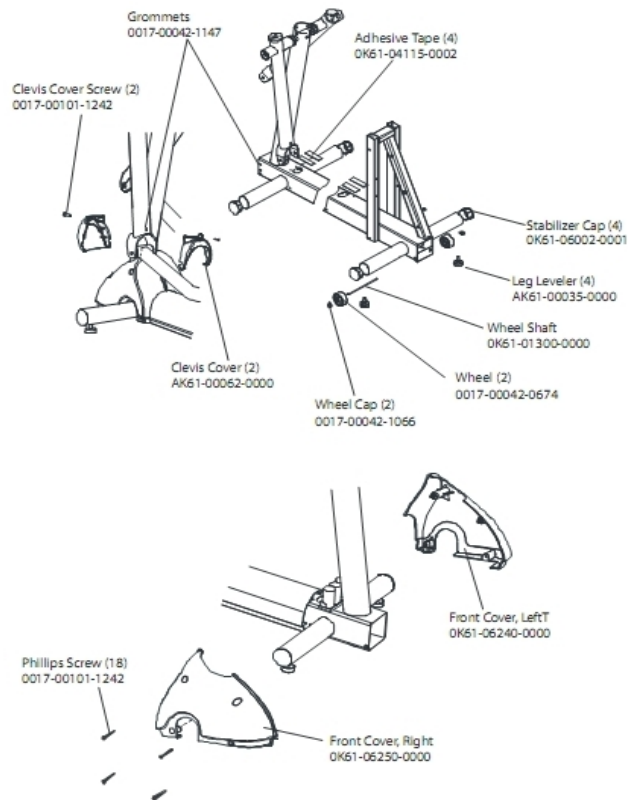
| Ref # | Part Number | Qty | Description |
|-------|-----------------|-----|------------------------------------|
| - | AK61-00018-0001 | 1 | Outer Pedal Cover: Left |
| - | AK61-00018-0003 | 1 | Outer Pedal Cover: Right |
| - | 0017-00101-1645 | 6 | Hardware: Bolt |
| - | OK61-04114-0000 | 1 | Roller Retainer Plate |
| - | 0017-00101-1242 | 6 | Hardware: Phillips Pan Screw 0.75" |
| - | OK61-01222-0003 | 2 | Decal |

Battery, Brackets, And Frame Cover



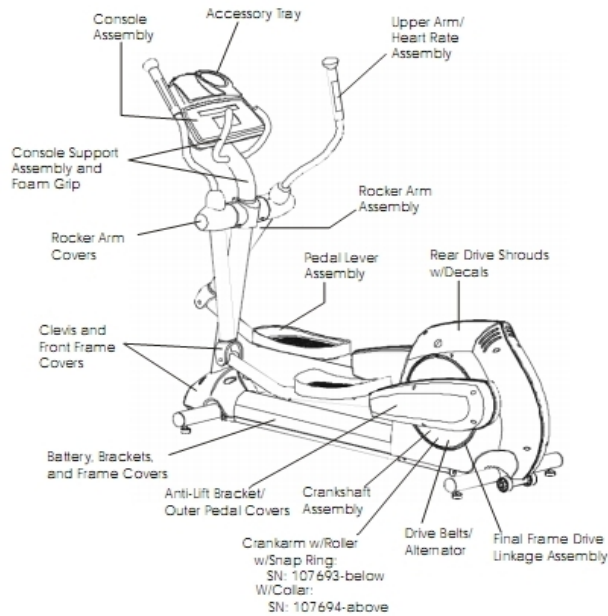
| Ref # | Part Number | Qty | Description |
|-------|-----------------|-----|---------------------------------|
| - | 0017-00003-0685 | 1 | 6V Battery |
| - | 0017-00101-1608 | 4 | Hardware: Hex Bolt |
| - | 0017-00104-0192 | 4 | Hardware: Flat Washer 0.813" OD |
| - | GK61-00002-0044 | 1 | Resistor Bracket Assembly |
| - | 0017-00103-0025 | 4 | Hardware: Locking Nut 3/8" ID |
| - | GK61-00002-0023 | 1 | Power Control Bracket Assembly |
| - | 0017-00101-1282 | 6 | Hardware: TORX Screw 0.375" |
| - | OK61-01055-0001 | 2 | Spacer |
| - | 0017-00101-1635 | 5 | Hardware: Hex Bolt 1" |
| - | GK61-00002-0019 | 1 | Cover |

Clevis And Front Frame Covers



| Ref # | Part Number | Qty | Description |
|-------|-----------------|-----|------------------------------------|
| - | 0K61-06002-0001 | 4 | Stabilizer Cap |
| - | 0K61-06240-0000 | 1 | Front Cover Left |
| - | 0017-00042-0674 | 2 | Wheel |
| - | 0K61-04115-0002 | 4 | Adhesive Tape |
| - | 0017-00042-0754 | 8 | Hardware: Grommet |
| - | AK61-00035-0000 | 4 | Leg Leveler |
| - | 0K61-01300-0000 | 1 | Wheel Shaft |
| - | 0017-00101-1242 | 20 | Hardware: Phillips Pan Screw 0.75" |
| - | 0017-00042-1066 | 2 | Push-on cap |
| - | AK61-00062-0000 | 2 | Clevis Cover |
| - | 0K61-06250-0000 | 1 | Front Cover Right |

Console Assembly

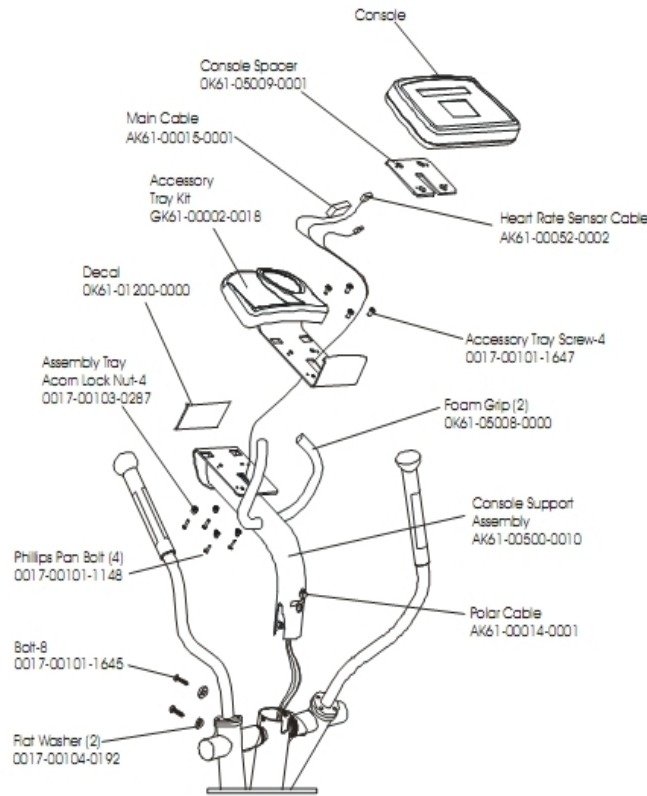


| | | |
|------------------------|--------|-----------------|
| Chest Strap (optional) | Small | SK40-00045-0002 |
| | Medium | SK40-00045-0003 |
| | Large | SK40-00045-0004 |

REV 11 JUL 2008

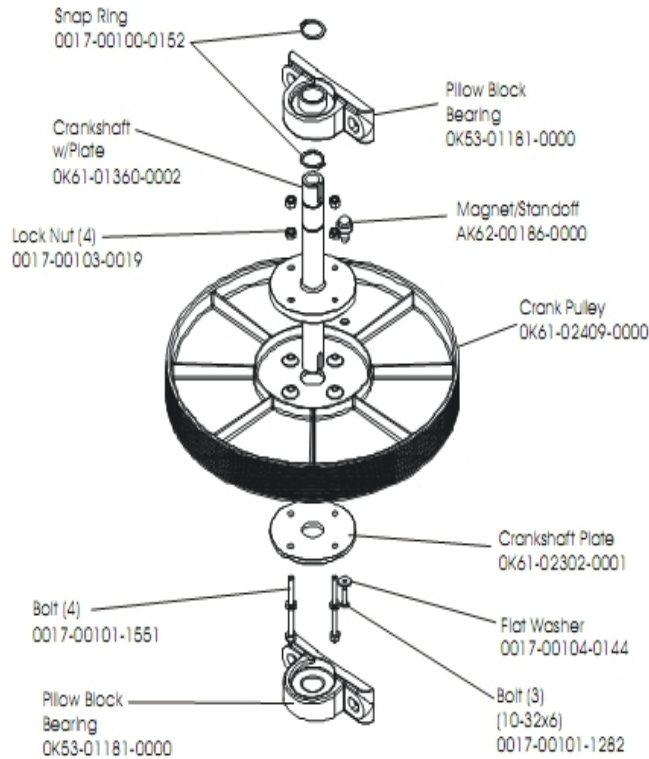
| Ref # | Part Number | Qty | Description |
|-------|-----------------|-----|-------------------------------|
| - | 0K36-01035-0006 | 1 | Battery Cover |
| - | 0K36-01187-0008 | 1 | Console Case (Black) |
| - | 0017-00101-1250 | 1 | Hardware: Screw |
| - | 0017-00101-0823 | 1 | Hardware: Screw 0.75" |
| - | AK61-00076-0001 | 1 | Overlay/Bezel: English/Metric |
| - | AK61-00075-0001 | 1 | Console: English/Metric |

Console Support Assembly



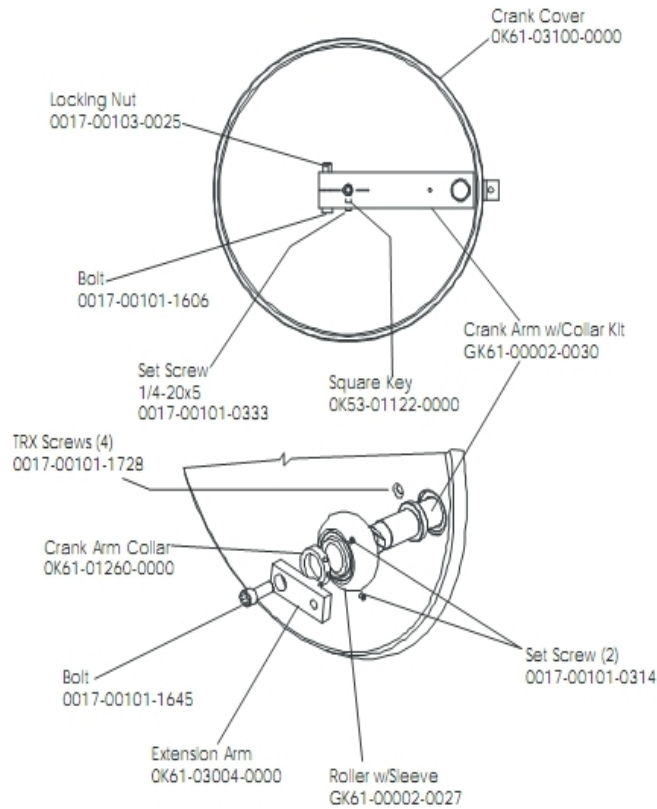
| Ref # | Part Number | Qty | Description |
|-------|-----------------|-----|-----------------------------------|
| - | 0017-00101-1647 | 4 | Hardware: Accessory Tray Screw |
| - | OK61-05009-0001 | 1 | Console Spacer |
| - | AK61-00015-0001 | 1 | Main Cable |
| - | 0017-00104-0192 | 2 | Hardware: Flat Washer 0.813" OD |
| - | OK61-01200-0000 | 1 | Decal |
| - | GK61-00002-0018 | 1 | Accessory Tray Kit |
| - | 0017-00101-1148 | 4 | Hardware: Phillips Pan Bolt 0.75" |
| - | AK61-00500-0010 | 1 | Console Support Assembly |
| - | OK61-05008-0000 | 2 | Foam Grip |
| - | 0017-00101-1645 | 8 | Hardware: Bolt |
| - | AK61-00052-0002 | 1 | Lifepulse Sensor Cable |
| - | AK61-00014-0001 | 1 | Polar Cable |
| - | 0017-00103-0287 | 4 | Hardware: Nut |

Crankshaft Assembly



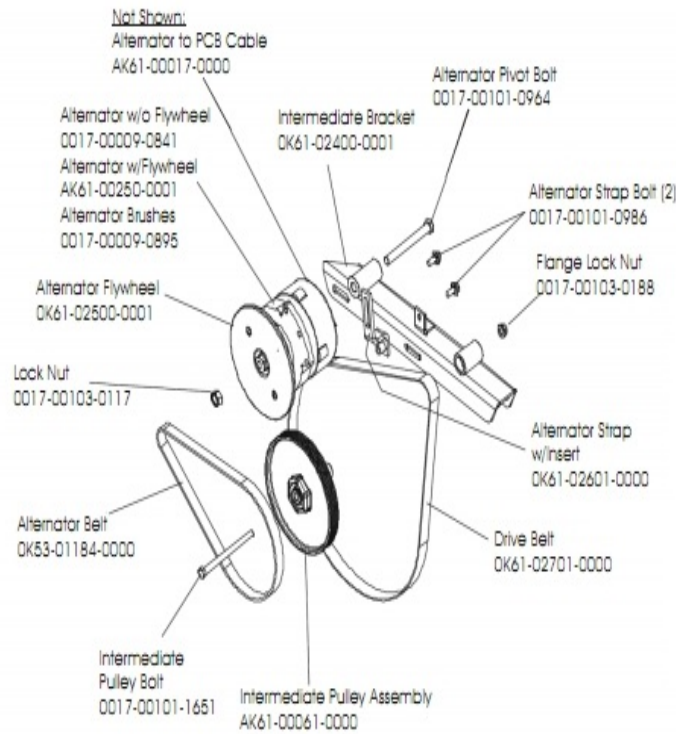
| Ref # | Part Number | Qty | Description |
|-------|-----------------|-----|--------------------------------|
| - | OK53-01181-0000 | 2 | Hardware: Pillow Block Bearing |
| - | OK61-02409-0000 | 1 | Poly-V Crank Pulley |
| - | 0017-00103-0019 | 4 | Hardware: Locking Nut 1/4" ID |
| - | 0017-00104-0144 | 1 | Hardware: Washer 0.625" OD |
| - | OK61-01360-0002 | 1 | Crankshaft w/plate |
| - | 0017-00101-1282 | 3 | Hardware: TORX Screw 0.375" |
| - | 0017-00101-1551 | 4 | Hardware: Hex Bolt 1.25" |
| - | 0017-00100-0152 | 1 | Hardware: Retaining Ring 1" |
| - | AK61-00157-0002 | 1 | Crankshaft Assembly |
| - | OK61-02302-0001 | 1 | Crankshaft Plate |
| - | AK62-00186-0000 | 1 | Magnet-Standoff Assembly |

Crank Arm W/Roller Assembly



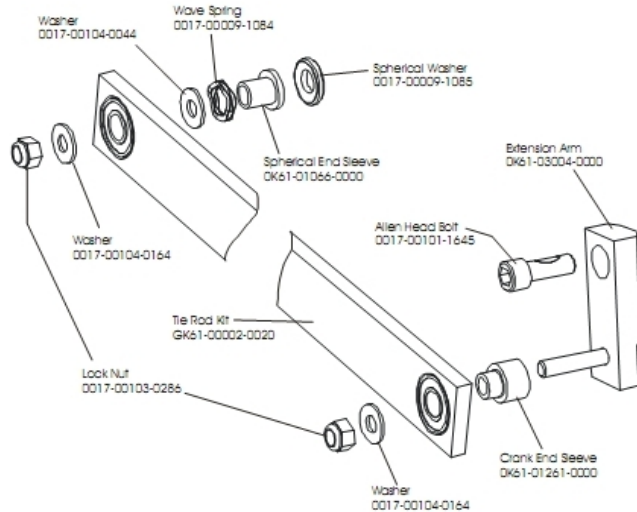
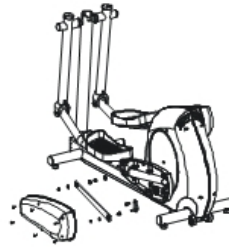
| Ref # | Part Number | Qty | Description |
|-------|-----------------|-----|-------------------------------|
| - | 0017-00101-0314 | 4 | Hardware: Screw 0.1875" |
| - | 0017-00101-1844 | 8 | Hardware: Screw |
| - | GK61-00002-0030 | 2 | Crank Arm with Collar Kit |
| - | 0017-00101-1606 | 2 | Hardware: Hex Bolt 2.5" |
| - | OK53-01122-0000 | 2 | Square Key |
| - | 0017-00101-1645 | 2 | Hardware: Bolt |
| - | 0017-00103-0025 | 2 | Hardware: Locking Nut 3/8" ID |
| - | 0017-00101-0333 | 2 | Hardware: Screw 0.3125" |
| - | OK61-03100-0000 | 2 | Crank Cover |
| - | OK61-01260-0000 | 2 | Crank Arm Shaft Collar |
| - | GK61-00002-0027 | 2 | Roller Bearing Assembly |
| - | OK61-03004-0000 | 2 | Arm Extension |

Drive Belts And Alternator



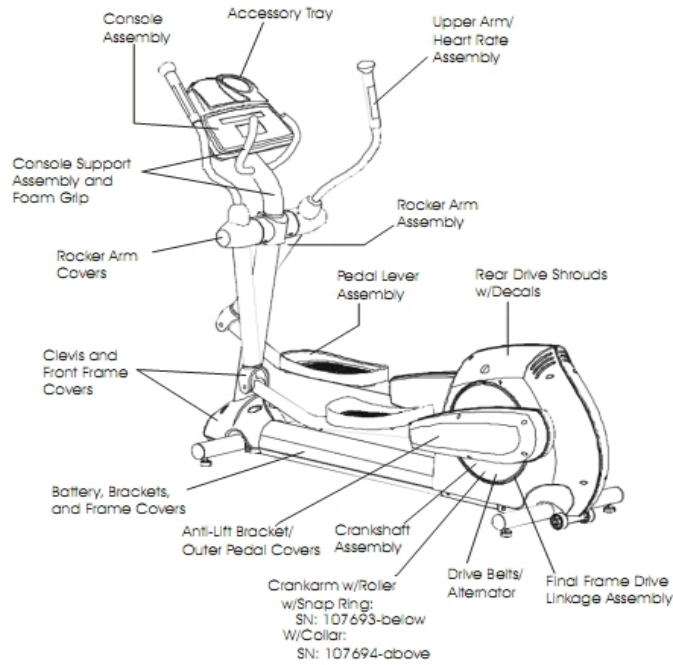
| Ref # | Part Number | Qty | Description |
|-------|-----------------|-----|---|
| - | 0017-00101-0986 | 2 | Hardware: Bolt 0.75" |
| - | AK61-00061-0000 | 1 | Intermediate Pulley Assembly |
| - | OK53-01447-0000 | 1 | Belt: Poly-V; 32" |
| - | OK61-01027-0000 | 1 | Flywheel: 6.75" D |
| - | GK61-00002-0056 | 1 | KIT: CROSS TRAINER BELT AND PULLEY |
| - | AK61-00250-0001 | 1 | Alternator w/Flywheel |
| - | OK61-02601-0000 | 1 | Alternator Strap with Insert |
| - | AK61-00017-0000 | 1 | Alternator to PCB Cable |
| - | 0017-00103-0188 | 1 | Hardware: Flange Lock Nut 3/8" ID |
| - | 0017-00101-1651 | 1 | Hardware: Intermediate Pulley Bolt 5.5" |
| - | 0017-00009-0841 | 1 | Alternator |
| - | 0017-00101-0964 | 1 | Hardware: Alternator Pivot Bolt 4.5" |
| - | 0017-00009-0895 | 1 | Alternator Brush Kit |
| - | OK61-02400-0001 | 1 | Intermediate Bracket |
| - | 0017-00103-0117 | 1 | Hardware: Locking Nut 1/2" ID |

Final Frame Drive Linkage Assembly



| Ref # | Part Number | Qty | Description |
|-------|-----------------|-----|----------------------------|
| - | 0017-00103-0286 | 2 | Hardware: Locking Nut |
| - | 0017-00104-0164 | 2 | Hardware: Washer 0.75" OD |
| - | GK61-00002-0020 | 1 | Drive Linkage Assembly Kit |
| - | 0K61-03004-0000 | 1 | Arm Extension |
| - | 0017-00009-1085 | 1 | Spherical Washer |
| - | 0017-00009-1084 | 1 | Wave Spring |
| - | 0K61-01066-0000 | 1 | Spherical End Sleeve |
| - | 0017-00101-1645 | 1 | Hardware: Bolt |
| - | 0K61-01261-0000 | 1 | Control Link Sleeve |
| - | 0017-00104-0044 | 1 | Hardware: Washer 0.75" OD |

General Assembly



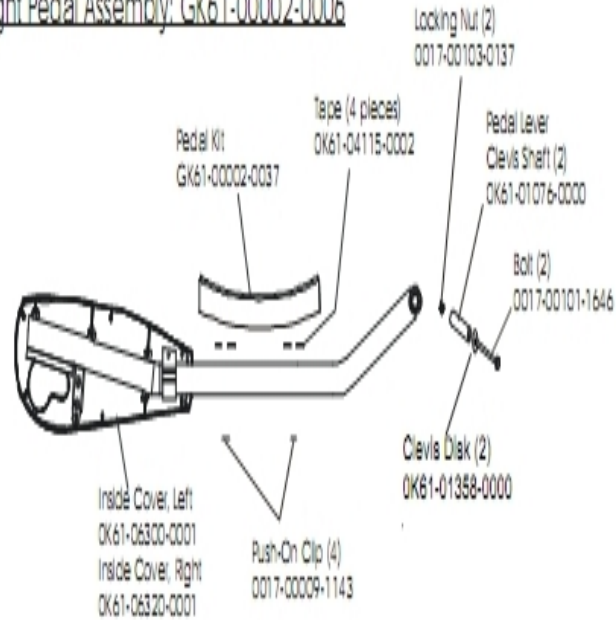
Optional: Chest Strap
 Small: SK40-00045-0002
 Medium: SK40-00045-0003
 Large: SK40-00045-0004

| Ref # | Part Number | Qty | Description |
|-------|-----------------|-----|----------------------|
| - | AK61-00050-0000 | 1 | Hardware Kit |
| - | SK40-00045-0004 | 1 | Chest Strap - Large |
| - | SK40-00045-0002 | 1 | Chest Strap - Small |
| - | SK40-00045-0003 | 1 | Chest Strap - Medium |

Pedal Lever Assembly

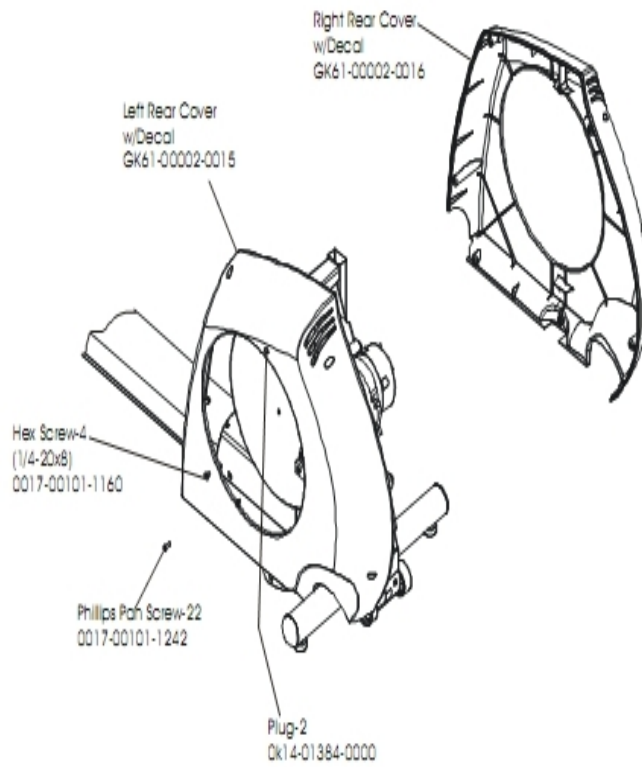
Left Pedal Assembly: GK61-00002-0005

Right Pedal Assembly: GK61-00002-0006



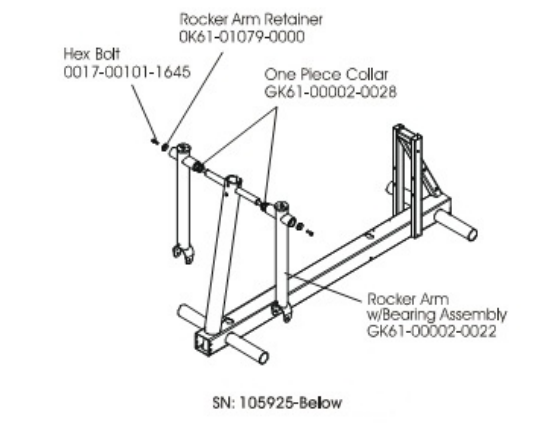
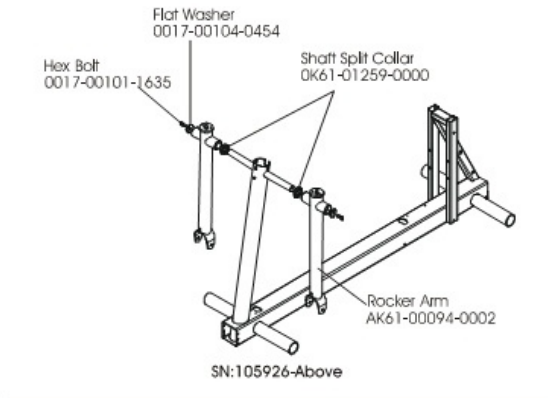
| Ref # | Part Number | Qty | Description |
|-------|-----------------|-----|-------------------------------|
| - | 0017-00009-1143 | 8 | Clip |
| - | 0017-00101-1646 | 4 | Hardware: Bolt 4.25" |
| - | GK61-00002-0005 | 1 | Left Pedal Assembly |
| - | OK61-06320-0001 | 1 | Inside Cover Right |
| - | 0017-00103-0137 | 4 | Hardware: Locking Nut 3/8" ID |
| - | OK61-01076-0000 | 4 | Pedal Lever Clevis Shaft |
| - | GK61-00002-0037 | 2 | Pedal Kit |
| - | GK61-00002-0006 | 1 | Right Pedal Assembly |
| - | OK61-04115-0002 | 2 | Adhesive Tape |
| - | OK61-06300-0001 | 1 | Inside Cover Left |

Rear Drive Shrouds W/Decals



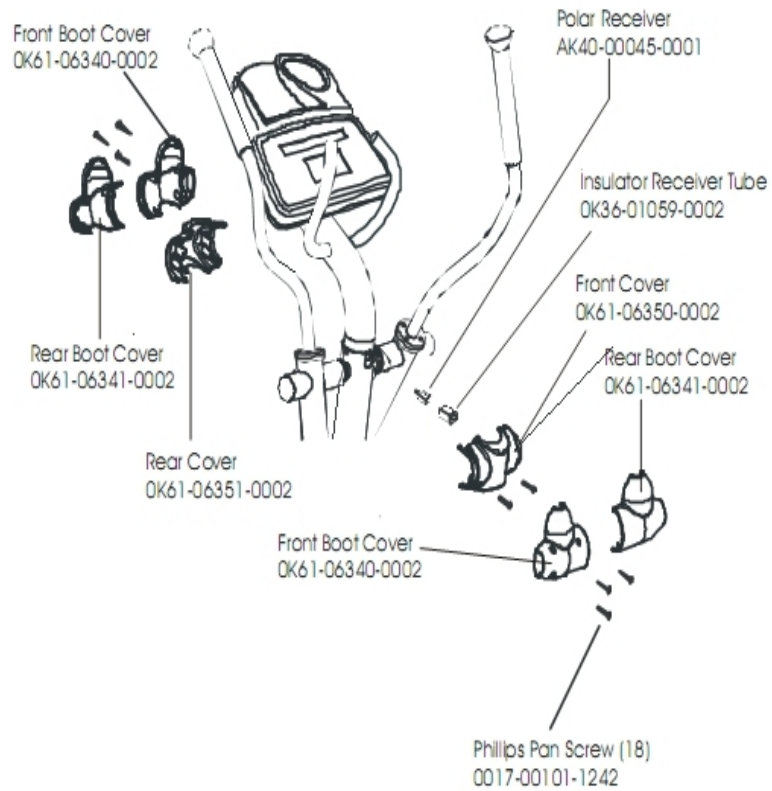
| Ref # | Part Number | Qty | Description |
|-------|-----------------|-----|------------------------------------|
| - | GK61-00002-0016 | 1 | Right Rear Cover with Decal |
| - | OK14-01384-0000 | 2 | Plug |
| - | 0017-00101-1242 | 22 | Hardware: Phillips Pan Screw 0.75" |
| - | GK61-00002-0015 | 1 | Left Rear Cover with Decal |
| - | 0017-00101-1160 | 4 | Hardware: Hex Screw |

Rocker Arm Assembly



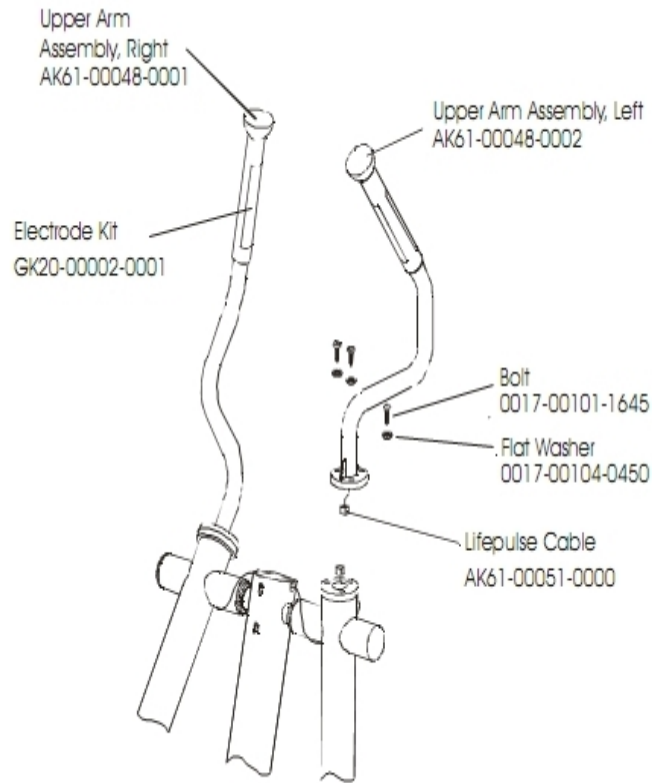
| Ref # | Part Number | Qty | Description |
|-------|-----------------|-----|----------------------------------|
| - | OK61-01259-0000 | 2 | Shaft Split Collar |
| - | GK61-00002-0028 | 2 | Rocker Arm Collar |
| - | 0017-00104-0454 | 2 | Hardware: Flat Washer 1.62" OD |
| - | GK61-00002-0022 | 2 | Rocker Arm with Bearing Assembly |
| - | 0017-00101-1645 | 2 | Hardware: Bolt |
| - | 0017-00101-1635 | 2 | Hardware: Hex Bolt 1" |
| - | AK61-00094-0002 | 2 | Rocker Arm |
| - | OK61-01079-0000 | 2 | Rocker Arm Retainer |

Rocker Arm Covers



| Ref # | Part Number | Qty | Description |
|-------|-----------------|-----|------------------------------------|
| - | OK36-01059-0002 | 1 | Insulator Receiver Tube |
| - | OK61-06340-0002 | 2 | Front Boot Cover |
| - | 0017-00101-1242 | 18 | Hardware: Phillips Pan Screw 0.75" |
| - | OK61-06350-0002 | 1 | Front Cover |
| - | SK40-00045-0001 | 1 | Polar HR Kit |
| - | OK61-06341-0002 | 2 | Rear Boot Cover |
| - | OK61-06351-0002 | 1 | Rear Cover |

Upper Arm/Heart Rate Assembly



| Ref # | Part Number | Qty | Description |
|-------|-----------------|-----|--------------------------------|
| - | 0017-00101-1645 | 3 | Hardware: Bolt |
| - | GK20-00002-0001 | 2 | Heart Rate Electrode Kit |
| - | AK61-00051-0000 | 1 | Bullhorn HR cables |
| - | 0017-00104-0450 | 1 | Hardware: Flat Washer 0.67" OD |
| - | AK61-00048-0002 | 1 | Upper Arm Assembly: Left |
| - | AK61-00048-0001 | 1 | Upper Arm Assembly: Right |

