

CT 9500HRR Cross-Trainer

CT95-0150-17

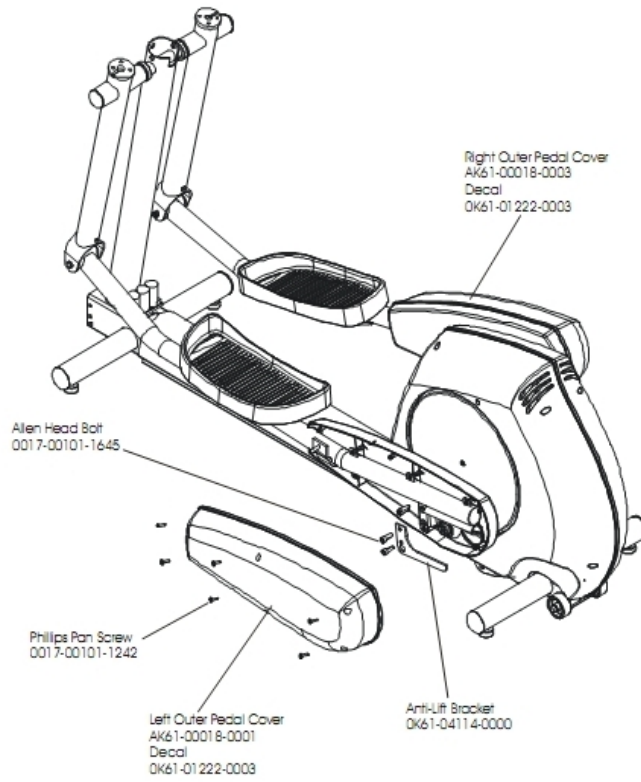
Parts Manual

1/5/2019 13:28:10 PM

Table of Contents

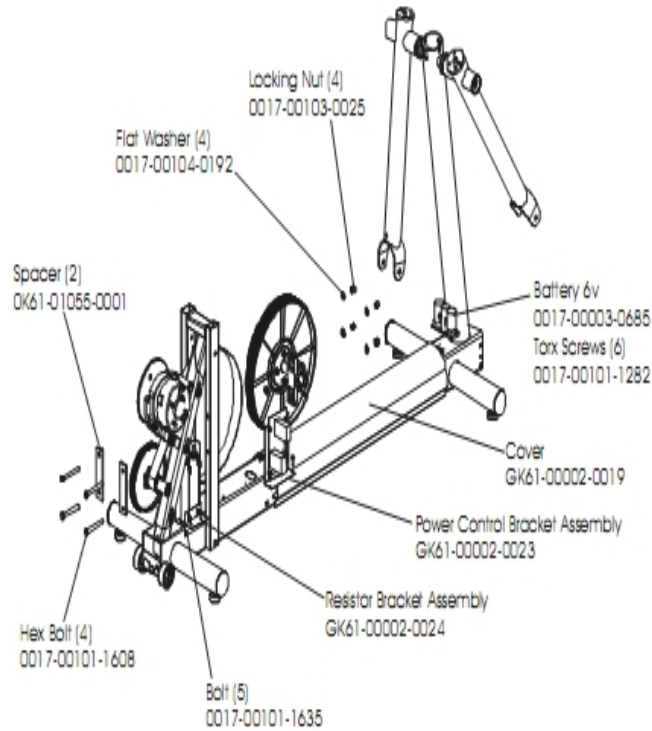
[Anti-Lift Bracket, Outer Pedal Covers.....](#)3
[Battery, Brackets, And Frame Cover.....](#)4
[Clevis And Front Frame Covers.....](#)5
[Console Assembly.....](#)6
[Console Support Assembly.....](#)7
[Crankshaft Assembly.....](#)8
[Crank Arm W/Roller Assembly.....](#)9
[Drive Belts And Alternator.....](#)10
[Final Frame Drive Linkage Assembly.....](#)11
[General Assembly.....](#)12
[Pedal Lever Assembly.....](#)13
[Rear Drive Shrouds W/Decals.....](#)14
[Rocker Arm Assembly.....](#)15
[Rocker Arm Covers.....](#)16
[Upper Arm/Heart Rate Assembly.....](#)17

Anti-Lift Bracket, Outer Pedal Covers



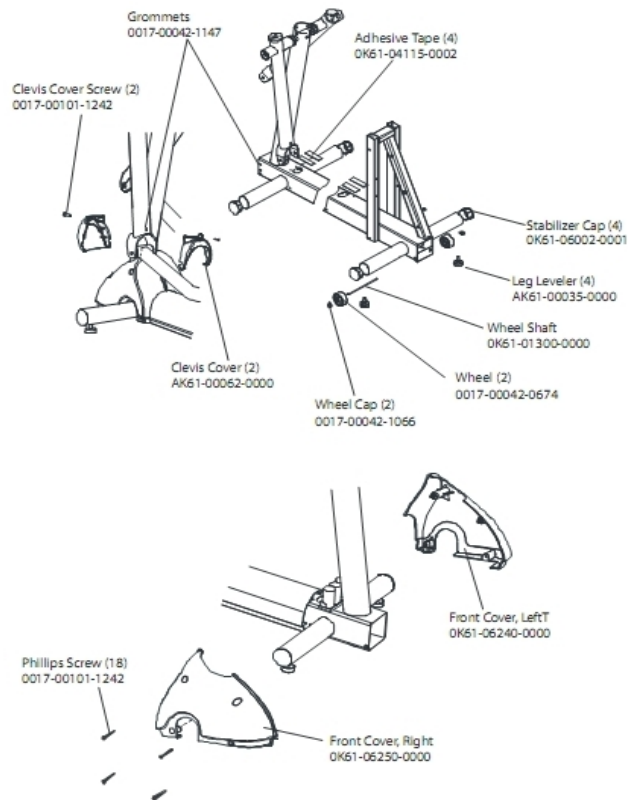
Ref #	Part Number	Qty	Description
-	AK61-00018-0001	1	Outer Pedal Cover: Left
-	AK61-00018-0003	1	Outer Pedal Cover: Right
-	0017-00101-1645	6	Hardware: Bolt
-	OK61-04114-0000	1	Roller Retainer Plate
-	0017-00101-1242	6	Hardware: Phillips Pan Screw 0.75"
-	OK61-01222-0003	2	Decal

Battery, Brackets, And Frame Cover



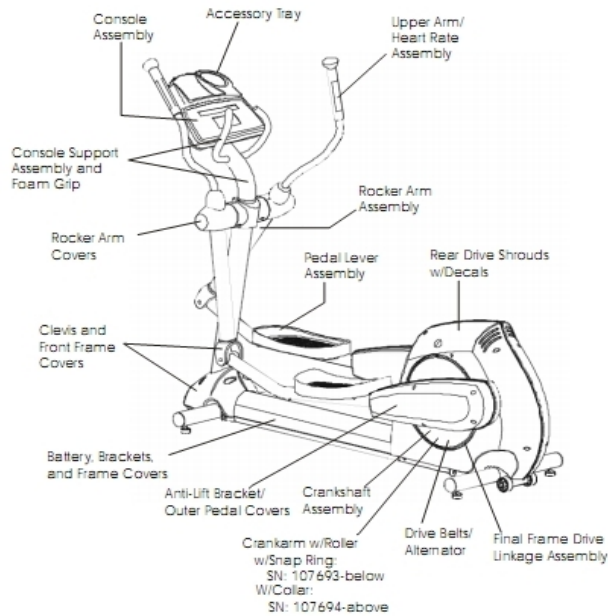
Ref #	Part Number	Qty	Description
-	0017-00003-0685	1	6V Battery
-	0017-00101-1608	4	Hardware: Hex Bolt
-	0017-00104-0192	4	Hardware: Flat Washer 0.813" OD
-	GK61-00002-0044	1	Resistor Bracket Assembly
-	0017-00103-0025	4	Hardware: Locking Nut 3/8" ID
-	GK61-00002-0023	1	Power Control Bracket Assembly
-	0017-00101-1282	6	Hardware: TORX Screw 0.375"
-	0K61-01055-0001	2	Spacer
-	0017-00101-1635	5	Hardware: Hex Bolt 1"
-	GK61-00002-0019	1	Cover

Clevis And Front Frame Covers



Ref #	Part Number	Qty	Description
-	0K61-06002-0001	4	Stabilizer Cap
-	0K61-06240-0000	1	Front Cover Left
-	0017-00042-0674	2	Wheel
-	0K61-04115-0002	4	Adhesive Tape
-	0017-00042-0754	8	Hardware: Grommet
-	AK61-00035-0000	4	Leg Leveler
-	0K61-01300-0000	1	Wheel Shaft
-	0017-00101-1242	20	Hardware: Phillips Pan Screw 0.75"
-	0017-00042-1066	2	Push-on cap
-	AK61-00062-0000	2	Clevis Cover
-	0K61-06250-0000	1	Front Cover Right

Console Assembly

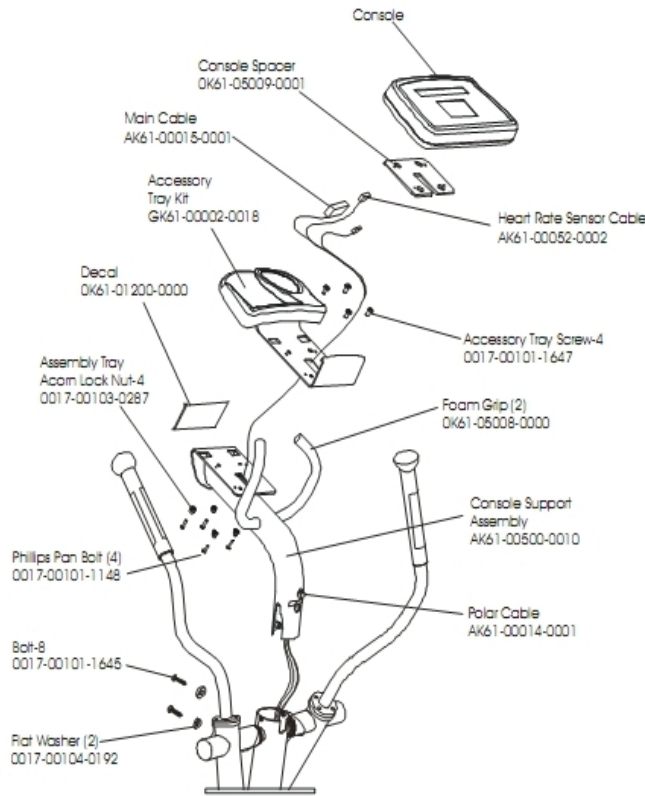


Chest Strap (optional)	Small	SK40-00045-0002
	Medium	SK40-00045-0003
	Large	SK40-00045-0004

REV 11 JUL 2008

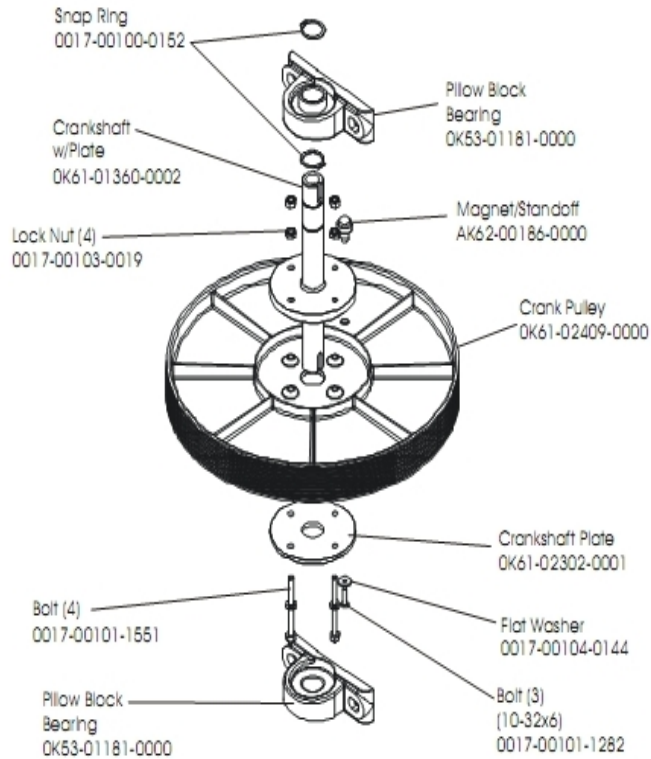
Ref #	Part Number	Qty	Description
-	0K36-01035-0006	1	Battery Cover
-	0K36-01187-0008	1	Console Case (Black)
-	0017-00101-1250	1	Hardware: Screw
-	0017-00101-0823	1	Hardware: Screw 0.75"
-	AK61-00076-0001	1	Overlay/Bezel: English/Metric
-	AK61-00075-0001	1	Console: English/Metric

Console Support Assembly



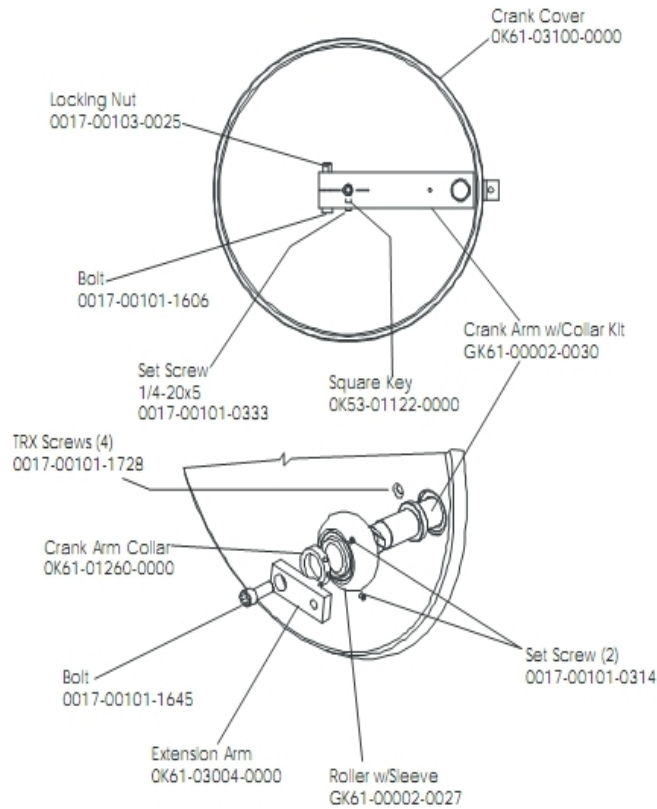
Ref #	Part Number	Qty	Description
-	0017-00101-1647	4	Hardware: Accessory Tray Screw
-	OK61-05009-0001	1	Console Spacer
-	AK61-00015-0001	1	Main Cable
-	0017-00104-0192	2	Hardware: Flat Washer 0.813" OD
-	GK61-00002-0018	1	Accessory Tray Kit
-	OK61-01200-0000	1	Decal
-	AK61-00500-0010	1	Console Support Assembly
-	0017-00101-1148	4	Hardware: Phillips Pan Bolt 0.75"
-	OK61-05008-0000	2	Foam Grip
-	0017-00101-1645	8	Hardware: Bolt
-	AK61-00052-0002	1	Lifepulse Sensor Cable
-	AK61-00014-0001	1	Polar Cable
-	0017-00103-0287	4	Hardware: Nut

Crankshaft Assembly



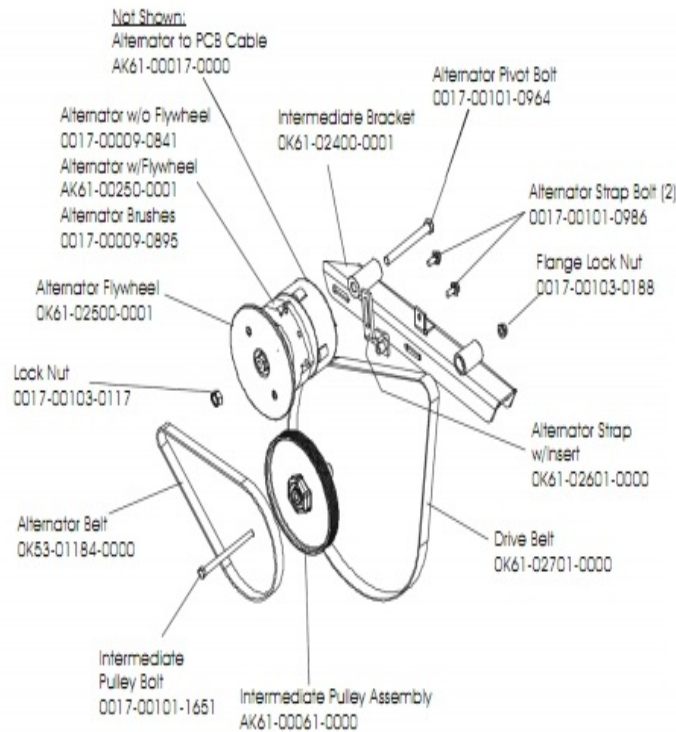
Ref #	Part Number	Qty	Description
-	OK53-01181-0000	2	Hardware: Pillow Block Bearing
-	OK61-02409-0000	1	Poly-V Crank Pulley
-	0017-00103-0019	4	Hardware: Locking Nut 1/4" ID
-	0017-00104-0144	1	Hardware: Washer 0.625" OD
-	OK61-01360-0002	1	Crankshaft w/plate
-	0017-00101-1282	3	Hardware: TORX Screw 0.375"
-	0017-00101-1551	4	Hardware: Hex Bolt 1.25"
-	0017-00100-0152	1	Hardware: Retaining Ring 1"
-	AK61-00157-0002	1	Crankshaft Assembly
-	OK61-02302-0001	1	Crankshaft Plate
-	AK62-00186-0000	1	Magnet-Standoff Assembly

Crank Arm W/Roller Assembly



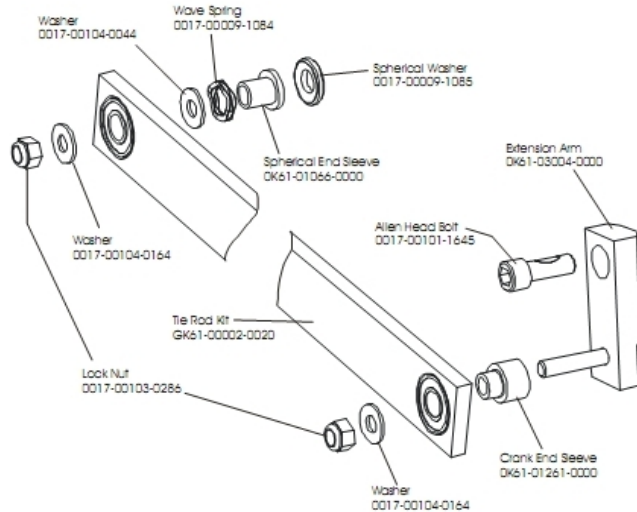
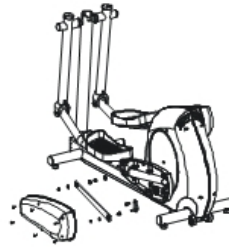
Ref #	Part Number	Qty	Description
-	0017-00101-0314	4	Hardware: Screw 0.1875"
-	0017-00101-1844	8	Hardware: Screw
-	GK61-00002-0030	2	Crank Arm with Collar Kit
-	0017-00101-1606	2	Hardware: Hex Bolt 2.5"
-	OK53-01122-0000	2	Square Key
-	0017-00101-1645	2	Hardware: Bolt
-	0017-00103-0025	2	Hardware: Locking Nut 3/8" ID
-	0017-00101-0333	2	Hardware: Screw 0.3125"
-	OK61-03100-0000	2	Crank Cover
-	OK61-01260-0000	2	Crank Arm Shaft Collar
-	GK61-00002-0027	2	Roller Bearing Assembly
-	OK61-03004-0000	2	Arm Extension

Drive Belts And Alternator



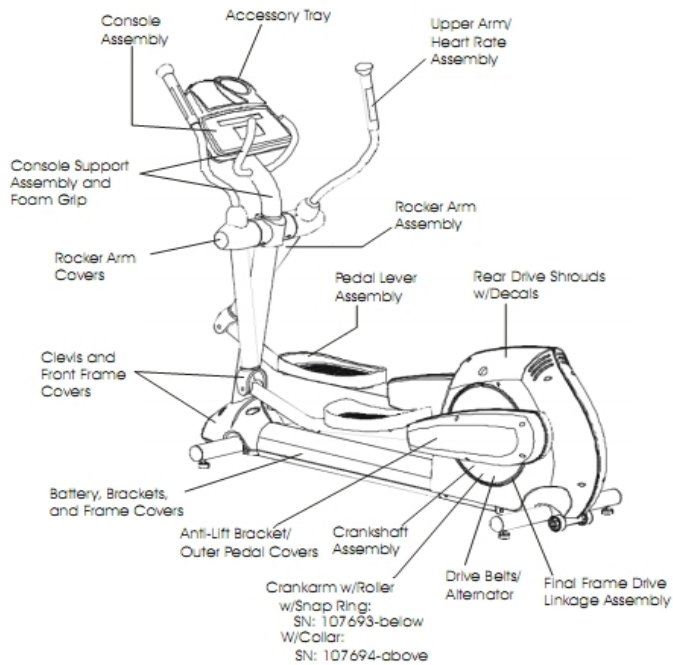
Ref #	Part Number	Qty	Description
-	0017-00101-0986	2	Hardware: Bolt 0.75"
-	AK61-00061-0000	1	Intermediate Pulley Assembly
-	OK53-01447-0000	1	Belt: Poly-V; 32"
-	OK61-01027-0000	1	Flywheel: 6.75" D
-	GK61-00002-0056	1	KIT: CROSS TRAINER BELT AND PULLEY
-	AK61-00250-0001	1	Alternator w/Flywheel
-	OK61-02601-0000	1	Alternator Strap with Insert
-	AK61-00017-0000	1	Alternator to PCB Cable
-	0017-00103-0188	1	Hardware: Flange Lock Nut 3/8" ID
-	0017-00101-1651	1	Hardware: Intermediate Pulley Bolt 5.5"
-	0017-00009-0841	1	Alternator
-	0017-00101-0964	1	Hardware: Alternator Pivot Bolt 4.5"
-	0017-00009-0895	1	Alternator Brush Kit
-	OK61-02400-0001	1	Intermediate Bracket
-	0017-00103-0117	1	Hardware: Locking Nut 1/2" ID

Final Frame Drive Linkage Assembly



Ref #	Part Number	Qty	Description
-	0017-00103-0286	2	Hardware: Locking Nut
-	0017-00104-0164	2	Hardware: Washer 0.75" OD
-	GK61-00002-0020	1	Drive Linkage Assembly Kit
-	0K61-03004-0000	1	Arm Extension
-	0017-00009-1085	1	Spherical Washer
-	0017-00009-1084	1	Wave Spring
-	0K61-01066-0000	1	Spherical End Sleeve
-	0017-00101-1645	1	Hardware: Bolt
-	0K61-01261-0000	1	Control Link Sleeve
-	0017-00104-0044	1	Hardware: Washer 0.75" OD

General Assembly



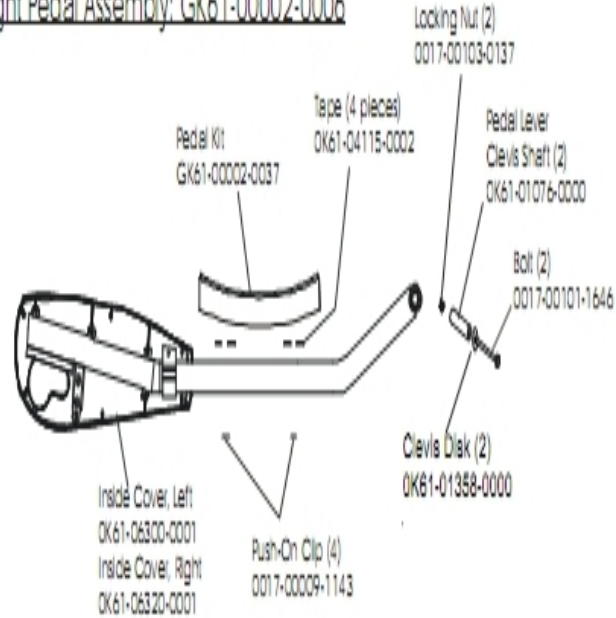
Optional: Chest Strap
 Small: SK40-00045-0002
 Medium: SK40-00045-0003
 Large: SK40-00045-0004

Ref #	Part Number	Qty	Description
-	AK61-00050-0000	1	Hardware Kit
-	SK40-00045-0004	1	Chest Strap - Large
-	SK40-00045-0002	1	Chest Strap - Small
-	SK40-00045-0003	1	Chest Strap - Medium

Pedal Lever Assembly

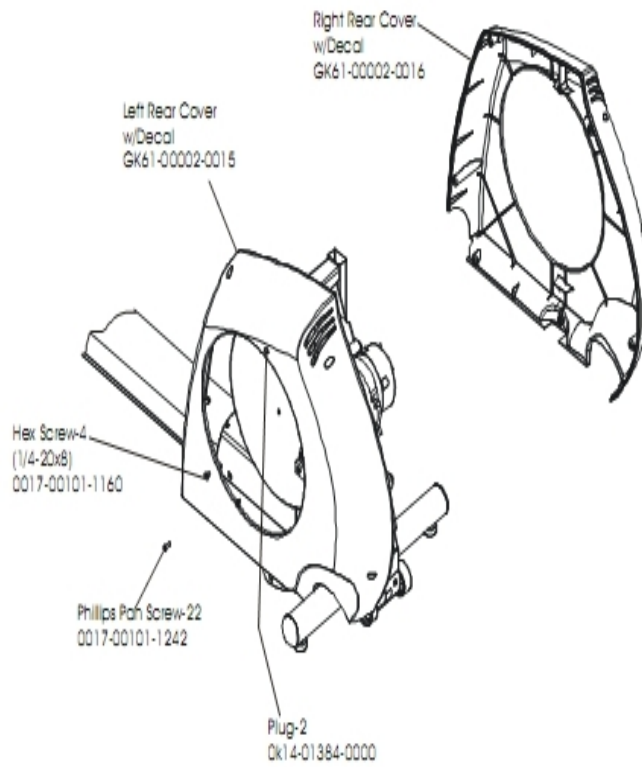
Left Pedal Assembly: GK61-00002-0005

Right Pedal Assembly: GK61-00002-0006



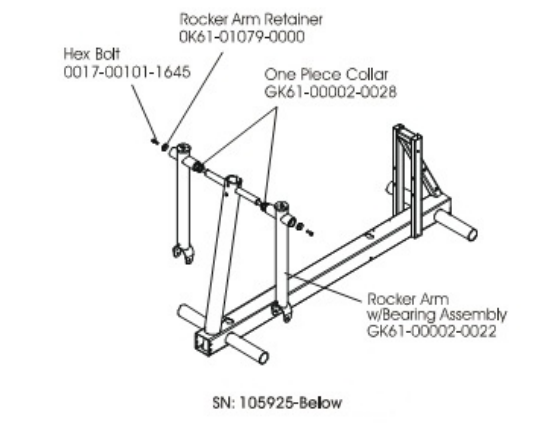
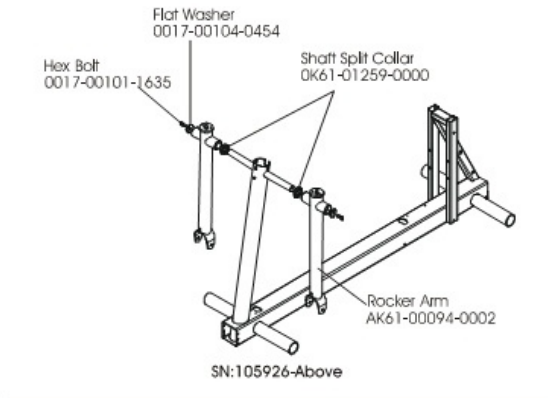
Ref #	Part Number	Qty	Description
-	0017-00009-1143	8	Clip
-	0017-00101-1646	4	Hardware: Bolt 4.25"
-	GK61-00002-0005	1	Left Pedal Assembly
-	OK61-06320-0001	1	Inside Cover Right
-	0017-00103-0137	4	Hardware: Locking Nut 3/8" ID
-	OK61-01076-0000	4	Pedal Lever Clevis Shaft
-	GK61-00002-0037	2	Pedal Kit
-	GK61-00002-0006	1	Right Pedal Assembly
-	OK61-04115-0002	2	Adhesive Tape
-	OK61-06300-0001	1	Inside Cover Left

Rear Drive Shrouds W/Decals



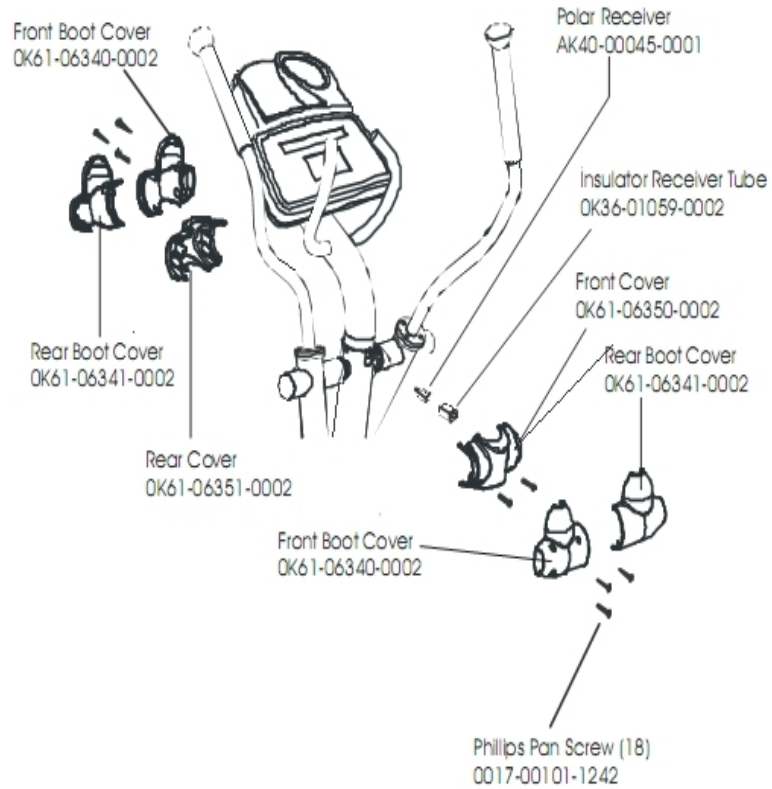
Ref #	Part Number	Qty	Description
-	GK61-00002-0016	1	Right Rear Cover with Decal
-	OK14-01384-0000	2	Plug
-	0017-00101-1242	22	Hardware: Phillips Pan Screw 0.75"
-	GK61-00002-0015	1	Left Rear Cover with Decal
-	0017-00101-1160	4	Hardware: Hex Screw

Rocker Arm Assembly



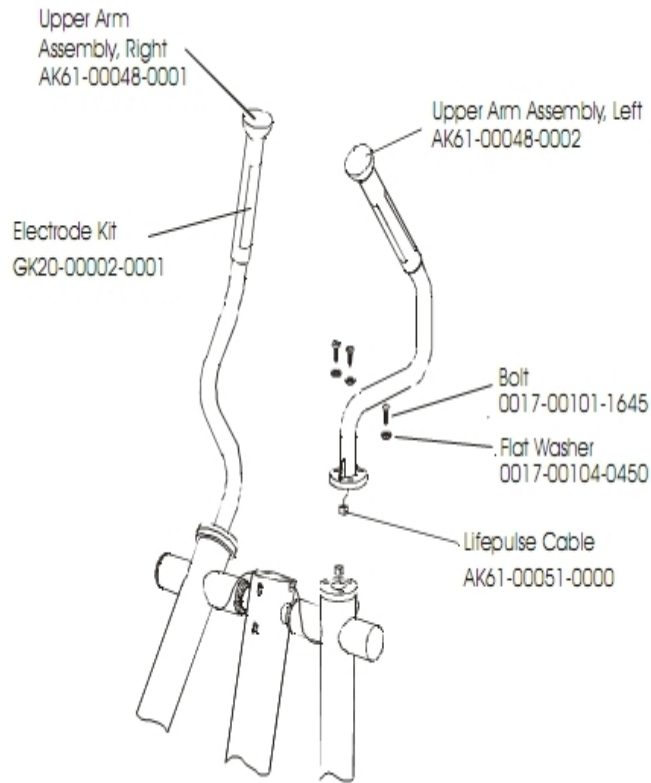
Ref #	Part Number	Qty	Description
-	OK61-01259-0000	2	Shaft Split Collar
-	GK61-00002-0028	2	Rocker Arm Collar
-	0017-00104-0454	2	Hardware: Flat Washer 1.62" OD
-	GK61-00002-0022	2	Rocker Arm with Bearing Assembly
-	0017-00101-1645	2	Hardware: Bolt
-	0017-00101-1635	2	Hardware: Hex Bolt 1"
-	AK61-00094-0002	2	Rocker Arm
-	OK61-01079-0000	2	Rocker Arm Retainer

Rocker Arm Covers



Ref #	Part Number	Qty	Description
-	OK36-01059-0002	1	Insulator Receiver Tube
-	OK61-06340-0002	2	Front Boot Cover
-	0017-00101-1242	18	Hardware: Phillips Pan Screw 0.75"
-	OK61-06350-0002	1	Front Cover
-	SK40-00045-0001	1	Polar HR Kit
-	OK61-06341-0002	2	Rear Boot Cover
-	OK61-06351-0002	1	Rear Cover

Upper Arm/Heart Rate Assembly



Ref #	Part Number	Qty	Description
-	0017-00101-1645	3	Hardware: Bolt
-	GK20-00002-0001	2	Heart Rate Electrode Kit
-	AK61-00051-0000	1	Bullhorn HR cables
-	0017-00104-0450	1	Hardware: Flat Washer 0.67" OD
-	AK61-00048-0002	1	Upper Arm Assembly: Left
-	AK61-00048-0001	1	Upper Arm Assembly: Right

