

V Series Low Volt Charcoal Grey Tread Base

CVT-ALLX-2401

Parts Manual

1/5/2019 13:33:48 PM

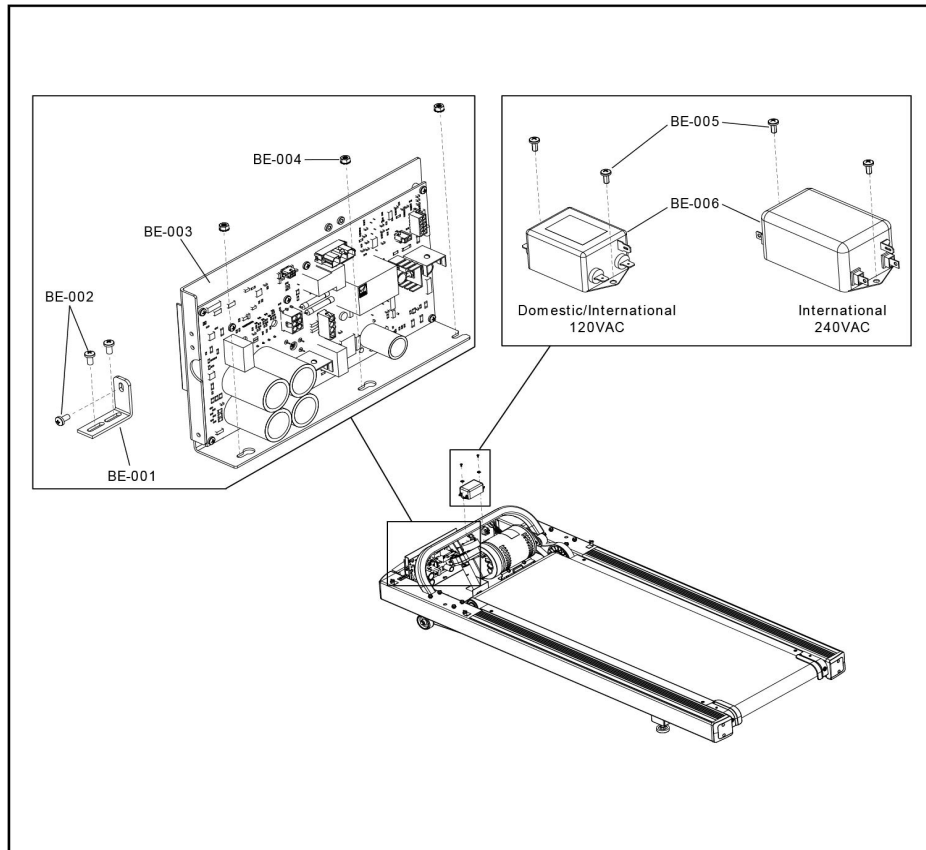


LifeFitness
WHAT WE LIVE FOR

Table of Contents

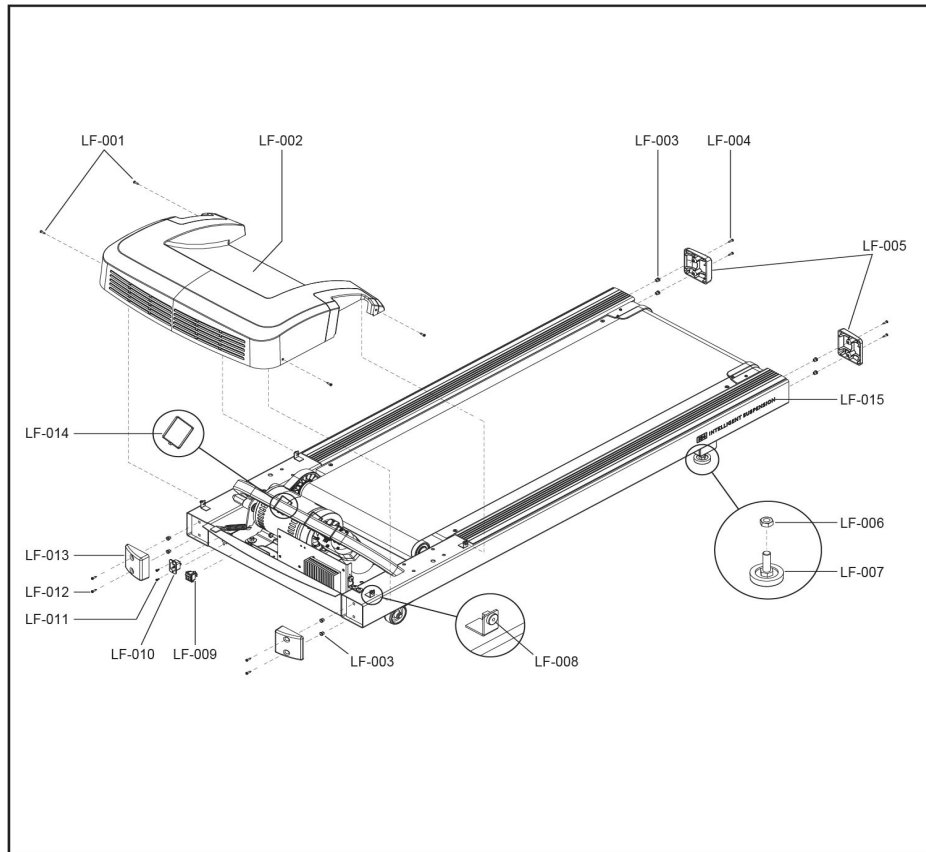
[Base Electronics](#).....3
[Covers End Caps and Side Mounted Components](#).....4
[Drive Belt and Miscellaneous](#).....5
[Drive Motor](#).....6
[Front Roller](#).....7
[LifePulse Assembly](#).....8
[Lift Frame Assembly](#).....9
[Lift Motor Assembly](#).....10
[Main Drive System and Miscellaneous Components](#).....11
[Running Belt, Deck, and Associated Components](#).....12
[Switches and Receptacles](#).....13
[Upper Frame Parts](#).....14
[Wiring Diagram](#).....15

Base Electronics



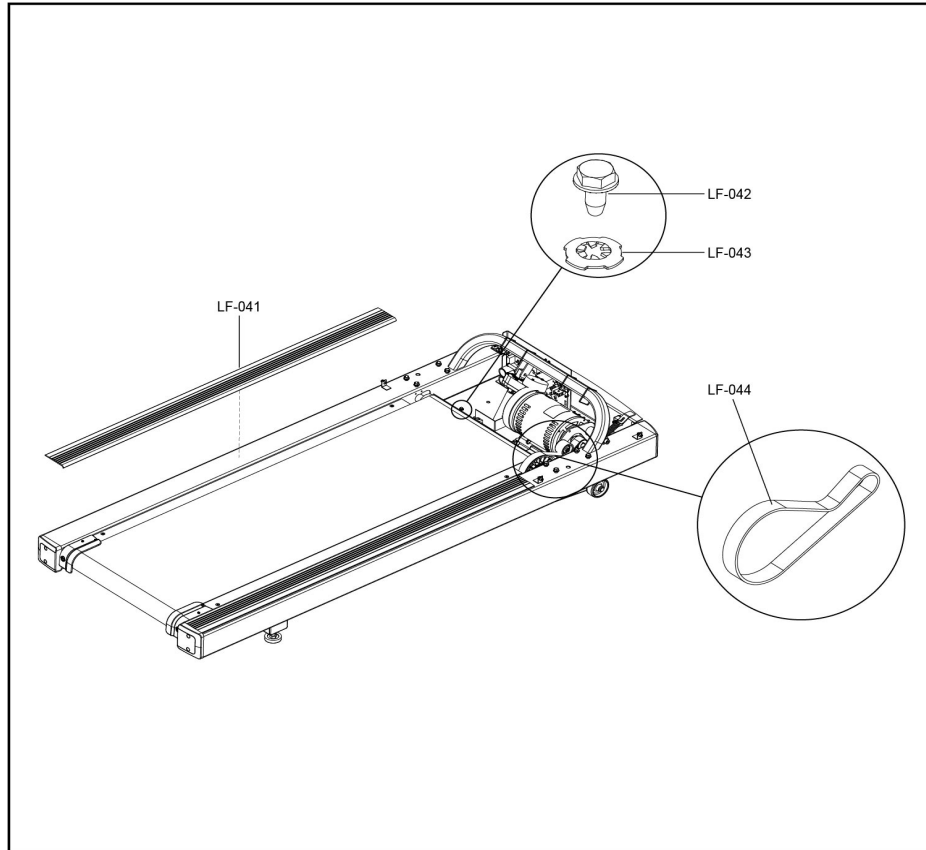
Ref #	Part Number	Qty	Description
BE-001	0K75-01031-0000	1	DSP Bracket Frame
BE-002	0017-00101-1193	3	Hardware: Screw 0.375"
BE-003	AK75-00005-0000	1	Motor Controller: 120V
BE-003	AK75-00005-0001	1	Motor Controller: 230V
BE-004	0017-00103-0350	3	Hardware: Hex Nut 5 MM
BE-005	0017-00101-0162	2	Hardware: Screw 0.375"
BE-006	0017-00003-1015	1	20 amp Line Filter (DOM)
BE-006	0017-00003-0898	4	10 amp Line Filter (INT)

Covers End Caps and Side Mounted Components



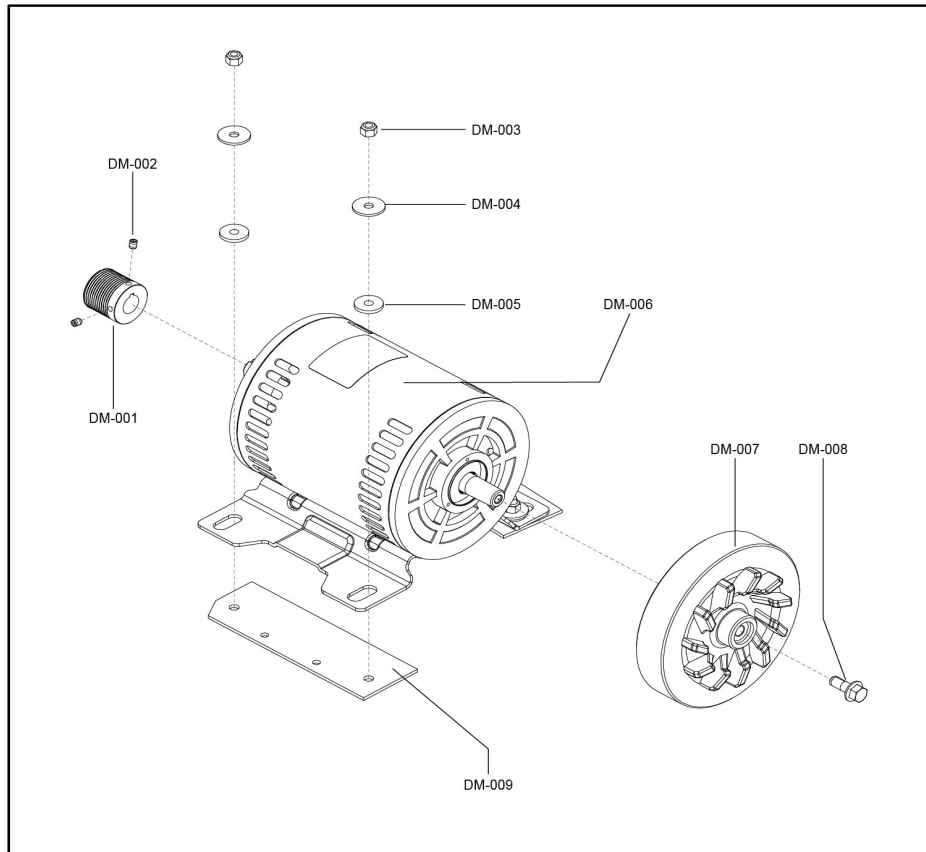
Ref #	Part Number	Qty	Description
LF-001,LF-004,LF-012	0017-00101-1796	5	Hardware: Mounting Screw 19 MM
LF-002	1008283-0000	1	SHROUD ASSY: MOTOR, TOP COVER
LF-003,LF-008	0017-00042-0326	3	Hardware: Plastic Grommet
LF-005	0K75-01019-2400	2	ENDCAP: REAR, CHARCOAL GRAY
LF-006	0017-00103-0323	1	Hardware: Nut 1/2" ID
LF-007	0K60-01033-0000	4	Leg Leveler
LF-009	0017-00032-0198	1	On/Off Switch 22A
LF-010	0017-00003-0949	1	IEC Receptacle
LF-011	0017-00101-1969	2	Hardware: IEC Receptacle Mounting Screw 10MM
LF-013	0K60-01018-2402	2	ENDCAP: FRONT, CHARCOAL GRAY
LF-014	0017-00042-1082	4	Strap: Cable-Tie: L=15-5/16 IN. S/C#09-B
LF-015	1003625-0002	2	LABEL: CYBEX IS4 LOGO, TREADMILL CHARCOAL

Drive Belt and Miscellaneous



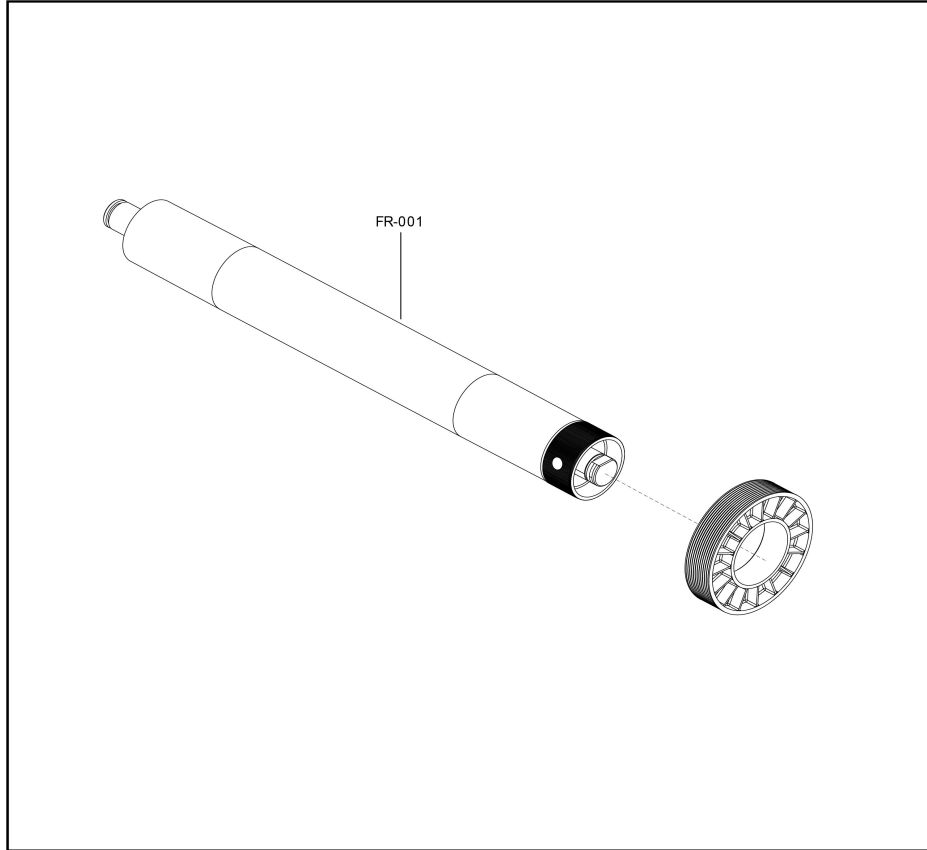
Ref #	Part Number	Qty	Description
LF-041	0K75-01022-2400	1	EXTRUSION: SIDE, CHARCOAL GRAY
LF-042	0017-00101-0883	2	Hardware: Screw 0.375"
LF-043	0017-00104-0460	1	Hardware: Lockwasher 0.562" OD
LF-044	0K60-01227-0000	1	BELT: POLY-V; 270J12; 27.00 IN

Drive Motor



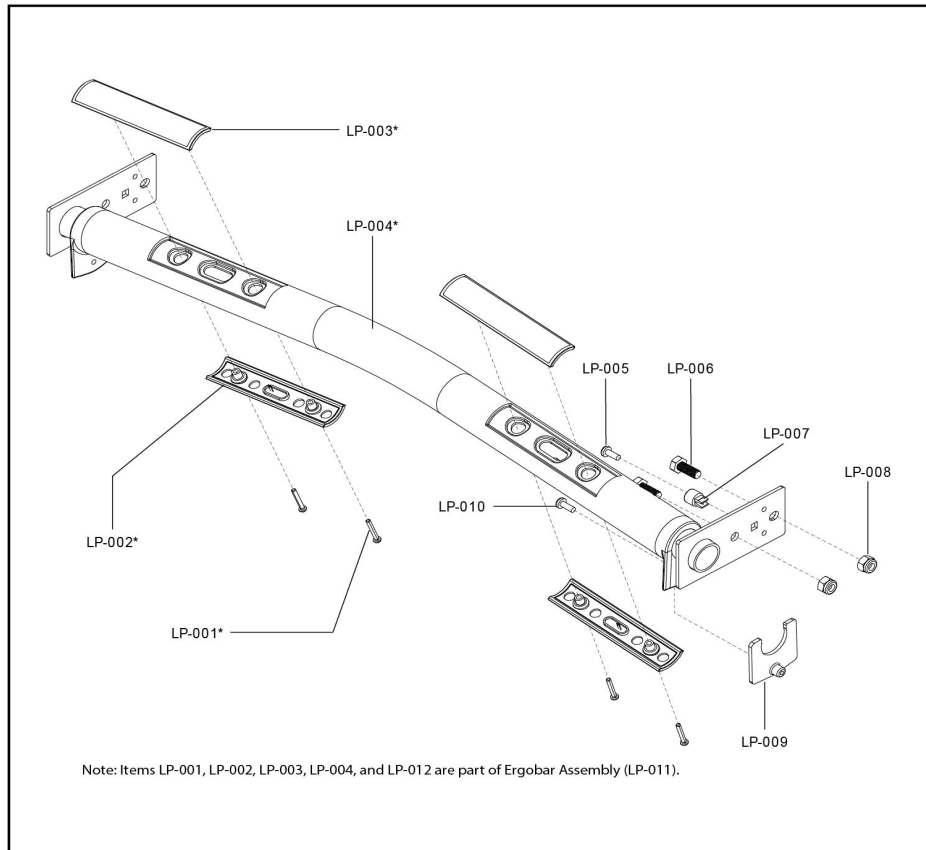
Ref #	Part Number	Qty	Description
DM-001	GK60-00002-0015	1	Kit: Activate Treadmill Belt And Pulley
DM-002	0017-00101-0333	2	Hardware: Screw 0.3125"
DM-003	0017-00103-0027	4	Hardware: Locking Nut. 5/16" ID
DM-004	0017-00104-0409	4	Hardware: Washer 1.125" OD
DM-005	0K58-01255-0000	4	Hardware: Insulating Washers
DM-006	0K58-01386-0004	1	MOTOR: MAIN DRIVE, 230V/50HZ, W/TAPER
DM-007	0K65-01221-0000	1	Flywheel with Fan
DM-008	0017-00101-1885	1	Hardware: Hex Bolt 1"
DM-009	0K58-01256-0001	2	Insulating Pad

Front Roller



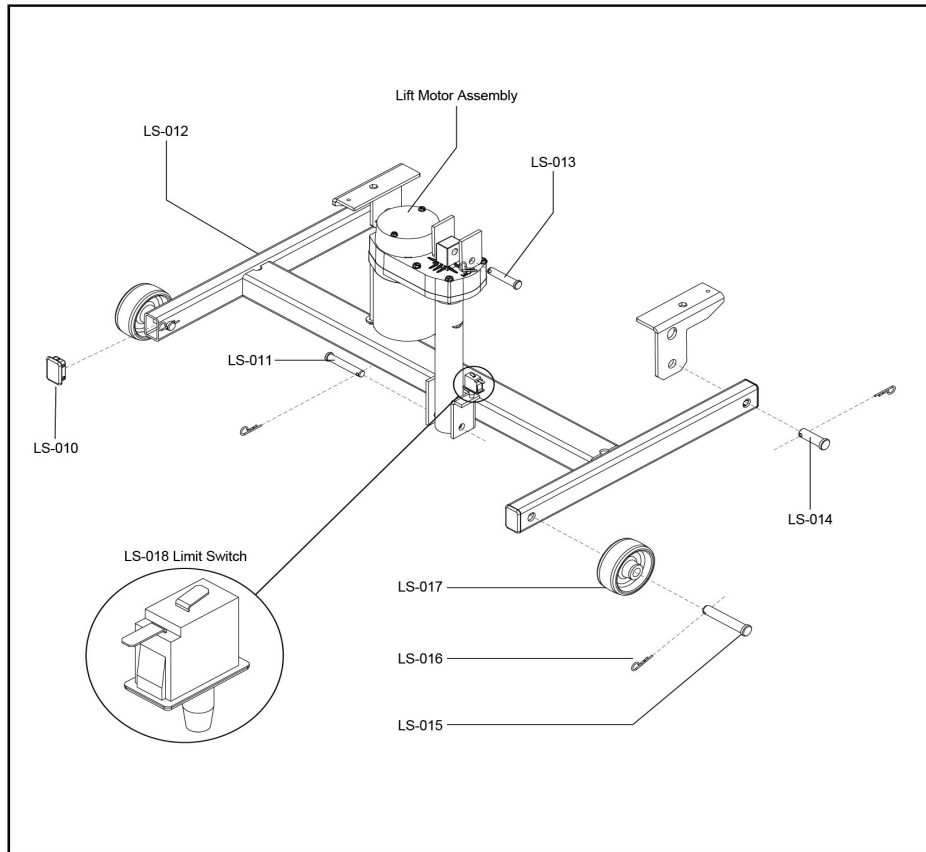
Ref #	Part Number	Qty	Description
FR-001	AK60-00029-0000	1	Front Roller Assembly

LifePulse Assembly



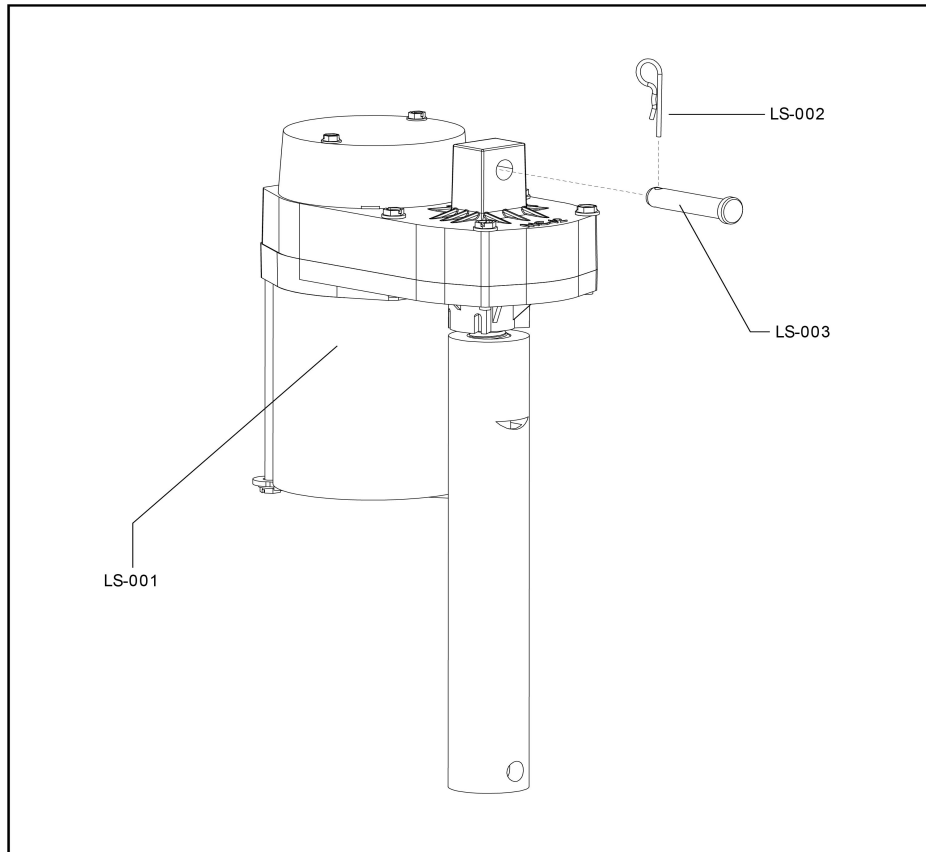
Ref #	Part Number	Qty	Description
LP-001	0017-00101-2054	4	Hardware: Screw 1"
LP-002	AK60-00080-2403	2	ELECTRODE: INSERT MOLD, BOTTOM, CHARCOAL GRAY
LP-003	AK60-00079-2403	2	ELECTRODE: INSERT MOLD, TOP, CHARCOAL GRAY
LP-004	0K75-01034-0700	1	ERGOBAR: W/OVERMOLD, BLACK
LP-005	0017-00101-1796	2	Hardware: Mounting Screw 19 MM
LP-006	0017-00101-1983	4	Hardware: Mounting Bolt 20MM
LP-007	0017-00042-1226	2	Hardware: Plastic Grommet
LP-008	0017-00103-0333	2	Hardware: Hex Nut
LP-009	0K75-01073-0000	4	Ergobar Backing Plate
LP-010	0017-00101-1981	1	Hardware: Pan Screw MM
LP-011	MK75-01020-0001	1	ASSEMBLY: ERGOBAR
LP-012	AK75-00012-0000	1	Heart Rate Sensor Cable

Lift Frame Assembly



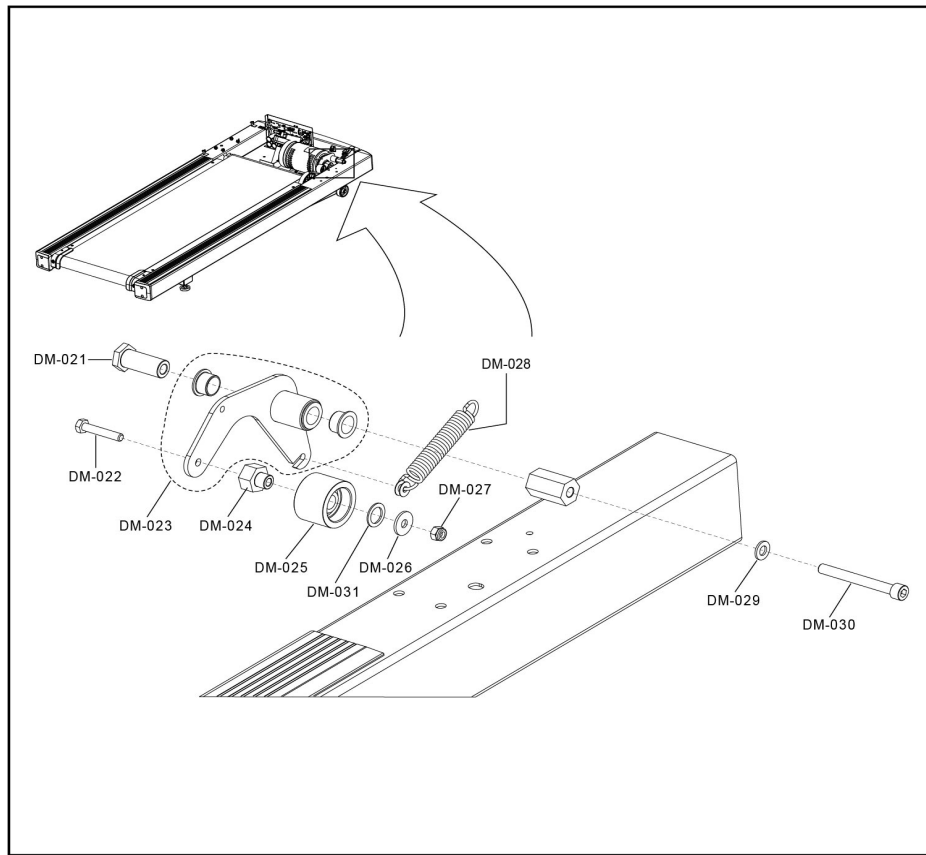
Ref #	Part Number	Qty	Description
LS-010	0K60-01092-0000	4	Tube End Cap
LS-011	0017-00007-0215	1	Hardware: Clevis Pin - 3/8" D 2.25" L
LS-012	0K60-01021-0000	1	Arm: Lift; Frame; Painted C
LS-013	0017-00007-0214	1	Hardware: Clevis Pin 3/8" D 1.75" L
LS-014	0017-00007-0270	2	Hardware: Clevis Pin - 1/2" D 1.5" L
LS-015	0017-00007-0271	2	Hardware: Clevis Pin - 1/2" D 2.75" L
LS-016	0017-00007-0208	6	Hardware: Cotter Pin
LS-017	0K60-01020-0000	2	Wheel
LS-018	0017-00032-0195	1	Home Switch

Lift Motor Assembly



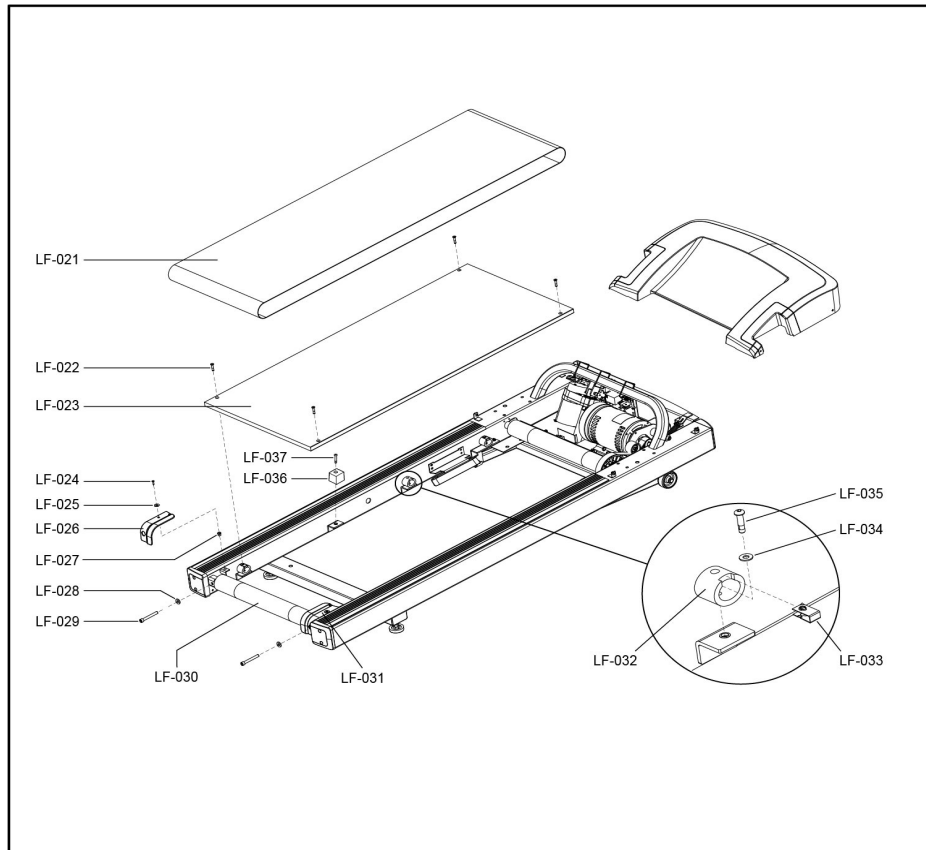
Ref #	Part Number	Qty	Description
LS-001	0K60-01166-0001	1	Motor: Lift INT 200V-240V
LS-001	0K60-01094-0000	1	Motor: Lift DOM 100V-120V
LS-002	0017-00007-0208	1	Hardware: Cotter Pin
LS-003	0017-00007-0214	1	Hardware: Clevis Pin 3/8" D 1.75" L

Main Drive System and Miscellaneous Components



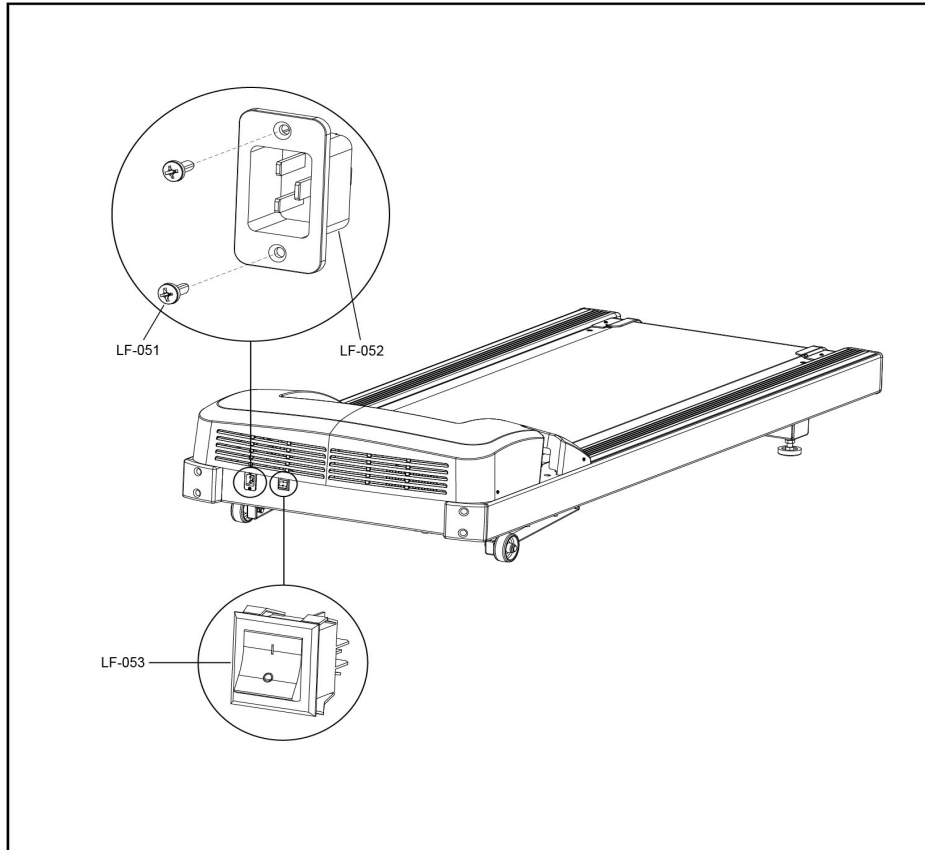
Ref #	Part Number	Qty	Description
DM-021	0K75-01016-0000	1	Idler Pivot Shaft
DM-022	0017-00101-2057	1	Hardware: Hex Screw 45MM
DM-023	MK75-00060-0000	1	ASSEMBLY: IDLER ARM
DM-024	0K75-01015-0000	1	Bearing Shaft
DM-025	MK75-00050-0000	1	Roller Bearing Assembly
DM-026	0017-00104-0479	1	Hardware: Flat Washer 25.4MM OD
DM-027	0017-00103-0333	1	Hardware: Hex Nut
DM-028	0K58-01085-0000	1	Extension Spring
DM-029	0017-00104-0470	1	Hardware: Washer 20 MM OD
DM-030	0017-00101-2061	1	Hardware: Screw 90MM
DM-031	3227202	1	Washer, .377 X .875 X .062 FLT NY

Running Belt, Deck, and Associated Components



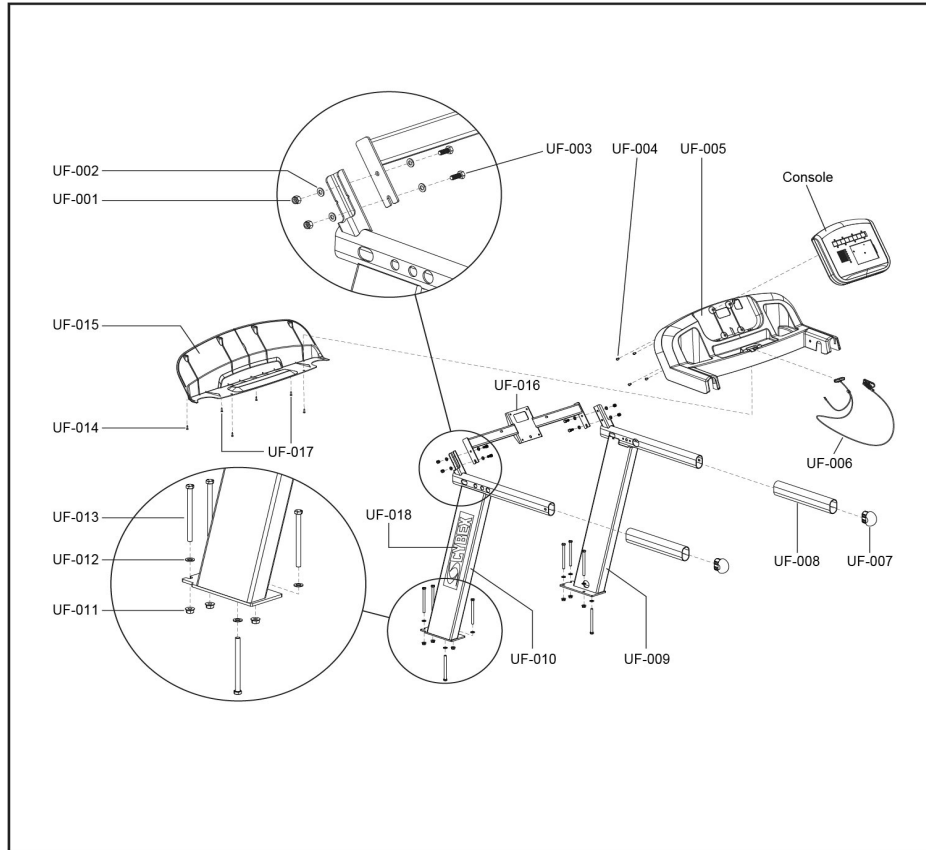
Ref #	Part Number	Qty	Description
LF-021	1008317-0001	1	BELT: WALKING, 20.0" WIDE
LF-022	0017-00101-1775	4	Hardware: Deck Screws 1.25"
LF-023	0K60-01022-0001	1	Deck: Compliant; No-Wax C
LF-024	0017-00101-1776	2	Hardware: Mounting Screw 0.5"
LF-025	0017-00104-0468	2	Hardware: Washer 18 MM OD
LF-026	0K60-01085-2402	1	GUARD: ROLLER, LEFT, CHARCOAL GRAY
LF-027	0017-00042-0326	2	Hardware: Plastic Grommet
LF-028	0017-00104-0334	2	Hardware: Flat Washers 0.880" OD
LF-029	0017-00101-1880	2	Hardware: Tension Bolts 3"
LF-030	0K60-01011-0000	1	Rear Roller
LF-031	0K60-01085-2401	1	GUARD: ROLLER, RIGHT, CHARCOAL GRAY
LF-032	0K40-01026-0002	6	Deck Spring
LF-033	0017-00103-0198	4	Hardware: Tinnerman Clip 1/4" ID
LF-034	0017-00104-0072	6	Hardware: Flat Washer 0.562" OD
LF-035	0017-00101-1652	6	Hardware: Spring Mounting Screw 1"
LF-036	1008463-0000	2	BLOCK: SUSPENSION, 3RD ROW
LF-037	1008417-0000	2	SCREW: 1/4-20 X 24, HXS, BUTL, CS, G8, BO

Switches and Receptacles



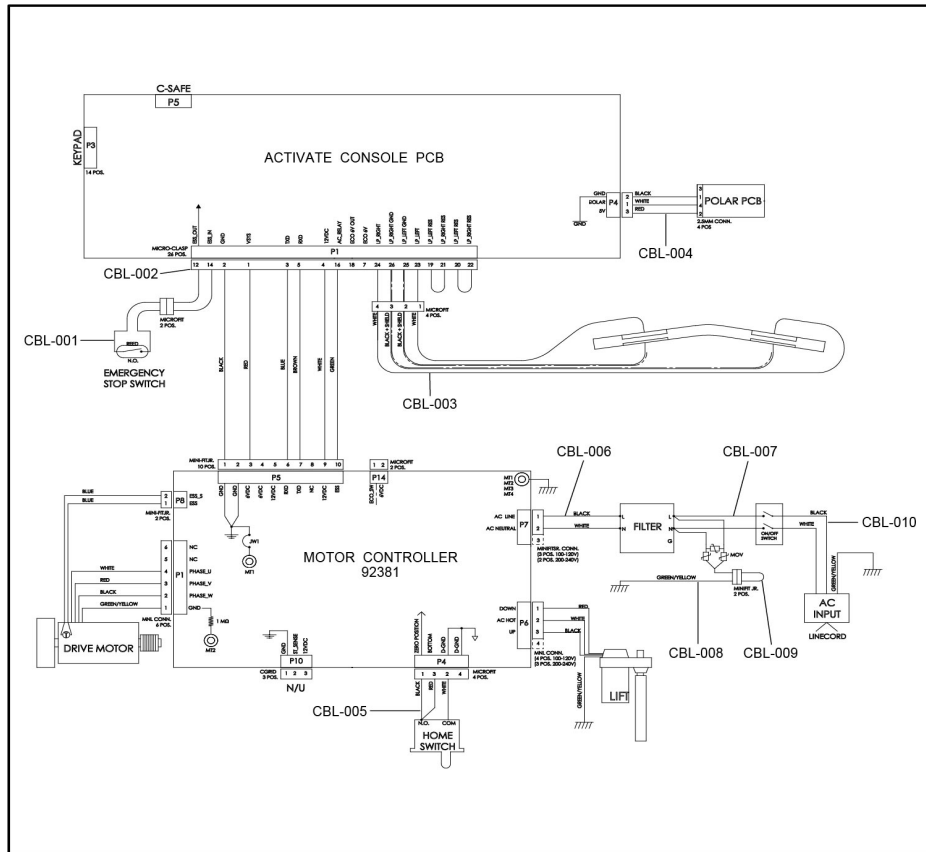
Ref #	Part Number	Qty	Description
LF-051	0017-00101-1969	2	Hardware: IEC Receptacle Mounting Screw 10MM
LF-052	0017-00003-0949	1	IEC Receptacle
LF-053	0017-00032-0198	1	On/Off Switch 22A

Upper Frame Parts



Ref #	Part Number	Qty	Description
UF-001	0017-00103-0333	4	Hardware: Hex Nut
UF-002	0017-00104-0469	8	Hardware: Flat Washer 16MM OD
UF-003	0017-00101-1983	4	Hardware: Mounting Bolt 20MM
UF-004	0017-00101-2058	4	Hardware: Console Screw 25MM
UF-005	0K75-01020-2400	1	SHROUD: CONSOLE, TOP, CHARCOAL GRAY
UF-006	AK65-00037-0002	1	TETHER: STOP SWITCH & CLIP
UF-007	0K59-01134-0700	2	ENDCAP: HANDLEBAR, BLACK
UF-008	0K75-01011-0700	2	GRIP: HANDRAIL, BLACK
UF-009	1008121-2400	1	WELDMENT: UPRIGHT, RIGHT, CHARCOAL GRAY
UF-010	1008078-2400	1	WELDMENT: UPRIGHT, LEFT, CHARCOAL GRAY
UF-011	0017-00103-0188	6	Hardware: Flange Lock Nut 3/8" ID
UF-012	0017-00104-0464	8	Hardware: Flat Washer 0.734" OD
UF-013	0017-00101-1256	8	Hardware: Mounting Bolt 5"
UF-014	0017-00101-1796	4	Hardware: Mounting Screw 19 MM
UF-015	0K75-01021-2400	1	SHROUD: CONSOLE, BOTTOM, CHARCOAL GRAY
UF-016	0K75-01033-0700	1	WELDMENT: BRIDGE, BLACK
UF-017	0017-00101-1981	2	Hardware: Pan Screw MM
UF-018	1008415-0002	2	LABEL: CYBEX LOGO, TREADMILL, SILVER

Wiring Diagram



Ref #	Part Number	Qty	Description
CBL-001	AK58-00036-0000	1	Cable-Assembly: Emergency-Stop Switch
CBL-002	AK75-00001-0000	1	Console Cable Assembly
CBL-003	AK75-00012-0000	1	Heart Rate Sensor Cable
CBL-004	AK69-00157-0001	1	Polar Cable
CBL-005	AK65-00074-0000	1	Cable: Home Switch
CBL-006	AK75-00014-0000	1	Power Control Cable: 120V
CBL-006	AK75-00014-0001	1	Power Control Cable: 230V
CBL-007	AK75-00003-0000	1	Filter/Switch Cable
CBL-008	AK58-00224-0001	1	Cable: MOV; Fliter
CBL-009	AK58-00263-0000	1	Hi-Pot Jumper Cable
CBL-010	AK75-00013-0000	1	IEC Switch Cable

