

# V Series Silver Cross Trainer Base

CVX-TWNXX-0101

## Parts Manual

1/5/2019 13:33:56 PM



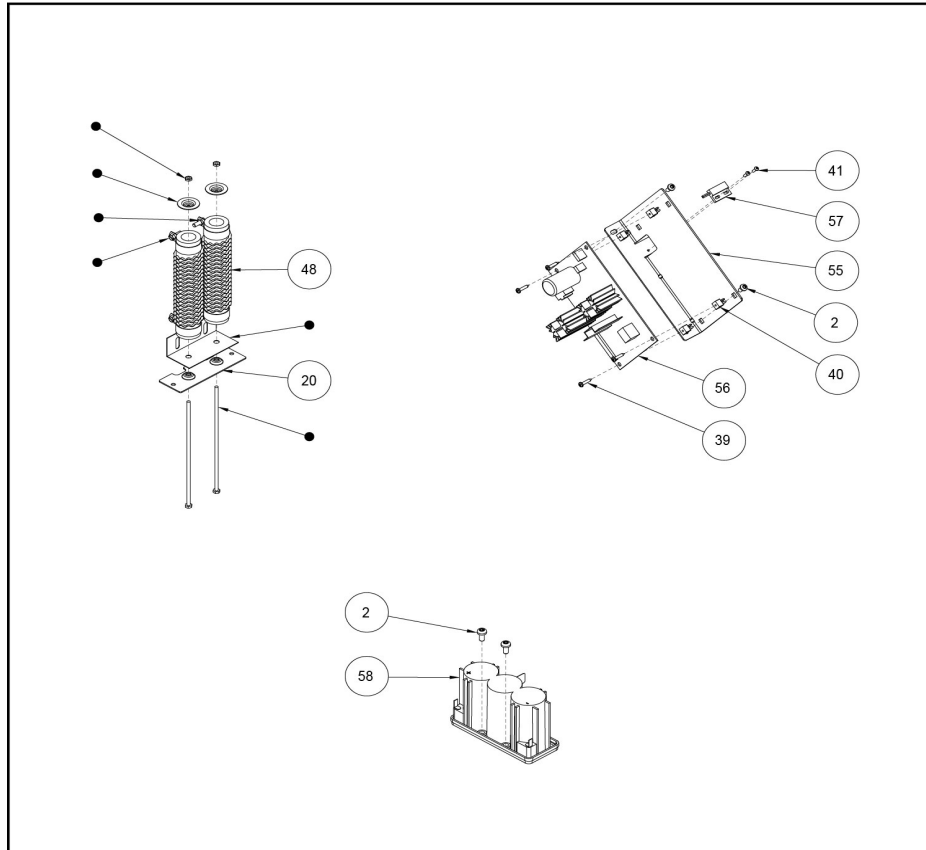
**LifeFitness**  
WHAT WE LIVE FOR

**Table of Contents**

---

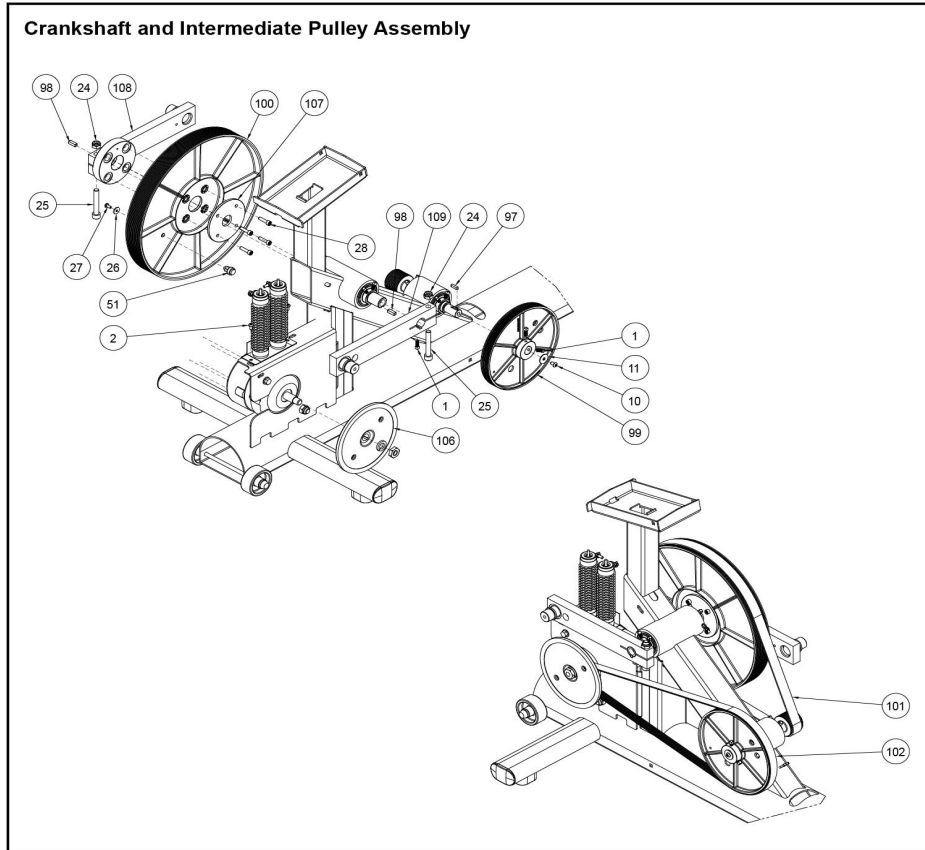
[Base Electronics](#).....3  
[Crankshaft and Intermediate Pulley Assembly](#).....4  
[Lower Frame Components](#).....5  
[Moving Arm Assembly](#).....6  
[Pedal and Clevis Covers](#).....7  
[Rear Covers](#).....8  
[Rocker Arm Assembly](#).....9  
[Wiring Diagram](#).....10

## Base Electronics



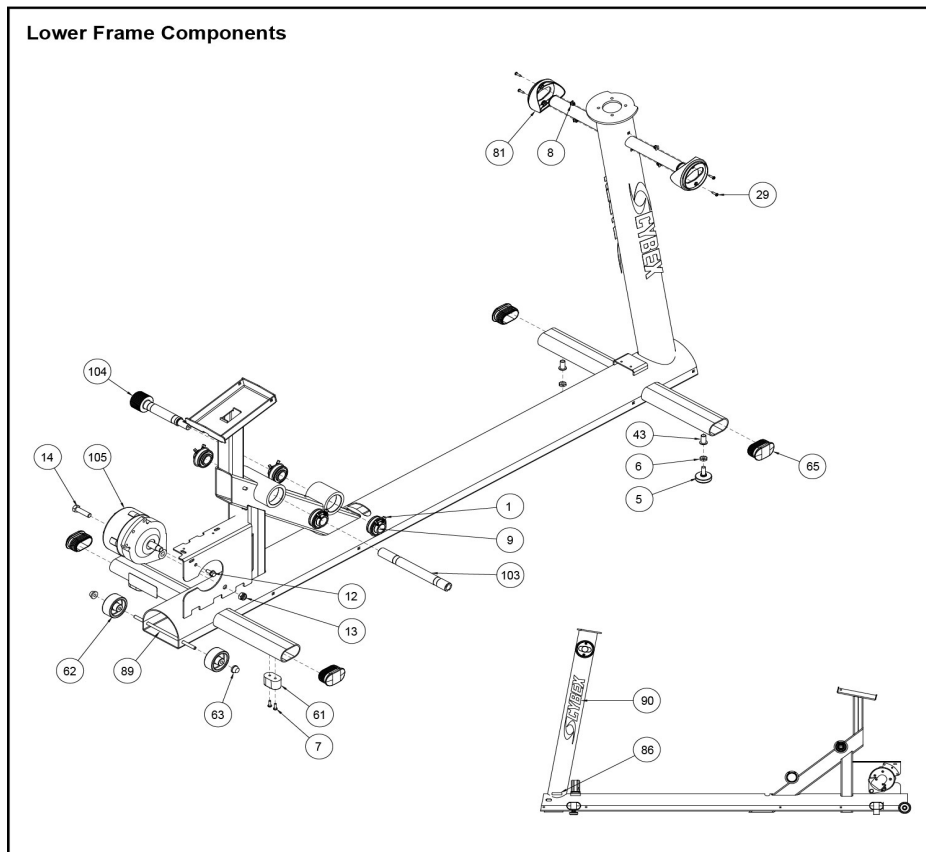
Ref #	Part Number	Qty	Description
2	0017-00101-2063	4	Hardware: Torx Pan Screw 10MM
20	0K78-01090-0000	1	Resistor Bracket
39	0017-00101-1838	4	Hardware: Mounting Screw 19 MM
40	0017-00042-0821	4	Hardware: Plastic Grommet
41	0017-00101-1794	2	Hardware: Screw 10MM
48	AK62-00260-0000	1	Resistor Assembly
55	0K78-01067-0000	1	PCB Bracket
56	B084-92218-0000	1	PCB Circuit Board
57	118E-00001-0140	1	Reed Switch SPDT
58	0017-00003-0685	1	6V Battery

# Crankshaft and Intermediate Pulley Assembly



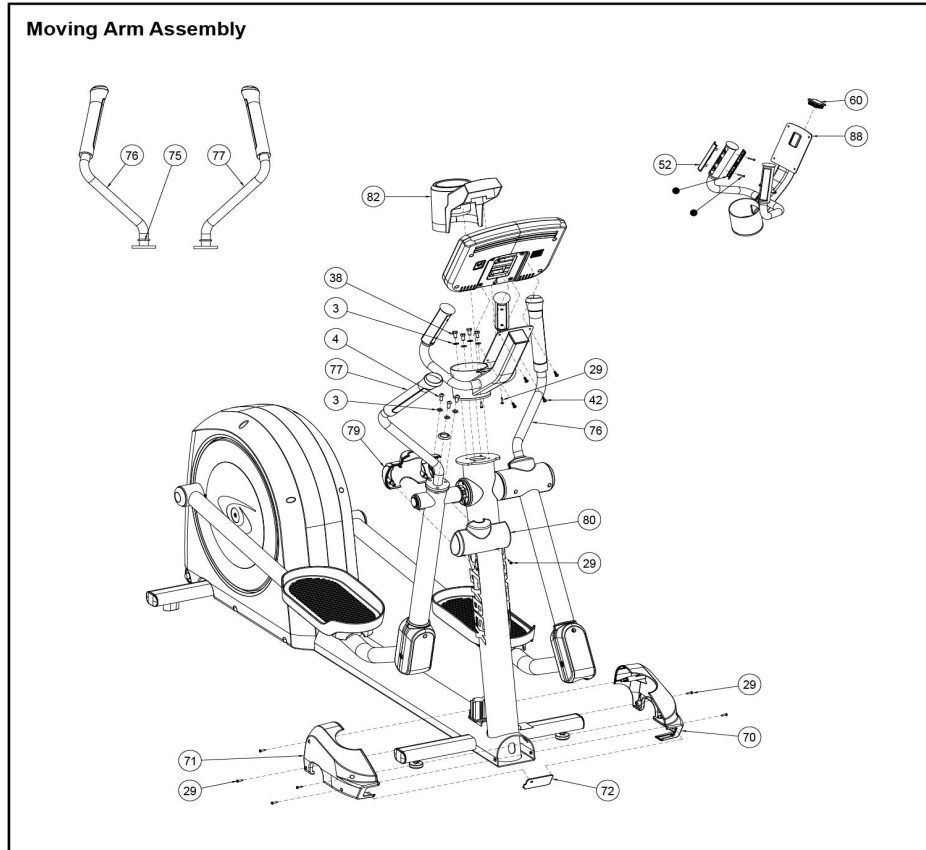
Ref #	Part Number	Qty	Description
1	0017-00101-2015	1	Hardware: Pulley Set Screw 15 MM
2	0017-00101-2063	1	Hardware: Torx Pan Screw 10MM
10	0017-00101-1836	1	Hardware: Screw 10 MM
11	0017-00104-0465	1	Hardware: Flat Washer 23MM OD
24	0017-00103-0334	1	Hardware: Nut 10 MM
25	0017-00101-1860	1	Hardware: Crankarm Bolt 65MM
26	0017-00104-0144	1	Hardware: Washer 0.625" OD
27	0017-00101-1835	1	Hardware: Screw 10MM
28	0017-00101-1834	4	Hardware: Screw 24MM
51	AK62-00186-0000	1	Magnet-Standoff Assembly
97	0K53-01183-0000	1	Hex key
98	M0K53-01122-0000	1	Machine Key
99	0K35-01186-0007	1	Poly-V Pulley
100	0K61-02409-0000	1	Poly-V Crank Pulley
101	0K62-01135-0000	1	Drive Belt
102	0K78-01018-0000	1	Alternator Belt
106	0K61-01027-0000	1	Flywheel: 6.75" D
107	0K61-02302-0001	1	Crankshaft Plate
108	AK78-00037-0000	1	Crankarm: Left
109	AK78-00038-0000	1	Crankarm: Right

## Lower Frame Components



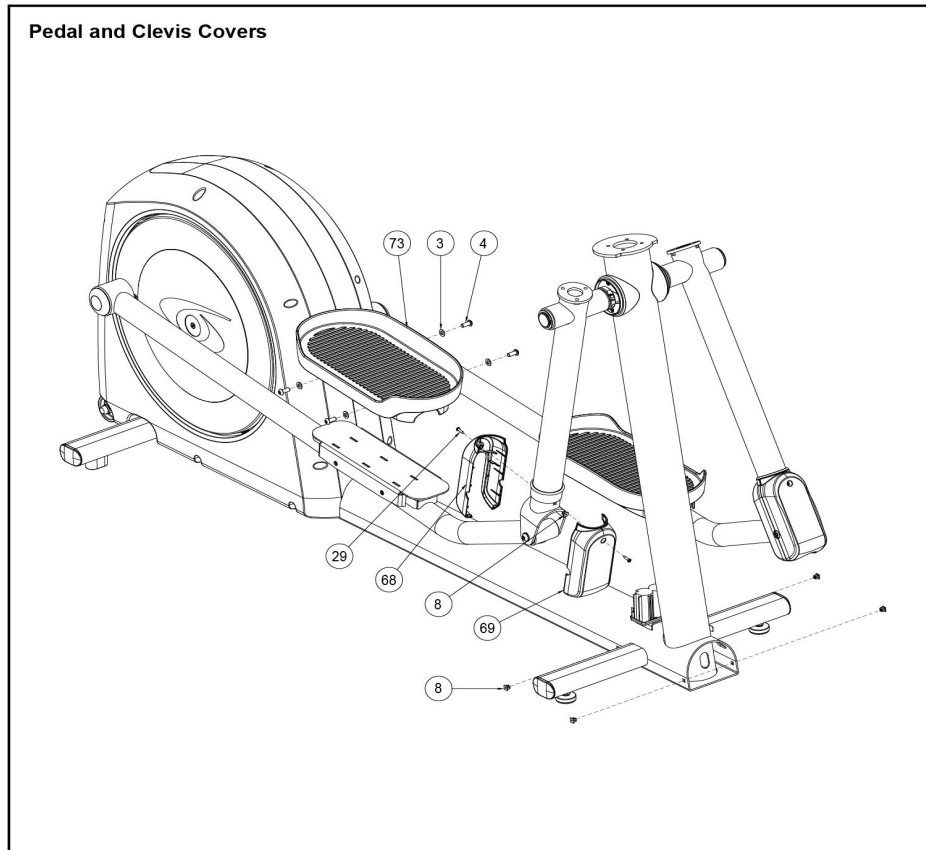
Ref #	Part Number	Qty	Description
1	0017-00101-2015	12	Hardware: Pulley Set Screw 15 MM
5	0K62-01178-0000	2	Leg Leveler
6	0017-00103-0330	2	Hardware: Nut 10 MM ID
7	0017-00101-1797	4	Hardware: Mounting Screw 16 MM
8	0017-00042-1147	4	Hardware: Nylon Grommet
9	0017-00006-0300	4	Hardware: Bearing
12	0017-00101-0986	1	Hardware: Bolt 0.75"
13	0017-00103-0332	1	Hardware: Mounting Nut
14	0017-00101-1867	1	Hardware: Mounting Bolt 45 MM
29	0017-00101-1796	4	Hardware: Mounting Screw 19 MM
43	0017-00009-1188	2	INSERT: METRIC; M10 THREADS B
61	0K78-01069-0700	2	PAD: FOOT, BLACK
62	0017-00042-0674	2	Wheel
63	0017-00042-1066	2	Push-on cap
65	0K78-01007-2400	4	ENDCAP: SMFLOV, INJ MOLDED, CHARCOAL GRAY
81	0K78-01006-2400	2	SHROUD: DEAD SHAFT, INNER, CHARCOAL GRAY
86	M051-00519-0000	1	LABEL: SERIAL-NUMBER SMALL
89	0K78-01058-0000	1	Wheel Shaft
90	1008661-0000	2	LABEL: V SERIES, CROSSTRAINER, CYBEX LOGO
103	0K78-01014-0000	1	Crankshaft
104	0K78-01015-0000	1	Intermediate Pulley Shaft
105	0017-00009-0841	1	Alternator

## Moving Arm Assembly



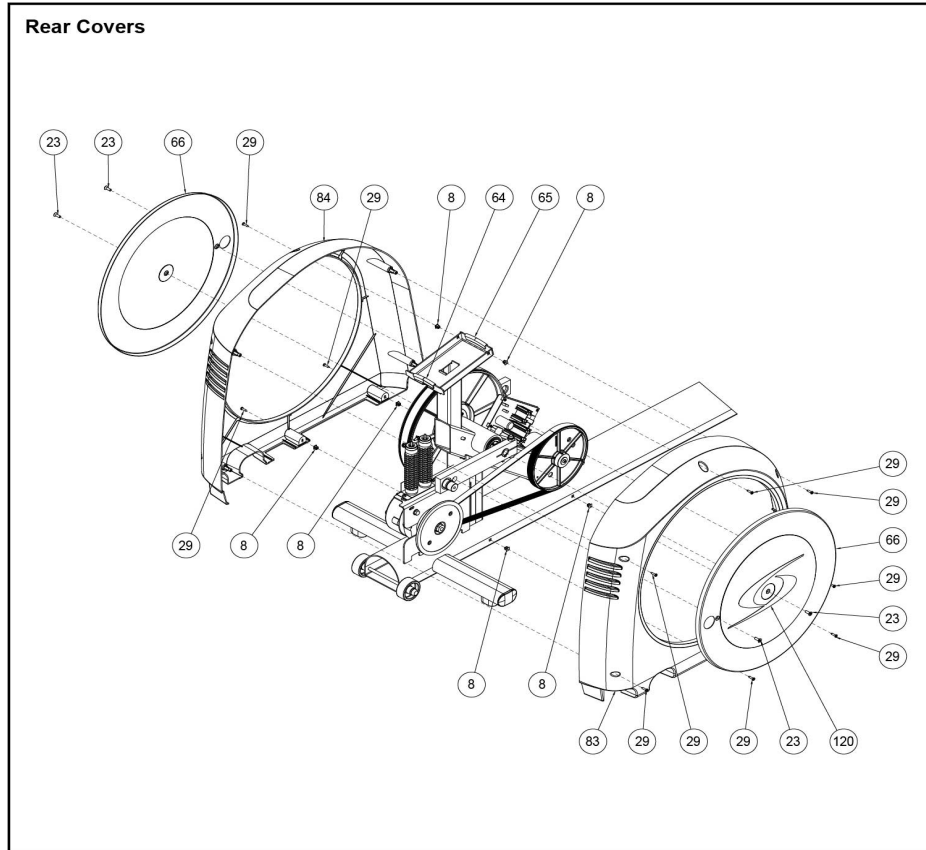
Ref #	Part Number	Qty	Description
3	0017-00104-0469	10	Hardware: Flat Washer 16MM OD
4	0017-00101-2059	6	Hardware: Screw 20MM
29	0017-00101-1796	6	Hardware: Mounting Screw 19 MM
38	0017-00101-1948	4	Hardware: Mounting Bolts 16MM
42	0017-00101-1972	2	Hardware: Screw 14MM
52	GK69-00002-0002	1	Handlebar Heart Rate Kit
60	0K78-01082-0700	1	ENDCAP: CONSOLE BRKT -07XX BLACK
70	AK78-00011-2400	1	SHROUD: FRONT, W/ONSERTS, LEFT, CHARCOAL GRAY
71	0K78-01028-2400	1	SHROUD: FRONT, RIGHT, CHARCOAL GRAY
72	0K66-01063-2401	1	BRKT: POWER/COAX, CHARCOAL GRAY
75	M0K62-01199-0703	2	GASKET: BULLHORN, BLACK
76	1008889-2400	1	ASSY: V SERIES MOVING ARM, LEFT, CHARCOAL GRAY
77	1008887-2400	1	ASSY: V SERIES MOVING ARM, RIGHT, CHARCOAL GRAY
79	AK78-00041-2400	2	SHROUD: DEAD SHAFT W/ONSERTS, CHARCOAL GRAY
80	0K78-01060-2400	2	SHROUD: DEAD SHAFT, SCREW SIDE, CHARCOAL GRAY
82	0K78-01080-2400	1	SHROUD: CONSOLE BRACKET, CHARCOAL GRAY
88	AK78-00051-5400	1	WELDMENT: CONSOLE SUPPORT, CHARCOAL GREY

## Pedal and Clevis\_Covers



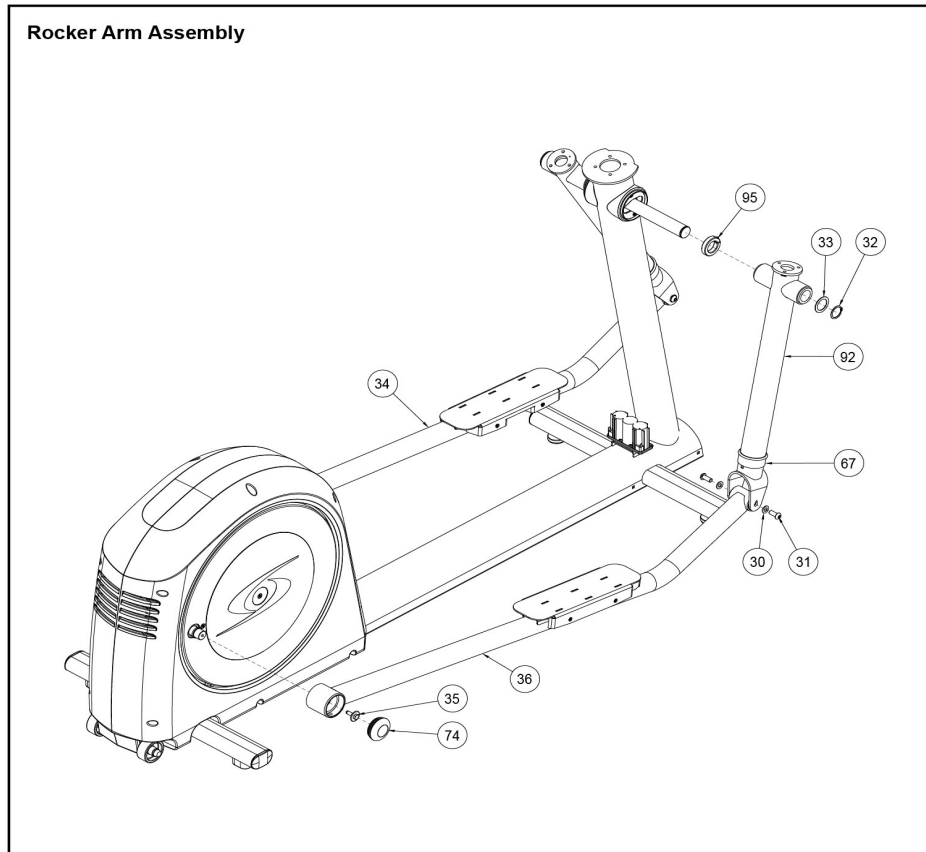
Ref #	Part Number	Qty	Description
3	0017-00104-0469	8	Hardware: Flat Washer 16MM OD
4	0017-00101-2059	8	Hardware: Screw 20MM
8	0017-00042-1147	1	Hardware: Nylon Grommet
29	0017-00101-1796	1	Hardware: Mounting Screw 19 MM
68	0K78-01004-2400	1	SHROUD: CLEVIS, REAR, CHARCOAL GRAY
69	0K78-01003-2400	1	SHROUD: CLEVIS, FRONT, CHARCOAL GRAY
73	0K78-01038-0700	1	PEDAL: PEDAL LEVER, BLACK

## Rear Covers



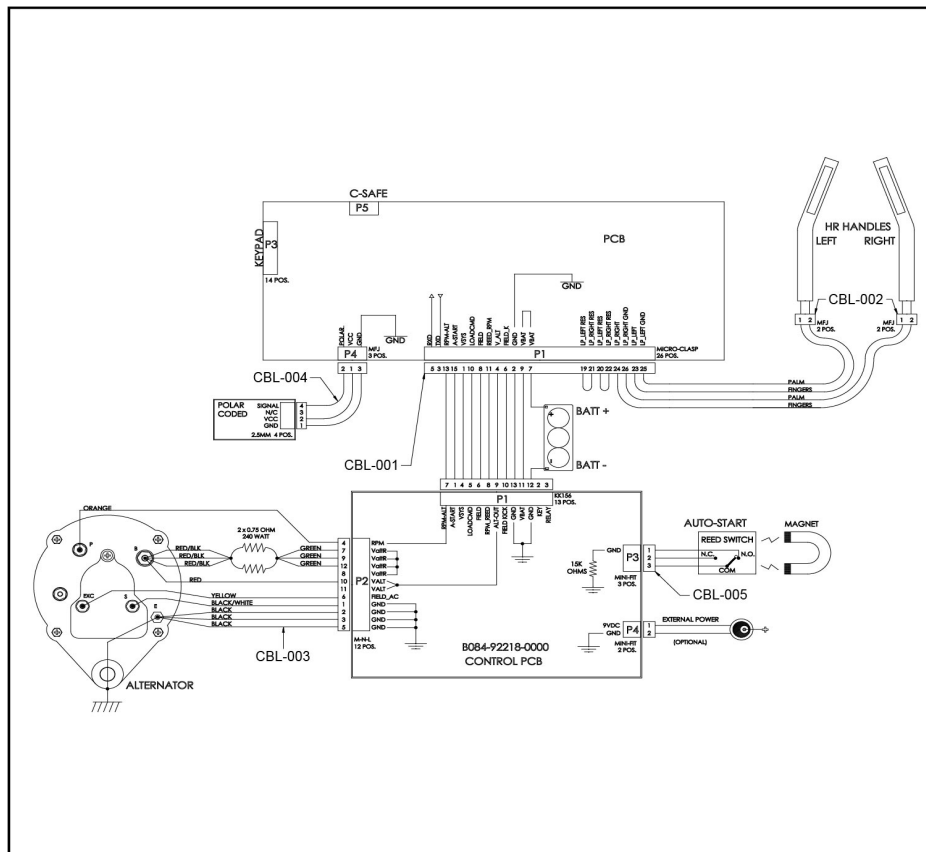
Ref #	Part Number	Qty	Description
8	0017-00042-1147	6	Hardware: Nylon Grommet
23	0017-00101-1837	4	Hardware: Screw 18MM
29	0017-00101-1796	10	Hardware: Mounting Screw 19 MM
64	0K62-01211-0000	1	Trim: Protective B
65	0K78-01007-2400	1	ENDCAP: SMFLOV, INJ MOLDED, CHARCOAL GRAY
66	0K78-01002-2400	2	COVER: CRANK, CHARCOAL GRAY
83	0K78-01012-2400	1	SHROUD: MAIN REAR, RIGHT, CHARCOAL GRAY
84	AK78-00012-2400	1	SHROUD: MAIN REAR, W/ONSERTS, LEFT, CHARCOAL GRAY
120	1008660-0001	2	LABEL: V SERIES, CROSSTRAINER, VORTEX

# Rocker Arm Assembly



Ref #	Part Number	Qty	Description
30	0017-00104-0470	4	Hardware: Washer 20 MM OD
31	0017-00101-2060	4	Hardware: Clevis Bolt 25MM
32	0017-00100-0178	2	Hardware: Retaining Ring 1.25"
33	0017-00104-0418	1	Hardware: Flat Washer 1.75" OD
34	1008883-5100	1	ASSY: V SERIES CT, LEFT PEDAL LEVER, ARCTIC SILVER
35	0K69-01231-0000	2	Hardware: Rear Mounting Bolt
36	1008884-5100	1	ASSY: V SERIES CT, RIGHT PEDAL LEVER, ARCTIC SILVER
67	0K78-01005-0700	2	GASKET: CLEVIS, BLACK
74	0K61-01284-2404	2	CAP: STABILIZER, CHARCOAL GRAY
92	1008814-0100	2	ASSY: ROCKER ARM, ARCTIC SILVER
95	0K61-01259-0000	2	Shaft Split Collar

# Wiring Diagram



Ref #	Part Number	Qty	Description
CBL-001	AK78-00050-0000	1	Main Cable
CBL-002	AK47-00029-0000	2	Lifepulse Cable
CBL-003	AK62-00092-0000	1	Power Control Cable
CBL-004	AK69-00157-0001	1	Polar Cable
CBL-005	118E-00001-0140	1	Reed Switch SPDT

