

Fit Series - Hip Abduction/Adduction

FSHAA

Parts Manual

1/5/2019 13:39:37 PM

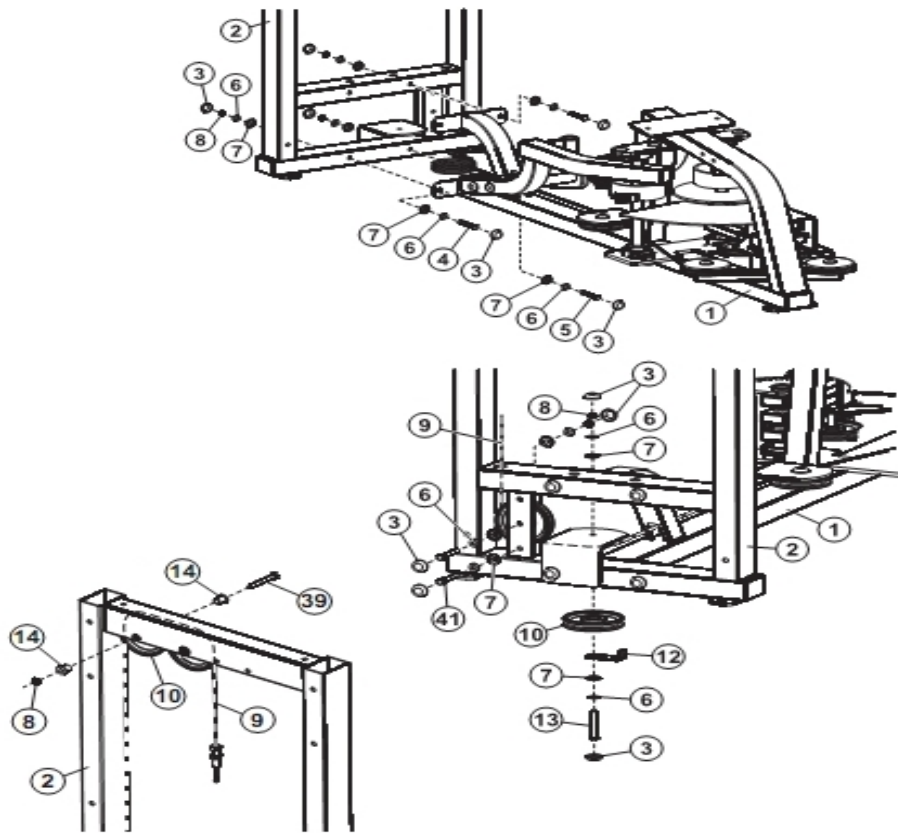




Table of Contents

Component Assembly 1	3
Component Assembly 2	5
Component Assembly 3	6
Component Assembly 4	8
Miscellaneous	9

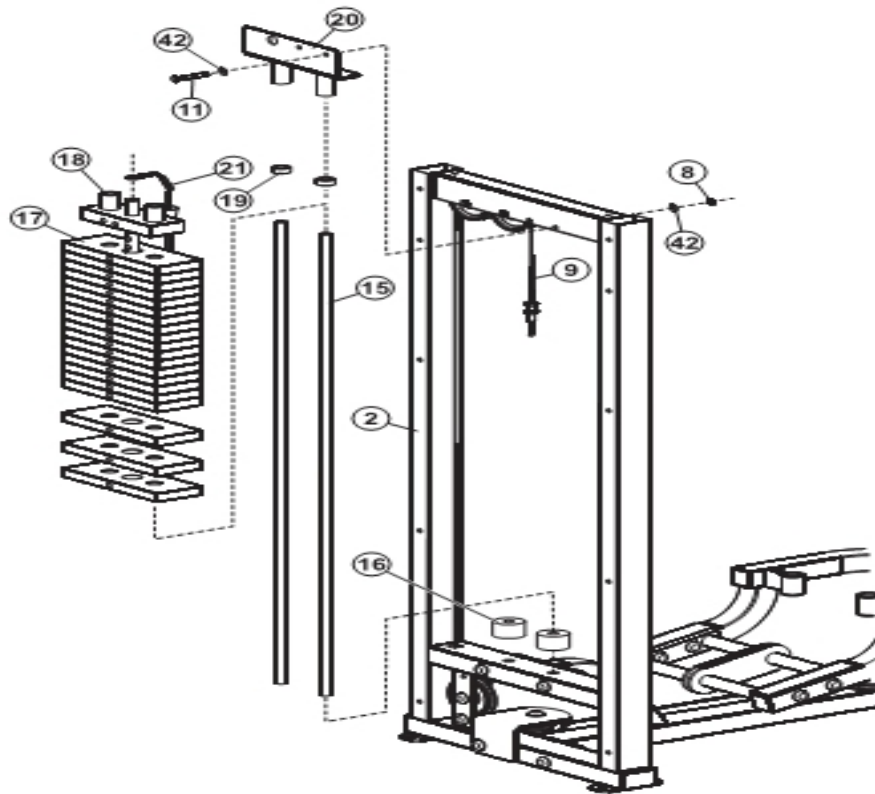
Component Assembly 1



Ref #	Part Number	Qty	Description
1	ACUAP04-0736WHT	1	PTD ASSY, BASE FSHAA (WHT)
1	ACUAP04-0736PLT	1	Painted Assembly, Base FSHAA (Plate)
2	ACUAP04-0735WHT	1	NLA: PTD ASSY, TOWER FSHAA (WHT)
2	ACUAP04-0735PLT	1	Painted Assembly, Tower FSHAA (Plate)
3	ACU06-0021PLT	26	Right Cap Platinum
3	ACU06-0021WHT	26	Right Cap White
4	ACUDA1C03809216 NU	3	3/8-16 X 90MM UNS HEX FHB G2 ZN
5	ACUDA1C03809816 NU	1	3/8-16 X 98MM UNS HEX FHB G2 ZN
6	ACUDC120010510U	26	Hardware: Washer, Flat 3/8" SAE ST ZN - 20 X 10.5
7	ACUP05-0009	26	3/8 Right Washer
8	ACUDB2E03807200 U	13	Hardware: Nylon Nut - 3/8 X 7.2T
9	ACU13-0104	1	Cable, BC-TP1, T2
10	3116101	4	Pulley, 4-1/2 OD X 3/8 ID X 1
12	ACUP02-0082	4	Clip, Cable 2-7/8 X 1 X 1
13	ACUDA1C03804416 NU	2	3/8 X 44MM HEX BOLT
14	ACUP08-0085	4	Spacer, FLNG 3/8 ID X 5/8 OD X 9/16
39	ACUDA1C03806316 NU	2	3/8-16 X 63MM UNS HEX FHB G2 ZN

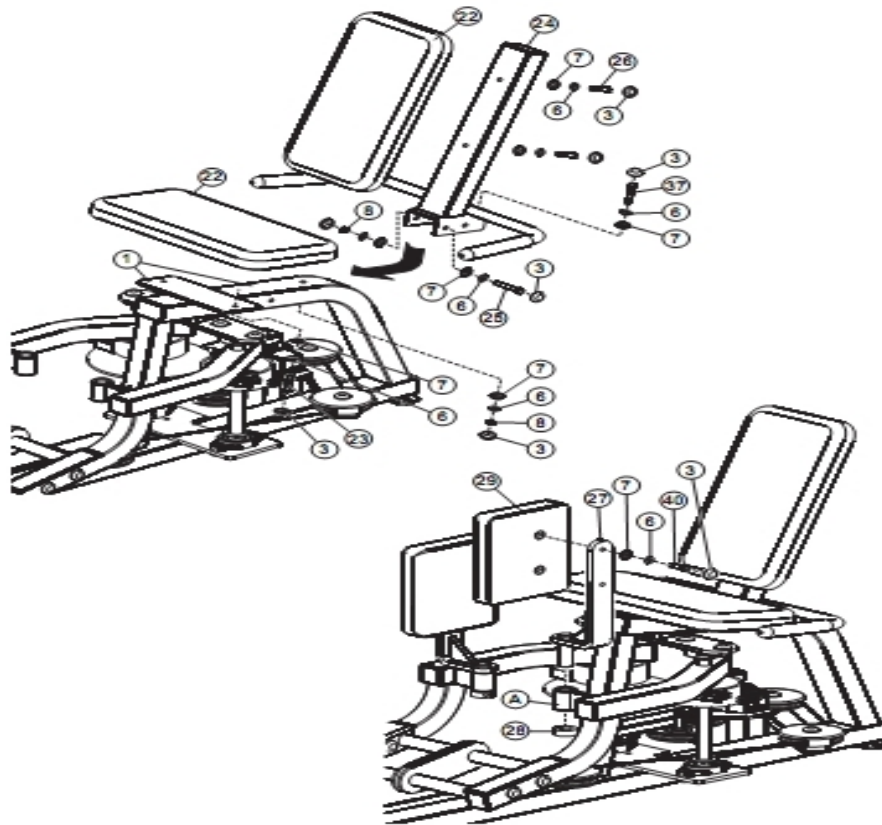
Ref #	Part Number	Qty	Description
41	ACUDA1C03804916 NU	2	3/8-16 X 49MM UNS HEX FHB G2 ZN

Component Assembly 2



Ref #	Part Number	Qty	Description
2	ACUAP04-0735PLT	1	Painted Assembly, Tower FSHAA (Plate)
2	ACUAP04-0735WHT	1	NLA: PTD ASSY, TOWER FSHAA (WHT)
8	ACUDB2E03807200 U	13	Hardware: Nylon Nut - 3/8 X 7.2T
9	ACU13-0104	1	Cable, BC-TP1, T2
11	ACUDA1C03806716 NU	2	3/8 X 67MM Bolt
15	ACUP01-1036	2	Guide Rod, Plated 3/4 11GA X 51 (Chrome)
16	ACUA06-0304	2	Cushion, Weight Stack 3/4 ID
17	ACU7935201	20	Assembly, Weight Plate, 10LB, Caststeel
18	ACU10-0053	1	Painted, Assembly., Head Plate 20 Hole/ FLFLY
19	ACUA05-0212	2	Shaft Collar, 13-16 ID Zinc
20	ACUA04-1639PLT	1	Weldment, Guide Rod Support (Plate)
20	ACUA04-1639WHT	1	WLDMT, GUIDE ROD SUPPORT (WHT)
21	ACU11-0048	1	Selector Pin
42	ACUDC125010020U	4	Washer, Flat 3/8 ID SAE BZ/ 25X10X2.0

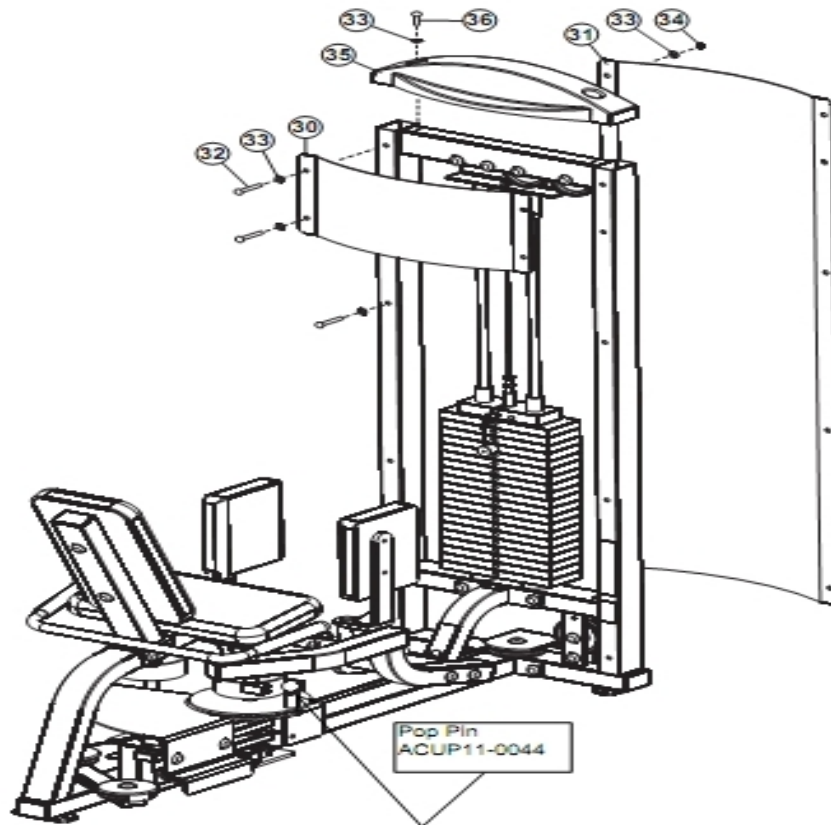
Component Assembly 3



Ref #	Part Number	Qty	Description
1	ACUAP04-0736PLT	1	Painted Assembly, Base FSHAA (Plate)
1	ACUAP04-0736WHT	1	PTD ASSY, BASE FSHAA (WHT)
3	ACU06-0021PLT	26	Right Cap Platinum
3	ACU06-0021WHT	26	Right Cap White
6	ACUDC120010510U	26	Hardware: Washer, Flat 3/8" SAE ST ZN - 20 X 10.5
7	ACUP05-0009	26	3/8 Right Washer
8	ACUDB2E03807200 U	13	Hardware: Nylon Nut - 3/8 X 7.2T
22	ACUP07-0082	2	Pad, STCH 18-1/2 X 9-3/4
23	ACUDA1C03803216 NU	2	HEX Bolt - 3/8 X 32L
24	ACUAP04-0742WHT	1	Painted Assembly, Back Pad Support (White)
24	ACUAP04-0742PLT	1	Painted Assembly, Back Pad Support (Plate)
26	ACUDA1C03807616 NU	2	3/8-16 X 76MM UNS HEX FHB G2 ZN
27	ACUP04-0739PLT	2	Weldment, Knee Pad Support (Plate)
27	ACUP04-0739WHT	2	Weldment, Knee Pad Support (White)
28	ACUP05-0248	2	Shaft Collar, Single Split 1" ID
29	ACUP07-0001	2	Lumbar Pad; 203W X 254L
37	ACUDA1C03806516 NU	1	3/8-16 X 65MM UNS HEX FHB G2 ZN
40	ACUDA1C03803616	4	3/8-16 X 36MM UNS HEX FHB G2 ZN

Ref #	Part Number	Qty	Description
	NU		

Component Assembly 4



Ref #	Part Number	Qty	Description
30	ACUA10-0227	1	Painted Assembly, FSHAA Tower Shroud F10 (BR3)
31	ACUA10-0230	1	Painted Assembly, FS, Tower Shroud R64 (BR3)
32	ACUDAEC03809016 NB	10	Button HD Alle Screw-3/8X90L
33	ACUDC125010020B	22	Hardware: Washer, Flat 3/8 Id SAE BZ
34	ACUA05-0443	10	Nut, Acorn 3/8-16 BZ
35	ACUAP06-0257	1	Assembly, Fit Series, Tower Cap
36	ACUDAEC03802516 NB	2	3/8 X 25MM Button Head Allen S

Miscellaneous

Ref #	Part Number	Qty	Description
25	ACUDA1C03809516 NU	1	3/8-16 X 95MM UNS HEX FHB G2 ZN
43	ACUMD000132	1	Label, Weight Stack 1-21
-	ACUHB-FSHAAPLT	1	HARDWARE AND ACCESSORY BAG PLT
-	ACUP11-0044	1	Assembly, Spring Pin 1/2 Diameter X 3-1/2
-	ACUAP04-0744PLT	1	Painted Assembly, Hab Pivot Arm (Plate)
-	ACUAP04-0741WHT	1	Painted Assembly, Lead Pivot Arm (White)
-	ACUAP04-0737PLT	1	Painted Assembly, Pivot Arm Right (Plate)
-	ACUAP04-0737WHT	1	Painted Assembly, Pivot Arm Right (White)
-	ACUAP04-0740PLT	1	Painted Assembly, Had Pivot Arm (Plate)
-	ACUAP04-0740WHT	1	PTD ASSY, HAD PIVOT ARM (WHT)
-	ACUMD000059	1	Label, Weight Stack 1-26
-	ACUAP04-0738PLT	1	Painted Assembly, Pivot Arm Left (Plate)
-	ACUAP04-0741PLT	1	PTD ASSY, LEAD PIVOT ARM (PLT)
-	ACUAP04-0744WHT	1	PTD ASSY, HAB PIVOT ARM (WHT)
-	ACUAP04-0738WHT	1	PTD ASSY, PIVOT ARM LEFT (WHT)
-	ACUP13-0103	2	Cable, BE-TP1, T2,
-	ACUHB-FSHAAWHT	1	HARDWARE AND ACCESSORY BAG WHT

