

Signature Series Single - Assist Dip Chin

FZADC

Parts Manual

1/5/2019 13:46:46 PM



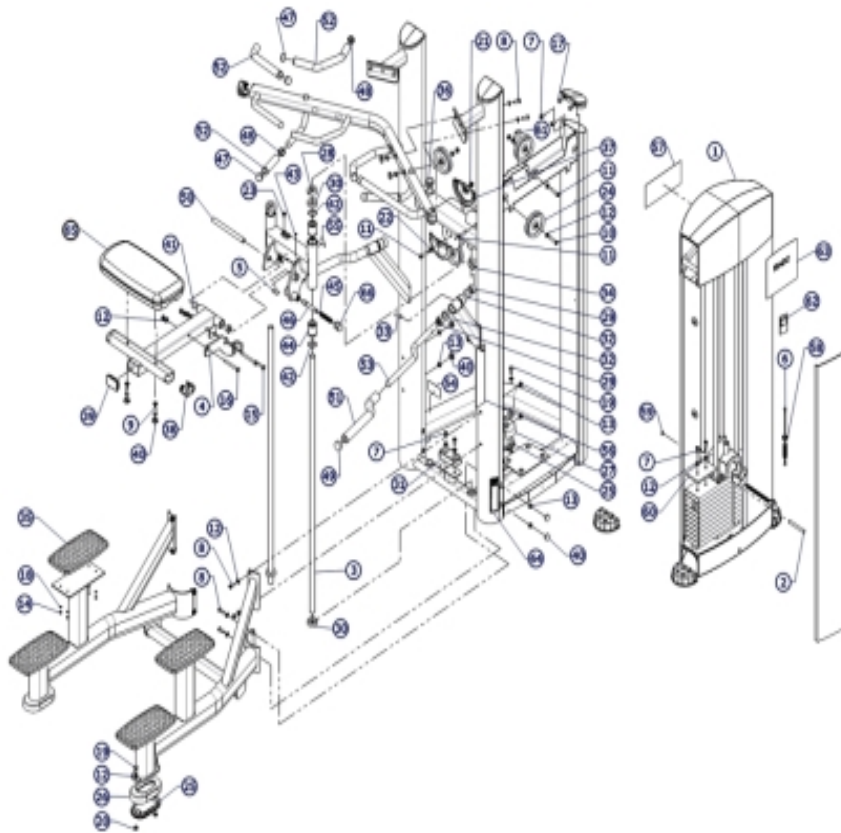
Table of Contents

Components Assembly	3
Head Plate Assembly	5
Painted Components	7
Stackwraps Shroud	8
Standard Plastic Tower Assembly	9
Standard Weight Stack Assembly	10
Tower Assembly	11
10Lb Increment Weight Assembly	12
15Lb Increment Weight Assembly	13
5Lb Increment Weight Assembly	14

** Upholstery & Frame Colors are listed at the end of the Parts Manual **

** Shroud Options are listed at the end of the Parts Manual **

Components Assembly



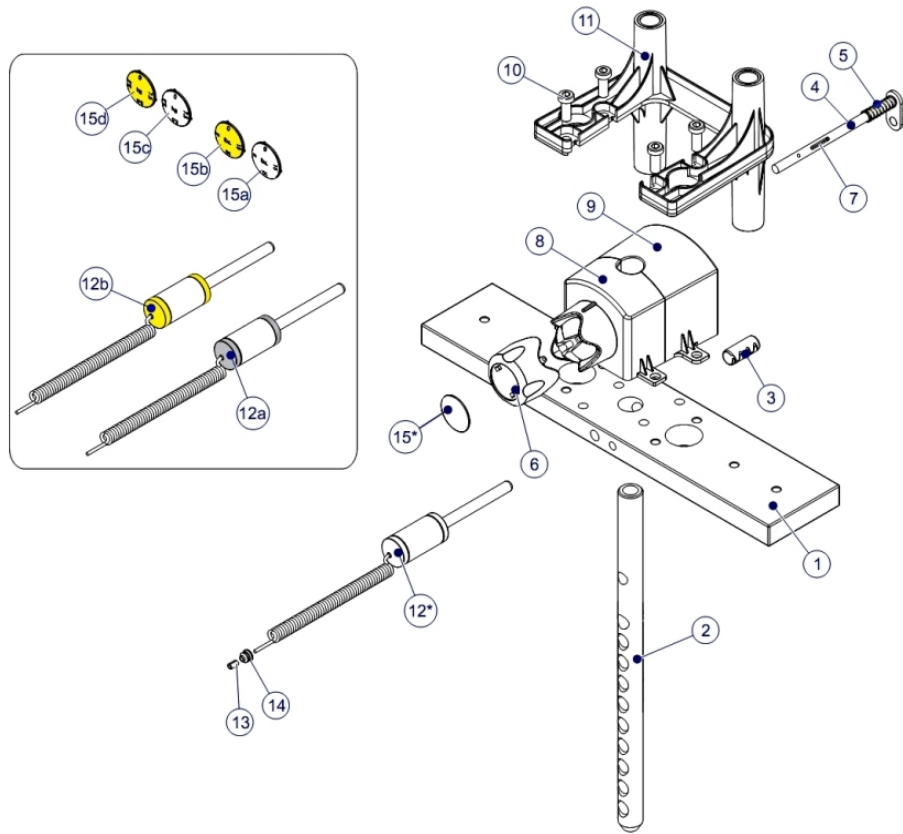
Ref #	Part Number	Qty	Description
2	7564501	1	Pin FZ/PS Weight Plate
3	7619801	2	Guide Rod 1" Diameter Case Hardned X 52"
4	8942201	1	Striker Plate FZADC
5	7570801	1	Guard Paint 1.25 X .75 X .25
6	7423727	1	Cable FZADC 82-1/2"
7	3236201	12	Hardware: Screw 20MM
8	3236202	12	Hardware: Screw 25MM
9	3236204	2	Hardware: Screw 35MM
10	3236206	1	Hardware: Screw 45MM
11	3236207	3	Hardware: Screw 50MM
12	3273303	38	Hardware: WasherR, 3/8, THRU-HARDENED
13	3236801	17	Hardware: Nut 10 MM ID
14	3236802	16	Hardware: Nut 6 MM ID
15	3238304	1	Hardware: Screw 35MM
16	3238317	2	Hardware: Screw 100MM
17	3238601	6	Blind Thread Insert - 1.5"
18	3241801	16	Flat Washer 6MM
19	3251202	6	Hardware: Screw 25MM
20	3254703	6	Hardware: Nut 10 MM ID
21	7335401	1	Hardware: Nut 10 MM ID
22	7630101	1	Retainer CM/MJ Pulley
23	3271801	1	Hardware: Set Screw 16MM

Ref #	Part Number	Qty	Description
24	3237801	4	Pulley 4.5" OD
25	7334001	3	Foot 2.50 X 4.49 Flov 10-0074-046 BNR
26	7340201	2	Cover Foot - Straight
27	7419601	1	Foot Cover - 20 Degrees
28	7901101	2	Shaft Collar 1 IN Alum
29	7435301	4	Collar Shaft 1.020 ID
30	7946201	4	Bumper PSADC Carriage
31	8832301	1	Small Bumper
32	3104903	4	Bearing 1" ID 1.25" OD
33	3110004	2	Roll Pin 3/8" D X 1-1/2" L
34	3242601	2	End Cap
35	LEA7640301	4	Foot Pad CM/MJ Overmold
36	3119306	1	End Cap 1.5" D
37	8094101	2	Pulley Cover Partial
38	7333801	4	End Cap FLOV Small
39	7352301	1	End Cap
40	3237403	12	Plug 1" Hole
41	3104901	2	Bearing 3/4" ID 1" OD
42	3202601	4	Reatining Ring1/16" D
43	3242901	2	Set Screw 5/16 X 1/4
44	3245601	4	Linear Bearing
45	7351501	1	Pull Pin Spring
46	7351301	1	Pull Pin
47	7662901	6	Grip Cap
48	7662801	4	Grip Ring 1.25"
49	7662902	2	Grip Cap
50	8939601	1	Shaft FZADC Foot Bar Pivot
51	3235802	1	Grip 1.5" OD
52	3235801	1	Grip - 1.25" OD
53	8941901	2	Bent Round Tube FZDAC
54	7571301	1	Label Serial Number
55	8039501	2	Label Warning Triangle 10-0099-067 BNR
56	8343101	1	Tag - Bolt To Floor
57	8901801	1	Label FZADC Logo
58	3236902	1	Hardware: Nut 16 MM ID
59	3243901	1	Ring11 MM
60	8934801	2	Incremental Weight Plate FZADC
61	6757701	1	Cable Clip
62	9309801	1	LABEL, FZADC, NFC-QR TAG
63	8901411	1	Label FZADC Placard - Turkish
63	8901405	1	Label FZADC Placard - Italian
63	8901407	1	Label FZADC Placard - Japanese
63	8901410	1	Label FZADC Placard - Russian
63	8901402	1	Label FZADC Placard - German
63	8901406	1	Label FZADC Placard - Dutch
63	8901401	1	Label FZADC Placard - English
63	8901408	1	Label FZADC Placard - Portugese
63	8901404	1	Label FZADC Placard - Spanish
63	8901403	1	Label FZADC Placard - French
64	8220099	1	Label, ASTM, Select Vertical - Custom
65	7468999	1	ASSY, PAD 18 X 9 CONVEX Custom
66B	7424803	1	KNOB TULIP STYLE
66A	7424801	1	Pop Pin Knob

** Upholstery and Frame Colors are list at the end of the Parts Manual **

** Shroud Options are list at the end of the Parts Manual **

Head Plate Assembly

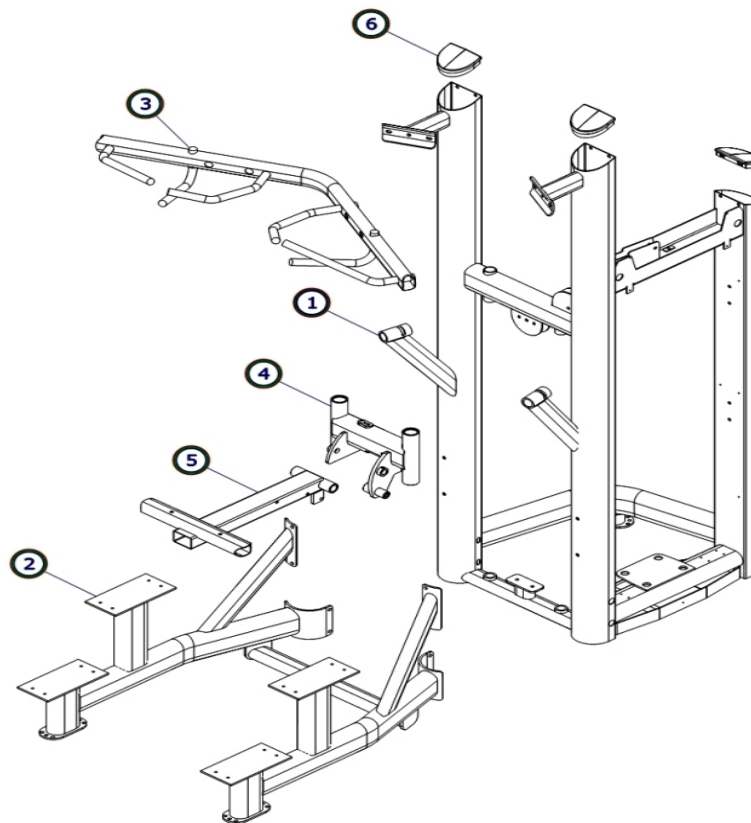


Ref #	Part Number	Qty	Description
1	8934601	1	Head Plate 20 Lbs
2	7347801	1	Stem 9 Plate
3	3236001	1	SpringPin Bushing
4	7327201	1	Increment Weight Pin
5	8024501	1	Spring
6	7326101	1	Incremental Weight Selector Knob
7	3110008	1	Roll Pin 1/8" D 1-1/4" L
8	7326401	1	Selector Housing - Front
9	7326501	1	Selector Housing - Rear
10	3236202	4	Hardware: Screw 25MM
11	8867301	1	Assembly FZ Stabilizer with Bushings
12B	7338103	1	Weight Stack Selector Pin
12A	7338101	1	Weight Stack Selector Pin
13	7523601	1	Crimp Cable
14	7356501	1	Plug Lanyard Attachment
15A	7398601	1	Selector Knob Cap - 5 LBS Silver
15C	7398701	1	Selector Knob Cap - 2.5 KG Silver
15D	7398703	1	Selector Knob Cap - 2.5 KG Yellow
15B	7398603	1	Selector Knob Cap - 5 LBS Yellow

** Upholstery and Frame Colors are list at the end of the Parts Manual **

** Shroud Options are list at the end of the Parts Manual **

Painted Components

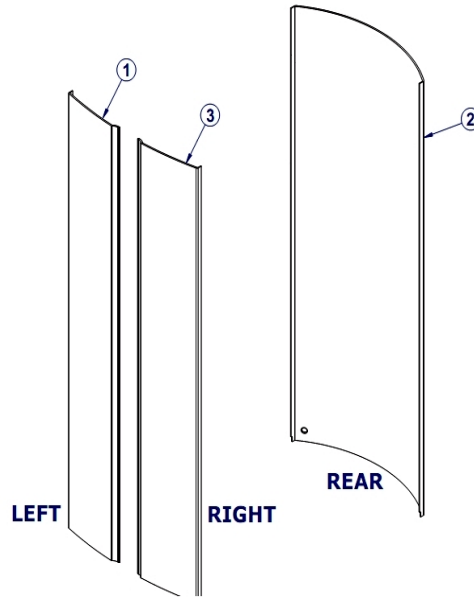


Ref #	Part Number	Qty	Description
2	8940599	1	Weldment, FZADC, Lower Base Custom
3	8940099	1	Weldment, FZADC, Chin up Custom
4	8938499	1	Weldment, FZADC, Carriage Custom
5	8939199	1	Weldment, FZADC, Foot Bar Custom
6	7326299	3	Cap, D-Tube-Top Custom

** Upholstery and Frame Colors are list at the end of the Parts Manual **

** Shroud Options are list at the end of the Parts Manual **

Stackwraps Shroud

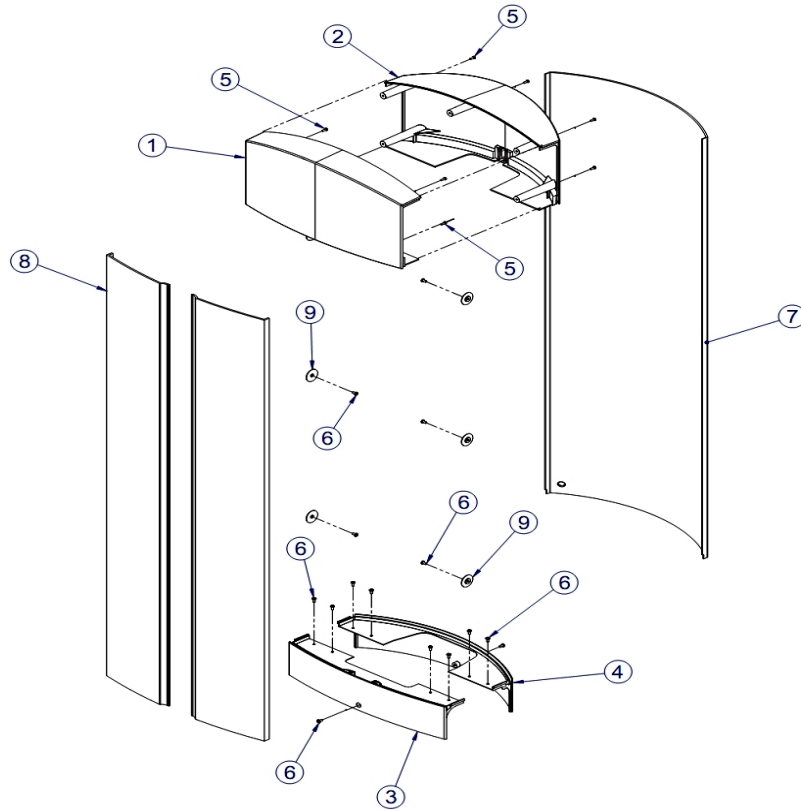


Ref #	Part Number	Qty	Description
1	8954402	1	Shroud FZ Front Tall Left -Bronze
1	8954202	1	Shroud FZ Front Tall Left -Bamboo
1	8954502	1	Shroud FZ Front Tall Left -Stem
1	8954602	1	Shroud FZ Front Tall Left -Rosewood
1	8954702	1	Shroud FZ Front Tall Left -Stainless Steel
1	8954302	1	Shroud FZ Front Tall Left -Sky
2	8949302	1	Shroud FZ Rear Tall -Sky
2	8950102	1	Shroud FZ Rear Tall -Stainless Steel
2	8949902	1	Shroud FZ Rear Tall -Rosewood
2	8949102	1	Shroud FZ Rear Tall -Bamboo
2	8949702	1	Shroud FZ Rear Tall -Stem
2	8949502	1	Shroud FZ Rear Tall -Bronze
3	8949602	1	Shroud FZ Front Tall Right -Stem
3	8949202	1	Shroud FZ Front Tall Right -Sky
3	8949802	1	Shroud FZ Front Tall Right -Rosewood
3	8949002	1	Shroud FZ Front Tall Right -Bamboo
3	8950002	1	Shroud FZ Front Tall Right -Stainless Steel
3	8949402	1	Shroud FZ Front Tall Right -Bronze

** Upholstery and Frame Colors are list at the end of the Parts Manual **

** Shroud Options are list at the end of the Parts Manual **

Standard Plastic Tower Assembly



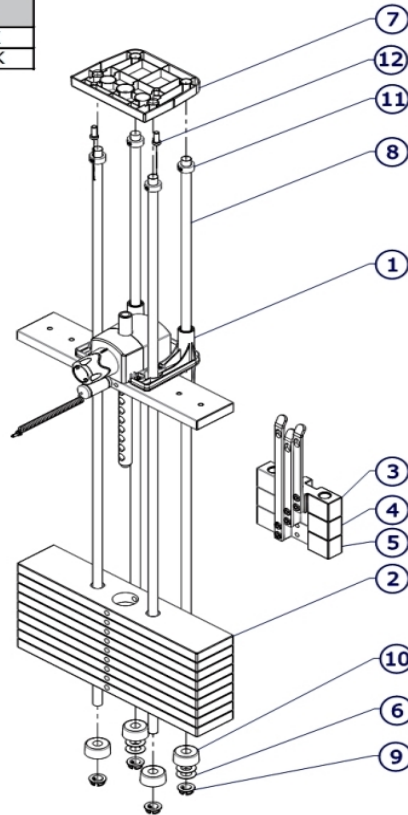
Ref #	Part Number	Qty	Description
1	7318601	1	Cover Tower-Top Front
2	7318701	1	Cover Tower - Top Rear
3	7318801	1	Cover Tower-Bottom Front
4	7318901	1	Cover Tower-Bottom Rear
5	3236501	9	Hardware: Nut 0.7" ID
6	3239101	16	Hardware: Phillips Pan Screw
7	7765702	1	Tower Shroud-Rear Long
8	7765602	2	Tower Shroud-Front Long
9	7583501	6	Retainer FZ Shroud

** Upholstery and Frame Colors are list at the end of the Parts Manual **

** Shroud Options are list at the end of the Parts Manual **

Standard Weight Stack Assembly

PART NUMBER	DESCRIPTION
7927201	LABEL, 390 LB STACK
7927301	LABEL, 195 KG STACK

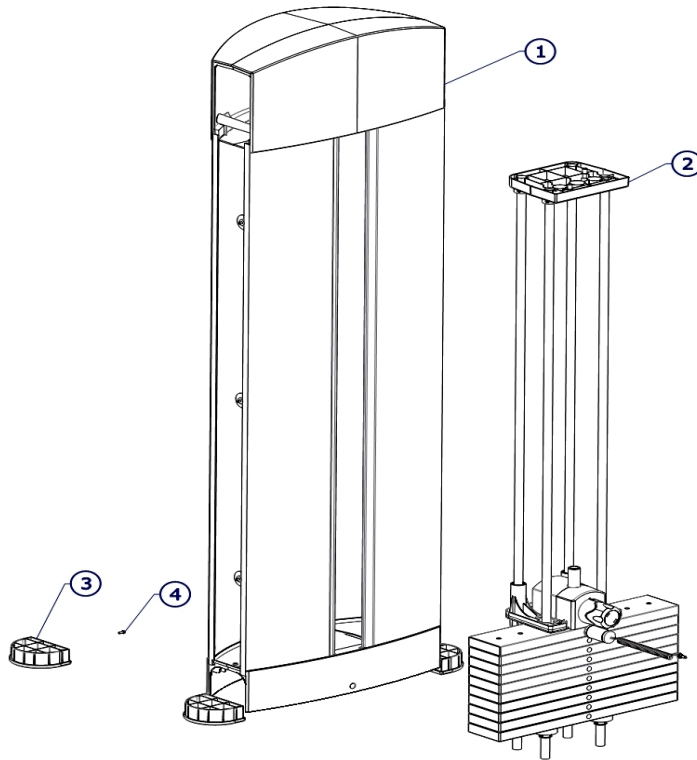


Ref #	Part Number	Qty	Description
1	8989801	1	Assembly 20 Lb Head Plate (9)
2	7328401	9	Weight Plate 20 LB
3	7327601	1	Assembly Increment Weight-5LB
4	7327701	1	Assembly Increment Weight-10LB
5	7327801	1	Assembly Increment Weight-15LB
6	7351001	4	Spacer Increment Weight Stack
7	7621101	1	Guide Rod Retainer Top
8	7328606	4	Guide Rod .75 OD Solid X 59.63
9	7337901	4	Bushing Guide Rod
10	7352101	4	Cushion Weight Stack
11	3103301	4	Shaft Collar 3/4" ID Zinc
12	3236202	2	Hardware: Screw 25MM
-	7927201	1	Label 390 LB Stack
-	7927301	1	Label 195 KG Stack

** Upholstery and Frame Colors are list at the end of the Parts Manual **

** Shroud Options are list at the end of the Parts Manual **

Tower Assembly

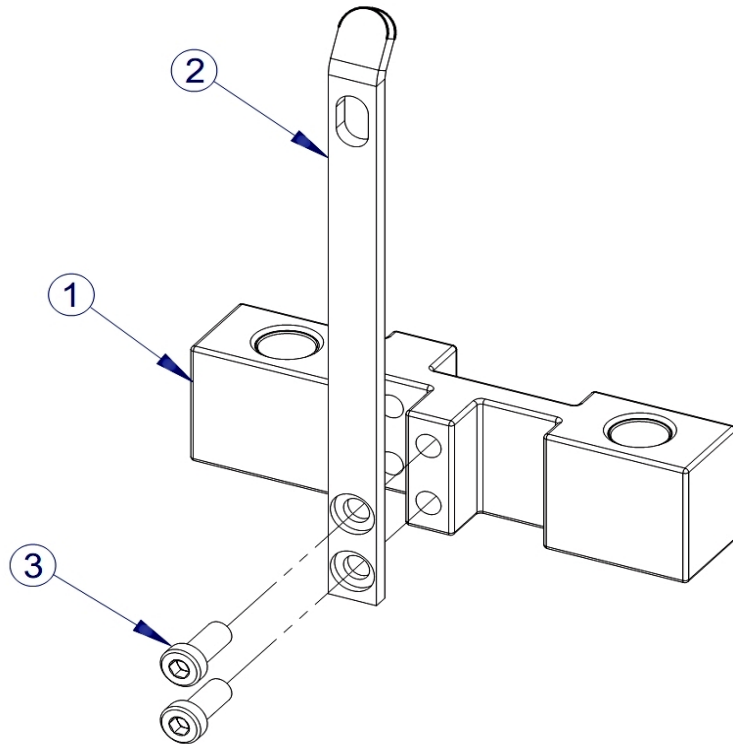


Ref #	Part Number	Qty	Description
3	7326301	3	Cap D-Tube-Bottom
4	3273501	3	M4 PHL PAN C ST ZN

** Upholstery and Frame Colors are list at the end of the Parts Manual **

** Shroud Options are list at the end of the Parts Manual **

10Lb Increment Weight Assembly

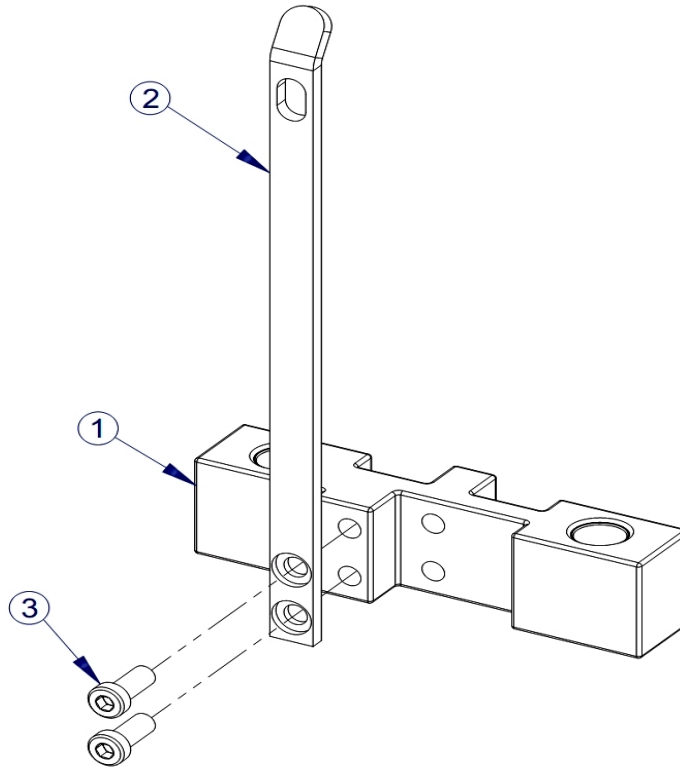


Ref #	Part Number	Qty	Description
1	7968501	1	Assembly FZ Inc Weight 5LB
2	7328101	1	Bracket Increment Weight-10LB
3	3236202	2	Hardware: Screw 25MM

** Upholstery and Frame Colors are list at the end of the Parts Manual **

** Shroud Options are list at the end of the Parts Manual **

15Lb Increment Weight Assembly

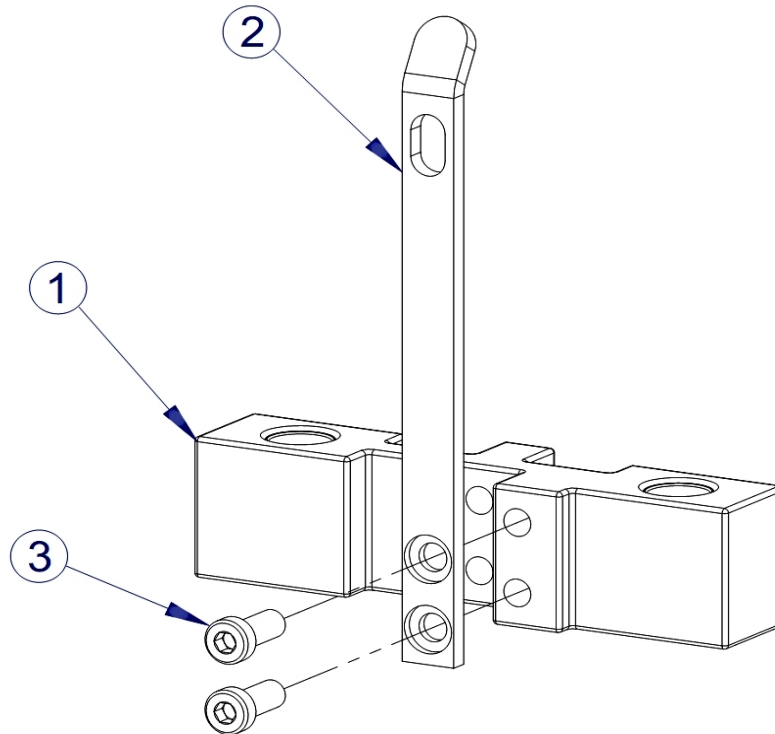


Ref #	Part Number	Qty	Description
1	7968501	1	Assembly FZ Inc Weight 5LB
2	7328201	1	Bracket Increment Weight-15LB
3	3236202	2	Hardware: Screw 25MM

** Upholstery and Frame Colors are list at the end of the Parts Manual **

** Shroud Options are list at the end of the Parts Manual **

5Lb Increment Weight Assembly



Ref #	Part Number	Qty	Description
1	7968501	1	Assembly FZ Inc Weight 5LB
2	7328001	1	Bracket Increment Weight-5LB
3	3236202	2	Hardware: Screw 25MM

** Upholstery and Frame Colors are list at the end of the Parts Manual **

** Shroud Options are list at the end of the Parts Manual **

Frame and Upholstery Color Chart

Frame Colors



Note: Include frame color in order notes when ordering frame assemblies or weldments.

Upholstery Colors



Replace '99' with the above color suffix when ordering pads (i.e. 7412399 = 7412301 BLACK)

Shroud Options Chart

STANDARD SHROUD NO WRAP



TRANSLUCENT



OPTIONAL StackWraps™

SHROUD + WRAP

BAMBOO



BRONZE



ROSEWOOD



SKY



STAINLESS
STEEL



STEM



CO-BRANDED StackWraps™

SHROUD + WRAP

(refer to co-branded parts list)



PLANET FITNESS

blink FITNESS



BLINK FITNESS



RETRO FITNESS