

Signature Series Single - Back Extension

FZBE

Parts Manual

1/5/2019 13:46:48 PM



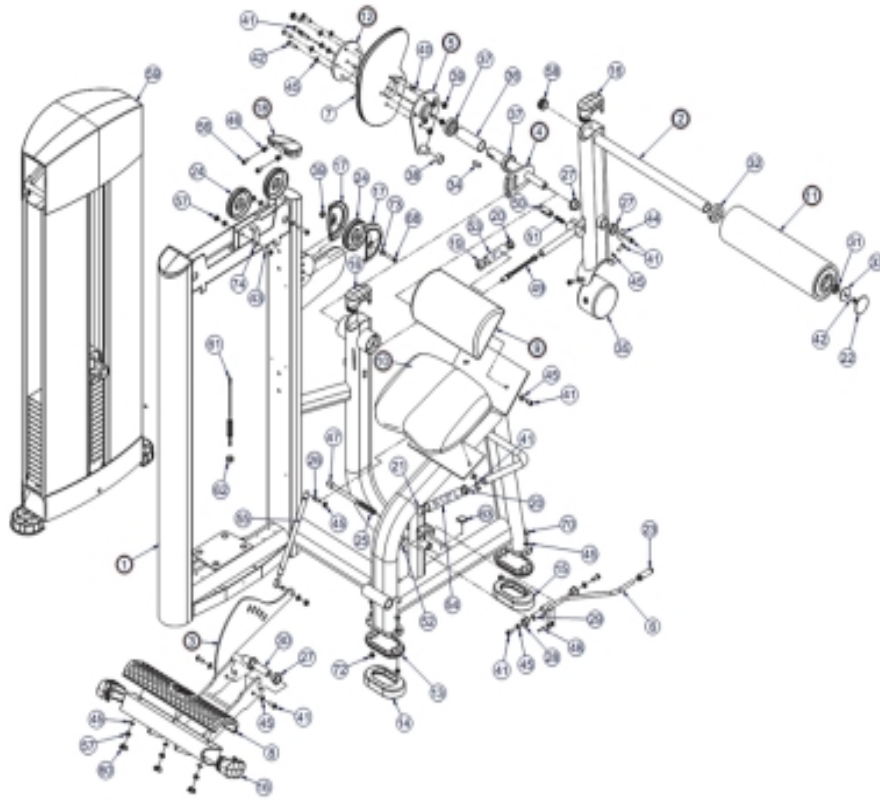
Table of Contents

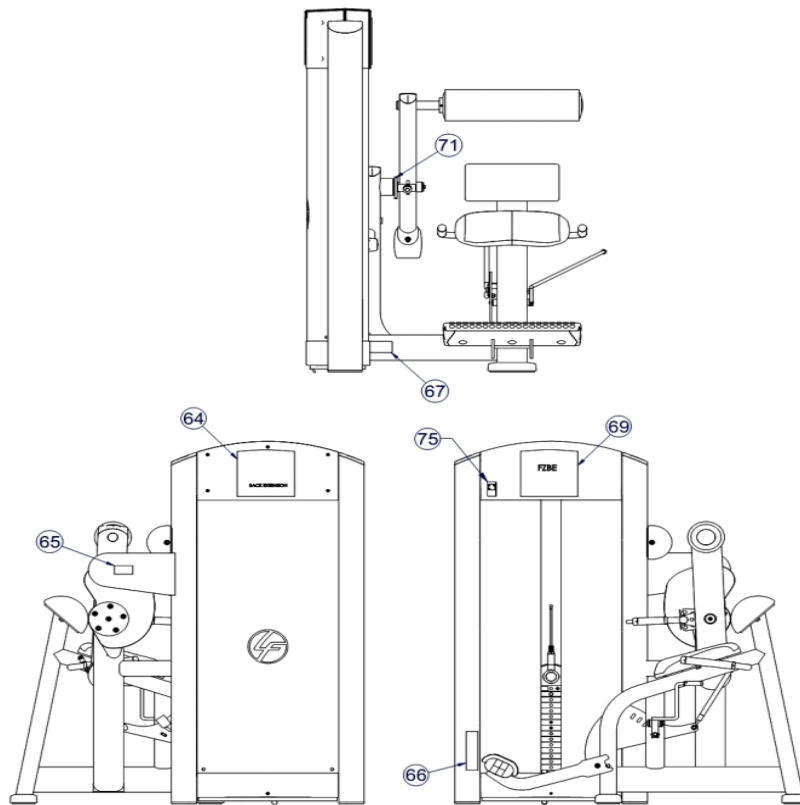
Component Assembly	3
Head Plate Assembly	7
MID-14 Tower Assembly	9
MID-14 Weight Stack Assembly	10
Optional Light MID-14 Weight Stack Assembly	11
Optional 2.5Lb Increment Weight Assembly	12
Optional 5Lb Increment Weight Assembly	13
Optional 7.5Lb Increment Weight Assembly	14
Plastic Tower Assembly	15
Stackwraps Shroud	16
10Lb Increment Weight Assembly	17
15Lb Increment Weight Assembly	18
5Lb Increment Weight Assembly	19

** Upholstery & Frame Colors are listed at the end of the Parts Manual **

** Shroud Options are listed at the end of the Parts Manual **

Component Assembly





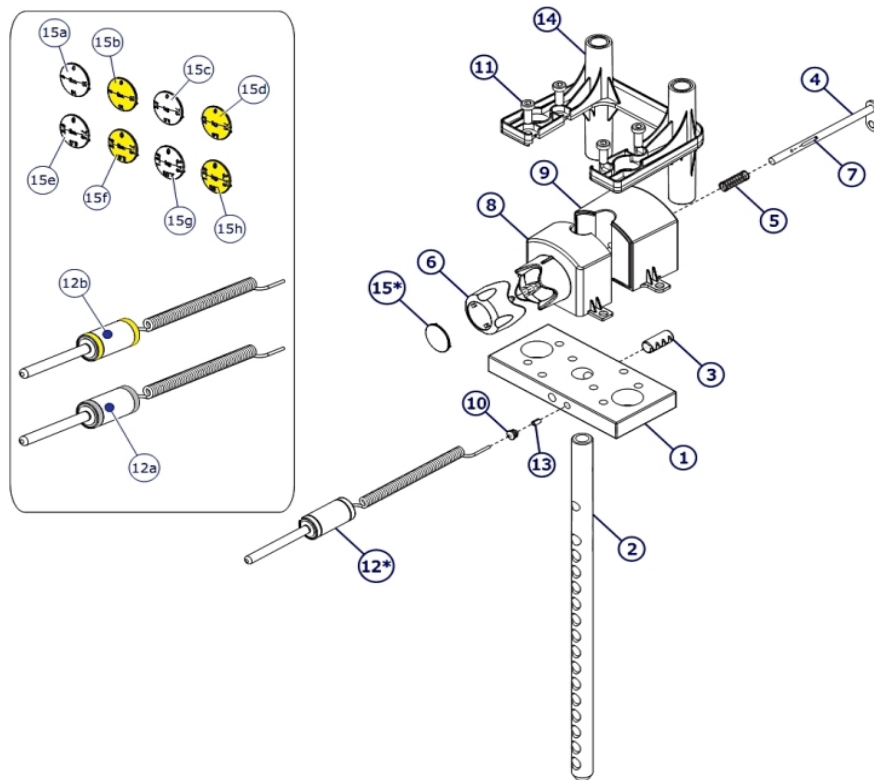
Ref #	Part Number	Qty	Description
2	8029199	1	Weldment, FZBE Work Arm Custom
3	7598999	1	Weldment, FZBE Foot Bar Custom
4	7774899	1	Weldment, FZSLC/BE Adj Start Custom
5	7599899	1	Weldment, FZBE Cam Stop Custom
6	7614095	1	Weldment FZBE Handle Pivot
7	7523501	1	Cam FZBE
8	7523701	1	Footplate Overmolded
9	7626499	1	PAD, LUMBAR, NO BACKER, SNGL STITCH Custom
10	7297299	1	PAD, LARGE CHAIR, SNGL STITCH Custom
11	7392899	1	ASSY, ROLLER PAD LONG Custom
12	7329199	1	Plate, FZ, Cam Cover Custom
13	7334001	2	Foot 2.50 X 4.49 Flov 10-0074-046 BNR
14	7340201	1	Cover Foot - Straight
15	7419701	1	Cover Foot 10 Deg
16	7333901	4	End Cap FLOV Large
17	8094101	2	Pulley Cover Partial
18	7326299	2	Cap, D-Tube-Top Custom
19	7663001	1	Grip Cap
20	7662801	3	Grip Ring 1.25"
21	7662901	2	Grip Cap
22	7308701	1	Cap Bearing Housing
23	7681901	1	Remote Handle Shadow Gray
23	7681903	1	Remote Handle Yellow
24	3237801	3	Pulley 4.5" OD
25	7748701	1	Spring for Pull Pin-Strong
26	7414301	2	Stud M10 Ball End M10 X 1.5
27	3104903	4	Bearing 1" ID 1.25" OD
28	3104901	2	Bearing 3/4" ID 1" OD
29	7324802	1	Shaft Tapped 0.75 Diameter X 1.80

Ref #	Part Number	Qty	Description
30	7324902	1	Shaft Tapped 1" D 5.33"
31	7347301	1	Hardware: Nut 10 MM ID
32	7357901	1	Shaft Collar
33	7322301	1	Plate 1.97 OD X .447 ID 10 GA
34	7511601	1	Key .375 Square X 1.25
35	7801901	1	Small Counter Weight-Coated
36	7511504	1	Spacer FZ/PS Internal
37	3243201	2	Ball Bearing
38	7690101	1	Bumper Sleeve- 1.000 ID
39	7335401	6	Hardware: Nut 10 MM ID
40	7342201	1	Plate Cable End
41	3236202	12	Hardware: Screw 25MM
42	3236204	6	Hardware: Screw 35MM
43	3236206	2	Hardware: Screw 45MM
44	3236701	1	Fender Washer 3/8"
45	3273303	28	Hardware: WasherR, 3/8, THRU-HARDENED
46	3238601	4	Blind Thread Insert - 1.5"
47	7767101	1	Pull Pin
48	3110011	1	Roll Pin 3/16" D X 1-1/4" L
49	7780103	1	Push Pin Rod
49	7780101	1	Rod Push Pin
50	8032401	1	Push Pin
51	8024501	1	Spring
52	6140701	1	Glide 1 X 1
53,54	3235801	3	Grip - 1.25" OD
55	3235701	1	Gas Spring
56	3236201	4	Hardware: Screw 20MM
57	3236801	6	Hardware: Nut 10 MM ID
58	3119306	1	End Cap 1.5" D
60	3237403	3	Plug 1" Hole
61	7423718	1	Cable FZBE 83-1/2"
62	3236902	1	Hardware: Nut 16 MM ID
63	LEA3116001	1	Bumper; Rubber 1-1/4 SQ
64	7648101	1	Label FZBE Logo
65	8039501	1	Label Warning Triangle 10-0099-067 BNR
66	7422004	1	Label 2" ASTM Warning
67	7571301	1	Label Serial Number
68	3236207	1	Hardware: Screw 50MM
69	7648001	1	Label FZBE Placard English
69	7648006	1	LABEL, FZBE PLACARD DUT
69	7648004	1	Label, FZBE Placard Spanish
69	7648010	1	Label, FZBE Placard Russian
69	7648007	1	Label, FZBE Placard Japanese
69	7648009	1	LABEL, FZBE PLACARD SWE
69	7648002	1	Label, FZBE Placard German
69	7648005	1	Label, FZBE Placard Italian
69	7648008	1	LABEL, FZBE PLACARD POR
69	7648003	1	LABEL, FZBE PLACARD FRN
70	3251202	4	Hardware: Screw 25MM
71	7777901	1	Label 1-5 Straight
72	3254703	4	Hardware: Nut 10 MM ID
73	7630101	1	Retainer CM/MJ Pulley
74	6757701	1	Cable Clip
75	9310001	1	LABEL, FZBE, NFC-QR TAG

** Upholstery and Frame Colors are list at the end of the Parts Manual **

** Shroud Options are list at the end of the Parts Manual **

Head Plate Assembly



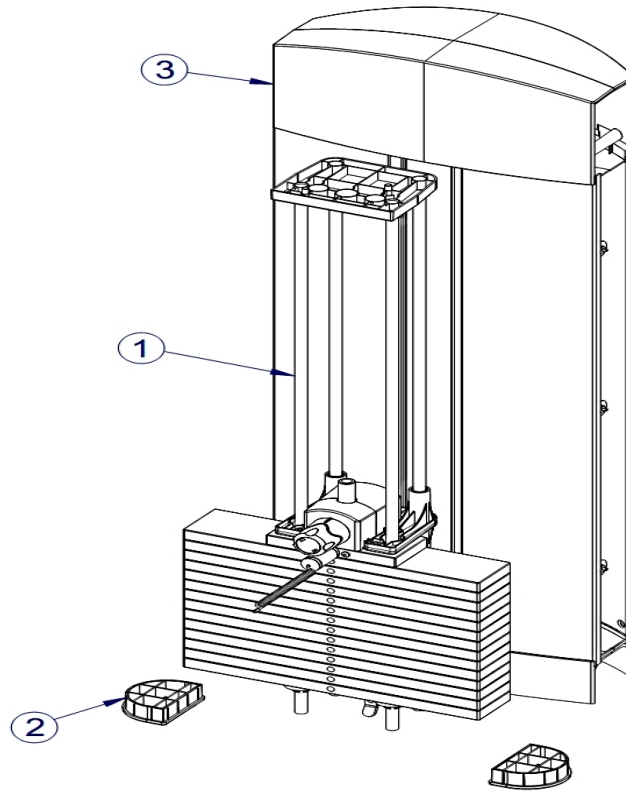
Ref #	Part Number	Qty	Description
1	7326701	1	Head Plate
2	7328901	1	Stem 14 Plate
3	3236001	1	SpringPin Bushing
4	7327201	1	Incremental Weight Pin
5	8024501	1	Spring
6	7326101	1	Incremental Weight Selector Knob
7	3110008	1	Roll Pin 1/8" D 1-1/4" L
8	7326401	1	Selector Housing - Front
9	7326501	1	Selector Housing - Rear
10	7356501	1	Plug Lanyard Attachment
11	3236202	4	Hardware: Screw 25MM
12A	7338101	1	Weight Stack Selector Pin
12B	7338103	1	Weight Stack Selector Pin
13	7523601	1	Crimp Cable
14	8867301	1	Assembly FZ Stabilizer with Bushings
15E	8865801	1	FZ Selector Knob Cap - 2.5 LBS Silver
15A	7398601	1	Selector Knob Cap - 5 LBS Silver
15H	8946503	1	CAP, FZ SELECTOR KNOB - 1.25 KG, YELLOW
15D	7398703	1	Selector Knob Cap - 2.5 KG Yellow
15F	8865803	1	FZ Selector Knob Cap - 2.5 LBS Yellow
15G	8946501	1	CAP, FZ SELECTOR KNOB - 1.25 KG, SILVER
15C	7398701	1	Selector Knob Cap - 2.5 KG Silver

Ref #	Part Number	Qty	Description
15B	7398603	1	Selector Knob Cap - 5 LBS Yellow

** Upholstery and Frame Colors are list at the end of the Parts Manual **

** Shroud Options are list at the end of the Parts Manual **

MID-14 Tower Assembly



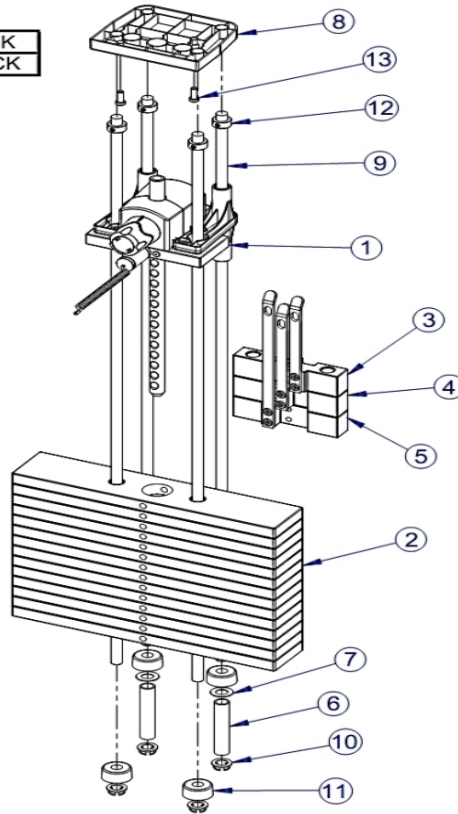
Ref #	Part Number	Qty	Description
2	7326301	2	Cap D-Tube-Bottom

** Upholstery and Frame Colors are list at the end of the Parts Manual **

** Shroud Options are list at the end of the Parts Manual **

MID-14 Weight Stack Assembly

WEIGHT STACK LABELS	
7927201	LABEL, 390 LB STACK
7927301	LABEL, 195 KG STACK



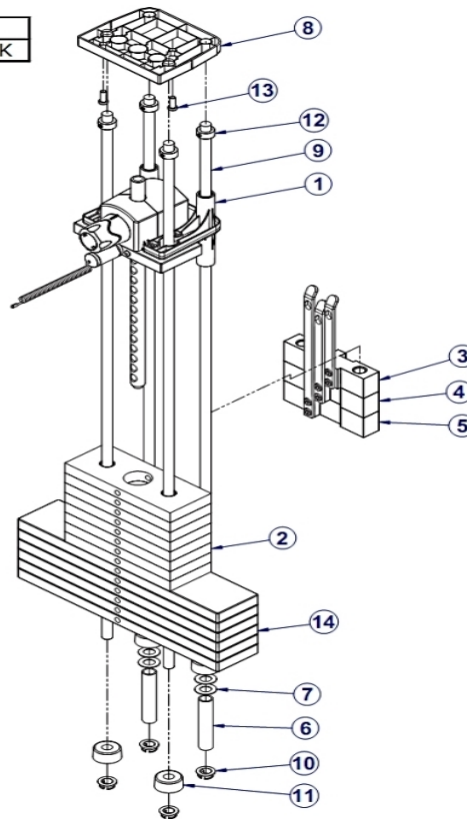
Ref #	Part Number	Qty	Description
1	7350701	1	Assembly Head Plate (14)
2	7328401	14	Weight Plate 20 LB
3	7327601	1	Assembly Increment Weight-5LB
4	7327701	1	Assembly Increment Weight-10LB
5	7327801	1	Assembly Increment Weight-15LB
6	7328701	2	Spacer Inc Weight Stack 14 Plate
7	7351001	2	Spacer Increment Weight Stack
8	7621101	1	Guide Rod Retainer Top
9	7328602	4	Guide Rod .75" OD 53.50" L
10	7337901	4	Bushing Guide Rod
11	7352101	4	Cushion Weight Stack
12	3103301	4	Shaft Collar 3/4" ID Zinc
13	3236202	2	Hardware: Screw 25MM
-	7927201	1	Label 390 LB Stack
-	7927301	1	Label 195 KG Stack

** Upholstery and Frame Colors are list at the end of the Parts Manual **

** Shroud Options are list at the end of the Parts Manual **

Optional Light MID-14 Weight Stack Assembly

WEIGHT STACK LABELS
8867001 LABEL, 310 LB STACK

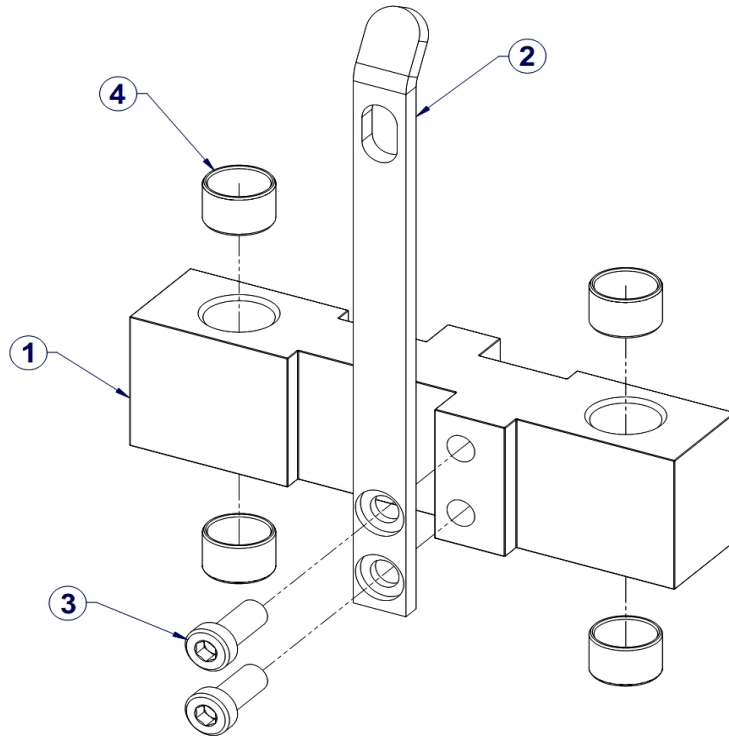


Ref #	Part Number	Qty	Description
1	7350701	1	Assembly Head Plate (14)
2	7353701	8	Weight Plate 10 LB
3	8861301	1	Assembly FZ Inc Weight - 2.5 LB
4	8861401	1	Assembly FZ Inc Weight - 5 LB
5	8861501	1	Assembly FZ Inc Weight - 7.5 LB
6	7328701	2	Spacer Inc Weight Stack 14 Plate
7	7351001	4	Spacer Increment Weight Stack
8	7621101	1	Guide Rod Retainer Top
9	7328602	4	Guide Rod .75" OD 53.50" L
10	7337901	4	Bushing Guide Rod
11	7352101	4	Cushion Weight Stack
12	3103301	4	Shaft Collar 3/4" ID Zinc
13	3236202	2	Hardware: Screw 25MM
14	7328401	6	Weight Plate 20 LB
-	8867001	1	Label 310 LB Stack

** Upholstery and Frame Colors are list at the end of the Parts Manual **

** Shroud Options are list at the end of the Parts Manual **

Optional 2.5Lb Increment Weight Assembly

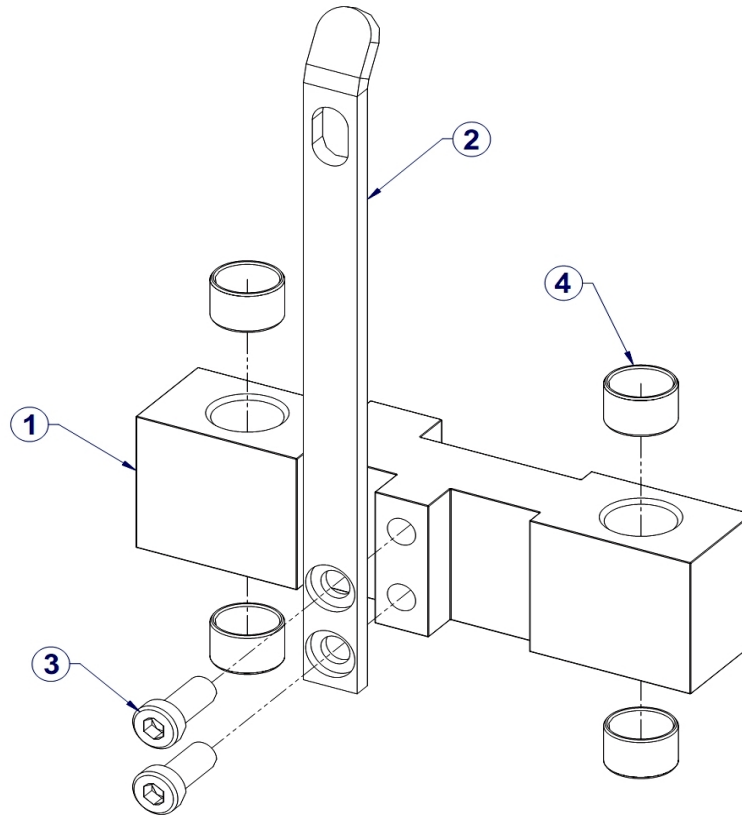


Ref #	Part Number	Qty	Description
1	8861295	1	Increment Weight
2	7328001	1	Bracket Increment Weight-5LB
3	3236202	2	Hardware: Screw 25MM
4	3202501	4	Bearing Sleeve

** Upholstery and Frame Colors are list at the end of the Parts Manual **

** Shroud Options are list at the end of the Parts Manual **

Optional 5Lb Increment Weight Assembly

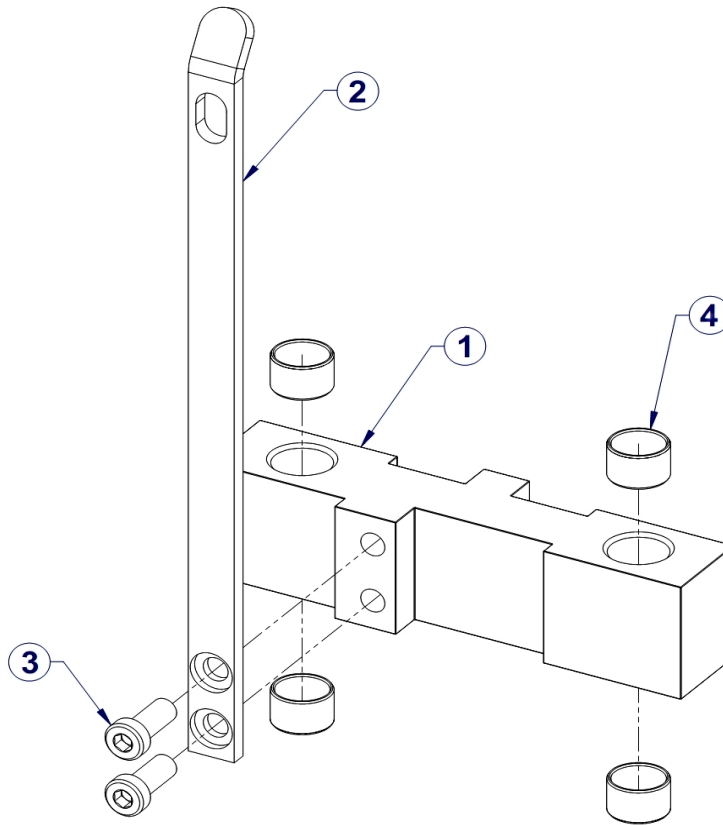


Ref #	Part Number	Qty	Description
1	8861295	1	Increment Weight
2	7328101	1	Bracket Increment Weight-10LB
3	3236202	2	Hardware: Screw 25MM
4	3202501	4	Bearing Sleeve

** Upholstery and Frame Colors are list at the end of the Parts Manual **

** Shroud Options are list at the end of the Parts Manual **

Optional 7.5Lb Increment Weight Assembly

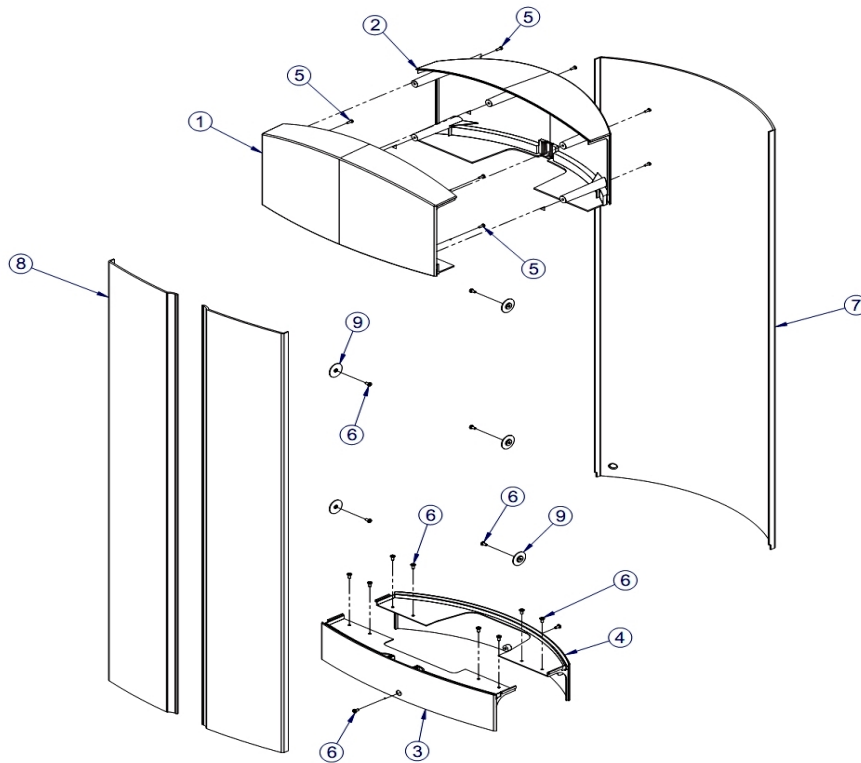


Ref #	Part Number	Qty	Description
1	8861295	1	Increment Weight
2	7328201	1	Bracket Increment Weight-15LB
3	3236202	2	Hardware: Screw 25MM
4	3202501	4	Bearing Sleeve

** Upholstery and Frame Colors are list at the end of the Parts Manual **

** Shroud Options are list at the end of the Parts Manual **

Plastic Tower Assembly

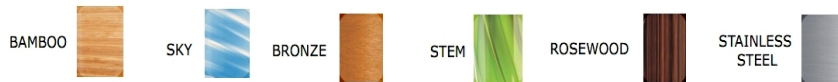
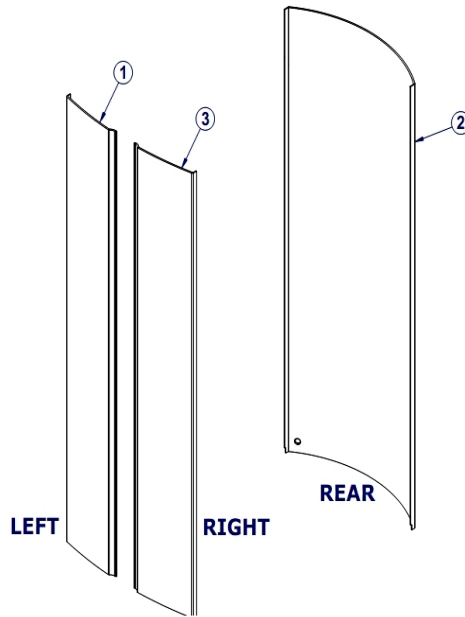


Ref #	Part Number	Qty	Description
1	7318601	1	Cover Tower-Top Front
2	7318701	1	Cover Tower - Top Rear
3	7318801	1	Cover Tower-Bottom Front
4	7318901	1	Cover Tower-Bottom Rear
5	3236501	9	Hardware: Nut 0.7" ID
6	3239101	16	Hardware: Phillips Pan Screw
7	7765701	1	Tower Shroud-Rear Short
8	7765601	2	Tower Shroud-Front Short
9	7583501	6	Retainer FZ Shroud

** Upholstery and Frame Colors are list at the end of the Parts Manual **

** Shroud Options are list at the end of the Parts Manual **

Stackwraps Shroud

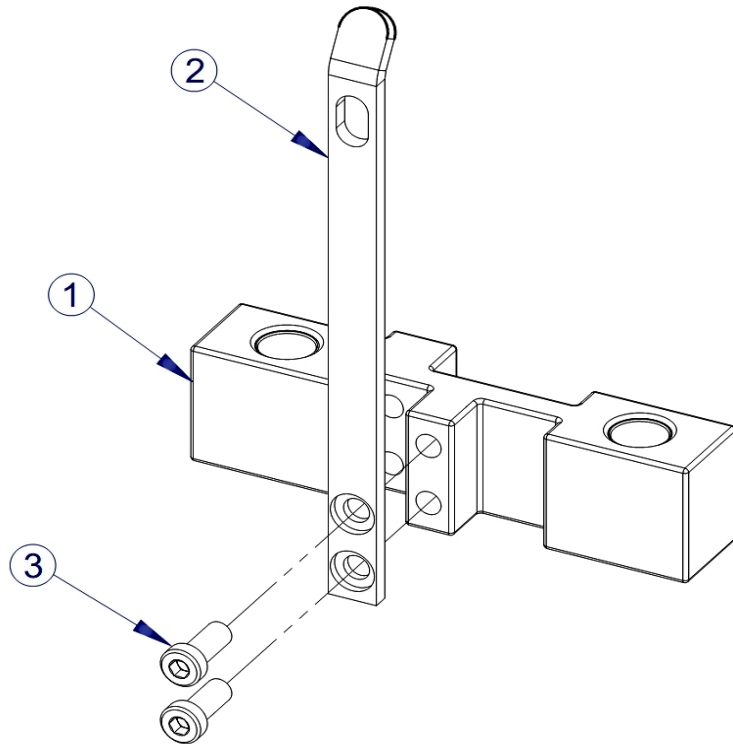


Ref #	Part Number	Qty	Description
1	8954501	1	Shroud FZ Front Short Left -Stem
1	8954601	1	Shroud FZ Front Short Left -Rosewood
1	8954701	1	Shroud FZ Front Short Left -Stainless Steel
1	8954201	1	Shroud FZ Front Short Left -Bamboo
1	8954301	1	Shroud FZ Front Short Left -Sky
1	8954401	1	Shroud FZ Front Left - Bronze
2	8949101	1	Shroud FZ Rear Short -Bamboo
2	8950101	1	Shroud FZ Rear Short -Stainless Steel
2	8949901	1	Shroud FZ Rear Short -Rosewood
2	8949701	1	Shroud FZ Rear Short -Stem
2	8949301	1	Shroud FZ Rear Short -Sky
2	8949501	1	Shroud FZ Rear -Bronze
3	8950001	1	Shroud FZ Front Short Right-Stainless Steel
3	8949201	1	Shroud FZ Front Short Right -Sky
3	8949401	1	Shroud FZ Front Short Right -Bronze
3	8949801	1	Shroud FZ Front Short Right -Rosewood
3	8949001	1	Shroud FZ Front Short Right -Bamboo
3	8949601	1	Shroud FZ Front Short Right -Stem

** Upholstery and Frame Colors are list at the end of the Parts Manual **

** Shroud Options are list at the end of the Parts Manual **

10Lb Increment Weight Assembly

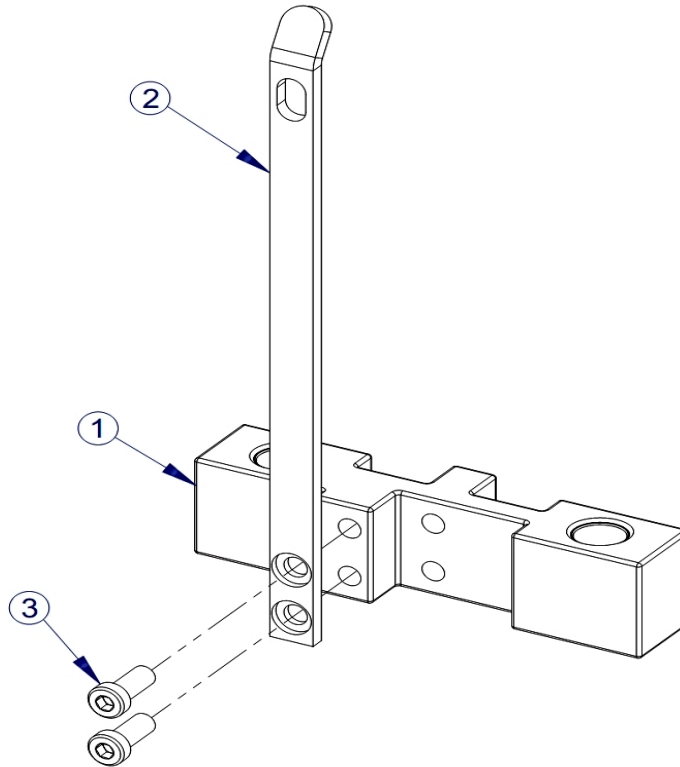


Ref #	Part Number	Qty	Description
1	7968501	1	Assembly FZ Inc Weight 5LB
2	7328101	1	Bracket Increment Weight-10LB
3	3236202	2	Hardware: Screw 25MM

** Upholstery and Frame Colors are list at the end of the Parts Manual **

** Shroud Options are list at the end of the Parts Manual **

15Lb Increment Weight Assembly

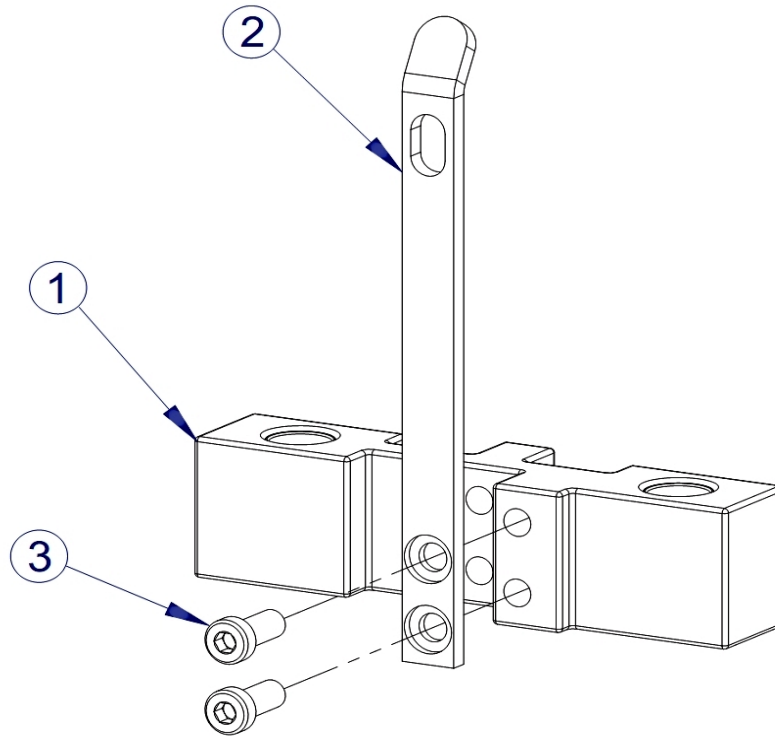


Ref #	Part Number	Qty	Description
1	7968501	1	Assembly FZ Inc Weight 5LB
2	7328201	1	Bracket Increment Weight-15LB
3	3236202	2	Hardware: Screw 25MM

** Upholstery and Frame Colors are list at the end of the Parts Manual **

** Shroud Options are list at the end of the Parts Manual **

5Lb Increment Weight Assembly



Ref #	Part Number	Qty	Description
1	7968501	1	Assembly FZ Inc Weight 5LB
2	7328001	1	Bracket Increment Weight-5LB
3	3236202	2	Hardware: Screw 25MM

** Upholstery and Frame Colors are list at the end of the Parts Manual **

** Shroud Options are list at the end of the Parts Manual **

Frame and Upholstery Color Chart

Frame Colors



Note: Include frame color in order notes when ordering frame assemblies or weldments.

Upholstery Colors



Replace '99' with the above color suffix when ordering pads (i.e. 7412399 = 7412301 BLACK)

Shroud Options Chart

STANDARD SHROUD NO WRAP



TRANSLUCENT



OPTIONAL StackWraps™

SHROUD + WRAP

BAMBOO



BRONZE



ROSEWOOD



SKY



STAINLESS
STEEL



STEM



CO-BRANDED StackWraps™

SHROUD + WRAP

(refer to co-branded parts list)



PLANET FITNESS

blink FITNESS



BLINK FITNESS

Retro Fitness



RETRO FITNESS