

Signature Series Single - Calf Extension

FZCE

Parts Manual

1/5/2019 13:46:48 PM



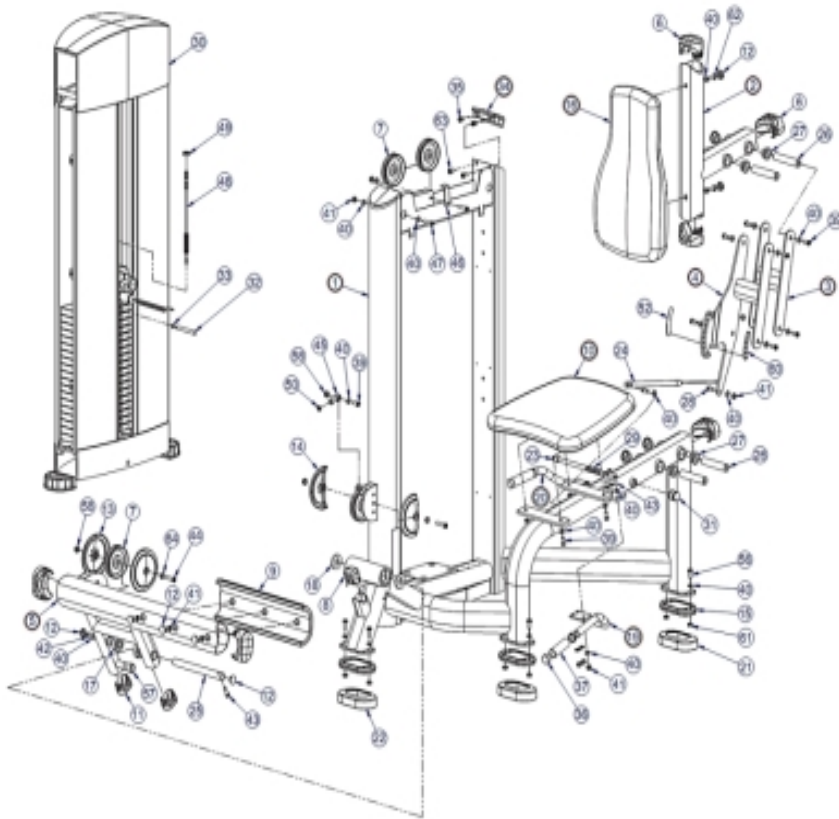
Table of Contents

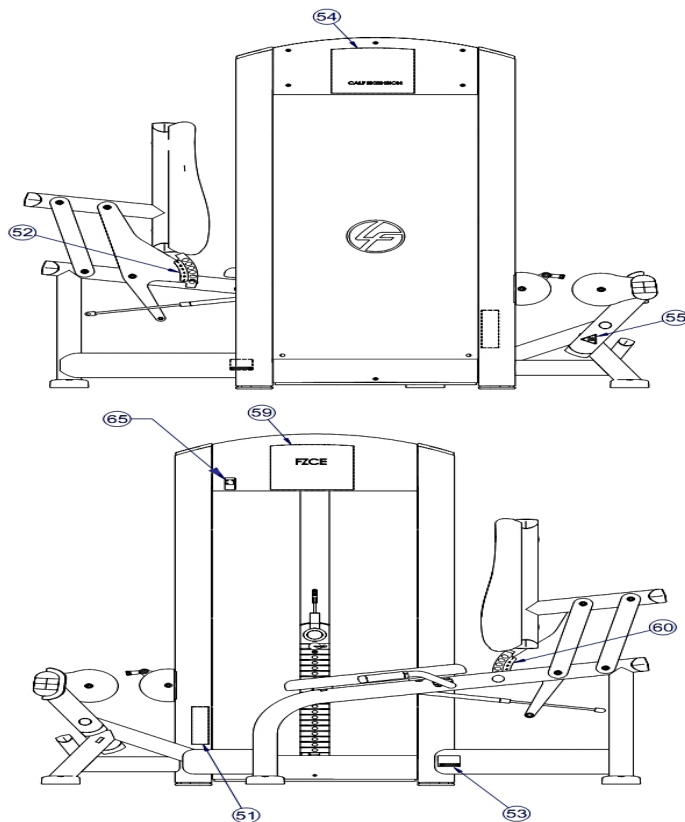
Component Assembly	3
Head Plate Assembly	6
MID-19 Tower Assembly	8
MID-19 Weight Stack Assembly	9
Optional MID Light-14 Weight Stack Assembly	10
Optional 2.5Lb Increment Weight Assembly	11
Optional 5Lb Increment Weight Assembly	12
Optional 7.5Lb Increment Weight Assembly	13
Plastic Tower Assembly	14
Stackwraps Shroud	15
10Lb Increment Weight Assembly	16
15Lb Increment Weight Assembly	17
5Lb Increment Weight Assembly	18

** Upholstery & Frame Colors are listed at the end of the Parts Manual **

** Shroud Options are listed at the end of the Parts Manual **

Component Assembly





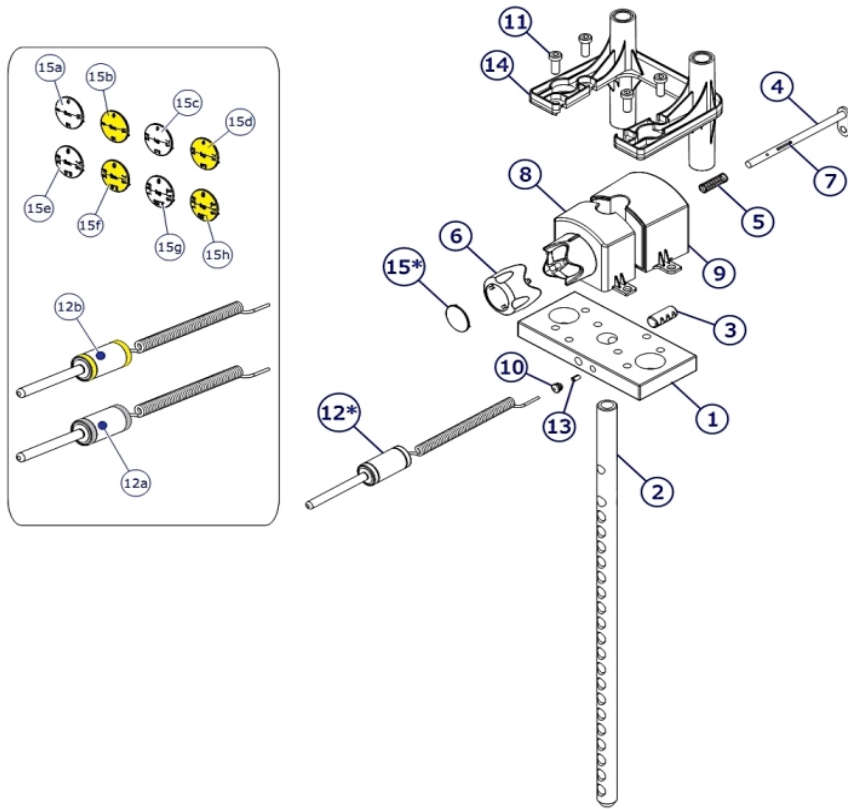
Ref #	Part Number	Qty	Description
2	7410999	1	Weldment, FZ Back Pad Support Custom
3	7411099	1	Weldment, FZ 4-Bar Custom
4	8467599	1	Weldment, FZCE 4 Bar Index Custom
5	7484899	1	Weldment, FZCE, Foot Pivot Custom
6	7333901	6	End Cap FLOV Large
7	3237801	4	Pulley 4.5" OD
8	7317901	1	Stop Bumper
9	7523701	1	Footplate Overmolded
10	7401599	1	PAD, SEAT LE/SLC Custom
11	7333801	2	End Cap FLOV Small
12	3237403	7	Plug 1" Hole
13	8104501	2	Pulley Cover Notched
14	8094101	2	Pulley Cover Partial
15	7334001	3	Foot 2.50 X 4.49 Flov 10-0074-046 BNR
16	7474199	1	ASSY, LARGE BACK PAD Custom
17	3235601	2	Ball Bearing
18	7568901	2	Spacer FZCE
19	7517499	1	Weldment, FZ Handle Left Custom
20	7517599	1	Weldment, FZ Handle Right Custom
21	7340201	2	Cover Foot - Straight
22	7419601	1	Foot Cover - 20 Degrees
23	7351303	1	Pull Pin
24	3235701	1	Gas Spring
25	7569101	1	FZCE-Shaft
26	7324902	4	Shaft Tapped 1" D 5.33"
27	3104903	8	Bearing 1" ID 1.25" OD
28	7414301	2	Stud M10 Ball End M10 X 1.5
29	7351501	1	Pull Pin Spring
30	7512101	1	Assembly MID Tower-19

Ref #	Part Number	Qty	Description
31	7424801	1	Pop Pin Knob
31	7424803	1	KNOB TULIP STYLE
32	7564501	1	Pin FZ/PS Weight Plate
33	3243901	1	Ring11 MM
34	7326299	2	Cap, D-Tube-Top Custom
35	3238601	4	Blind Thread Insert - 1.5"
36	7662901	2	Grip Cap
37	3235801	2	Grip - 1.25" OD
38	7662801	2	Grip Ring 1.25"
39	3236202	13	Hardware: Screw 25MM
40	3273303	40	Hardware: WasherR, 3/8, THRU-HARDENED
41	3236801	12	Hardware: Nut 10 MM ID
42	3236204	1	Hardware: Screw 35MM
43	3236203	7	Hardware: Screw 30MM
44	3236207	2	Hardware: Screw 50MM
45	3237901	1	Rod End Metric Female
46	6757701	1	Cable Clip
47	3236206	2	Hardware: Screw 45MM
48	7423613	1	Cable FZCE 107"
49	3236902	1	Hardware: Nut 16 MM ID
50	3236901	1	Hardware: Nut Hex Jam 10 MM
51	7422004	1	Label 2" ASTM Warning
52	8508301	1	Label 1-6 Curved Outside
53	7571301	1	Label Serial Number
54	7602801	1	Label FZCE Logo
55	8039501	1	Label Warning Triangle 10-0099-067 BNR
56	3251202	6	Hardware: Screw 25MM
57	7690101	1	Bumper Sleeve- 1.000 ID
58	7335401	3	Hardware: Nut 10 MM ID
59	7602703	1	LABEL, FZCE PLACARD FRN
59	7602704	1	LABEL, FZCE PLACARD SPN
59	7602705	1	Label, FZCE Placard Italian
59	7602702	1	LABEL, FZCE PLACARD GER
59	7602701	1	Label FZCE Placard English
59	7602710	1	Label, FZCE Placard Russian
59	7602706	1	LABEL, FZCE PLACARD DUT
59	7602707	1	LABEL, FZCE PLACARD JAP
59	7602708	1	LABEL, FZCE PLACARD POR
59	7602709	1	LABEL, FZCE PLACARD SWE
60	8508201	1	Label 1-6 Curved Inside
61	3254703	6	Hardware: Nut 10 MM ID
62	3251203	2	Hardware: Screw 30MM
63	3236201	4	Hardware: Screw 20MM
64	7630101	2	Retainer CM/MJ Pulley
65	9310101	1	LABEL, FZCE, NFC-QR TAG
-	8866401	1	FZ Wt Stack Mid Light - 19

** Upholstery and Frame Colors are list at the end of the Parts Manual **

** Shroud Options are list at the end of the Parts Manual **

Head Plate Assembly



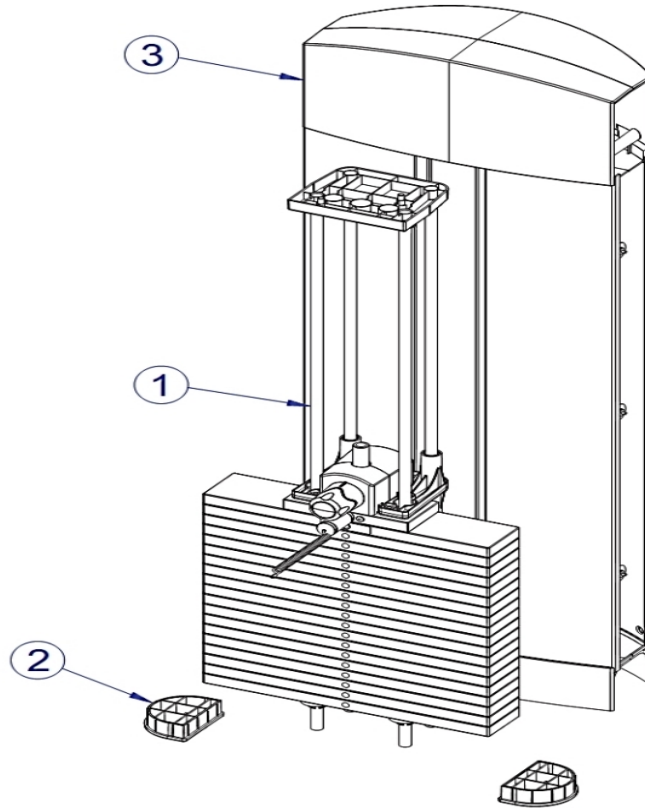
Ref #	Part Number	Qty	Description
1	7326701	1	Head Plate
2	7349501	1	Stem 19 Plate
3	3236001	1	SpringPin Bushing
4	7327201	1	Increment Weight Pin
5	8024501	1	Spring
6	7326101	1	Incremental Weight Selector Knob
7	3110008	1	Roll Pin 1/8" D 1-1/4" L
8	7326401	1	Selector Housing - Front
9	7326501	1	Selector Housing - Rear
10	7356501	1	Plug Lanyard Attachment
11	3236202	4	Hardware: Screw 25MM
12A	7338101	1	Weight Stack Selector Pin
12B	7338103	1	Weight Stack Selector Pin
13	7523601	1	Crimp Cable
14	8867301	1	Assembly FZ Stabilizer with Bushings
15F	8865803	1	FZ Selector Knob Cap - 2.5 LBS Yellow
15E	8865801	1	FZ Selector Knob Cap - 2.5 LBS Silver
15A	7398601	1	Selector Knob Cap - 5 LBS Silver
15G	8946501	1	CAP, FZ SELECTOR KNOB - 1.25 KG, SILVER
15H	8946503	1	CAP, FZ SELECTOR KNOB - 1.25 KG, YELLOW
15B	7398603	1	Selector Knob Cap - 5 LBS Yellow
15C	7398701	1	Selector Knob Cap - 2.5 KG Silver

Ref #	Part Number	Qty	Description
15D	7398703	1	Selector Knob Cap - 2.5 KG Yellow

** Upholstery and Frame Colors are list at the end of the Parts Manual **

** Shroud Options are list at the end of the Parts Manual **

MID-19 Tower Assembly

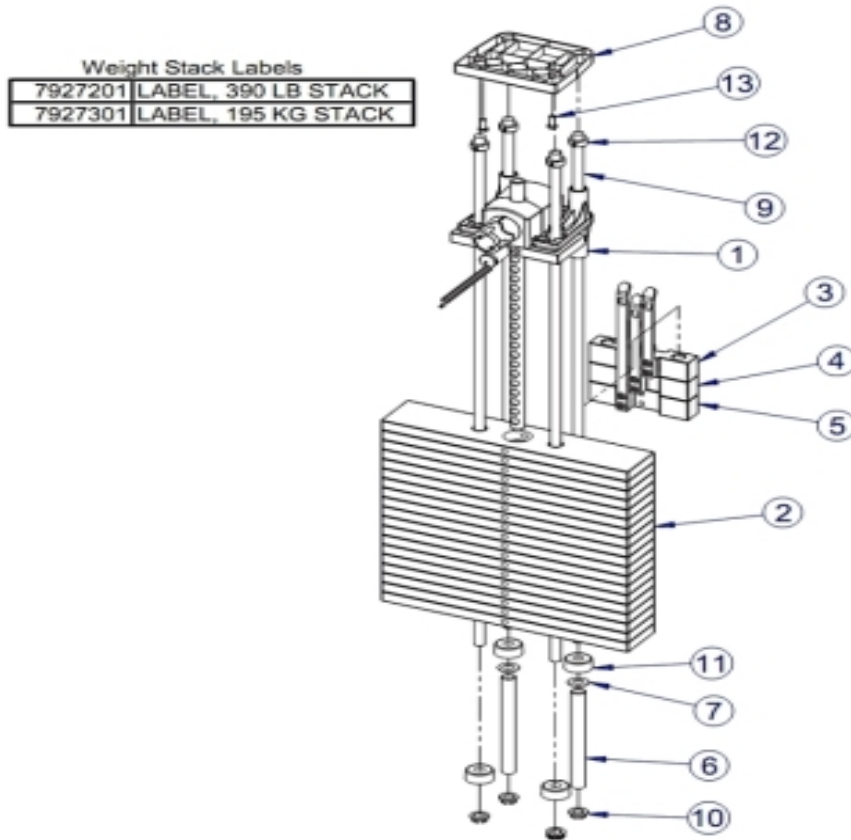


Ref #	Part Number	Qty	Description
2	7326301	2	Cap D-Tube-Bottom

** Upholstery and Frame Colors are list at the end of the Parts Manual **

** Shroud Options are list at the end of the Parts Manual **

MID-19 Weight Stack Assembly



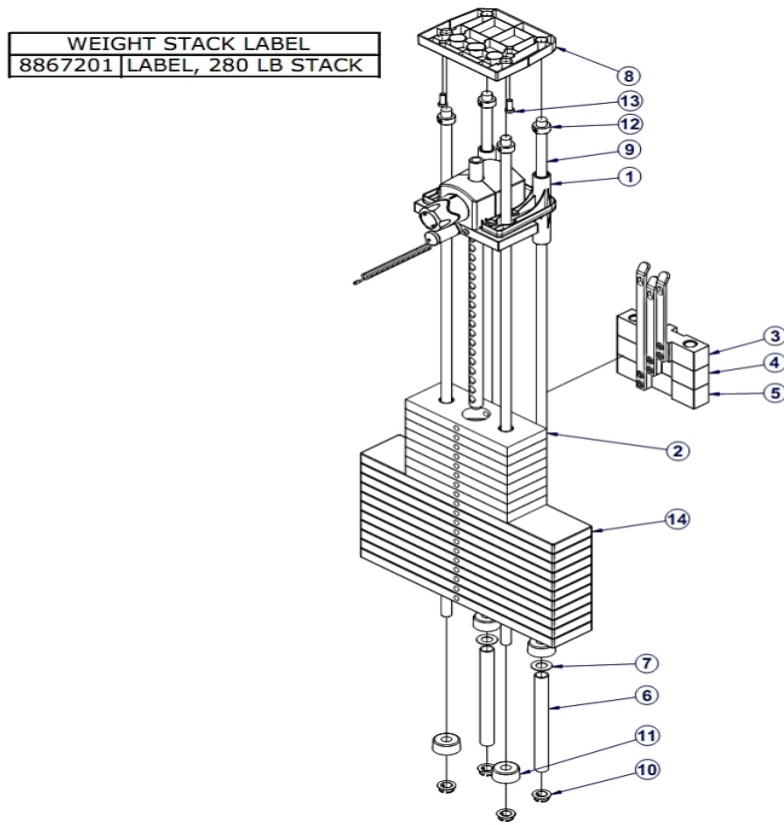
Weight Stack Labels	
7927201	LABEL, 390 LB STACK
7927301	LABEL, 195 KG STACK

Ref #	Part Number	Qty	Description
1	7350801	1	Assembly Head Plate (19)
2	7328401	19	Weight Plate 20 LB
3	7327601	1	Assembly Increment Weight-5LB
4	7327701	1	Assembly Increment Weight-10LB
5	7327801	1	Assembly Increment Weight-15LB
6	7328702	2	Spacer Inc Weight Stack 19 Plate
7	7351001	2	Spacer Increment Weight Stack
8	7621101	1	Guide Rod Retainer Top
9	7328602	4	Guide Rod .75" OD 53.50" L
10	7337901	4	Bushing Guide Rod
11	7352101	4	Cushion Weight Stack
12	3103301	4	Shaft Collar 3/4" ID Zinc
13	3236202	2	Hardware: Screw 25MM
-	7927301	1	Label 195 KG Stack
-	7927201	1	Label 390 LB Stack

** Upholstery and Frame Colors are list at the end of the Parts Manual **

** Shroud Options are list at the end of the Parts Manual **

Optional MID Light-14 Weight Stack Assembly

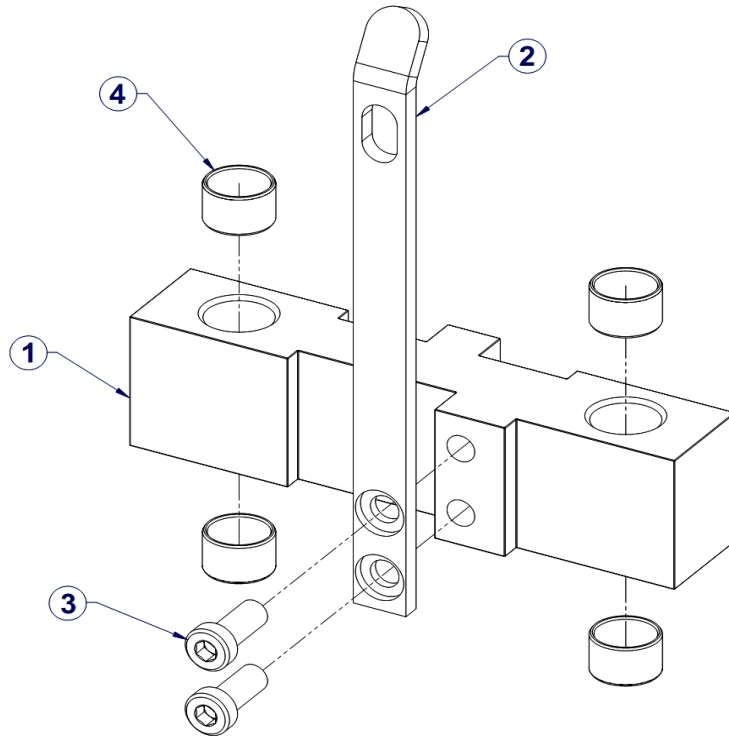


Ref #	Part Number	Qty	Description
1	7350801	1	Assembly Head Plate (19)
2	7353701	8	Weight Plate 10 LB
3	8861301	1	Assembly FZ Inc Weight - 2.5 LB
4	8861401	1	Assembly FZ Inc Weight - 5 LB
5	8861501	1	Assembly FZ Inc Weight - 7.5 LB
6	7328702	2	Spacer Inc Weight Stack 19 Plate
7	7351001	2	Spacer Increment Weight Stack
8	7621101	1	Guide Rod Retainer Top
9	7328602	4	Guide Rod .75" OD 53.50" L
10	7337901	4	Bushing Guide Rod
11	7352101	4	Cushion Weight Stack
12	3103301	4	Shaft Collar 3/4" ID Zinc
13	3236202	2	Hardware: Screw 25MM
14	7328401	11	Weight Plate 20 LB
-	8867201	1	Label 280 LB Stack

** Upholstery and Frame Colors are list at the end of the Parts Manual **

** Shroud Options are list at the end of the Parts Manual **

Optional 2.5Lb Increment Weight Assembly

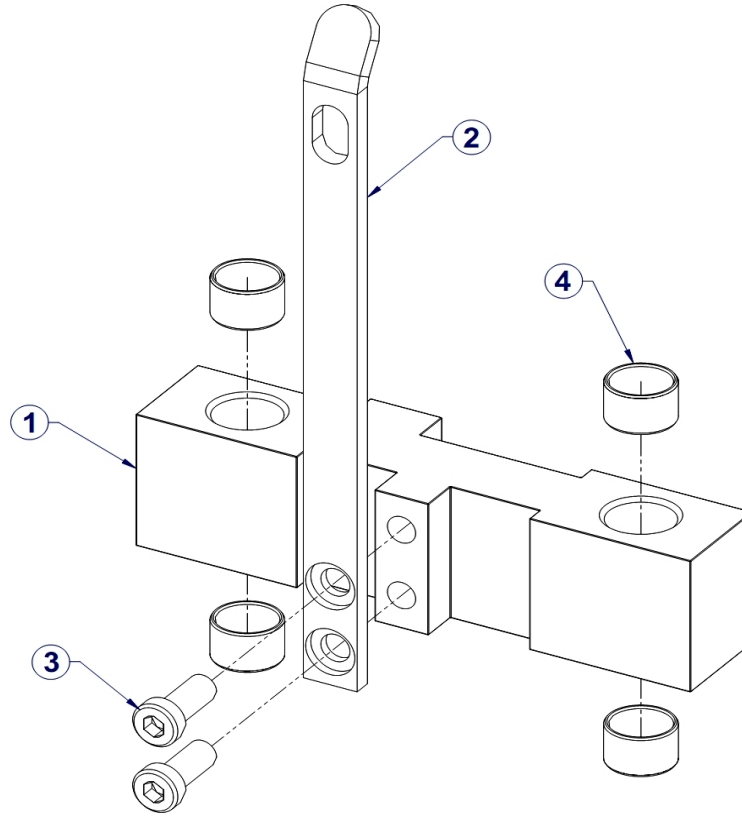


Ref #	Part Number	Qty	Description
1	8861295	1	Increment Weight
2	7328001	1	Bracket Increment Weight-5LB
3	3236202	2	Hardware: Screw 25MM
4	3202501	4	Bearing Sleeve

** Upholstery and Frame Colors are list at the end of the Parts Manual **

** Shroud Options are list at the end of the Parts Manual **

Optional 5Lb Increment Weight Assembly

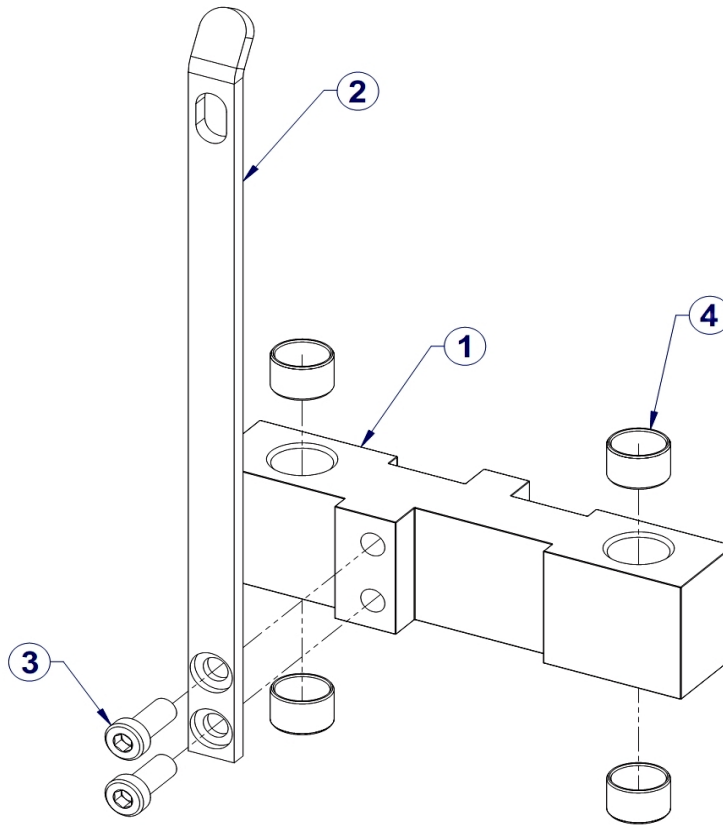


Ref #	Part Number	Qty	Description
1	8861295	1	Increment Weight
2	7328101	1	Bracket Increment Weight-10LB
3	3236202	2	Hardware: Screw 25MM
4	3202501	4	Bearing Sleeve

** Upholstery and Frame Colors are list at the end of the Parts Manual **

** Shroud Options are list at the end of the Parts Manual **

Optional 7.5Lb Increment Weight Assembly

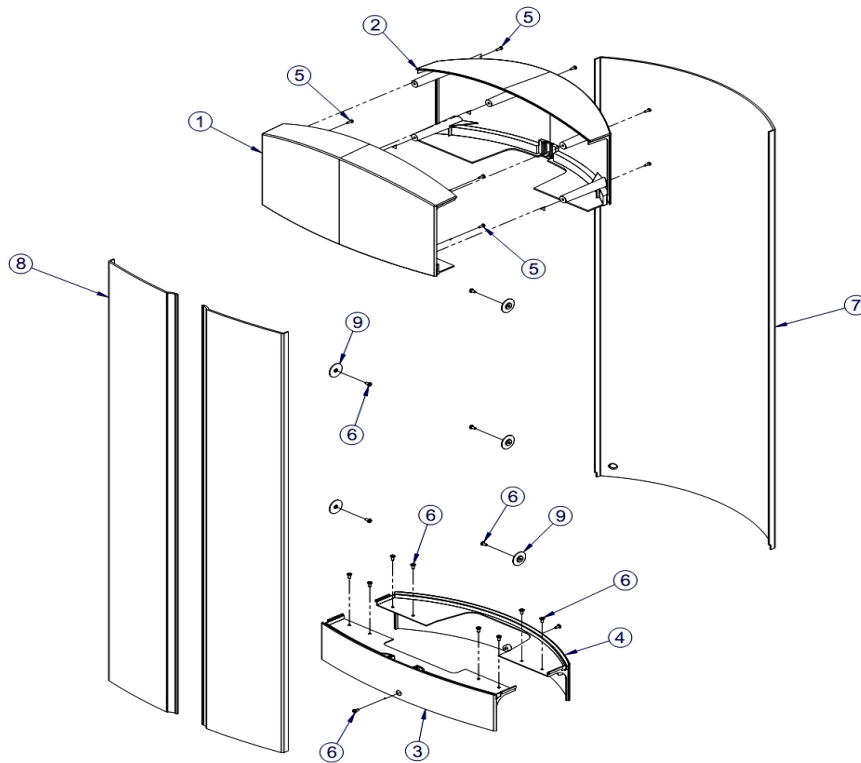


Ref #	Part Number	Qty	Description
1	8861295	1	Increment Weight
2	7328201	1	Bracket Increment Weight-15LB
3	3236202	2	Hardware: Screw 25MM
4	3202501	4	Bearing Sleeve

** Upholstery and Frame Colors are list at the end of the Parts Manual **

** Shroud Options are list at the end of the Parts Manual **

Plastic Tower Assembly

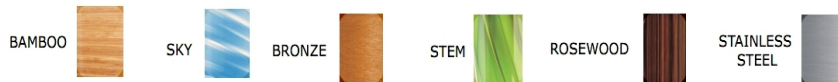
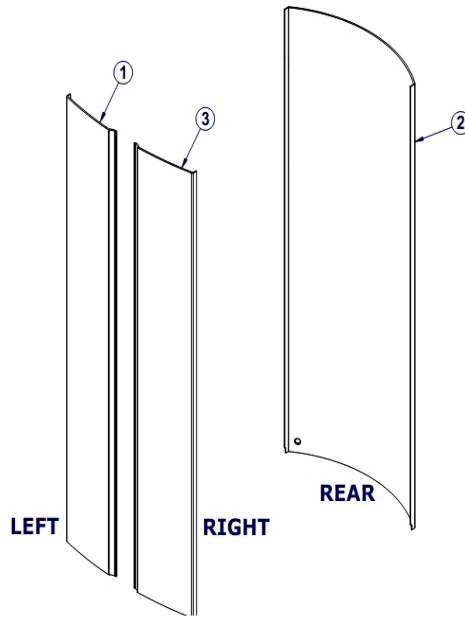


Ref #	Part Number	Qty	Description
1	7318601	1	Cover Tower-Top Front
2	7318701	1	Cover Tower - Top Rear
3	7318801	1	Cover Tower-Bottom Front
4	7318901	1	Cover Tower-Bottom Rear
5	3236501	9	Hardware: Nut 0.7" ID
6	3239101	16	Hardware: Phillips Pan Screw
7	7765701	1	Tower Shroud-Rear Short
8	7765601	2	Tower Shroud-Front Short
9	7583501	6	Retainer FZ Shroud

** Upholstery and Frame Colors are list at the end of the Parts Manual **

** Shroud Options are list at the end of the Parts Manual **

Stackwraps Shroud

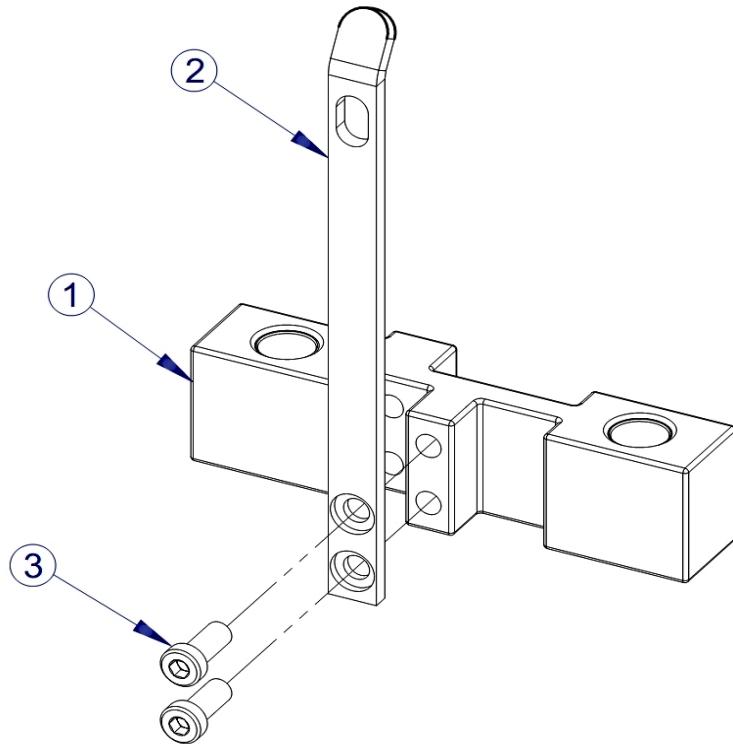


Ref #	Part Number	Qty	Description
1	8954501	1	Shroud FZ Front Short Left -Stem
1	8954601	1	Shroud FZ Front Short Left -Rosewood
1	8954701	1	Shroud FZ Front Short Left -Stainless Steel
1	8954201	1	Shroud FZ Front Short Left -Bamboo
1	8954301	1	Shroud FZ Front Short Left -Sky
1	8954401	1	Shroud FZ Front Left - Bronze
2	8949101	1	Shroud FZ Rear Short -Bamboo
2	8950101	1	Shroud FZ Rear Short -Stainless Steel
2	8949901	1	Shroud FZ Rear Short -Rosewood
2	8949701	1	Shroud FZ Rear Short -Stem
2	8949301	1	Shroud FZ Rear Short -Sky
2	8949501	1	Shroud FZ Rear -Bronze
3	8950001	1	Shroud FZ Front Short Right-Stainless Steel
3	8949201	1	Shroud FZ Front Short Right -Sky
3	8949401	1	Shroud FZ Front Short Right -Bronze
3	8949801	1	Shroud FZ Front Short Right -Rosewood
3	8949001	1	Shroud FZ Front Short Right -Bamboo
3	8949601	1	Shroud FZ Front Short Right -Stem

** Upholstery and Frame Colors are list at the end of the Parts Manual **

** Shroud Options are list at the end of the Parts Manual **

10Lb Increment Weight Assembly

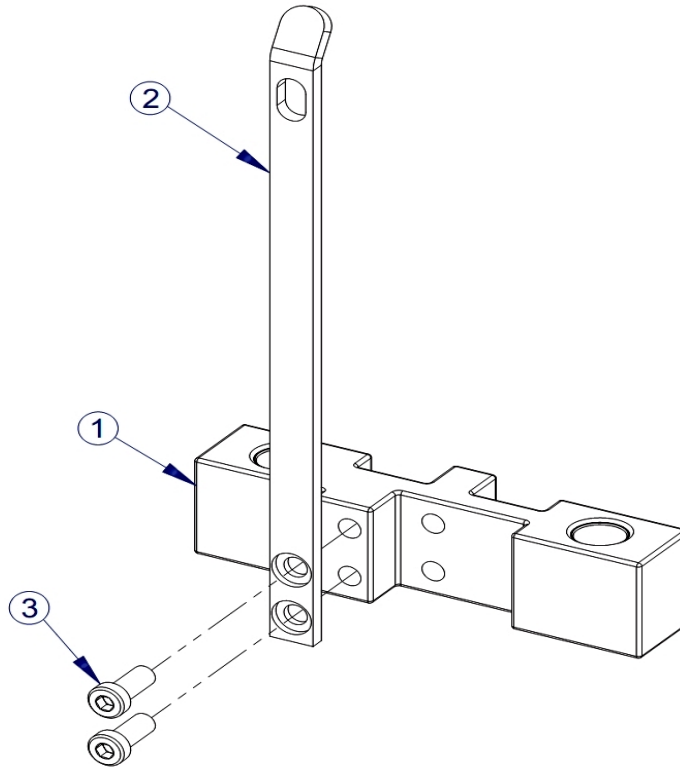


Ref #	Part Number	Qty	Description
1	7968501	1	Assembly FZ Inc Weight 5LB
2	7328101	1	Bracket Increment Weight-10LB
3	3236202	2	Hardware: Screw 25MM

** Upholstery and Frame Colors are list at the end of the Parts Manual **

** Shroud Options are list at the end of the Parts Manual **

15Lb Increment Weight Assembly

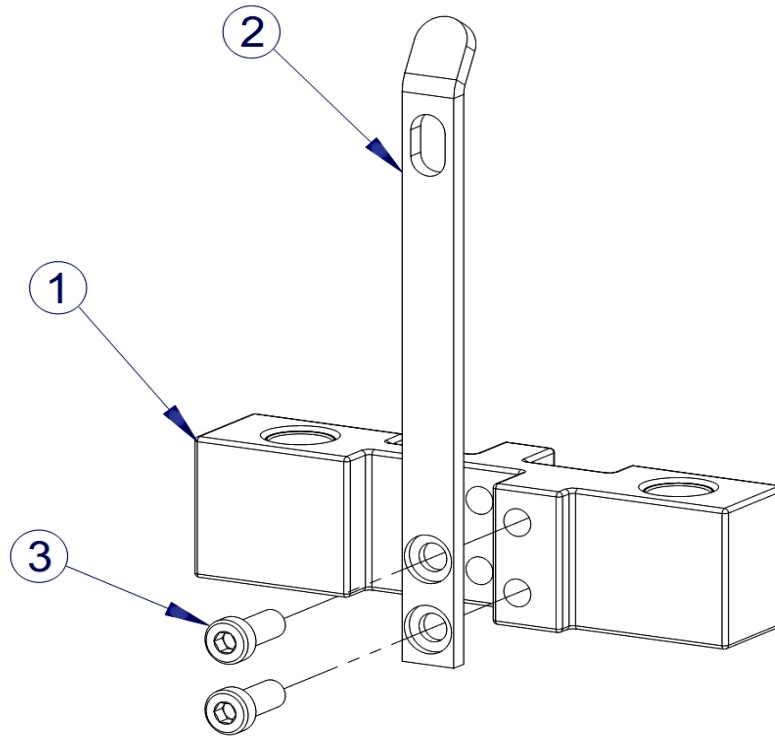


Ref #	Part Number	Qty	Description
1	7968501	1	Assembly FZ Inc Weight 5LB
2	7328201	1	Bracket Increment Weight-15LB
3	3236202	2	Hardware: Screw 25MM

** Upholstery and Frame Colors are list at the end of the Parts Manual **

** Shroud Options are list at the end of the Parts Manual **

5Lb Increment Weight Assembly



Ref #	Part Number	Qty	Description
1	7968501	1	Assembly FZ Inc Weight 5LB
2	7328001	1	Bracket Increment Weight-5LB
3	3236202	2	Hardware: Screw 25MM

** Upholstery and Frame Colors are list at the end of the Parts Manual **

** Shroud Options are list at the end of the Parts Manual **

Frame and Upholstery Color Chart

Frame Colors



Note: Include frame color in order notes when ordering frame assemblies or weldments.

Upholstery Colors



Replace '99' with the above color suffix when ordering pads (i.e. 7412399 = 7412301 BLACK)

Shroud Options Chart

STANDARD
SHROUD NO WRAP



TRANSLUCENT



OPTIONAL StackWraps™

SHROUD + WRAP

BAMBOO



BRONZE



ROSEWOOD



SKY



STAINLESS
STEEL



STEM



CO-BRANDED StackWraps™

SHROUD + WRAP

(refer to co-branded parts list)



PLANET FITNESS



BLINK FITNESS



RETRO FITNESS