

Signature Series Single Station - Chest Press

FZCP

Parts Manual

1/5/2019 13:46:48 PM



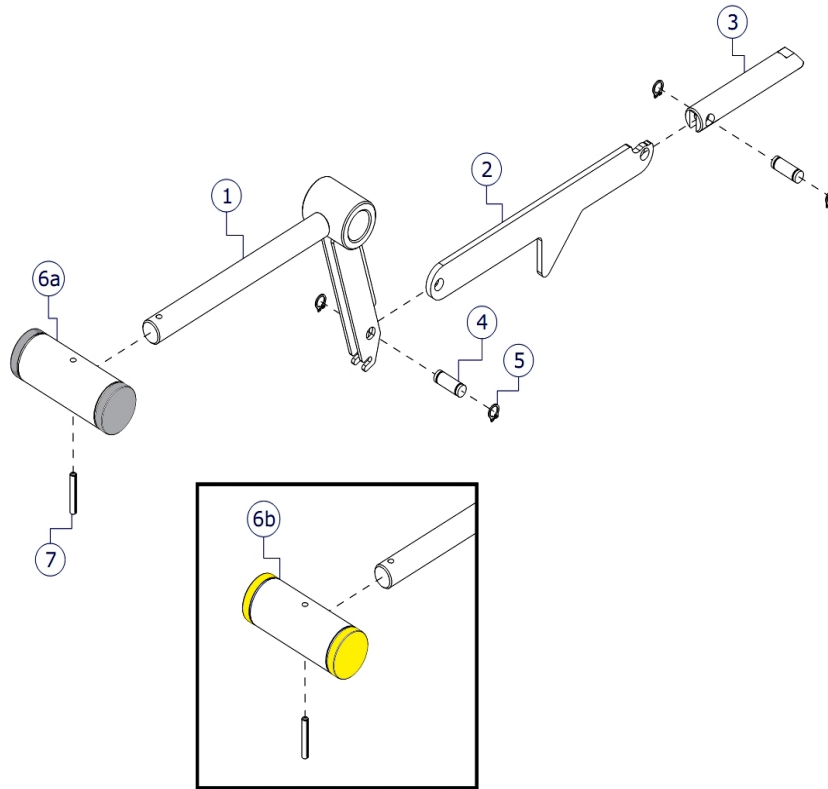
Table of Contents

Adjuster Handle Assembly.....	3
Component Assembly.....	4
Head Plate Assembly.....	8
MID-14 Tower Assembly.....	10
MID-14 Weight Stack Assembly.....	11
Optional Light MID-14 Weight Stack Assembly.....	12
Optional 2.5Lb Increment Weight Assembly.....	13
Optional 5Lb Increment Weight Assembly.....	14
Optional 7.5Lb Increment Weight Assembly.....	15
Plastic Tower Assembly.....	16
Seat Carriage Assembly.....	17
Stackwraps Shroud.....	18
10Lb Increment Weight Assembly.....	19
15Lb Increment Weight Assembly.....	20
5Lb Increment Weight Assembly.....	21

** Upholstery & Frame Colors are listed at the end of the Parts Manual **

** Shroud Options are listed at the end of the Parts Manual **

Adjuster Handle Assembly

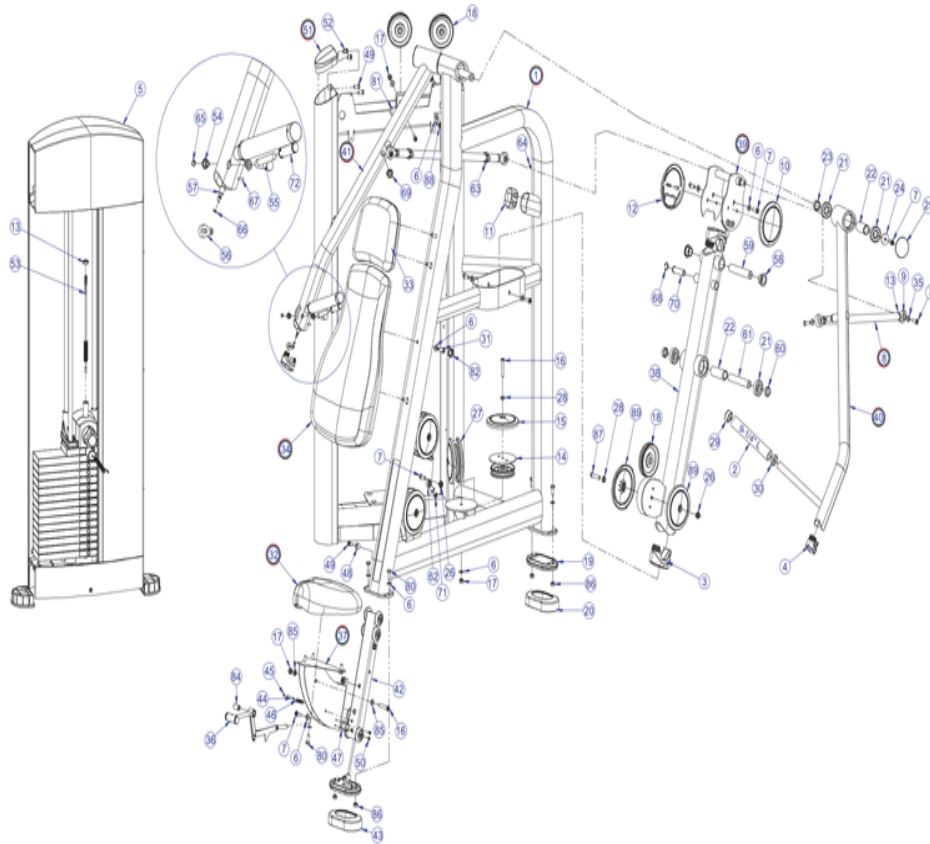


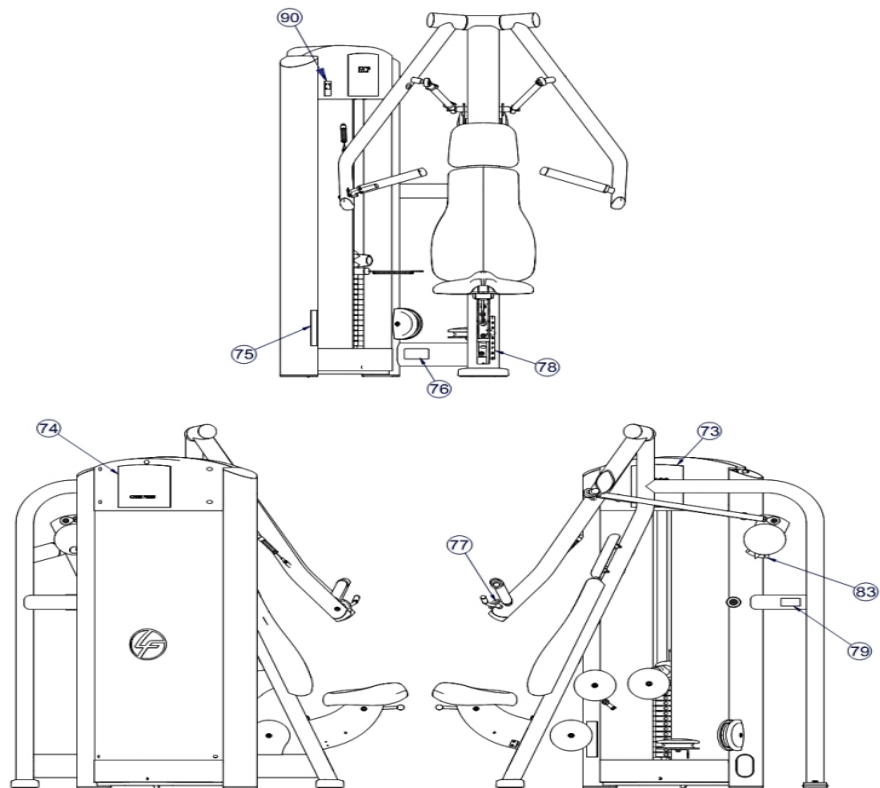
Ref #	Part Number	Qty	Description
1	7777595	1	Weldment FZ Seat Adj Handle Shadow Gray
2	9164801	1	LINK, ADJUSTER
3	9154101	1	PIN, INDEX
4	7407501	2	Pin Link X .520
5	3232401	4	Retaining Ring 0.230" D
6b	7287903	1	Adjuster Handle
6a	7287901	1	Handle Adjuster
7	3110010	1	Roll Pin 1/8" D X 7/8" L

** Upholstery and Frame Colors are list at the end of the Parts Manual **

** Shroud Options are list at the end of the Parts Manual **

Component Assembly





Ref #	Part Number	Qty	Description
2	3235802	2	Grip 1.5" OD
3	7333901	2	End Cap FLOV Large
4	7333801	2	End Cap FLOV Small
6	3273303	22	Hardware: WasherR, 3/8, THRU-HARDENED
7	3236202	13	Hardware: Screw 25MM
8	7318099	2	Tie Rod Custom
9	3238701	4	Rod End Male
10	7340001	1	Notched Pulley Cover
11	7317901	1	Stop Bumper
12	7516801	1	Pulley-Slot cover
13	3236902	5	Hardware: Nut 16 MM ID
14	7318201	1	Plate Pulley
15	8102901	1	Pulley Cover Full
16	3236208	2	Hardware: Screw 55MM
17	3236801	4	Hardware: Nut 10 MM ID
18	3237801	7	Pulley 4.5" OD
19	7334001	1	Foot 2.50 X 4.49 Flov 10-0074-046 BNR
20	7340201	1	Cover Foot - Straight
21	3235601	6	Ball Bearing
22	7330003	3	Spacer Internal X 3.235
23	7330002	2	Spacer Internal 0.653" L
24	3236701	2	Fender Washer 3/8"
25	7308701	2	Cap Bearing Housing
26	7335401	5	Hardware: Nut 10 MM ID
27	8094101	2	Pulley Cover Partial
28	7630101	5	Retainer CM/MJ Pulley
29	7662902	2	Grip Cap
30	7662802	2	Grip Ring 1.5"
31	3251203	4	Hardware: Screw 30MM

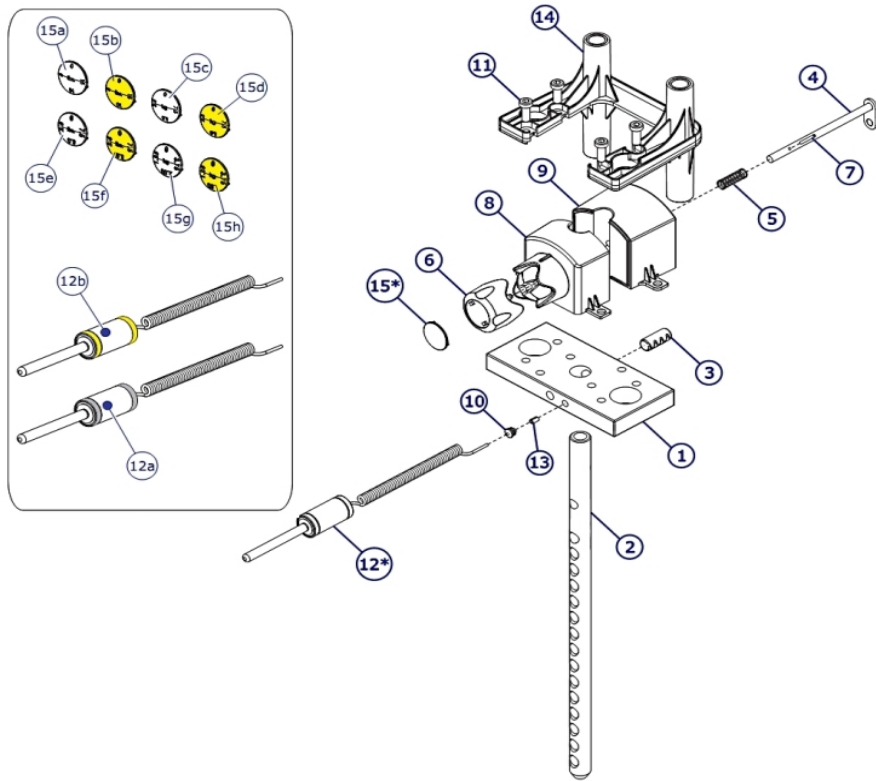
Ref #	Part Number	Qty	Description
32	7297199	1	PAD, SEAT SADDLE Custom
33	7474399	1	ASSY, HEAD REST PAD Custom
34	7474199	1	ASSY, LARGE BACK PAD Custom
35	7385201	4	Spacer .406 X .750 X .250 SS
36	7778099	1	Assembly, FZ Adjuster Handle Custom
37	7330599	1	Weldment, FZ Seat Support Custom
38	7120899	1	Weldment, FZCP Pivot Arm Custom
39	7332199	1	Weldment, FZCP Adj Start Custom
40	7119799	1	Weldment, FZCP Press Arm LH Custom
42	7911101	1	Assembly Seat Carriage
43	7419601	1	Foot Cover - 20 Degrees
44	7407502	1	Pin Link X 1.531
45	3232401	2	Retaining Ring 0.230" D
46	3273101	1	SPRING, EXT, .50 X .067 X 2.00
47	7425295	1	Bracket Seat Indicator Shadow Gray
48	LEA7385203	1	Spacer
49	3236201	5	Hardware: Screw 20MM
50	3239101	2	Hardware: Phillips Pan Screw
51	7326201	2	Cap, D-Tube-Top White
52	3238601	4	Blind Thread Insert - 1.5"
53	7423604	1	Cable FZCP 165-3/4"
54	3104908	2	Flanged Bearing .375" ID .500" OD
55	8002195	1	Weldment FZCP Adj Handle Shadow Gray
58	3104903	2	Bearing 1" ID 1.25" OD
59	7324902	1	Shaft Tapped 1" D 5.33"
60	7330001	2	Spacer Internal X .403
61	7316502	1	Shaft 25MM D 5.25" L
62	3237901	1	Rod End Metric Female
63	7780001	2	Cable Clip
64	3242901	2	Set Screw 5/16 X 1/4
65	3232405	1	Retaining Ring .352" D
66	3232403	1	Retaining Ring 0.290" D
67	3110013	1	Roll Pin 5/32" D 5/8" L
68	3232202	1	Retaining Ring .875" D
69	3209101	1	Grommet
70	7524901	1	Housing Push-Pull Adjuster
71	3236901	1	Hardware: Nut Hex Jam 10 MM
72	7681901	1	Remote Handle Shadow Gray
72	7681903	1	Remote Handle Yellow
73	7507102	1	Label, FZCP Placard German
73	7507107	1	Label, FZCP Placard Japanese
73	7507104	1	LABEL, FZCP PLACARD SPN
73	7507105	1	Label, FZCP Placard Italian
73	7507109	1	LABEL, FZCP PLACARD SWE
73	7507110	1	Label, FZCP Placard Russian
73	7507103	1	LABEL, FZCP PLACARD FRN
73	7507101	1	Label FZCP Placard English
73	7507106	1	LABEL, FZCP PLACARD DUT
73	7507108	1	LABEL, FZCP PLACARD POR
74	7507201	1	Label FZCP Logo
75	7422004	1	Label 2" ASTM Warning
76	7571301	1	Label Serial Number
77	7524001	1	Label Arrow
78	7524501	1	Label 1-9 Straight
79	8039501	1	Label Warning Triangle 10-0099-067 BNR
80	3251202	8	Hardware: Screw 25MM
81	6757701	1	Cable Clip

Ref #	Part Number	Qty	Description
82	3237403	4	Plug 1" Hole
83	7523901	1	Label 1-3 Curved
84	7776501	1	Shaft .625 X .406 X 1.200
85	7776401	2	Spacer Flange .406 X .495 X .81
86	3254703	4	Hardware: Nut 10 MM ID
87	3236207	4	Hardware: Screw 50MM
88	3236206	2	Hardware: Screw 45MM
89	8104501	6	Pulley Cover Notched
90	9310201	1	LABEL, FZCP, NFC-QR TAG

** Upholstery and Frame Colors are list at the end of the Parts Manual **

** Shroud Options are list at the end of the Parts Manual **

Head Plate Assembly



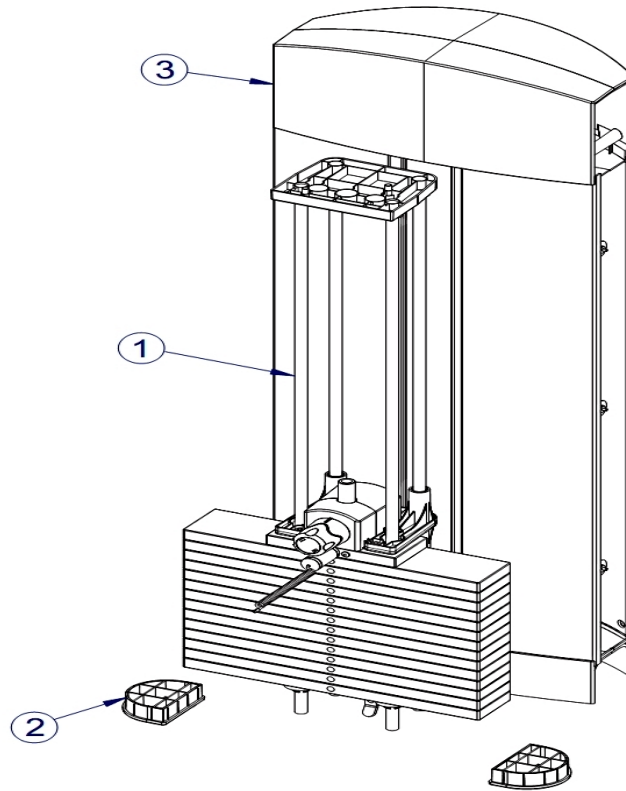
Ref #	Part Number	Qty	Description
1	7326701	1	Head Plate
2	7328901	1	Stem 14 Plate
3	3236001	1	SpringPin Bushing
4	7327201	1	Incremental Weight Pin
5	8024501	1	Spring
6	7326101	1	Incremental Weight Selector Knob
7	3110008	1	Roll Pin 1/8" D 1-1/4" L
8	7326401	1	Selector Housing - Front
9	7326501	1	Selector Housing - Rear
10	7356501	1	Plug Lanyard Attachment
11	3236202	4	Hardware: Screw 25MM
12A	7338101	1	Weight Stack Selector Pin
12B	7338103	1	Weight Stack Selector Pin
13	7523601	1	Crimp Cable
14	8867301	1	Assembly FZ Stabilizer with Bushings
15E	8865801	1	FZ Selector Knob Cap - 2.5 LBS Silver
15A	7398601	1	Selector Knob Cap - 5 LBS Silver
15H	8946503	1	CAP, FZ SELECTOR KNOB - 1.25 KG, YELLOW
15D	7398703	1	Selector Knob Cap - 2.5 KG Yellow
15F	8865803	1	FZ Selector Knob Cap - 2.5 LBS Yellow
15G	8946501	1	CAP, FZ SELECTOR KNOB - 1.25 KG, SILVER
15C	7398701	1	Selector Knob Cap - 2.5 KG Silver

Ref #	Part Number	Qty	Description
15B	7398603	1	Selector Knob Cap - 5 LBS Yellow

** Upholstery and Frame Colors are list at the end of the Parts Manual **

** Shroud Options are list at the end of the Parts Manual **

MID-14 Tower Assembly



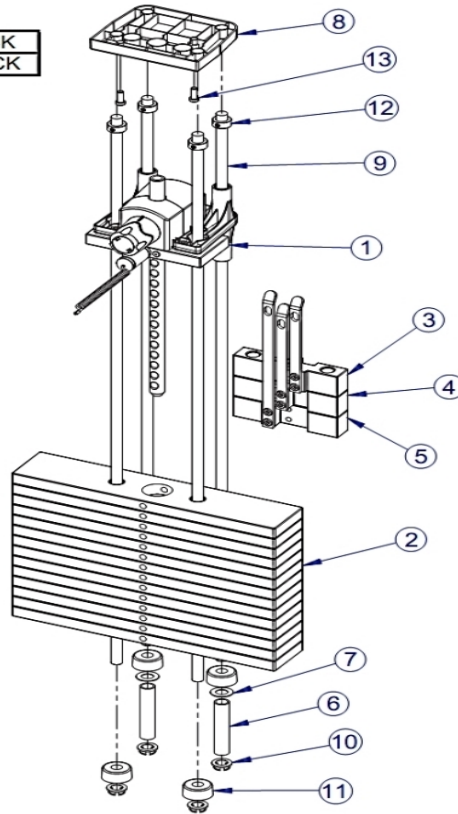
Ref #	Part Number	Qty	Description
2	7326301	2	Cap D-Tube-Bottom

** Upholstery and Frame Colors are list at the end of the Parts Manual **

** Shroud Options are list at the end of the Parts Manual **

MID-14 Weight Stack Assembly

WEIGHT STACK LABELS	
7927201	LABEL, 390 LB STACK
7927301	LABEL, 195 KG STACK



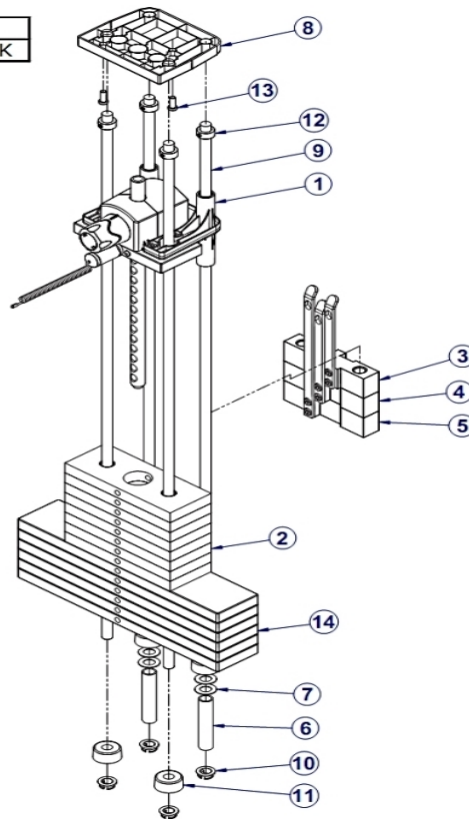
Ref #	Part Number	Qty	Description
1	7350701	1	Assembly Head Plate (14)
2	7328401	14	Weight Plate 20 LB
3	7327601	1	Assembly Increment Weight-5LB
4	7327701	1	Assembly Increment Weight-10LB
5	7327801	1	Assembly Increment Weight-15LB
6	7328701	2	Spacer Inc Weight Stack 14 Plate
7	7351001	2	Spacer Increment Weight Stack
8	7621101	1	Guide Rod Retainer Top
9	7328602	4	Guide Rod .75" OD 53.50" L
10	7337901	4	Bushing Guide Rod
11	7352101	4	Cushion Weight Stack
12	3103301	4	Shaft Collar 3/4" ID Zinc
13	3236202	2	Hardware: Screw 25MM
-	7927201	1	Label 390 LB Stack
-	7927301	1	Label 195 KG Stack

** Upholstery and Frame Colors are list at the end of the Parts Manual **

** Shroud Options are list at the end of the Parts Manual **

Optional Light MID-14 Weight Stack Assembly

WEIGHT STACK LABELS
8867001 LABEL, 310 LB STACK

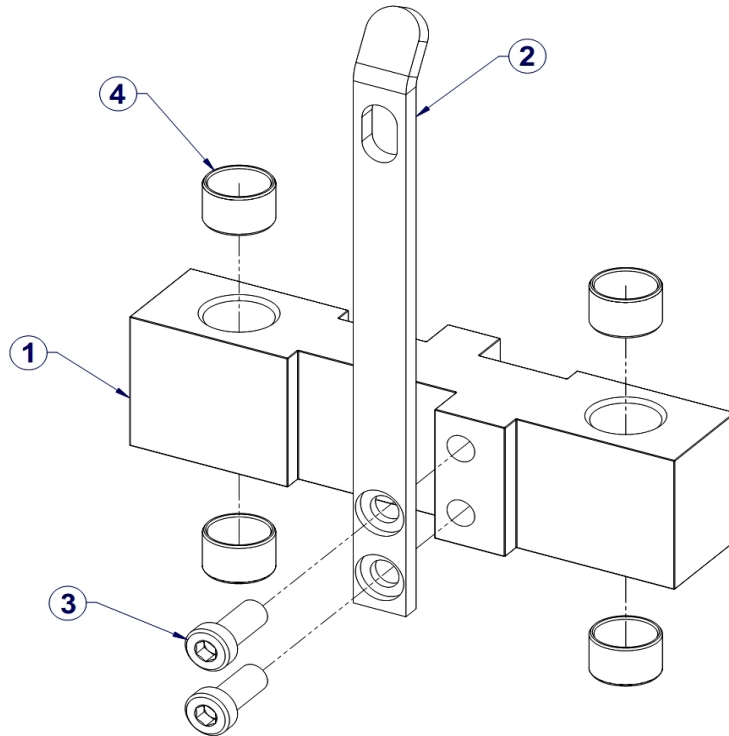


Ref #	Part Number	Qty	Description
1	7350701	1	Assembly Head Plate (14)
2	7353701	8	Weight Plate 10 LB
3	8861301	1	Assembly FZ Inc Weight - 2.5 LB
4	8861401	1	Assembly FZ Inc Weight - 5 LB
5	8861501	1	Assembly FZ Inc Weight - 7.5 LB
6	7328701	2	Spacer Inc Weight Stack 14 Plate
7	7351001	4	Spacer Increment Weight Stack
8	7621101	1	Guide Rod Retainer Top
9	7328602	4	Guide Rod .75" OD 53.50" L
10	7337901	4	Bushing Guide Rod
11	7352101	4	Cushion Weight Stack
12	3103301	4	Shaft Collar 3/4" ID Zinc
13	3236202	2	Hardware: Screw 25MM
14	7328401	6	Weight Plate 20 LB
-	8867001	1	Label 310 LB Stack

** Upholstery and Frame Colors are list at the end of the Parts Manual **

** Shroud Options are list at the end of the Parts Manual **

Optional 2.5Lb Increment Weight Assembly

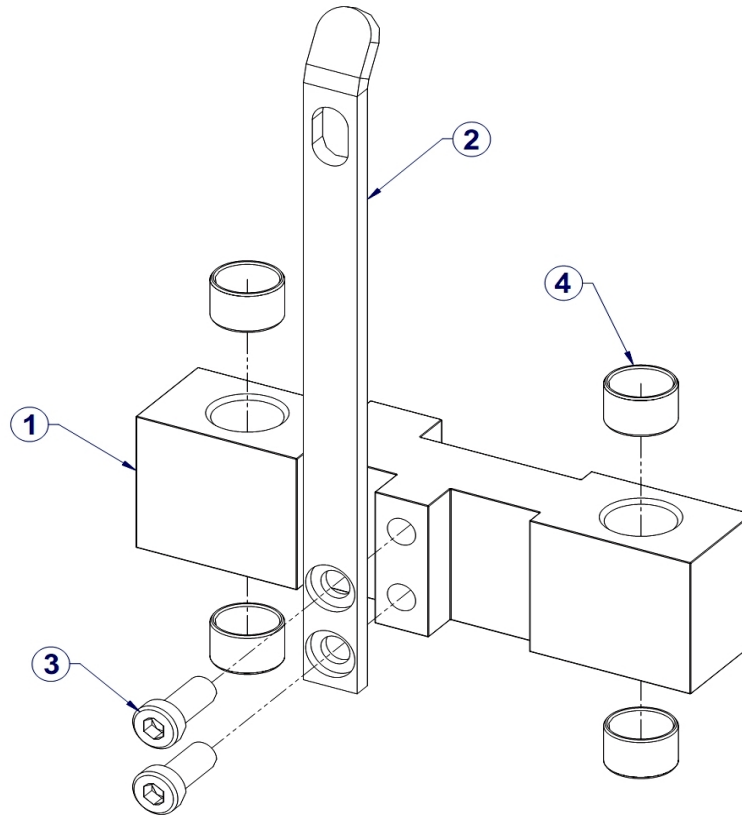


Ref #	Part Number	Qty	Description
1	8861295	1	Increment Weight
2	7328001	1	Bracket Increment Weight-5LB
3	3236202	2	Hardware: Screw 25MM
4	3202501	4	Bearing Sleeve

** Upholstery and Frame Colors are list at the end of the Parts Manual **

** Shroud Options are list at the end of the Parts Manual **

Optional 5Lb Increment Weight Assembly

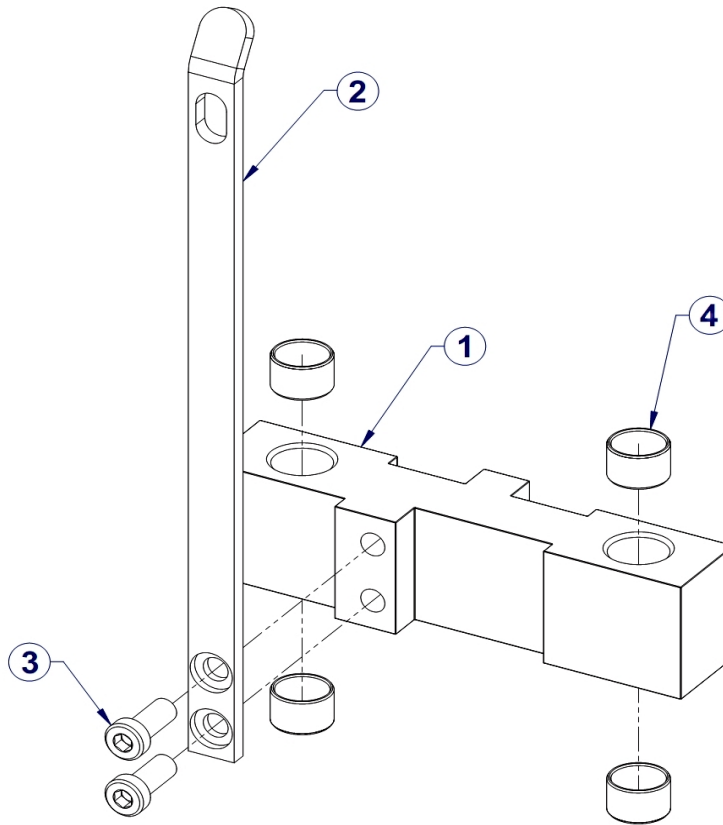


Ref #	Part Number	Qty	Description
1	8861295	1	Increment Weight
2	7328101	1	Bracket Increment Weight-10LB
3	3236202	2	Hardware: Screw 25MM
4	3202501	4	Bearing Sleeve

** Upholstery and Frame Colors are list at the end of the Parts Manual **

** Shroud Options are list at the end of the Parts Manual **

Optional 7.5Lb Increment Weight Assembly

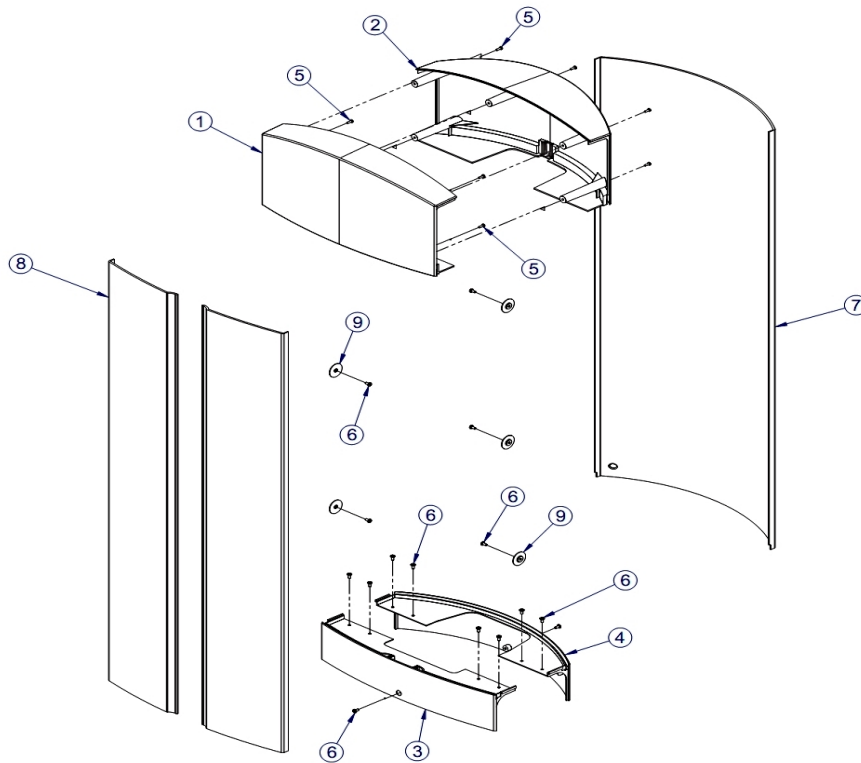


Ref #	Part Number	Qty	Description
1	8861295	1	Increment Weight
2	7328201	1	Bracket Increment Weight-15LB
3	3236202	2	Hardware: Screw 25MM
4	3202501	4	Bearing Sleeve

** Upholstery and Frame Colors are list at the end of the Parts Manual **

** Shroud Options are list at the end of the Parts Manual **

Plastic Tower Assembly

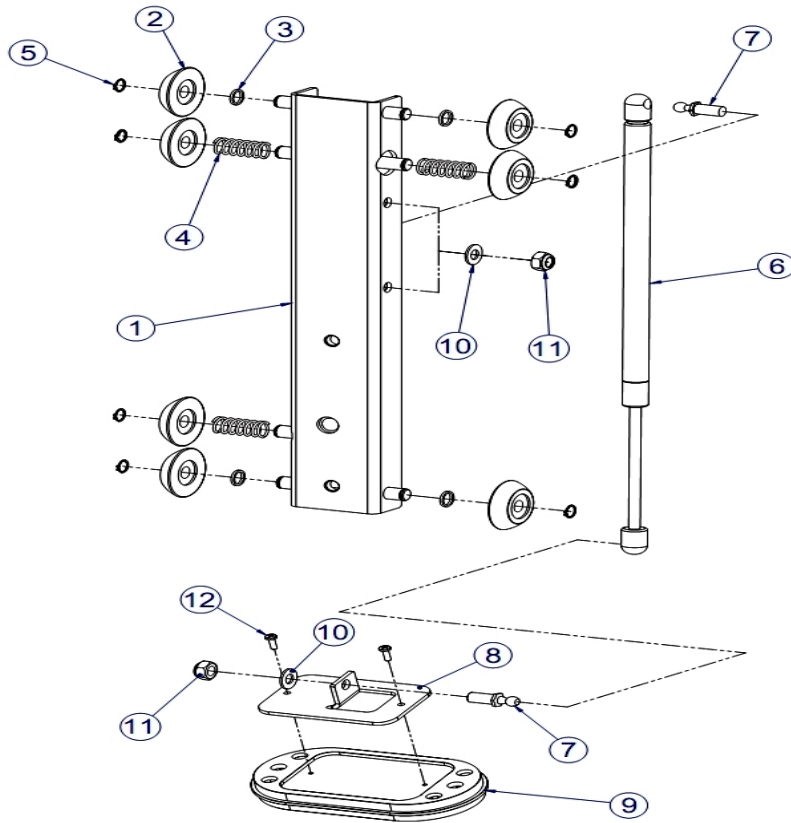


Ref #	Part Number	Qty	Description
1	7318601	1	Cover Tower-Top Front
2	7318701	1	Cover Tower - Top Rear
3	7318801	1	Cover Tower-Bottom Front
4	7318901	1	Cover Tower-Bottom Rear
5	3236501	9	Hardware: Nut 0.7" ID
6	3239101	16	Hardware: Phillips Pan Screw
7	7765701	1	Tower Shroud-Rear Short
8	7765601	2	Tower Shroud-Front Short
9	7583501	6	Retainer FZ Shroud

** Upholstery and Frame Colors are list at the end of the Parts Manual **

** Shroud Options are list at the end of the Parts Manual **

Seat Carriage Assembly

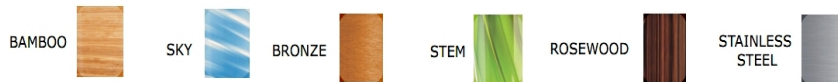
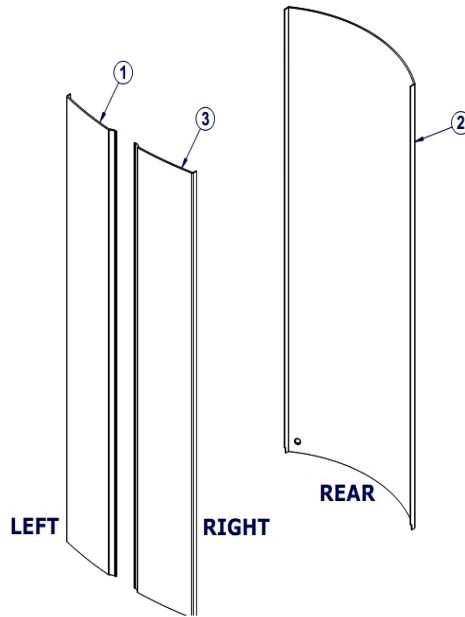


Ref #	Part Number	Qty	Description
1	7911295	1	Weldment Seat Carriage Shadow Gray
2	7889701	7	Roller Seat Carriage
3	7911901	4	Spacer .625 Diameter X 16 GA
4	7912001	3	Spring Seat Carriage
5	3232408	7	Reatining Ring 0.443" D
6	3235703	1	Gas Spring
7	7414301	2	Stud M10 Ball End M10 X 1.5
8	7339401	1	Gas Spring Bracket
9	7334001	1	Foot 2.50 X 4.49 Flov 10-0074-046 BNR
10	3273303	2	Hardware: WasherR, 3/8, THRU-HARDENED
11	3236801	2	Hardware: Nut 10 MM ID
12	3273501	2	M4 PHL PAN C ST ZN

** Upholstery and Frame Colors are list at the end of the Parts Manual **

** Shroud Options are list at the end of the Parts Manual **

Stackwraps Shroud

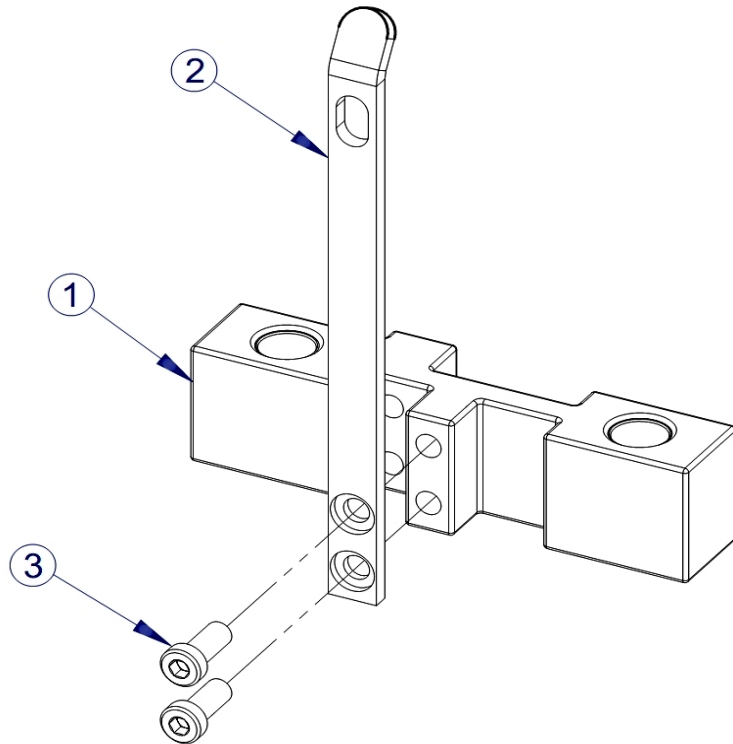


Ref #	Part Number	Qty	Description
1	8954301	1	Shroud FZ Front Short Left -Sky
1	8954601	1	Shroud FZ Front Short Left -Rosewood
1	8954501	1	Shroud FZ Front Short Left -Stem
1	8954401	1	Shroud FZ Front Left - Bronze
1	8954701	1	Shroud FZ Front Short Left -Stainless Steel
1	8954201	1	Shroud FZ Front Short Left -Bamboo
2	8949301	1	Shroud FZ Rear Short -Sky
2	8949701	1	Shroud FZ Rear Short -Stem
2	8949501	1	Shroud FZ Rear -Bronze
2	8949901	1	Shroud FZ Rear Short -Rosewood
2	8949101	1	Shroud FZ Rear Short -Bamboo
2	8950101	1	Shroud FZ Rear Short -Stainless Steel
3	8949801	1	Shroud FZ Front Short Right -Rosewood
3	8950001	1	Shroud FZ Front Short Right-Stainless Steel
3	8949201	1	Shroud FZ Front Short Right -Sky
3	8949001	1	Shroud FZ Front Short Right -Bamboo
3	8949601	1	Shroud FZ Front Short Right -Stem
3	8949401	1	Shroud FZ Front Short Right -Bronze

** Upholstery and Frame Colors are list at the end of the Parts Manual **

** Shroud Options are list at the end of the Parts Manual **

10Lb Increment Weight Assembly

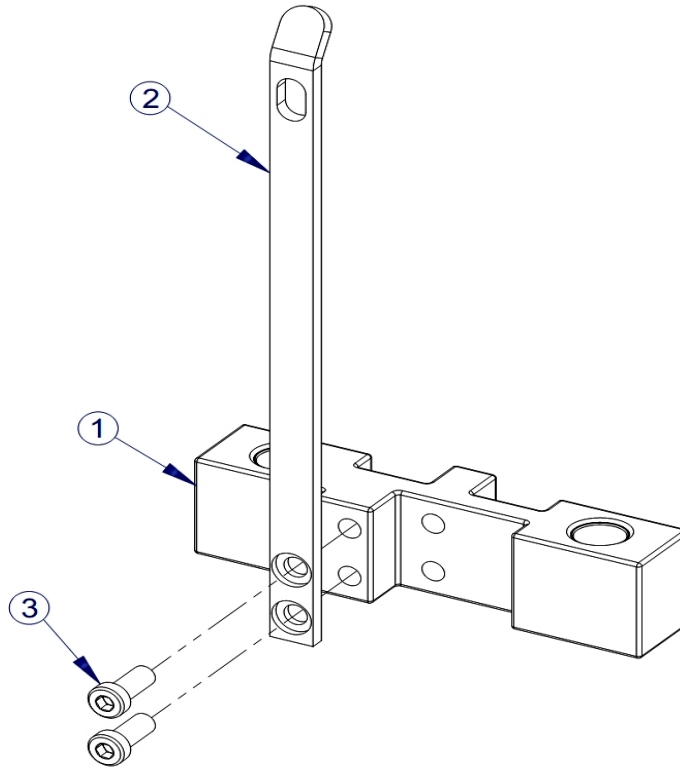


Ref #	Part Number	Qty	Description
1	7968501	1	Assembly FZ Inc Weight 5LB
2	7328101	1	Bracket Increment Weight-10LB
3	3236202	2	Hardware: Screw 25MM

** Upholstery and Frame Colors are list at the end of the Parts Manual **

** Shroud Options are list at the end of the Parts Manual **

15Lb Increment Weight Assembly

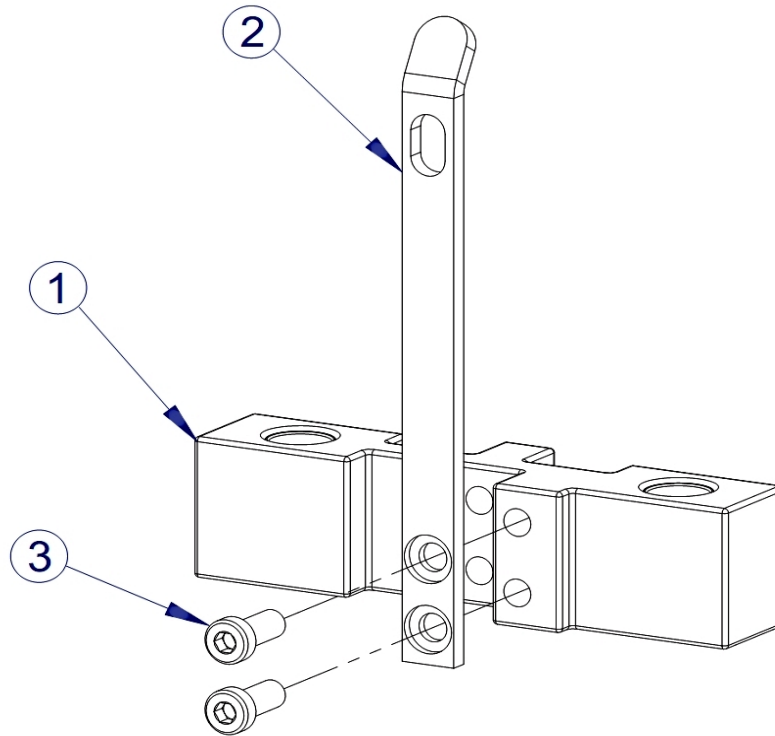


Ref #	Part Number	Qty	Description
1	7968501	1	Assembly FZ Inc Weight 5LB
2	7328201	1	Bracket Increment Weight-15LB
3	3236202	2	Hardware: Screw 25MM

** Upholstery and Frame Colors are list at the end of the Parts Manual **

** Shroud Options are list at the end of the Parts Manual **

5Lb Increment Weight Assembly



Ref #	Part Number	Qty	Description
1	7968501	1	Assembly FZ Inc Weight 5LB
2	7328001	1	Bracket Increment Weight-5LB
3	3236202	2	Hardware: Screw 25MM

** Upholstery and Frame Colors are list at the end of the Parts Manual **

** Shroud Options are list at the end of the Parts Manual **

Frame and Upholstery Color Chart

Frame Colors



Note: Include frame color in order notes when ordering frame assemblies or weldments.

Upholstery Colors



Replace '99' with the above color suffix when ordering pads (i.e. 7412399 = 7412301 BLACK)

Shroud Options Chart

STANDARD SHROUD NO WRAP



TRANSLUCENT



OPTIONAL StackWraps™

SHROUD + WRAP

BAMBOO



BRONZE



ROSEWOOD



SKY



STAINLESS
STEEL



STEM



CO-BRANDED StackWraps™

SHROUD + WRAP

(refer to co-branded parts list)



PLANET FITNESS

blink FITNESS



BLINK FITNESS

Retro Fitness



RETRO FITNESS