

# Signature Series Single - Glute

FZGL

## Parts Manual

1/5/2019 13:48:11 PM



**Table of Contents**

---

<a href="#">Component Assembly</a> .....	3
<a href="#">Head Plate Assembly</a> .....	5
<a href="#">MID-9 Tower Assembly</a> .....	7
<a href="#">MID-9 Weight Stack Assembly</a> .....	8
<a href="#">Optional MID Light-9 Weight Stack Assembly</a> .....	9
<a href="#">Optional 2.5Lb Increment Weight Assembly</a> .....	10
<a href="#">Optional 5Lb Increment Weight Assembly</a> .....	11
<a href="#">Optional 7.5Lb Increment Weight Assembly</a> .....	12
<a href="#">Stackwraps Shroud</a> .....	13
<a href="#">Standard Plastic Tower Assembly</a> .....	14
<a href="#">10Lb Increment Weight Assembly</a> .....	15
<a href="#">15Lb Increment Weight Assembly</a> .....	16
<a href="#">5Lb Increment Weight Assembly</a> .....	17

\*\* Upholstery & Frame Colors are listed at the end of the Parts Manual \*\*

\*\* Shroud Options are listed at the end of the Parts Manual \*\*

## Component Assembly

---

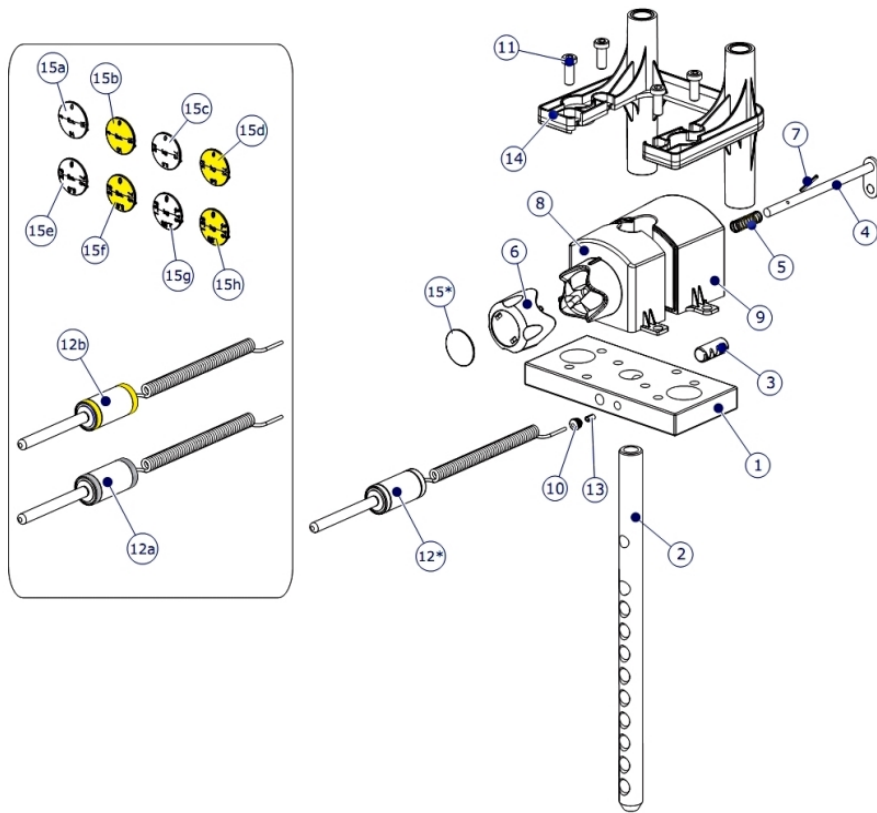
Ref #	Part Number	Qty	Description
2	7619499	1	Weldment, FZGL, Chest Support Custom
3	8106799	1	Weldment, FZGL Foot Bar Custom
5	7620799	3	Bracket, FZGL Pivot Link Custom
6	7620899	1	Bracket, FZGL Pivot Adj Link Custom
7	7619801	2	Guide Rod 1" Diameter Case Hardned X 52"
8	3108001	2	Cushion Weight Stack
9	7414301	2	Stud M10 Ball End M10 X 1.5
10	3235703	1	Gas Spring
11	7626499	1	PAD, LUMBAR, NO BACKER, SNGL STITCH Custom
12	7317901	1	Stop Bumper
13	7333801	3	End Cap FLOV Small
14	7333901	2	End Cap FLOV Large
15	6714901	2	Bushing Guide Rod
17	7625095	1	Weldment FZ Weight Stack Pulley Bracket
18	3236902	2	Hardware: Nut 16 MM ID
19	7326201	2	Cap, D-Tube-Top White
20	3238601	4	Blind Thread Insert - 1.5"
21	3104903	10	Bearing 1" ID 1.25" OD
22	7620901	1	Sleeve
23	3237801	5	Pulley 4.5" OD
24	7318201	1	Plate Pulley
25	8102901	1	Pulley Cover Full

Ref #	Part Number	Qty	Description
26	7334001	2	Foot 2.50 X 4.49 Flov 10-0074-046 BNR
27	7340201	2	Cover Foot - Straight
28	3236201	4	Hardware: Screw 20MM
29	8094101	2	Pulley Cover Partial
30	7425102	1	Pull Pin 6.750
31	7351501	1	Pull Pin Spring
32	7424803	1	KNOB TULIP STYLE
32	7424801	1	Pop Pin Knob
33	7324902	2	Shaft Tapped 1" D 5.33"
34	7324904	2	Shaft Tapped 1" D 3.58"
35	3273303	25	Hardware: WasherR, 3/8, THRU-HARDENED
36	6757701	1	Cable Clip
37	3236206	3	Hardware: Screw 45MM
38	3236202	12	Hardware: Screw 25MM
39	3236801	6	Hardware: Nut 10 MM ID
40	7662802	2	Grip Ring 1.5"
41	7662902	2	Grip Cap
42	3235802	2	Grip 1.5" OD
43	3236701	1	Fender Washer 3/8"
44	3245601	3	Linear Bearing
45	7435301	2	Collar Shaft 1.020 ID
46	3253501	1	Pin Groove
47	3237403	2	Plug 1" Hole
48	3202601	4	Reatining Ring1/16" D
49	7423719	1	Cable FZGL 166"
50	7509801	1	Label FZGL Logo
51	8039501	1	Label Warning Triangle 10-0099-067 BNR
52	7422004	1	Label 2" ASTM Warning
53	7571301	1	Label Serial Number
54	3251202	4	Hardware: Screw 25MM
55	3254703	4	Hardware: Nut 10 MM ID
56	3242901	2	Set Screw 5/16 X 1/4
57	3236207	1	Hardware: Screw 50MM
58	7509709	1	LABEL, FZGL PLACARD SWE
58	7509701	1	Label FZGL Placard English
58	7509703	1	LABEL, FZGL PLACARD FRN
58	7509704	1	LABEL, FZGL PLACARD SPN
58	7509706	1	Label, FZGL Placard Dutch
58	7509710	1	Label, FZGL Placard Russian
58	7509705	1	Label, FZGL Placard Italian
58	7509707	1	LABEL, FZGL PLACARD JAP
58	7509708	1	LABEL, FZGL PLACARD POR
58	7509702	1	LABEL, FZGL PLACARD GER
59	3236208	1	Hardware: Screw 55MM
60	7630101	2	Retainer CM/MJ Pulley
61	7335401	1	Hardware: Nut 10 MM ID
62	7564501	1	Pin FZ/PS Weight Plate
63	3243901	1	Ring11 MM
64	9310401	1	LABEL, FZGL, NFC-QR TAG

\*\* Upholstery and Frame Colors are list at the end of the Parts Manual \*\*

\*\* Shroud Options are list at the end of the Parts Manual \*\*

## Head Plate Assembly



Ref #	Part Number	Qty	Description
1	7326701	1	Head Plate
2	7347801	1	Stem 9 Plate
3	3236001	1	SpringPin Bushing
4	7327201	1	Increment Weight Pin
5	8024501	1	Spring
6	7326101	1	Incremental Weight Selector Knob
7	3110008	1	Roll Pin 1/8" D 1-1/4" L
8	7326401	1	Selector Housing - Front
9	7326501	1	Selector Housing - Rear
10	7356501	1	Plug Lanyard Attachment
11	3236202	4	Hardware: Screw 25MM
12B	7338103	1	Weight Stack Selector Pin
12A	7338101	1	Weight Stack Selector Pin
13	7523601	1	Crimp Cable
14	8867301	1	Assembly FZ Stabilizer with Bushings
15F	8865803	1	FZ Selector Knob Cap - 2.5 LBS Yellow
15H	8946503	1	CAP, FZ SELECTOR KNOB - 1.25 KG, YELLOW
15B	7398603	1	Selector Knob Cap - 5 LBS Yellow
15A	7398601	1	Selector Knob Cap - 5 LBS Silver
15E	8865801	1	FZ Selector Knob Cap - 2.5 LBS Silver
15C	7398701	1	Selector Knob Cap - 2.5 KG Silver
15G	8946501	1	CAP, FZ SELECTOR KNOB - 1.25 KG, SILVER

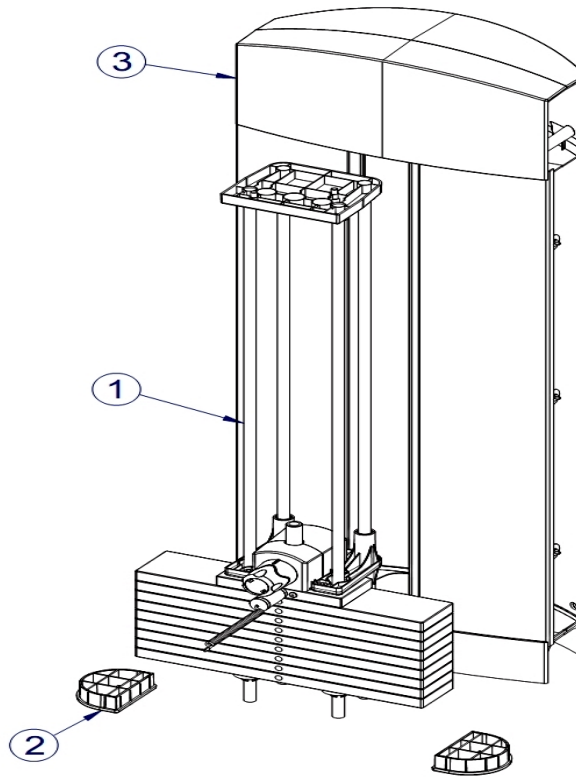
<b>Ref #</b>	<b>Part Number</b>	<b>Qty</b>	<b>Description</b>
15D	7398703	1	Selector Knob Cap - 2.5 KG Yellow

\*\* Upholstery and Frame Colors are list at the end of the Parts Manual \*\*

\*\* Shroud Options are list at the end of the Parts Manual \*\*

# MID-9 Tower Assembly

---

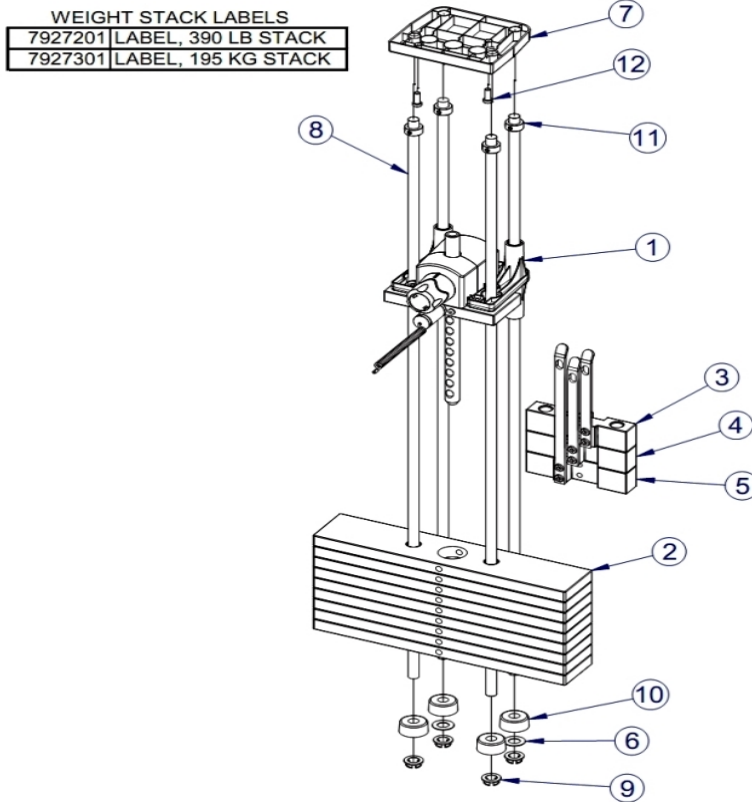


Ref #	Part Number	Qty	Description
2	7326301	2	Cap D-Tube-Bottom

\*\* Upholstery and Frame Colors are list at the end of the Parts Manual \*\*

\*\* Shroud Options are list at the end of the Parts Manual \*\*

# MID-9 Weight Stack Assembly



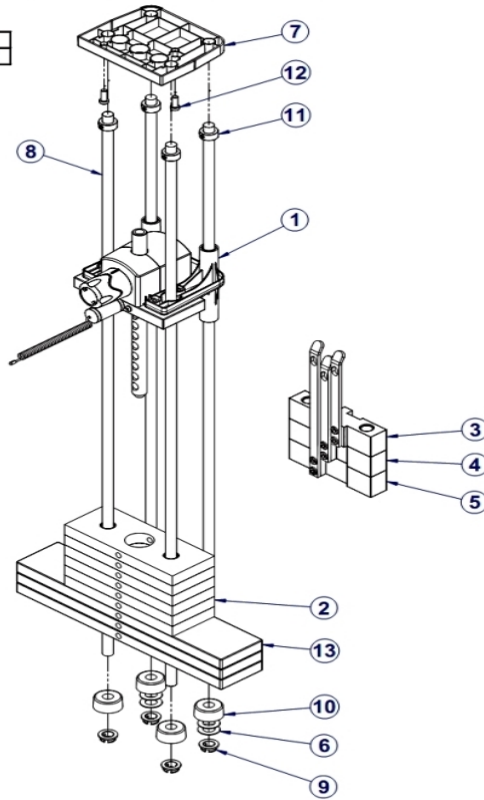
Ref #	Part Number	Qty	Description
1	7350601	1	Assembly Head Plate (9)
2	7328401	9	Weight Plate 20 LB
3	7327601	1	Assembly Increment Weight-5LB
4	7327701	1	Assembly Increment Weight-10LB
5	7327801	1	Assembly Increment Weight-15LB
6	7351001	2	Spacer Increment Weight Stack
7	7621101	1	Guide Rod Retainer Top
8	7328602	4	Guide Rod .75" OD 53.50" L
9	7337901	4	Bushing Guide Rod
10	7352101	4	Cushion Weight Stack
11	3103301	4	Shaft Collar 3/4" ID Zinc
12	3236202	2	Hardware: Screw 25MM
-	7927301	1	Label 195 KG Stack
-	7927201	1	Label 390 LB Stack

\*\* Upholstery and Frame Colors are list at the end of the Parts Manual \*\*

\*\* Shroud Options are list at the end of the Parts Manual \*\*

## Optional MID Light-9 Weight Stack Assembly

WEIGHT STACK LABELS  
8867101 LABEL, 190 LB STACK

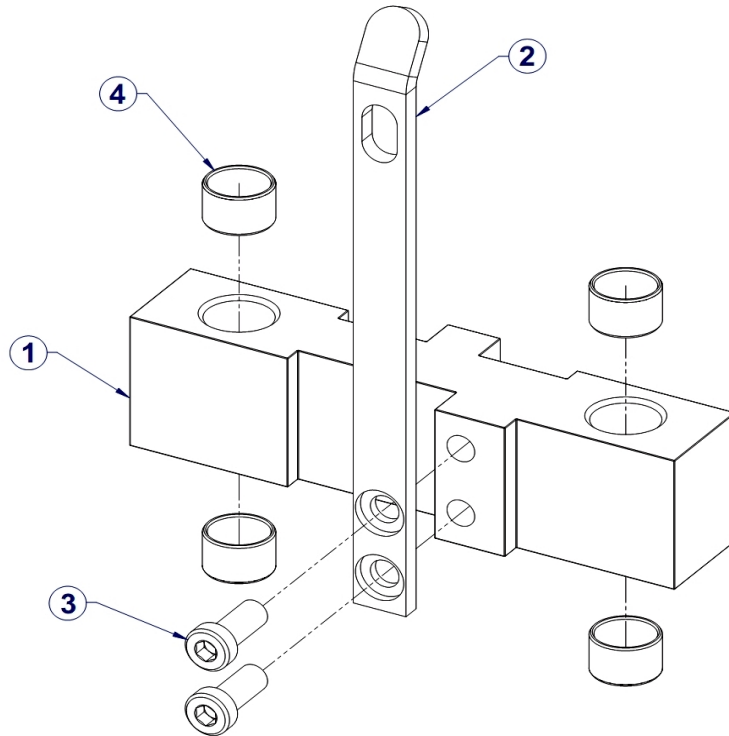


Ref #	Part Number	Qty	Description
1	7350601	1	Assembly Head Plate (9)
2	7353701	6	Weight Plate 10 LB
3	8861301	1	Assembly FZ Inc Weight - 2.5 LB
4	8861401	1	Assembly FZ Inc Weight - 5 LB
5	8861501	1	Assembly FZ Inc Weight - 7.5 LB
6	7351001	4	Spacer Increment Weight Stack
7	7621101	1	Guide Rod Retainer Top
8	7328602	4	Guide Rod .75" OD 53.50" L
9	7337901	4	Bushing Guide Rod
10	7352101	4	Cushion Weight Stack
11	3103301	4	Shaft Collar 3/4" ID Zinc
12	3236202	2	Hardware: Screw 25MM
13	7328401	3	Weight Plate 20 LB
-	8867101	1	Label 190 LB Stack

\*\* Upholstery and Frame Colors are list at the end of the Parts Manual \*\*

\*\* Shroud Options are list at the end of the Parts Manual \*\*

## Optional 2.5Lb Increment Weight Assembly

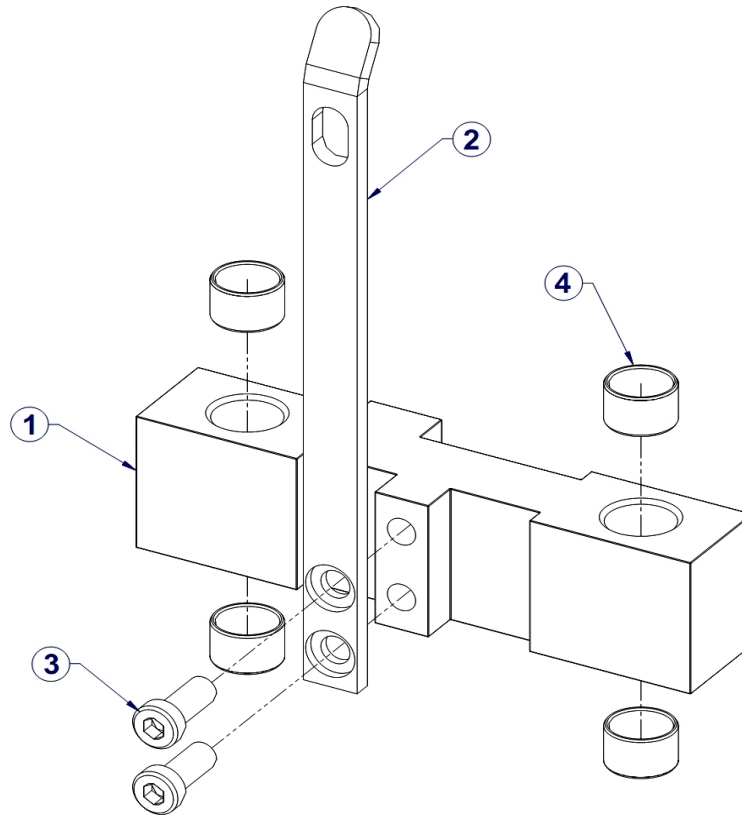


Ref #	Part Number	Qty	Description
1	8861295	1	Increment Weight
2	7328001	1	Bracket Increment Weight-5LB
3	3236202	2	Hardware: Screw 25MM
4	3202501	4	Bearing Sleeve

\*\* Upholstery and Frame Colors are list at the end of the Parts Manual \*\*

\*\* Shroud Options are list at the end of the Parts Manual \*\*

## Optional 5Lb Increment Weight Assembly

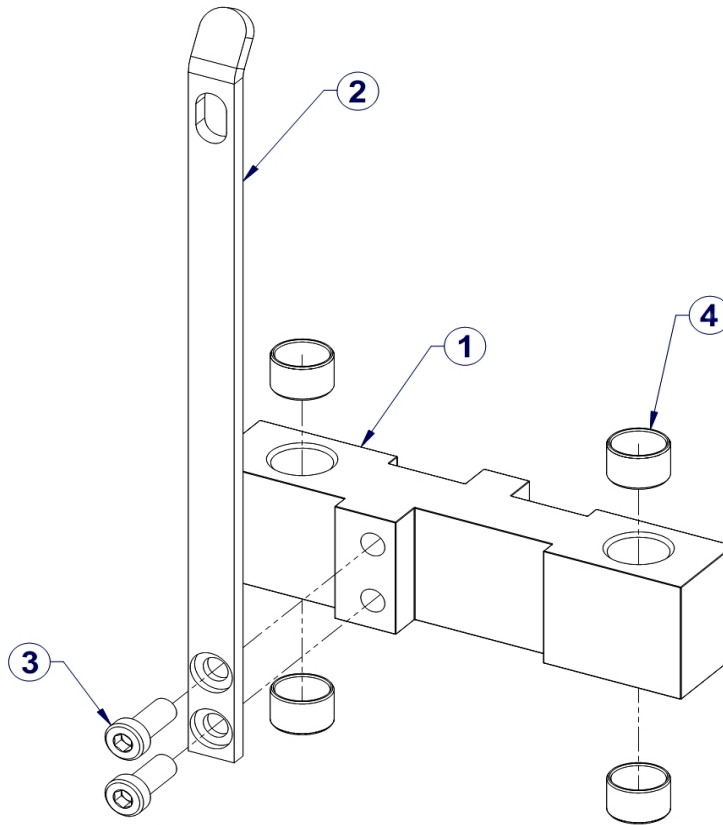


Ref #	Part Number	Qty	Description
1	8861295	1	Increment Weight
2	7328101	1	Bracket Increment Weight-10LB
3	3236202	2	Hardware: Screw 25MM
4	3202501	4	Bearing Sleeve

\*\* Upholstery and Frame Colors are list at the end of the Parts Manual \*\*

\*\* Shroud Options are list at the end of the Parts Manual \*\*

## Optional 7.5Lb Increment Weight Assembly

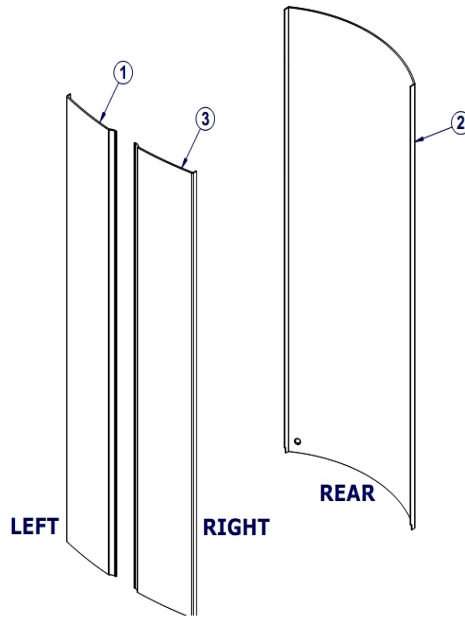


Ref #	Part Number	Qty	Description
1	8861295	1	Increment Weight
2	7328201	1	Bracket Increment Weight-15LB
3	3236202	2	Hardware: Screw 25MM
4	3202501	4	Bearing Sleeve

\*\* Upholstery and Frame Colors are list at the end of the Parts Manual \*\*

\*\* Shroud Options are list at the end of the Parts Manual \*\*

# Stackwraps Shroud

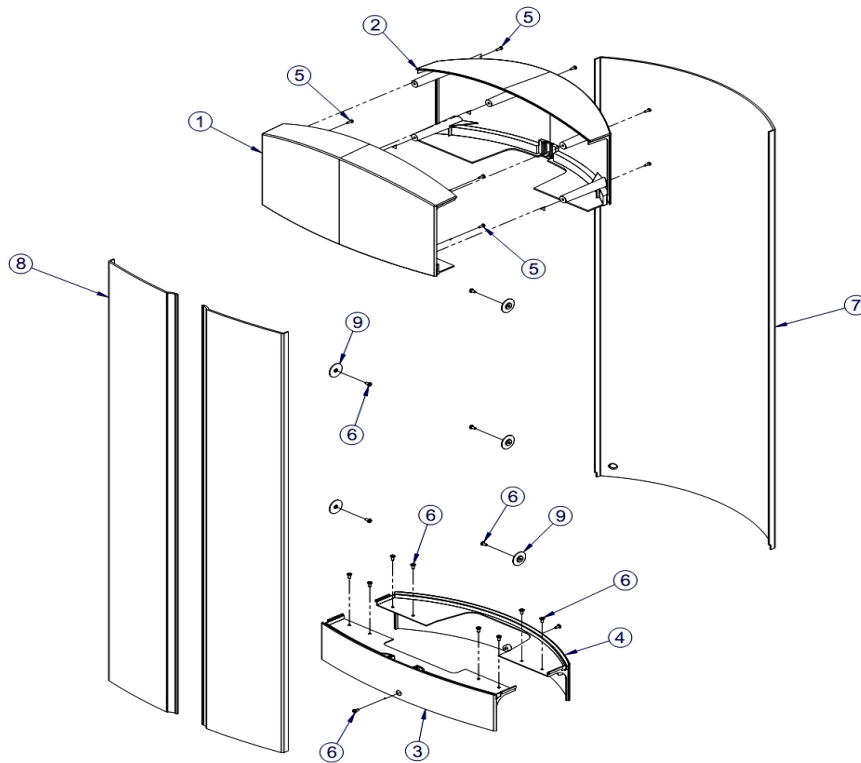


Ref #	Part Number	Qty	Description
1	8954401	1	Shroud FZ Front Left - Bronze
1	8954301	1	Shroud FZ Front Short Left -Sky
1	8954601	1	Shroud FZ Front Short Left -Rosewood
1	8954501	1	Shroud FZ Front Short Left -Stem
1	8954201	1	Shroud FZ Front Short Left -Bamboo
1	8954701	1	Shroud FZ Front Short Left -Stainless Steel
2	8949101	1	Shroud FZ Rear Short -Bamboo
2	8949701	1	Shroud FZ Rear Short -Stem
2	8949301	1	Shroud FZ Rear Short -Sky
2	8949501	1	Shroud FZ Rear -Bronze
2	8950101	1	Shroud FZ Rear Short -Stainless Steel
2	8949901	1	Shroud FZ Rear Short -Rosewood
3	8949801	1	Shroud FZ Front Short Right -Rosewood
3	8949601	1	Shroud FZ Front Short Right -Stem
3	8950001	1	Shroud FZ Front Short Right-Stainless Steel
3	8949001	1	Shroud FZ Front Short Right -Bamboo
3	8949201	1	Shroud FZ Front Short Right -Sky
3	8949401	1	Shroud FZ Front Short Right -Bronze

\*\* Upholstery and Frame Colors are list at the end of the Parts Manual \*\*

\*\* Shroud Options are list at the end of the Parts Manual \*\*

# Standard Plastic Tower Assembly

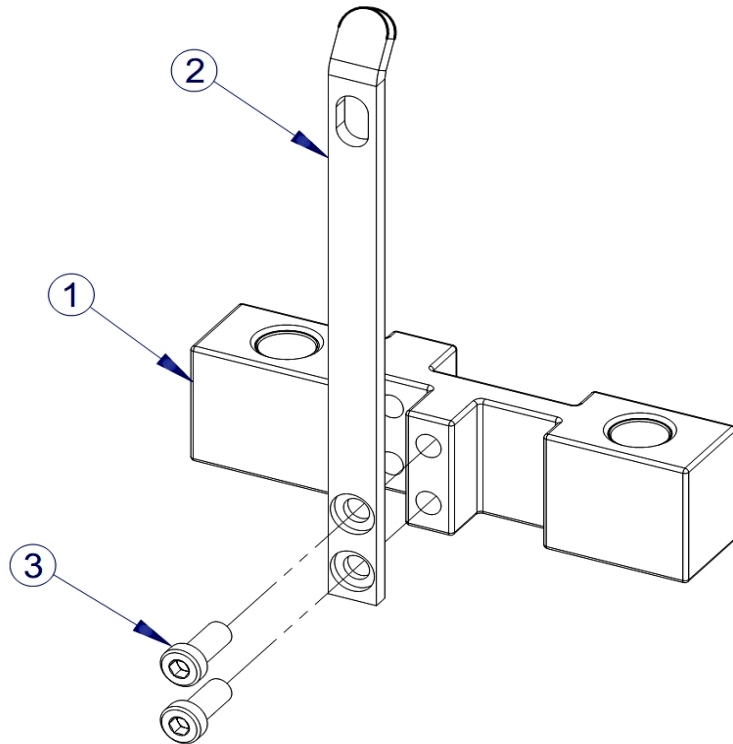


Ref #	Part Number	Qty	Description
1	7318601	1	Cover Tower-Top Front
2	7318701	1	Cover Tower - Top Rear
3	7318801	1	Cover Tower-Bottom Front
4	7318901	1	Cover Tower-Bottom Rear
5	3236501	9	Hardware: Nut 0.7" ID
6	3239101	16	Hardware: Phillips Pan Screw
7	7765701	1	Tower Shroud-Rear Short
8	7765601	2	Tower Shroud-Front Short
9	7583501	6	Retainer FZ Shroud

\*\* Upholstery and Frame Colors are list at the end of the Parts Manual \*\*

\*\* Shroud Options are list at the end of the Parts Manual \*\*

# 10Lb Increment Weight Assembly



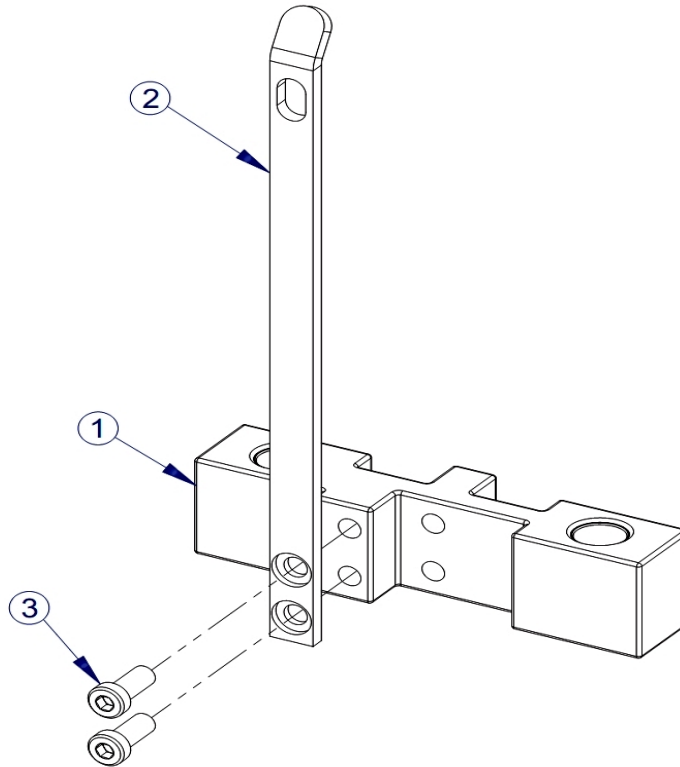
Ref #	Part Number	Qty	Description
1	7968501	1	Assembly FZ Inc Weight 5LB
2	7328101	1	Bracket Increment Weight-10LB
3	3236202	2	Hardware: Screw 25MM

\*\* Upholstery and Frame Colors are list at the end of the Parts Manual \*\*

\*\* Shroud Options are list at the end of the Parts Manual \*\*

# 15Lb Increment Weight Assembly

---



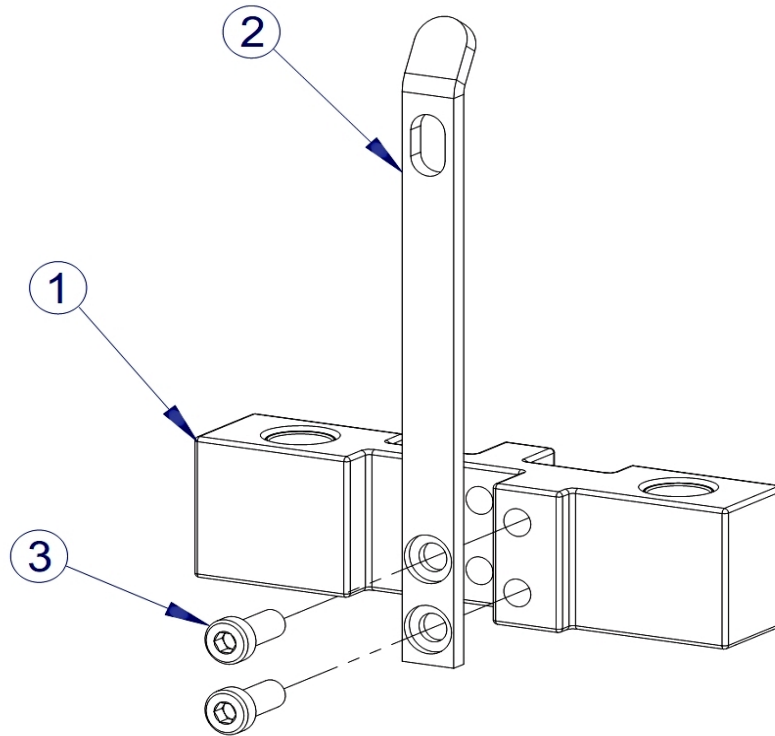
Ref #	Part Number	Qty	Description
1	7968501	1	Assembly FZ Inc Weight 5LB
2	7328201	1	Bracket Increment Weight-15LB
3	3236202	2	Hardware: Screw 25MM

\*\* Upholstery and Frame Colors are list at the end of the Parts Manual \*\*

\*\* Shroud Options are list at the end of the Parts Manual \*\*

## 5Lb Increment Weight Assembly

---



Ref #	Part Number	Qty	Description
1	7968501	1	Assembly FZ Inc Weight 5LB
2	7328001	1	Bracket Increment Weight-5LB
3	3236202	2	Hardware: Screw 25MM

\*\* Upholstery and Frame Colors are list at the end of the Parts Manual \*\*

\*\* Shroud Options are list at the end of the Parts Manual \*\*

# Frame and Upholstery Color Chart

## Frame Colors



Note: Include frame color in order notes when ordering frame assemblies or weldments.

## Upholstery Colors



Replace '99' with the above color suffix when ordering pads (i.e. 7412399 = 7412301 BLACK)

### Shroud Options Chart

---

#### STANDARD SHROUD NO WRAP



TRANSLUCENT



#### OPTIONAL StackWraps™

SHROUD + WRAP

BAMBOO



BRONZE



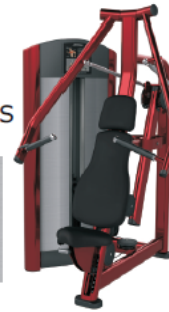
ROSEWOOD



SKY



STAINLESS  
STEEL



STEM



#### CO-BRANDED StackWraps™

SHROUD + WRAP

(refer to co-branded parts list)



PLANET FITNESS

blink FITNESS



BLINK FITNESS

Retro Fitness



RETRO FITNESS