

Signature Series Single - Hip Adduction

FZHAD

Parts Manual

1/5/2019 13:48:12 PM



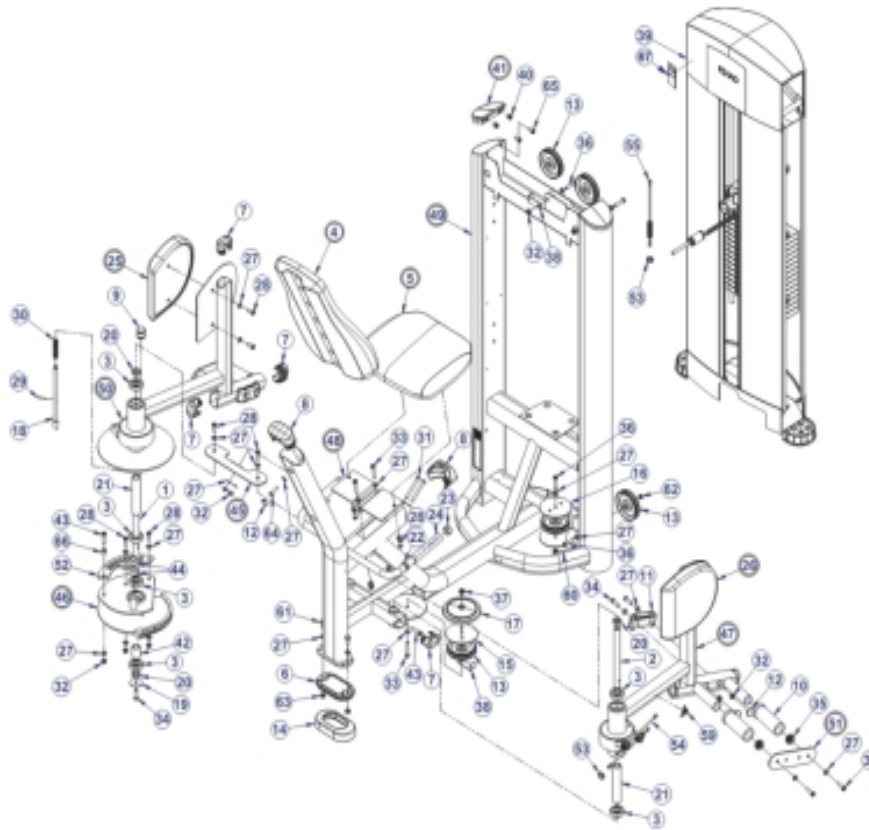
Table of Contents

Component Assembly	3
Head Plate Assembly	6
MID-14 Tower HAB/HAD Assembly	8
Optional Light MID-14 Tower HAB/HAD Assembly	10
Optional 2.5Lb Increment Weight Assembly	12
Optional 5Lb Increment Weight Assembly	13
Optional 7.5Lb Increment Weight Assembly	14
Stackwraps Shroud	15
10Lb Increment Weight Assembly	16
15Lb Increment Weight Assembly	17
5Lb Increment Weight Assembly	18

** Upholstery & Frame Colors are listed at the end of the Parts Manual **

** Shroud Options are listed at the end of the Parts Manual **

Component Assembly



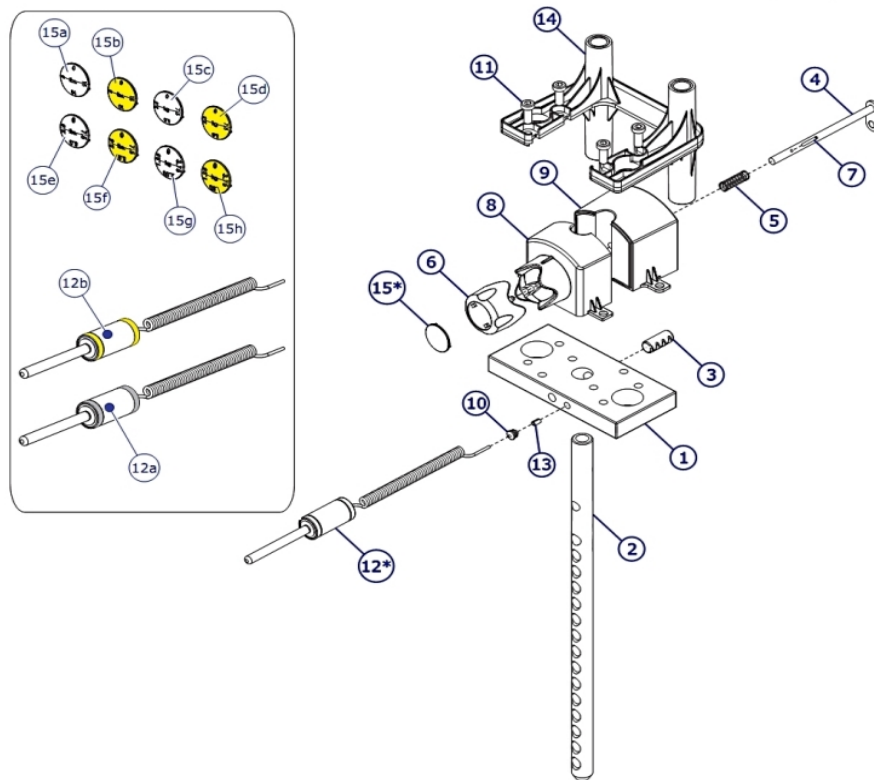
Ref #	Part Number	Qty	Description
1	7592001	1	Shaft 25MM
2	7592101	1	Shaft 25MM
3	3235601	6	Ball Bearing
4	7474199	1	ASSY, LARGE BACK PAD Custom
5	7297299	1	PAD, LARGE CHAIR, SNGL STITCH Custom
6	7334001	1	Foot 2.50 X 4.49 Flov 10-0074-046 BNR
7	7333801	8	End Cap FLOV Small
8	7333901	2	End Cap FLOV Large
9	7424803	1	KNOB TULIP STYLE
9	7424801	1	Pop Pin Knob
10	7606201	4	User Arm Grip
11	7352001	2	Bumper
12	3237403	6	Plug 1" Hole
13	3237801	5	Pulley 4.5" OD
14	7340201	1	Cover Foot - Straight
15	7318201	1	Plate Pulley
16	7318295	1	Plate Pulley Shadow Gray
17	8102901	1	Pulley Cover Full
18	7795202	1	Pin Spring-Ratchet - Long
19	7322301	1	Plate 1.97 OD X .447 ID 10 GA
20	7330001	3	Spacer Internal X .403
21	7330005	2	Spacer Internal X 6.265

Ref #	Part Number	Qty	Description
22	7662801	2	Grip Ring 1.25"
23	7662901	2	Grip Cap
24	3235801	2	Grip - 1.25" OD
25	7626599	1	Pad, Hip Hip Adduction/Hip Abduction Left, No Backer Custom
26	7626699	1	Pad, Hip Hip Adduction/Hip Abduction Right, No Backer Custom
27	3273303	41	Hardware: WasherR, 3/8, THRU-HARDENED
28	3236202	10	Hardware: Screw 25MM
29	3110008	1	Roll Pin 1/8" D 1-1/4" L
30	7351501	1	Pull Pin Spring
31	3236214	2	Hardware: Screw 85MM
32	3236801	14	Hardware: Nut 10 MM ID
33	3236208	3	Hardware: Screw 55MM
34	3236204	9	Hardware: Screw 35MM
35	7347301	4	Hardware: Nut 10 MM ID
36	3236206	4	Hardware: Screw 45MM
37	7335401	1	Hardware: Nut 10 MM ID
38	6757701	2	Cable Clip
40	3238601	4	Blind Thread Insert - 1.5"
41	7326201	2	Cap, D-Tube-Top White
42	7330006	1	Spacer Internal X 1.765
43	3236205	3	Hardware: Screw 40 MM
44	7690101	2	Bumper Sleeve- 1.000 ID
45	7593501	1	Bracket FZ Shaft
46	7570001	1	Weldment Cam FZHAD
47	7567701	1	Weldment FZHAD Pivot Leg-Right
48	7593401	1	Bracket FZ Seat
50	7567601	1	Weldment FZHAD Pivot Leg-Left
51	7609501	2	Foot Plate FZHAD/FZHAB
52	8979501	1	Plate FZHAD Adjuster
53	3236902	5	Hardware: Nut 16 MM ID
54	7573701	2	Cable PSHAD/HAB X 25-7/8
55	7423720	1	Cable FZHAD 139"
56	7655510	1	Label FZHAD Placard Russian
56	7655502	1	Label FZHAD Placard German
56	7655506	1	Label FZHAD Placard Dutch
56	7655503	1	Label FZHAD Placard French
56	7655505	1	Label FZHAD Placard Italian
56	7655507	1	Label FZHAD Placard Japanese
56	7655501	1	Label FZHAD Placard English
56	7655504	1	Label FZHAD Placard Spanish
56	7655509	1	Label FZHAD Placard Swedish
56	7655508	1	Label FZHAD Placard Portugese
57	7655401	1	Label FZHAD Logo
58	8220099	1	Label, ASTM, Select Vertical - Custom
59	8039501	2	Label Warning Triangle 10-0099-067 BNR
60	7571301	1	Label Serial Number
61	3251202	2	Hardware: Screw 25MM
62	3236901	1	Hardware: Nut Hex Jam 10 MM
63	3254703	2	Hardware: Nut 10 MM ID
64	3251203	2	Hardware: Screw 30MM
65	3236201	4	Hardware: Screw 20MM
66	LEA7385203	1	Spacer
67	9310601	1	LABEL, FZHAD, NFC-QR TAG

** Upholstery and Frame Colors are list at the end of the Parts Manual **

** Shroud Options are list at the end of the Parts Manual **

Head Plate Assembly



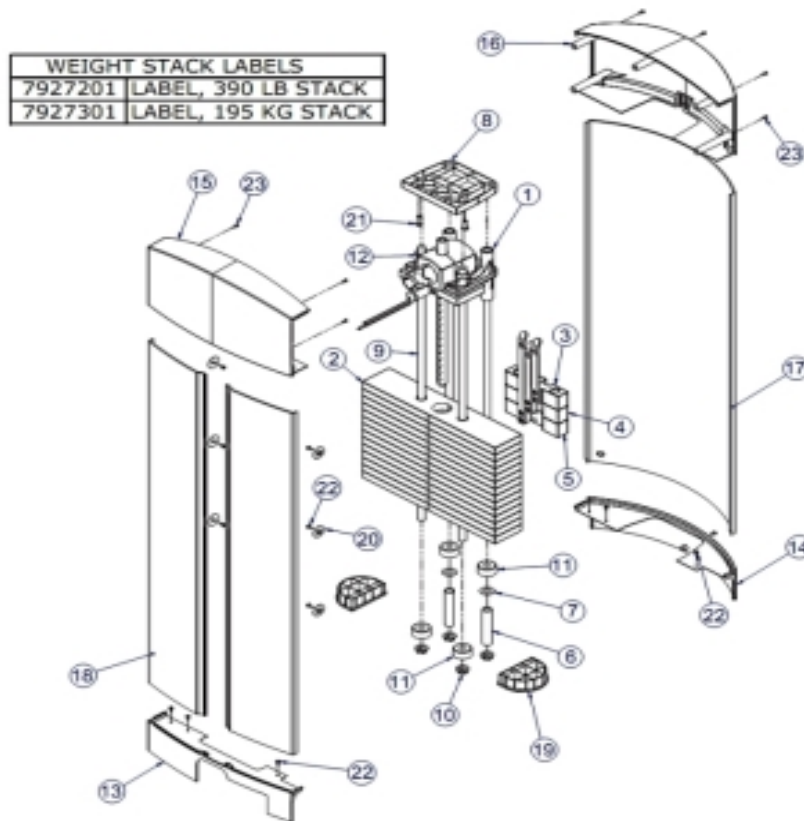
Ref #	Part Number	Qty	Description
1	7326701	1	Head Plate
2	7328901	1	Stem 14 Plate
3	3236001	1	SpringPin Bushing
4	7327201	1	Increment Weight Pin
5	8024501	1	Spring
6	7326101	1	Incremental Weight Selector Knob
7	3110008	1	Roll Pin 1/8" D 1-1/4" L
8	7326401	1	Selector Housing - Front
9	7326501	1	Selector Housing - Rear
10	7356501	1	Plug Lanyard Attachment
11	3236202	4	Hardware: Screw 25MM
12B	7338103	1	Weight Stack Selector Pin
12A	7338101	1	Weight Stack Selector Pin
13	7523601	1	Crimp Cable
14	8867301	1	Assembly FZ Stabilizer with Bushings
15F	8865803	1	FZ Selector Knob Cap - 2.5 LBS Yellow
15H	8946503	1	CAP, FZ SELECTOR KNOB - 1.25 KG, YELLOW
15B	7398603	1	Selector Knob Cap - 5 LBS Yellow
15A	7398601	1	Selector Knob Cap - 5 LBS Silver
15E	8865801	1	FZ Selector Knob Cap - 2.5 LBS Silver
15C	7398701	1	Selector Knob Cap - 2.5 KG Silver
15G	8946501	1	CAP, FZ SELECTOR KNOB - 1.25 KG, SILVER

Ref #	Part Number	Qty	Description
15D	7398703	1	Selector Knob Cap - 2.5 KG Yellow

** Upholstery and Frame Colors are list at the end of the Parts Manual **

** Shroud Options are list at the end of the Parts Manual **

MID-14 Tower HAB/HAD Assembly



Ref #	Part Number	Qty	Description
1	7350701	1	Assembly Head Plate (14)
2	7328401	14	Weight Plate 20 LB
3	7327601	1	Assembly Increment Weight-5LB
4	7327701	1	Assembly Increment Weight-10LB
5	7327801	1	Assembly Increment Weight-15LB
6	7328701	2	Spacer Inc Weight Stack 14 Plate
7	7351001	2	Spacer Increment Weight Stack
8	7621101	1	Guide Rod Retainer Top
9	7328610	4	Guide Rod .75 OD Solid X 39.75
10	7337901	4	Bushing Guide Rod
11	7352101	4	Cushion Weight Stack
12	3103301	4	Shaft Collar 3/4" ID Zinc
13	7592301	1	Tower Cover - Bottom Front
14	7592401	1	Tower Cover - Bottom Rear
15	7318601	1	Cover Tower-Top Front
16	7318701	1	Cover Tower - Top Rear
17	7765701	1	Tower Shroud-Rear Short
18	7765601	2	Tower Shroud-Front Short
19	7326301	2	Cap D-Tube-Bottom
20	7583501	6	Retainer FZ Shroud
21	3236202	2	Hardware: Screw 25MM
22	3239101	13	Hardware: Phillips Pan Screw

Ref #	Part Number	Qty	Description
23	3236501	9	Hardware: Nut 0.7" ID
-	7927201	1	Label 390 LB Stack
-	7927301	1	Label 195 KG Stack

** Upholstery and Frame Colors are list at the end of the Parts Manual **

** Shroud Options are list at the end of the Parts Manual **

Optional Light MID-14 Tower HAB/HAD Assembly

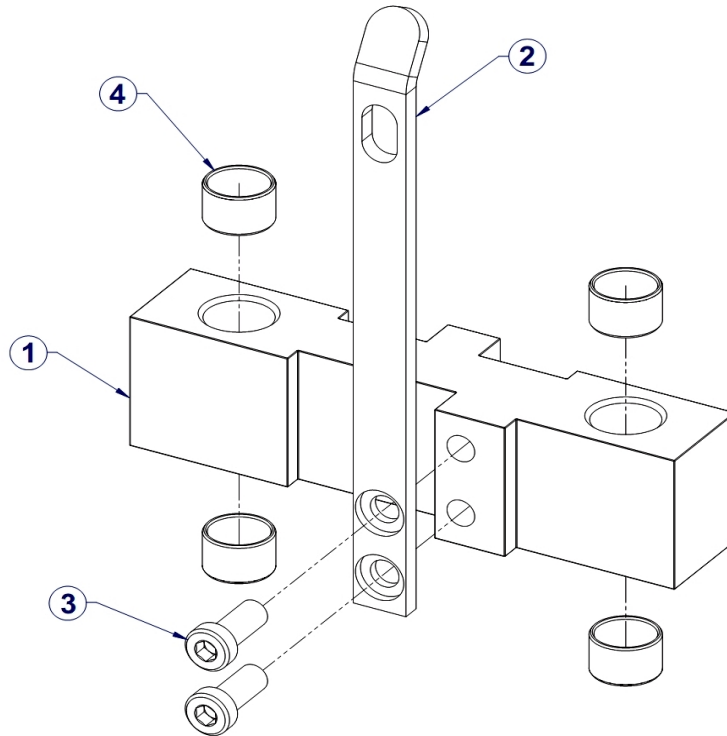
Ref #	Part Number	Qty	Description
1	7350701	1	Assembly Head Plate (14)
2	7353701	8	Weight Plate 10 LB
3	8861301	1	Assembly FZ Inc Weight - 2.5 LB
4	8861401	1	Assembly FZ Inc Weight - 5 LB
5	8861501	1	Assembly FZ Inc Weight - 7.5 LB
6	7328701	2	Spacer Inc Weight Stack 14 Plate
7	7351001	2	Spacer Increment Weight Stack
8	7621101	1	Guide Rod Retainer Top
9	7328610	4	Guide Rod .75 OD Solid X 39.75
10	7337901	4	Bushing Guide Rod
11	7352101	4	Cushion Weight Stack
12	3103301	4	Shaft Collar 3/4" ID Zinc
13	7592301	1	Tower Cover - Bottom Front
14	7592401	1	Tower Cover - Bottom Rear
15	7318601	1	Cover Tower-Top Front
16	7318701	1	Cover Tower - Top Rear
17	7765701	1	Tower Shroud-Rear Short
18	7765601	2	Tower Shroud-Front Short
19	7326301	2	Cap D-Tube-Bottom
20	7583501	6	Retainer FZ Shroud
21	3236202	2	Hardware: Screw 25MM
22	3239101	13	Hardware: Phillips Pan Screw

Ref #	Part Number	Qty	Description
23	3236501	9	Hardware: Nut 0.7" ID
24	7328401	6	Weight Plate 20 LB
-	8867001	1	Label 310 LB Stack

** Upholstery and Frame Colors are list at the end of the Parts Manual **

** Shroud Options are list at the end of the Parts Manual **

Optional 2.5Lb Increment Weight Assembly

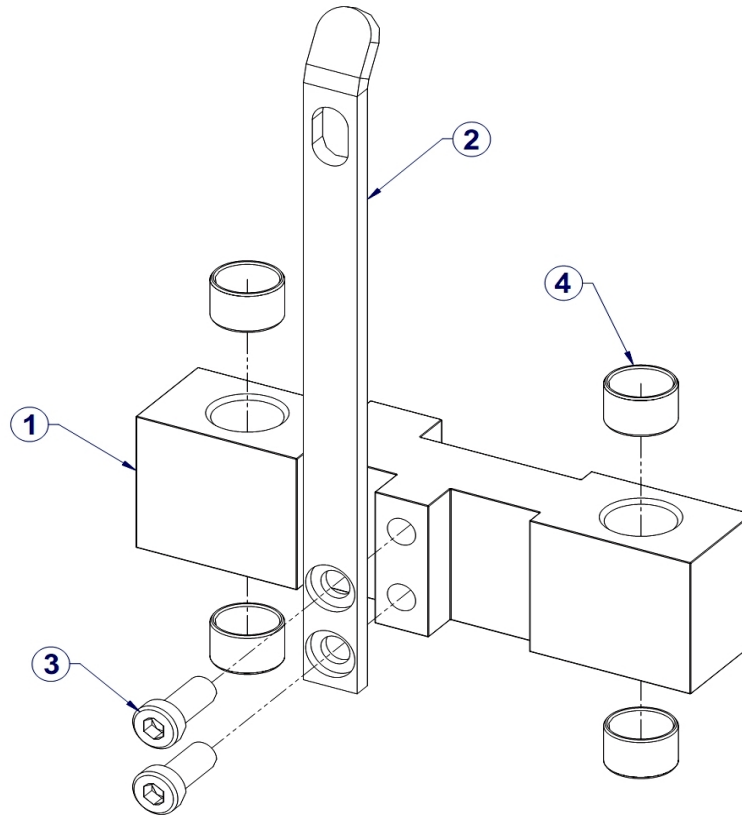


Ref #	Part Number	Qty	Description
1	8861295	1	Increment Weight
2	7328001	1	Bracket Increment Weight-5LB
3	3236202	2	Hardware: Screw 25MM
4	3202501	4	Bearing Sleeve

** Upholstery and Frame Colors are list at the end of the Parts Manual **

** Shroud Options are list at the end of the Parts Manual **

Optional 5Lb Increment Weight Assembly

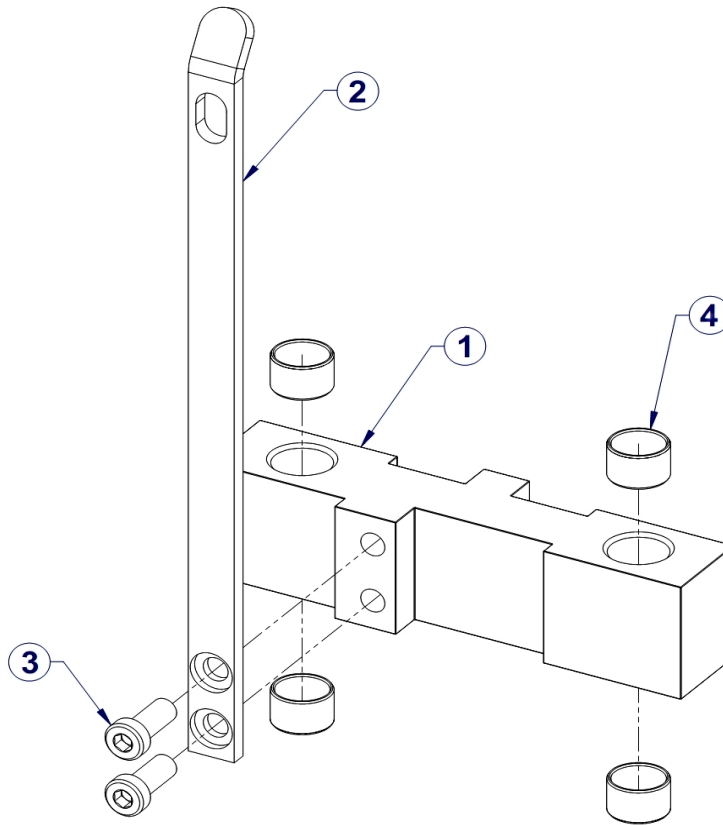


Ref #	Part Number	Qty	Description
1	8861295	1	Increment Weight
2	7328101	1	Bracket Increment Weight-10LB
3	3236202	2	Hardware: Screw 25MM
4	3202501	4	Bearing Sleeve

** Upholstery and Frame Colors are list at the end of the Parts Manual **

** Shroud Options are list at the end of the Parts Manual **

Optional 7.5Lb Increment Weight Assembly

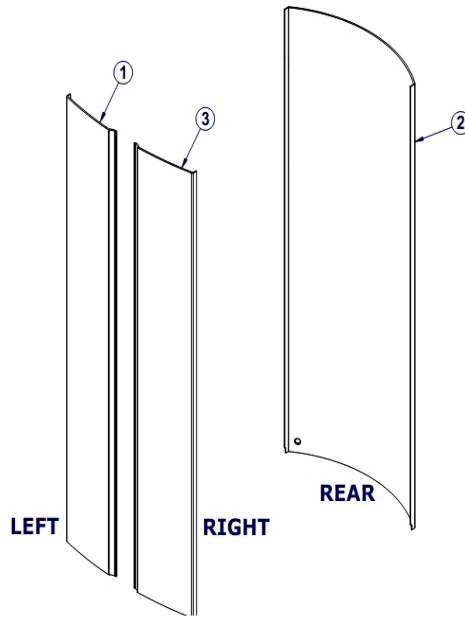


Ref #	Part Number	Qty	Description
1	8861295	1	Increment Weight
2	7328201	1	Bracket Increment Weight-15LB
3	3236202	2	Hardware: Screw 25MM
4	3202501	4	Bearing Sleeve

** Upholstery and Frame Colors are list at the end of the Parts Manual **

** Shroud Options are list at the end of the Parts Manual **

Stackwraps Shroud

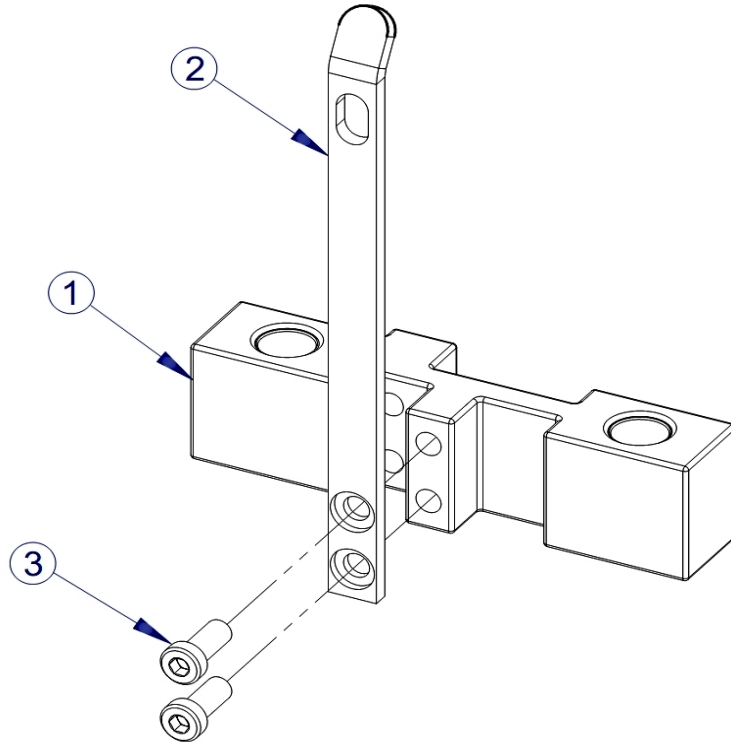


Ref #	Part Number	Qty	Description
1	8954501	1	Shroud FZ Front Short Left -Stem
1	8954601	1	Shroud FZ Front Short Left -Rosewood
1	8954701	1	Shroud FZ Front Short Left -Stainless Steel
1	8954201	1	Shroud FZ Front Short Left -Bamboo
1	8954301	1	Shroud FZ Front Short Left -Sky
1	8954401	1	Shroud FZ Front Left - Bronze
2	8949101	1	Shroud FZ Rear Short -Bamboo
2	8950101	1	Shroud FZ Rear Short -Stainless Steel
2	8949901	1	Shroud FZ Rear Short -Rosewood
2	8949701	1	Shroud FZ Rear Short -Stem
2	8949301	1	Shroud FZ Rear Short -Sky
2	8949501	1	Shroud FZ Rear -Bronze
3	8950001	1	Shroud FZ Front Short Right-Stainless Steel
3	8949201	1	Shroud FZ Front Short Right -Sky
3	8949401	1	Shroud FZ Front Short Right -Bronze
3	8949801	1	Shroud FZ Front Short Right -Rosewood
3	8949001	1	Shroud FZ Front Short Right -Bamboo
3	8949601	1	Shroud FZ Front Short Right -Stem

** Upholstery and Frame Colors are list at the end of the Parts Manual **

** Shroud Options are list at the end of the Parts Manual **

10Lb Increment Weight Assembly

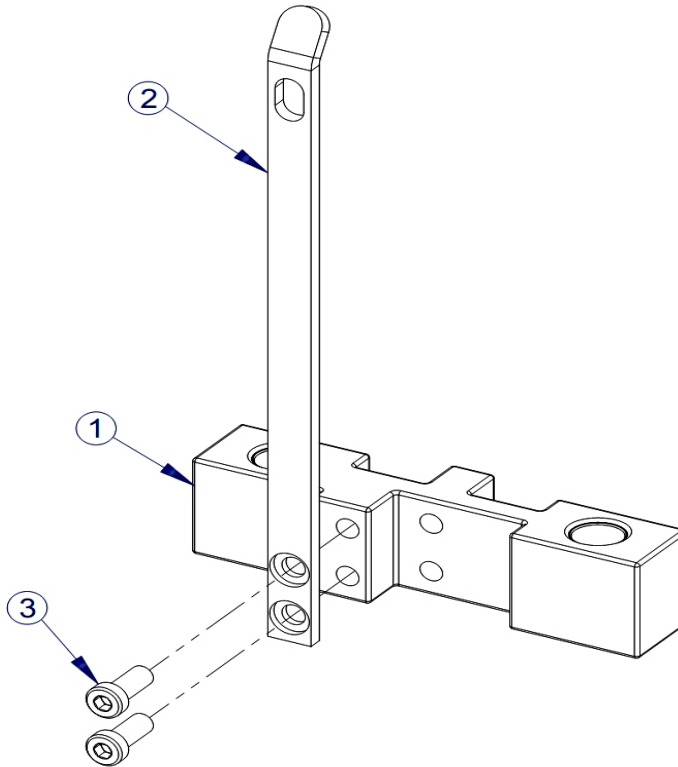


Ref #	Part Number	Qty	Description
1	7968501	1	Assembly FZ Inc Weight 5LB
2	7328101	1	Bracket Increment Weight-10LB
3	3236202	2	Hardware: Screw 25MM

** Upholstery and Frame Colors are list at the end of the Parts Manual **

** Shroud Options are list at the end of the Parts Manual **

15Lb Increment Weight Assembly

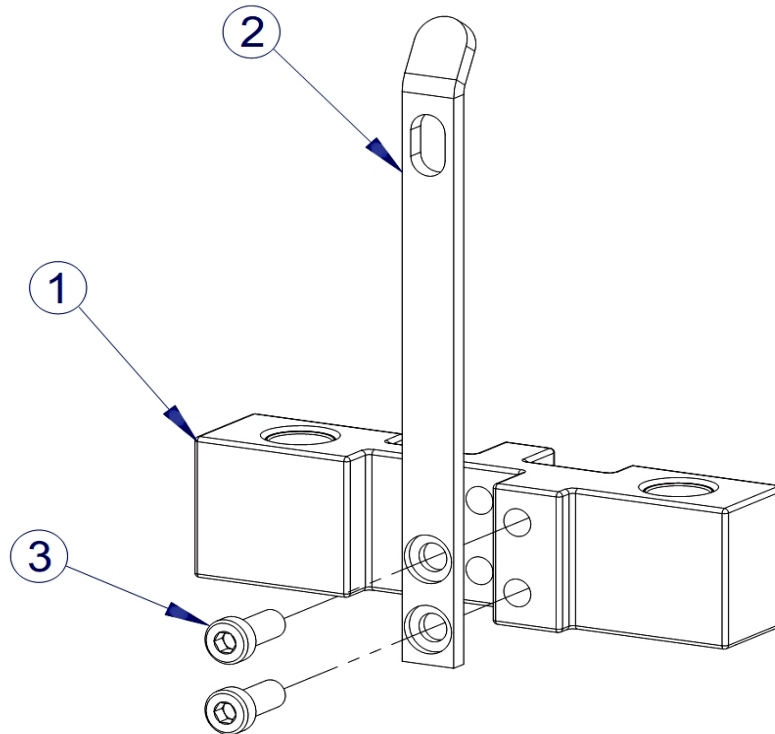


Ref #	Part Number	Qty	Description
1	7968501	1	Assembly FZ Inc Weight 5LB
2	7328201	1	Bracket Increment Weight-15LB
3	3236202	2	Hardware: Screw 25MM

** Upholstery and Frame Colors are list at the end of the Parts Manual **

** Shroud Options are list at the end of the Parts Manual **

5Lb Increment Weight Assembly



Ref #	Part Number	Qty	Description
1	7968501	1	Assembly FZ Inc Weight 5LB
2	7328001	1	Bracket Increment Weight-5LB
3	3236202	2	Hardware: Screw 25MM

** Upholstery and Frame Colors are list at the end of the Parts Manual **

** Shroud Options are list at the end of the Parts Manual **

Frame and Upholstery Color Chart

Frame Colors



Note: Include frame color in order notes when ordering frame assemblies or weldments.

Upholstery Colors



Replace '99' with the above color suffix when ordering pads (i.e. 7412399 = 7412301 BLACK)

Shroud Options Chart

STANDARD SHROUD NO WRAP



TRANSLUCENT



OPTIONAL StackWraps™

SHROUD + WRAP

BAMBOO



BRONZE



ROSEWOOD



SKY



STAINLESS
STEEL



STEM



CO-BRANDED StackWraps™

SHROUD + WRAP

(refer to co-branded parts list)



PLANET FITNESS

blink FITNESS



BLINK FITNESS

Retro Fitness



RETRO FITNESS