

Signature Series Single - Leg Curl

FZLC

Parts Manual

1/5/2019 13:48:12 PM



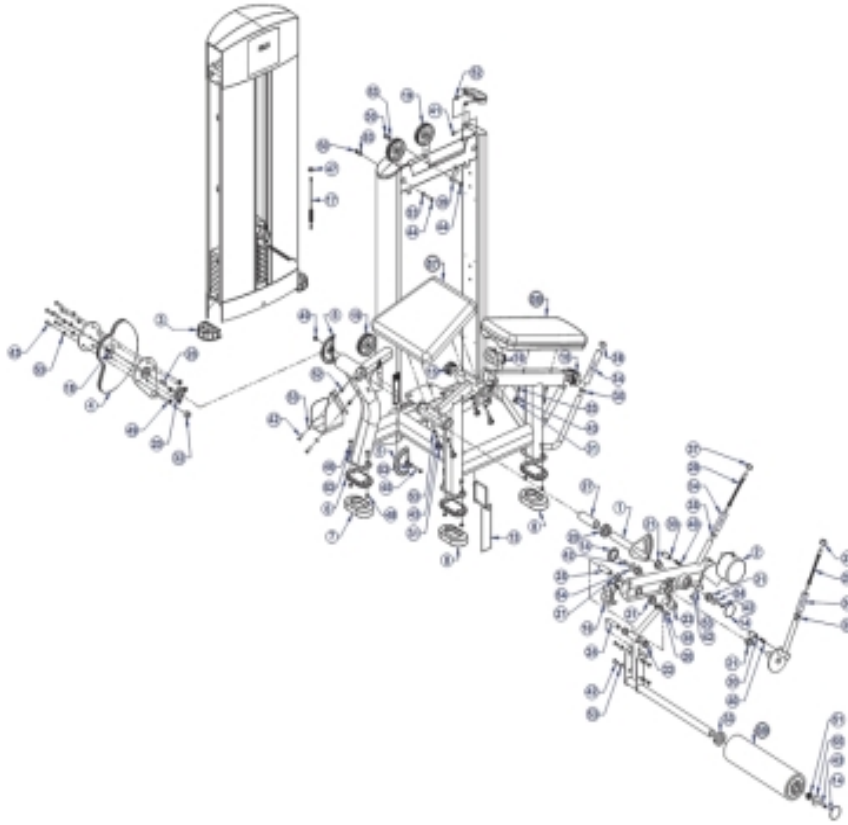
Table of Contents

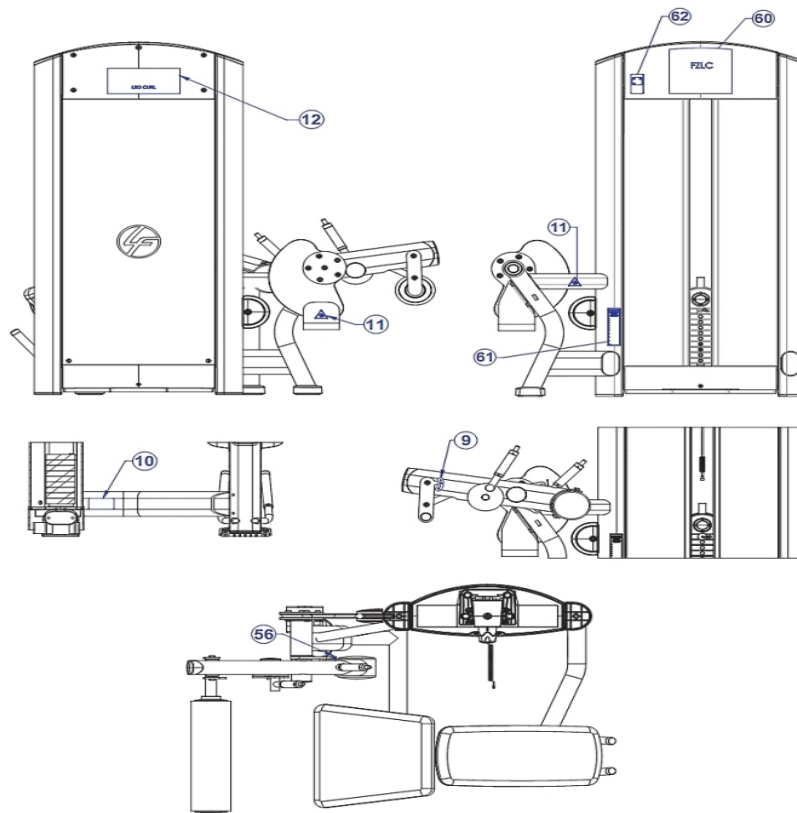
Component Assembly	3
Head Plate Assembly	6
Optional Mid Light-9 Weight Stack Assembly	8
Optional 2.5Lb Increment Weight Assembly	9
Optional 5Lb Increment Weight Assembly	10
Optional 7.5Lb Increment Weight Assembly	11
Painted Frame Components	12
Stackwraps Shroud	13
Standard MID-9 Weight Stack Assembly	14
Standard Plastic Tower Assembly	15
10Lb Increment Weight Assembly	16
15Lb Increment Weight Assembly	17
5Lb Increment Weight Assembly	18

** Upholstery & Frame Colors are listed at the end of the Parts Manual **

** Shroud Options are listed at the end of the Parts Manual **

Component Assembly





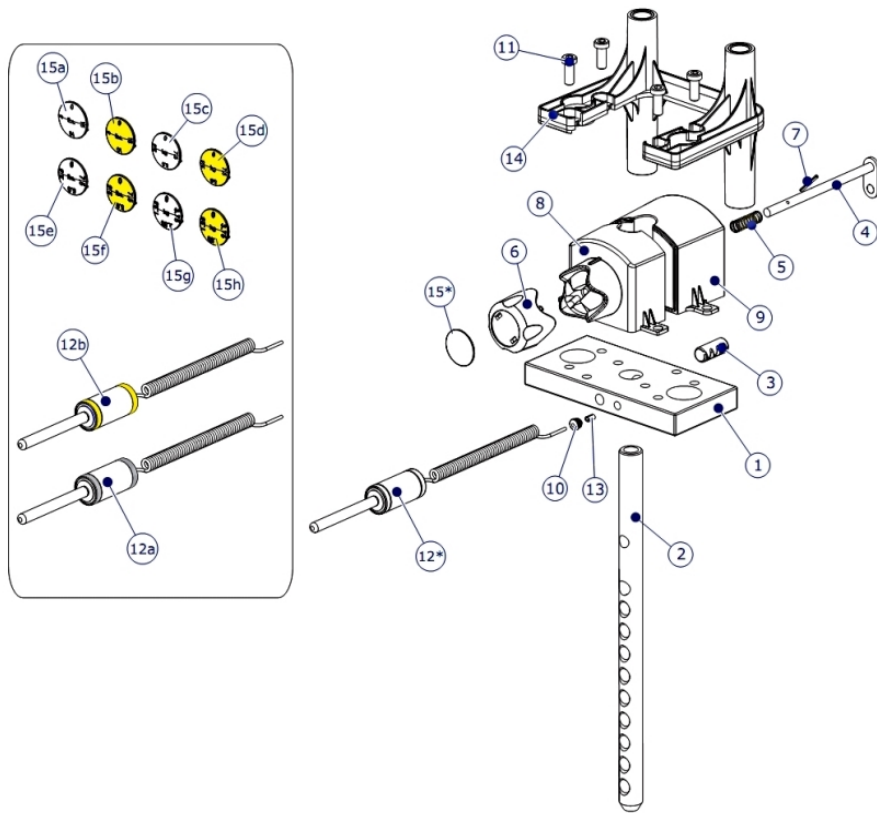
Ref #	Part Number	Qty	Description
1	8899001	1	Weldment FZLC Adjuster Start
2	7801901	1	Small Counter Weight-Coated
3	7326301	2	Cap D-Tube-Bottom
4	8897601	1	Cam FZLC
5	8094101	2	Pulley Cover Partial
6	7334001	3	Foot 2.50 X 4.49 Flov 10-0074-046 BNR
7	7419601	1	Foot Cover - 20 Degrees
8	7340201	2	Cover Foot - Straight
9	7524201	1	Label S-XL Curved
10	7571301	1	Label Serial Number
11	8039501	2	Label Warning Triangle 10-0099-067 BNR
12	8901701	1	Label FZLC Logo
13	8343101	1	Tag - Bolt To Floor
14	7308701	3	Cap Bearing Housing
15	7333801	4	End Cap FLOV Small
16	7333901	3	End Cap FLOV Large
17	7423726	1	Cable FZLC 120-3/4"
18	7342201	1	Plate Cable End
19	3237801	3	Pulley 4.5" OD
20	3243201	2	Ball Bearing
21	3104903	6	Bearing 1" ID 1.25" OD
22	3104901	2	Bearing 3/4" ID 1" OD
23	7329601	1	Tibia Link Plate
24	7324801	1	Shaft Tapped 0.75" D 3.33" L
25	7324901	1	Shaft Tapped 1" D 3.33"
26	7331702	1	Pivot Shaft
27	7511504	1	Spacer FZ/PS Internal
28	7511601	1	Key .375 Square X 1.25
29	7780103	2	Push Pin Rod

Ref #	Part Number	Qty	Description
29	7780101	2	Rod Push Pin
30	8032401	2	Push Pin
31	3237403	7	Plug 1" Hole
32	7690101	1	Bumper Sleeve- 1.000 ID
33	7357901	1	Shaft Collar
34	3235801	4	Grip - 1.25" OD
35	7662801	4	Grip Ring 1.25"
36	7662901	2	Grip Cap
37	7663001	2	Grip Cap
38	3232409	2	Retaining Ring .468" D
39	6757701	1	Cable Clip
40	8024501	2	Spring
41	3236201	4	Hardware: Screw 20MM
42	3236202	10	Hardware: Screw 25MM
43	3236204	14	Hardware: Screw 35MM
44	3236206	2	Hardware: Screw 45MM
45	3236207	1	Hardware: Screw 50MM
46	3251202	6	Hardware: Screw 25MM
47	3236902	1	Hardware: Nut 16 MM ID
48	3254703	6	Hardware: Nut 10 MM ID
49	7335401	6	Hardware: Nut 10 MM ID
50	3236801	2	Hardware: Nut 10 MM ID
51	7347301	1	Hardware: Nut 10 MM ID
52	3238601	6	Blind Thread Insert - 1.5"
53	3273303	31	Hardware: WasherR, 3/8, THRU-HARDENED
54	3236701	2	Fender Washer 3/8"
55	7322301	1	Plate 1.97 OD X .447 ID 10 GA
56	8944701	1	Label -3-4 Straight
57	7399199	1	Pad, Seat 17 X 18-5/8 Custom
58	7814099	1	Pad, 24 X 11 Flat Custom
59	7392899	1	ASSY, ROLLER PAD LONG Custom
60	8901310	1	Label FZLC Placard - Russian
60	8901301	1	Label FZLC Placard - English
60	8901308	1	Label FZLC Placard - Portugese
60	8901304	1	Label FZLC Placard - Spanish
60	8901303	1	Label FZLC Placard - French
60	8901302	1	Label FZLC Placard - German
60	8901311	1	Label FZLC Placard - Turkish
60	8901306	1	Label FZLC Placard - Dutch
60	8901305	1	Label FZLC Placard - Italian
60	8901307	1	Label FZLC Placard - Japanese
61	8220099	1	Label, ASTM, Select Vertical - Custom
62	9310701	1	LABEL, FZLC, NFC-QR TAG

** Upholstery and Frame Colors are list at the end of the Parts Manual **

** Shroud Options are list at the end of the Parts Manual **

Head Plate Assembly



Ref #	Part Number	Qty	Description
1	7326701	1	Head Plate
2	7347801	1	Stem 9 Plate
3	3236001	1	SpringPin Bushing
4	7327201	1	Increment Weight Pin
5	8024501	1	Spring
6	7326101	1	Incremental Weight Selector Knob
7	3110008	1	Roll Pin 1/8" D 1-1/4" L
8	7326401	1	Selector Housing - Front
9	7326501	1	Selector Housing - Rear
10	7356501	1	Plug Lanyard Attachment
11	3236202	4	Hardware: Screw 25MM
12B	7338103	1	Weight Stack Selector Pin
12A	7338101	1	Weight Stack Selector Pin
13	7523601	1	Crimp Cable
14	8867301	1	Assembly FZ Stabilizer with Bushings
15F	8865803	1	FZ Selector Knob Cap - 2.5 LBS Yellow
15H	8946503	1	CAP, FZ SELECTOR KNOB - 1.25 KG, YELLOW
15B	7398603	1	Selector Knob Cap - 5 LBS Yellow
15A	7398601	1	Selector Knob Cap - 5 LBS Silver
15E	8865801	1	FZ Selector Knob Cap - 2.5 LBS Silver
15C	7398701	1	Selector Knob Cap - 2.5 KG Silver
15G	8946501	1	CAP, FZ SELECTOR KNOB - 1.25 KG, SILVER

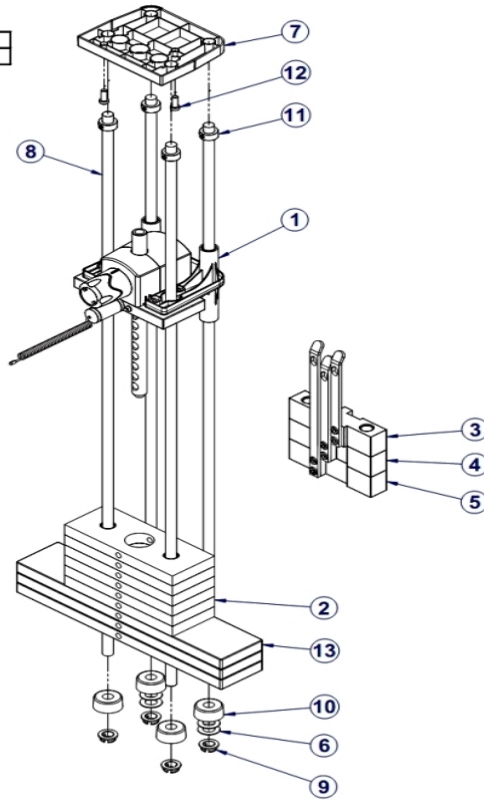
Ref #	Part Number	Qty	Description
15D	7398703	1	Selector Knob Cap - 2.5 KG Yellow

** Upholstery and Frame Colors are list at the end of the Parts Manual **

** Shroud Options are list at the end of the Parts Manual **

Optional Mid Light-9 Weight Stack Assembly

WEIGHT STACK LABELS
8867101 LABEL, 190 LB STACK

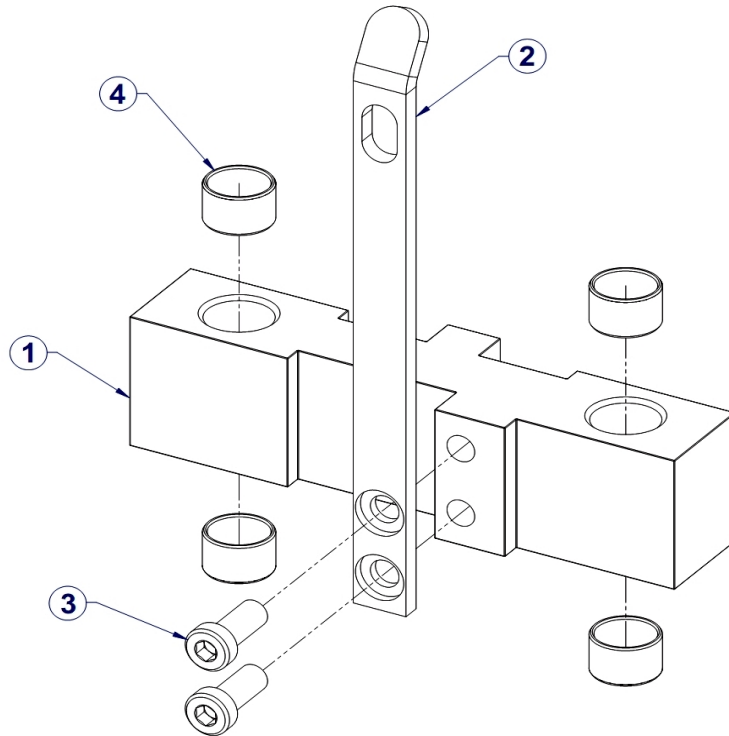


Ref #	Part Number	Qty	Description
1	7350601	1	Assembly Head Plate (9)
2	7353701	6	Weight Plate 10 LB
3	8861301	1	Assembly FZ Inc Weight - 2.5 LB
4	8861401	1	Assembly FZ Inc Weight - 5 LB
5	8861501	1	Assembly FZ Inc Weight - 7.5 LB
6	7351001	4	Spacer Increment Weight Stack
7	7621101	1	Guide Rod Retainer Top
8	7328602	4	Guide Rod .75" OD 53.50" L
9	7337901	4	Bushing Guide Rod
10	7352101	4	Cushion Weight Stack
11	3103301	4	Shaft Collar 3/4" ID Zinc
12	3236202	2	Hardware: Screw 25MM
13	7328401	3	Weight Plate 20 LB
-	8867101	1	Label 190 LB Stack

** Upholstery and Frame Colors are list at the end of the Parts Manual **

** Shroud Options are list at the end of the Parts Manual **

Optional 2.5Lb Increment Weight Assembly

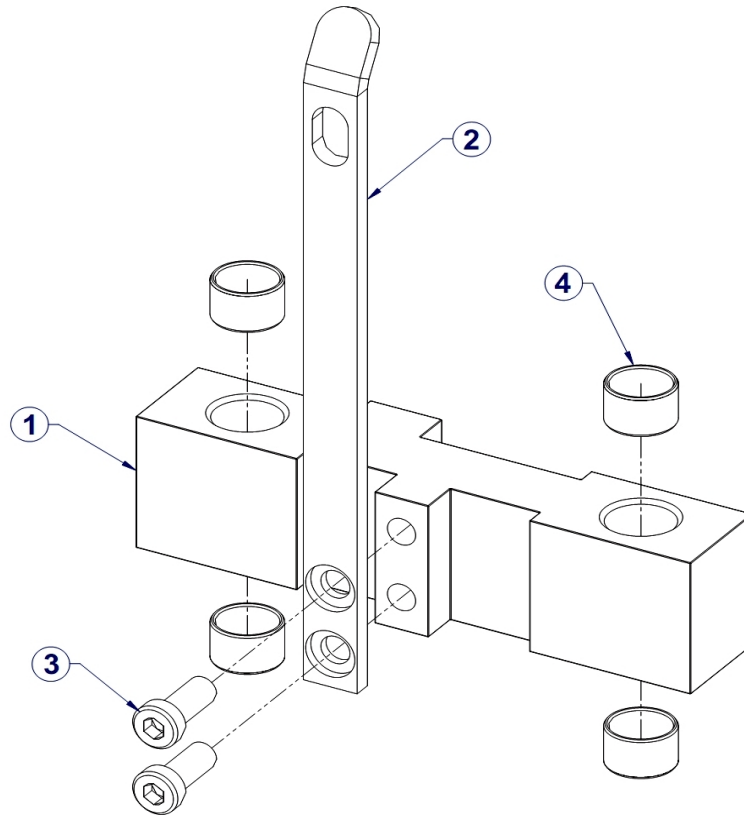


Ref #	Part Number	Qty	Description
1	8861295	1	Increment Weight
2	7328001	1	Bracket Increment Weight-5LB
3	3236202	2	Hardware: Screw 25MM
4	3202501	4	Bearing Sleeve

** Upholstery and Frame Colors are list at the end of the Parts Manual **

** Shroud Options are list at the end of the Parts Manual **

Optional 5Lb Increment Weight Assembly

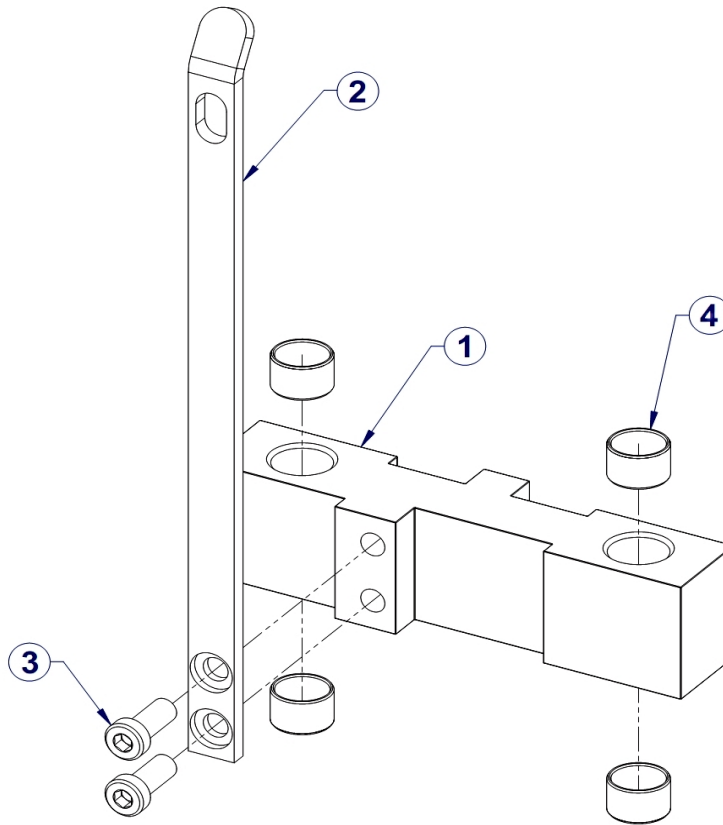


Ref #	Part Number	Qty	Description
1	8861295	1	Increment Weight
2	7328101	1	Bracket Increment Weight-10LB
3	3236202	2	Hardware: Screw 25MM
4	3202501	4	Bearing Sleeve

** Upholstery and Frame Colors are list at the end of the Parts Manual **

** Shroud Options are list at the end of the Parts Manual **

Optional 7.5Lb Increment Weight Assembly

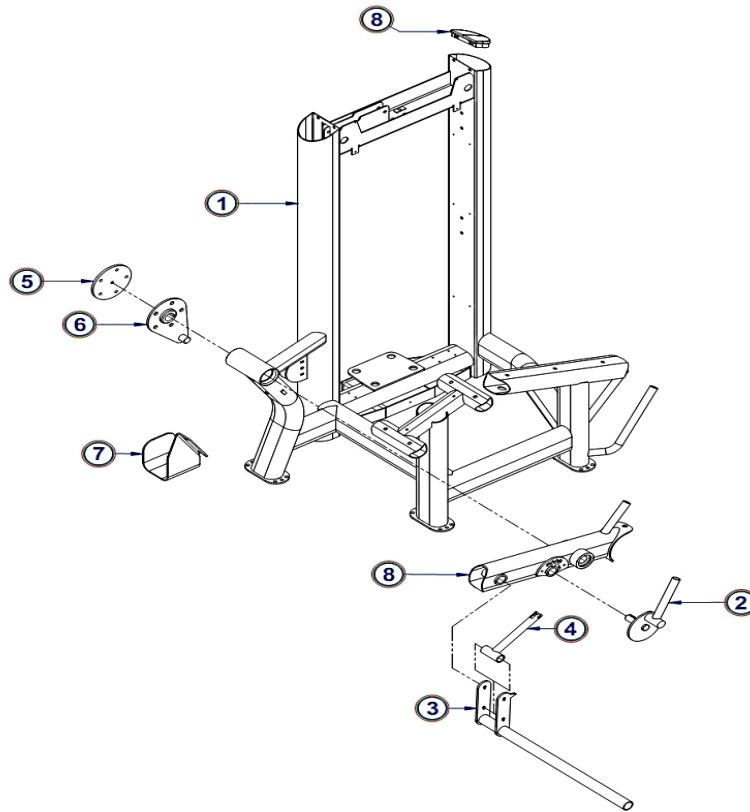


Ref #	Part Number	Qty	Description
1	8861295	1	Increment Weight
2	7328201	1	Bracket Increment Weight-15LB
3	3236202	2	Hardware: Screw 25MM
4	3202501	4	Bearing Sleeve

** Upholstery and Frame Colors are list at the end of the Parts Manual **

** Shroud Options are list at the end of the Parts Manual **

Painted Frame Components

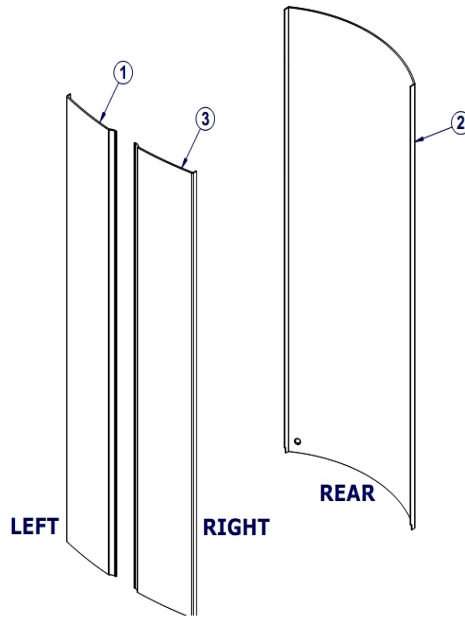


Ref #	Part Number	Qty	Description
2	8902099	1	Weldment, FZLC, Tibia Adj Handle Custom
3	8902199	1	Weldment, FZLC, Roller Pad Support Custom
4	7324599	1	Weldment, FZLE, Tibia Adj Link Custom
5	7329199	1	Plate, FZ, Cam Cover Custom
6	8899299	1	Weldment, FZLC, Cam Support Custom
7	8899199	1	Bracket, FZLC, Cam Guard Custom
8	7320799	1	Weldment, FZLE, Pivot Arm Custom
9	7326299	2	Cap, D-Tube-Top Custom

** Upholstery and Frame Colors are list at the end of the Parts Manual **

** Shroud Options are list at the end of the Parts Manual **

Stackwraps Shroud

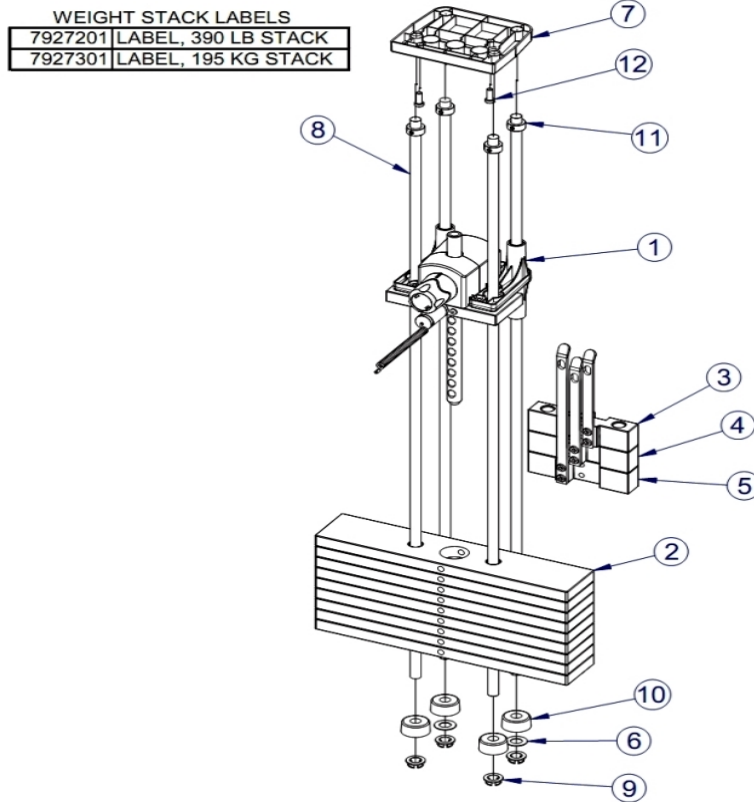


Ref #	Part Number	Qty	Description
1	8954201	1	Shroud FZ Front Short Left -Bamboo
1	8954301	1	Shroud FZ Front Short Left -Sky
1	8954501	1	Shroud FZ Front Short Left -Stem
1	8954401	1	Shroud FZ Front Left - Bronze
1	8954601	1	Shroud FZ Front Short Left -Rosewood
1	8954701	1	Shroud FZ Front Short Left -Stainless Steel
2	8949101	1	Shroud FZ Rear Short -Bamboo
2	8949701	1	Shroud FZ Rear Short -Stem
2	8949301	1	Shroud FZ Rear Short -Sky
2	8950101	1	Shroud FZ Rear Short -Stainless Steel
2	8949901	1	Shroud FZ Rear Short -Rosewood
2	8949501	1	Shroud FZ Rear -Bronze
3	8949001	1	Shroud FZ Front Short Right -Bamboo
3	8950001	1	Shroud FZ Front Short Right-Stainless Steel
3	8949201	1	Shroud FZ Front Short Right -Sky
3	8949401	1	Shroud FZ Front Short Right -Bronze
3	8949801	1	Shroud FZ Front Short Right -Rosewood
3	8949601	1	Shroud FZ Front Short Right -Stem

** Upholstery and Frame Colors are list at the end of the Parts Manual **

** Shroud Options are list at the end of the Parts Manual **

Standard MID-9 Weight Stack Assembly

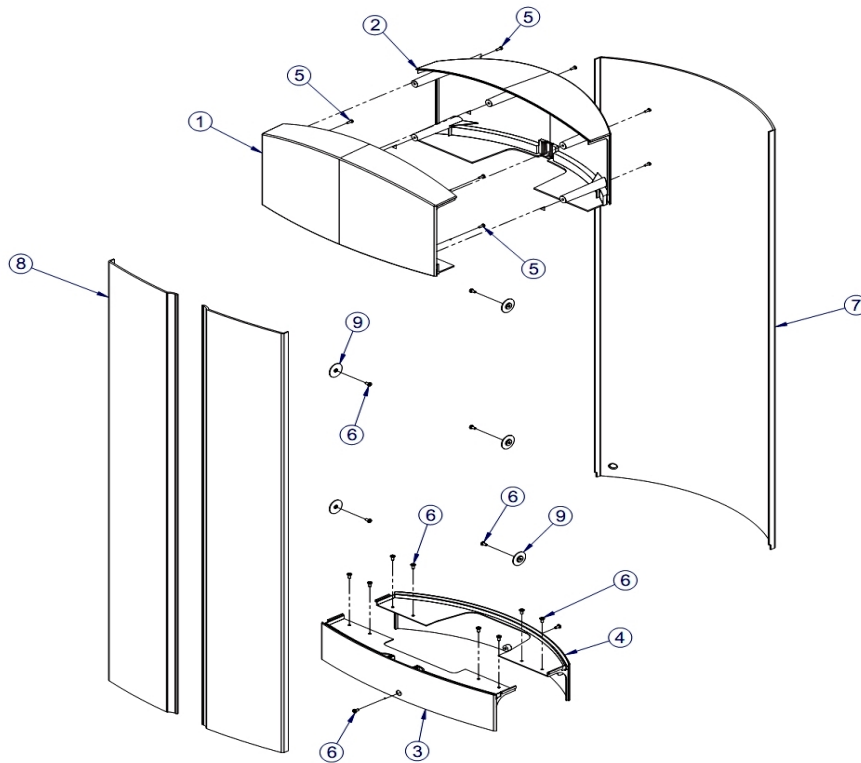


Ref #	Part Number	Qty	Description
1	7350601	1	Assembly Head Plate (9)
2	7328401	9	Weight Plate 20 LB
3	7327601	1	Assembly Increment Weight-5LB
4	7327701	1	Assembly Increment Weight-10LB
5	7327801	1	Assembly Increment Weight-15LB
6	7351001	2	Spacer Increment Weight Stack
7	7621101	1	Guide Rod Retainer Top
8	7328602	4	Guide Rod .75" OD 53.50" L
9	7337901	4	Bushing Guide Rod
10	7352101	4	Cushion Weight Stack
11	3103301	4	Shaft Collar 3/4" ID Zinc
12	3236202	2	Hardware: Screw 25MM
-	7927301	1	Label 195 KG Stack
-	7927201	1	Label 390 LB Stack

** Upholstery and Frame Colors are list at the end of the Parts Manual **

** Shroud Options are list at the end of the Parts Manual **

Standard Plastic Tower Assembly

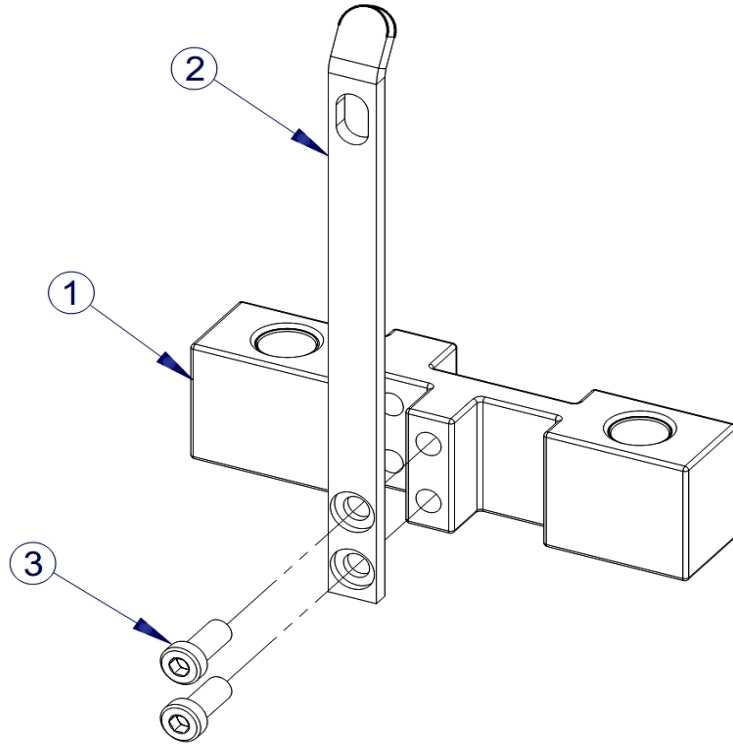


Ref #	Part Number	Qty	Description
1	7318601	1	Cover Tower-Top Front
2	7318701	1	Cover Tower - Top Rear
3	7318801	1	Cover Tower-Bottom Front
4	7318901	1	Cover Tower-Bottom Rear
5	3236501	9	Hardware: Nut 0.7" ID
6	3239101	16	Hardware: Phillips Pan Screw
7	7765701	1	Tower Shroud-Rear Short
8	7765601	2	Tower Shroud-Front Short
9	7583501	6	Retainer FZ Shroud

** Upholstery and Frame Colors are list at the end of the Parts Manual **

** Shroud Options are list at the end of the Parts Manual **

10Lb Increment Weight Assembly

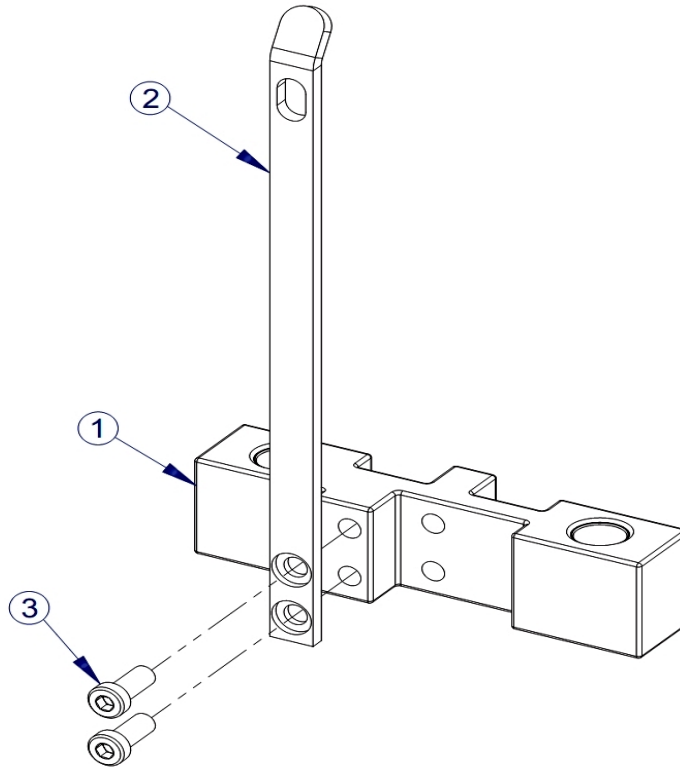


Ref #	Part Number	Qty	Description
1	7968501	1	Assembly FZ Inc Weight 5LB
2	7328101	1	Bracket Increment Weight-10LB
3	3236202	2	Hardware: Screw 25MM

** Upholstery and Frame Colors are list at the end of the Parts Manual **

** Shroud Options are list at the end of the Parts Manual **

15Lb Increment Weight Assembly

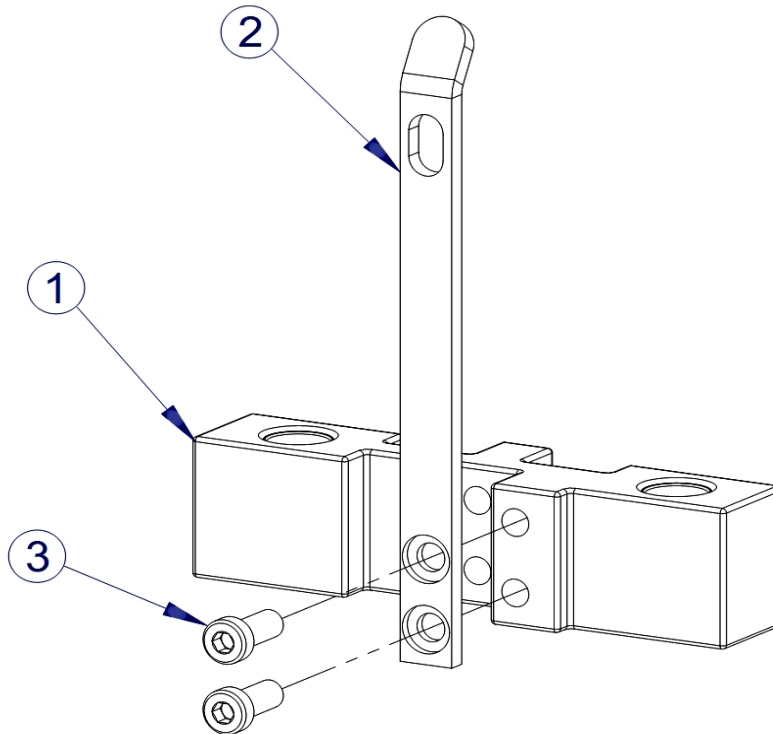


Ref #	Part Number	Qty	Description
1	7968501	1	Assembly FZ Inc Weight 5LB
2	7328201	1	Bracket Increment Weight-15LB
3	3236202	2	Hardware: Screw 25MM

** Upholstery and Frame Colors are list at the end of the Parts Manual **

** Shroud Options are list at the end of the Parts Manual **

5Lb Increment Weight Assembly



Ref #	Part Number	Qty	Description
1	7968501	1	Assembly FZ Inc Weight 5LB
2	7328001	1	Bracket Increment Weight-5LB
3	3236202	2	Hardware: Screw 25MM

** Upholstery and Frame Colors are list at the end of the Parts Manual **

** Shroud Options are list at the end of the Parts Manual **

Frame and Upholstery Color Chart

Frame Colors



Note: Include frame color in order notes when ordering frame assemblies or weldments.

Upholstery Colors



Replace '99' with the above color suffix when ordering pads (i.e. 7412399 = 7412301 BLACK)

Shroud Options Chart

STANDARD SHROUD NO WRAP



TRANSLUCENT



OPTIONAL StackWraps™

SHROUD + WRAP

BAMBOO



BRONZE



ROSEWOOD



SKY



STAINLESS
STEEL



STEM



CO-BRANDED StackWraps™

SHROUD + WRAP

(refer to co-branded parts list)



PLANET FITNESS

blink FITNESS



BLINK FITNESS

Retro Fitness



RETRO FITNESS