

Signature Series Single Station - Lateral

FZLR

Parts Manual

1/5/2019 13:48:15 PM



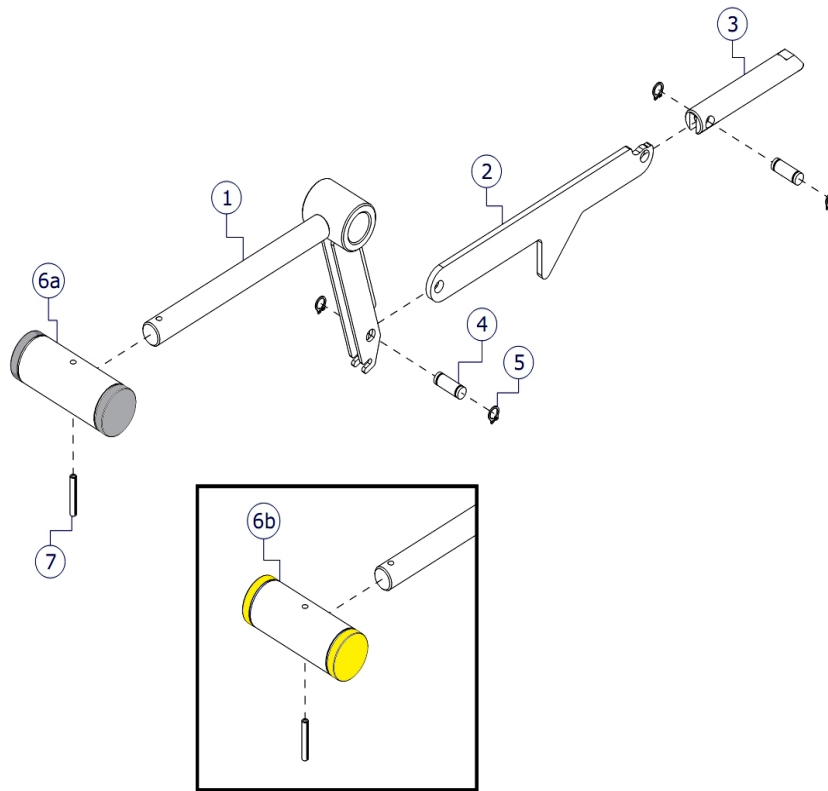
Table of Contents

Adjuster Handle Assembly.....	3
Component Assembly.....	4
Head Plate Assembly.....	7
MID-9 Short Tower Assembly.....	9
MID-9 Short Weight Stack Assembly.....	10
Optional MID Short Light-9 Weight Stack Assembly.....	11
Optional 2.5Lb Increment Weight Assembly.....	12
Optional 5Lb Increment Weight Assembly.....	13
Optional 7.5Lb Increment Weight Assembly.....	14
Seat Carriage Assembly.....	15
Stackwraps Shroud.....	16
Standard Plastic Tower Assembly.....	17
10Lb Increment Weight Assembly.....	18
15Lb Increment Weight Assembly.....	19
5Lb Increment Weight Assembly.....	20

** Upholstery & Frame Colors are listed at the end of the Parts Manual **

** Shroud Options are listed at the end of the Parts Manual **

Adjuster Handle Assembly

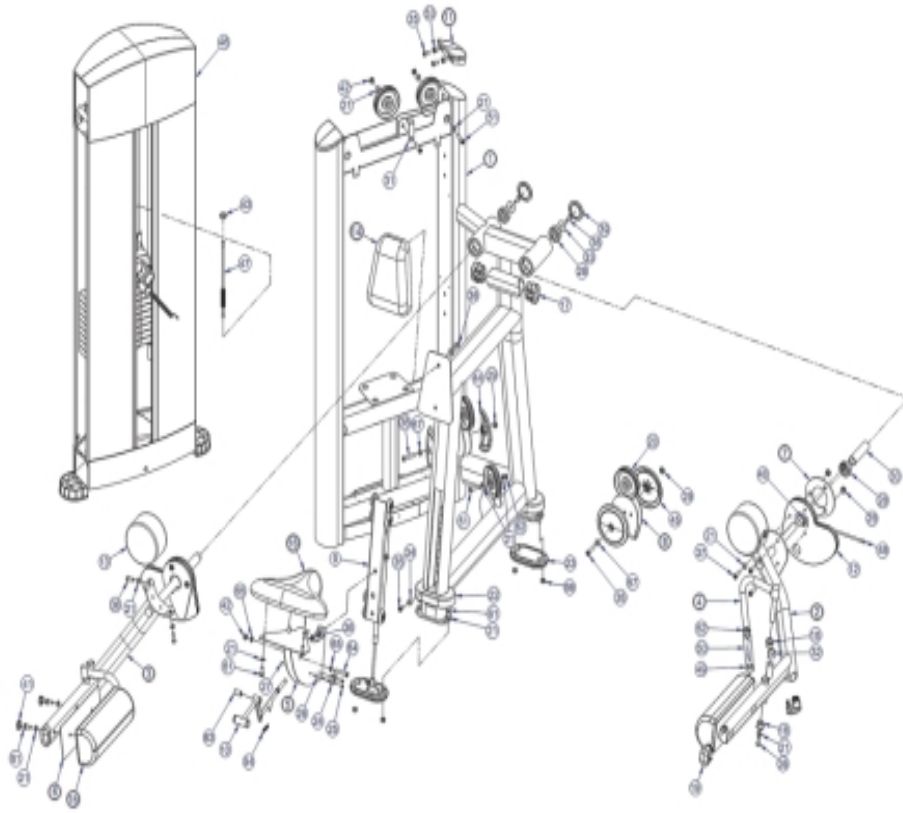


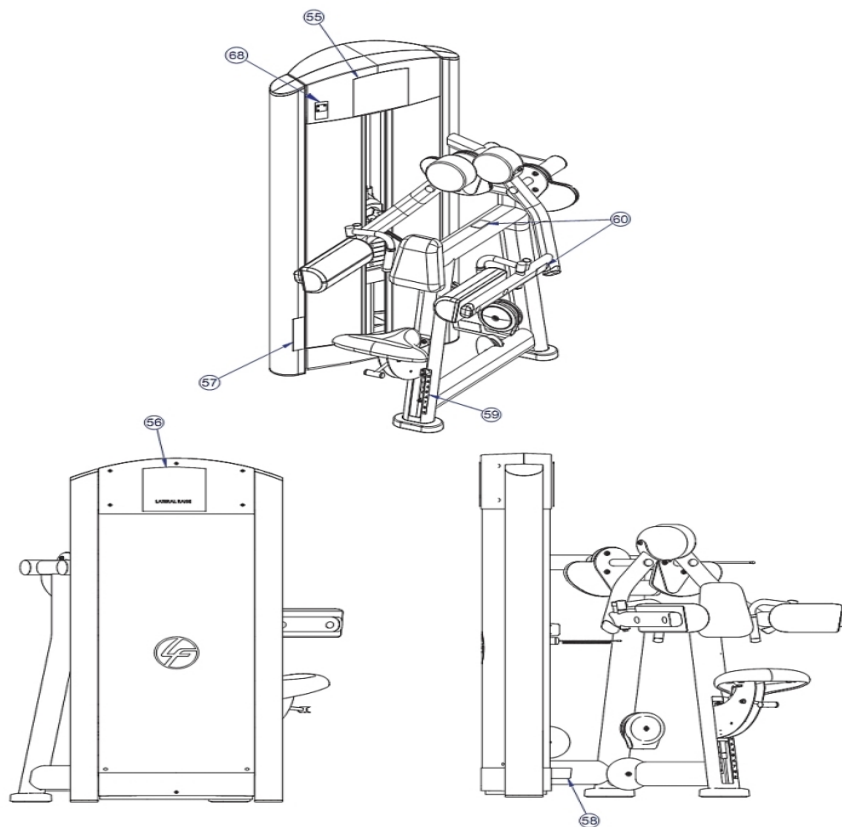
Ref #	Part Number	Qty	Description
1	7777595	1	Weldment FZ Seat Adj Handle Shadow Gray
2	9164801	1	LINK, ADJUSTER
3	9154101	1	PIN, INDEX
4	7407501	2	Pin Link X .520
5	3232401	4	Retaining Ring 0.230" D
6B	7287903	1	Adjuster Handle
6A	7287901	1	Handle Adjuster
7	3110010	1	Roll Pin 1/8" D X 7/8" L

** Upholstery and Frame Colors are list at the end of the Parts Manual **

** Shroud Options are list at the end of the Parts Manual **

Component Assembly





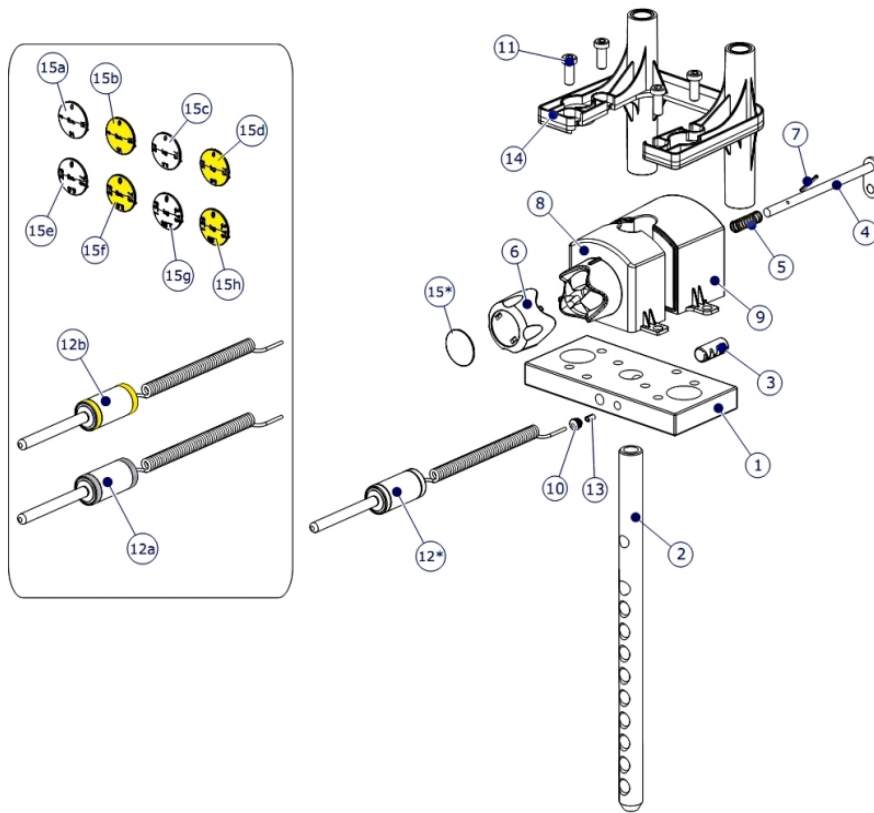
Ref #	Part Number	Qty	Description
2	7607899	1	Weldment, FZLR, Pivot Arm Right Custom
3	7608499	1	Weldment, FZLR, Pivot Arm Left Custom
4	7608699	2	Weldment, FZLR, Handle Custom
5	7384799	1	Weldment, FZ Seat Support Custom
6	7608999	2	Plate, FZLR, Arm Pad Custom
7	7609099	2	Plate, FZLR, Cam Cover Custom
8	7617199	1	Bracket, Pulley, Cable Slot Custom
9	7911101	1	Assembly Seat Carriage
10	7778003	1	Assembly, FZ Adjuster Handle Black
10	7778001	1	Assembly, FZ Adjuster Handle White
11	7326299	2	Cap, D-Tube-Top Custom
12	7609101	2	Can FZLR
13	7802001	2	Large Counter Weight-Coated
14	7624599	1	Pad, Chest 10- X 7-5/8 No Backer Custom
15	7624699	2	Pad, Forearm, No Backer Custom
16	7297199	1	PAD, SEAT SADDLE Custom
17	7317901	2	Stop Bumper
18	3104901	4	Bearing 3/4" ID 1" OD
19	7333801	4	End Cap FLOV Small
20	3237801	5	Pulley 4.5" OD
21	3273303	33	Hardware: WasherR, 3/8, THRU-HARDENED
22	7419701	2	Cover Foot 10 Deg
23	7334001	1	Foot 2.50 X 4.49 Flov 10-0074-046 BNR
24	7425295	1	Bracket Seat Indicator Shadow Gray
25	3239101	2	Hardware: Phillips Pan Screw
26	7407502	1	Pin Link X 1.531
27	3232401	2	Reatining Ring 0.230" D
28	3235601	4	Ball Bearing
29	7335401	8	Hardware: Nut 10 MM ID

Ref #	Part Number	Qty	Description
30	7330004	2	Spacer Internal 4.765" L
31	6757701	1	Cable Clip
32	7690101	2	Bumper Sleeve- 1.000 ID
33	3236701	2	Fender Washer 3/8"
34	LEA7385203	1	Spacer
35	3236201	5	Hardware: Screw 20MM
36	3236202	12	Hardware: Screw 25MM
37	3236204	6	Hardware: Screw 35MM
38	3236207	2	Hardware: Screw 50MM
39	7308701	2	Cap Bearing Housing
40	7342201	2	Plate Cable End
41	3237403	4	Plug 1" Hole
42	3236801	3	Hardware: Nut 10 MM ID
43	3236902	1	Hardware: Nut 16 MM ID
44	8094101	2	Pulley Cover Partial
45	8104501	2	Pulley Cover Notched
47	7423717	1	Cable FZLR-1 111-1/2"
48	7423806	1	Cable FZLR-2 82-3/8"
49	7662901	2	Grip Cap
50	3235801	2	Grip - 1.25" OD
51	3236206	3	Hardware: Screw 45MM
52	7662801	2	Grip Ring 1.25"
53	3238601	4	Blind Thread Insert - 1.5"
54	3273101	1	SPRING, EXT, .50 X .067 X 2.00
55	7510106	1	Label, FZLR Placard Dutch
55	7510101	1	Label FZLR Placard English
55	7510102	1	LABEL, FZLR PLACARD GER
55	7510103	1	LABEL, FZLR PLACARD FRN
55	7510109	1	LABEL, FZLR PLACARD SWE
55	7510110	1	Label, FZLR Placard Russian
55	7510107	1	LABEL, FZLR PLACARD JAP
55	7510108	1	Label, FZLR Placard Portuguese
55	7510105	1	Label, FZLR Placard Italian
55	7510104	1	LABEL, FZLR PLACARD SPN
56	7510201	1	Label FZLR Logo
57	7422004	1	Label 2" ASTM Warning
58	7571301	1	Label Serial Number
59	7524501	1	Label 1-9 Straight
60	8039501	2	Label Warning Triangle 10-0099-067 BNR
61	3251202	12	Hardware: Screw 25MM
62	3236901	1	Hardware: Nut Hex Jam 10 MM
63	7776501	1	Shaft .625 X .406 X 1.200
64	3236208	1	Hardware: Screw 55MM
65	7776401	2	Spacer Flange .406 X .495 X .81
66	3254703	4	Hardware: Nut 10 MM ID
67	7630101	2	Retainer CM/MJ Pulley
68	9310901	1	LABEL, FZLR, NFC-QR TAG

** Upholstery and Frame Colors are list at the end of the Parts Manual **

** Shroud Options are list at the end of the Parts Manual **

Head Plate Assembly



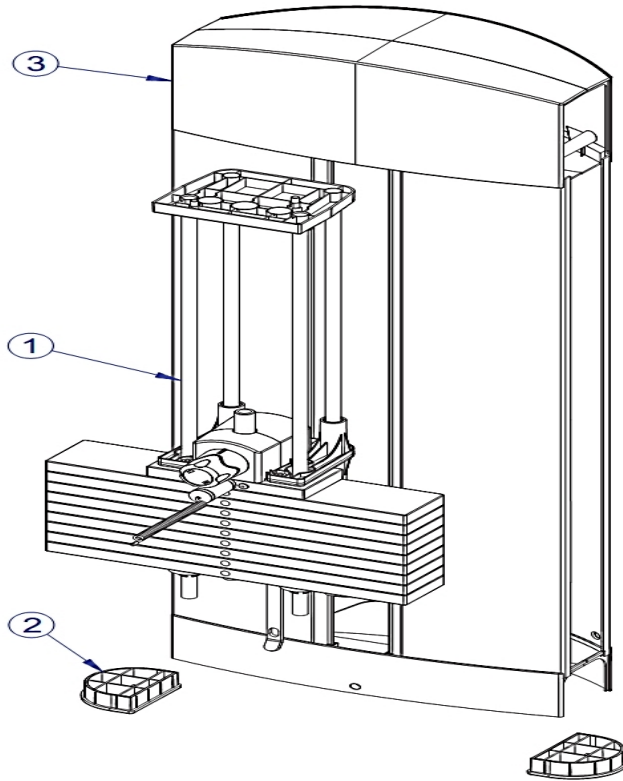
Ref #	Part Number	Qty	Description
1	7326701	1	Head Plate
2	7347801	1	Stem 9 Plate
3	3236001	1	SpringPin Bushing
4	7327201	1	Increment Weight Pin
5	8024501	1	Spring
6	7326101	1	Incremental Weight Selector Knob
7	3110008	1	Roll Pin 1/8" D 1-1/4" L
8	7326401	1	Selector Housing - Front
9	7326501	1	Selector Housing - Rear
10	7356501	1	Plug Lanyard Attachment
11	3236202	4	Hardware: Screw 25MM
12A	7338101	1	Weight Stack Selector Pin
12B	7338103	1	Weight Stack Selector Pin
13	7523601	1	Crimp Cable
14	8867301	1	Assembly FZ Stabilizer with Bushings
15E	8865801	1	FZ Selector Knob Cap - 2.5 LBS Silver
15A	7398601	1	Selector Knob Cap - 5 LBS Silver
15H	8946503	1	CAP, FZ SELECTOR KNOB - 1.25 KG, YELLOW
15D	7398703	1	Selector Knob Cap - 2.5 KG Yellow
15F	8865803	1	FZ Selector Knob Cap - 2.5 LBS Yellow
15G	8946501	1	CAP, FZ SELECTOR KNOB - 1.25 KG, SILVER
15C	7398701	1	Selector Knob Cap - 2.5 KG Silver

Ref #	Part Number	Qty	Description
15B	7398603	1	Selector Knob Cap - 5 LBS Yellow

** Upholstery and Frame Colors are list at the end of the Parts Manual **

** Shroud Options are list at the end of the Parts Manual **

MID-9 Short Tower Assembly

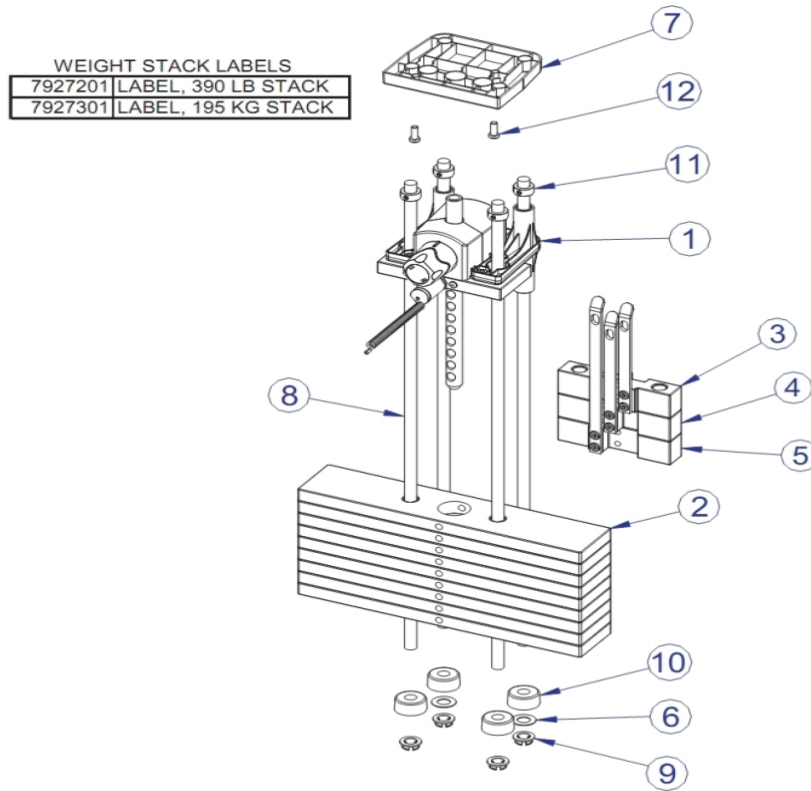


Ref #	Part Number	Qty	Description
2	7326301	2	Cap D-Tube-Bottom

** Upholstery and Frame Colors are list at the end of the Parts Manual **

** Shroud Options are list at the end of the Parts Manual **

MID-9 Short Weight Stack Assembly

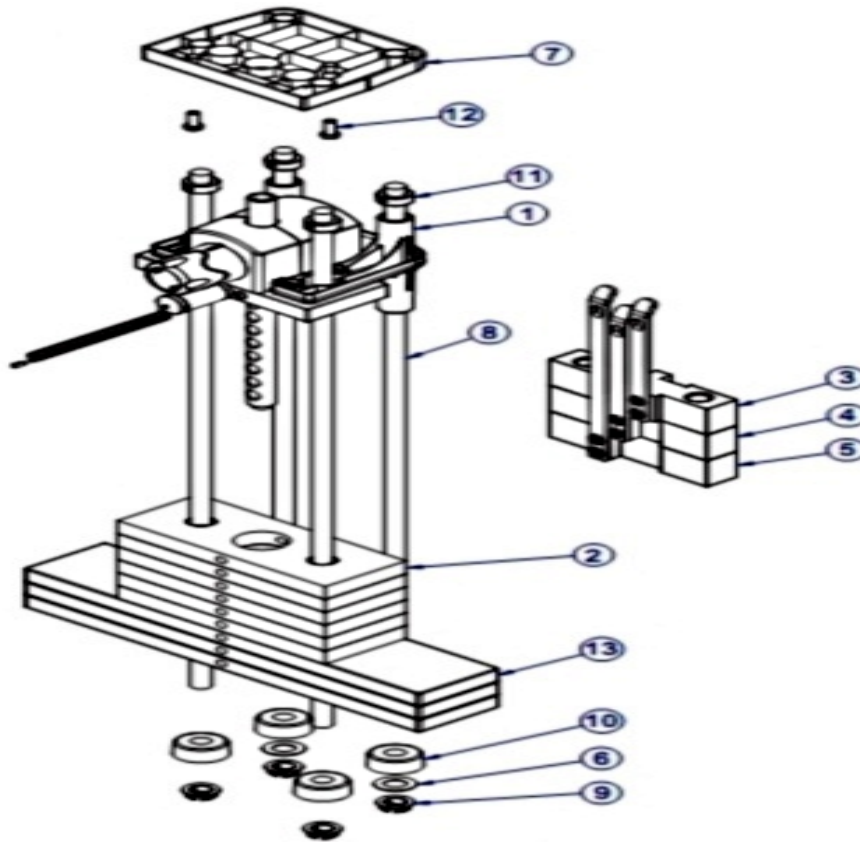


Ref #	Part Number	Qty	Description
1	7350601	1	Assembly Head Plate (9)
2	7328401	9	Weight Plate 20 LB
3	7327601	1	Assembly Increment Weight-5LB
4	7327701	1	Assembly Increment Weight-10LB
5	7327801	1	Assembly Increment Weight-15LB
6	7351001	2	Spacer Increment Weight Stack
7	7621101	1	Guide Rod Retainer Top
8	7328610	4	Guide Rod .75 OD Solid X 39.75
9	7337901	4	Bushing Guide Rod
10	7352101	4	Cushion Weight Stack
11	3103301	4	Shaft Collar 3/4" ID Zinc
12	3236202	2	Hardware: Screw 25MM
-	7927301	1	Label 195 KG Stack
-	7927201	1	Label 390 LB Stack

** Upholstery and Frame Colors are list at the end of the Parts Manual **

** Shroud Options are list at the end of the Parts Manual **

Optional MID Short Light-9 Weight Stack Assembly

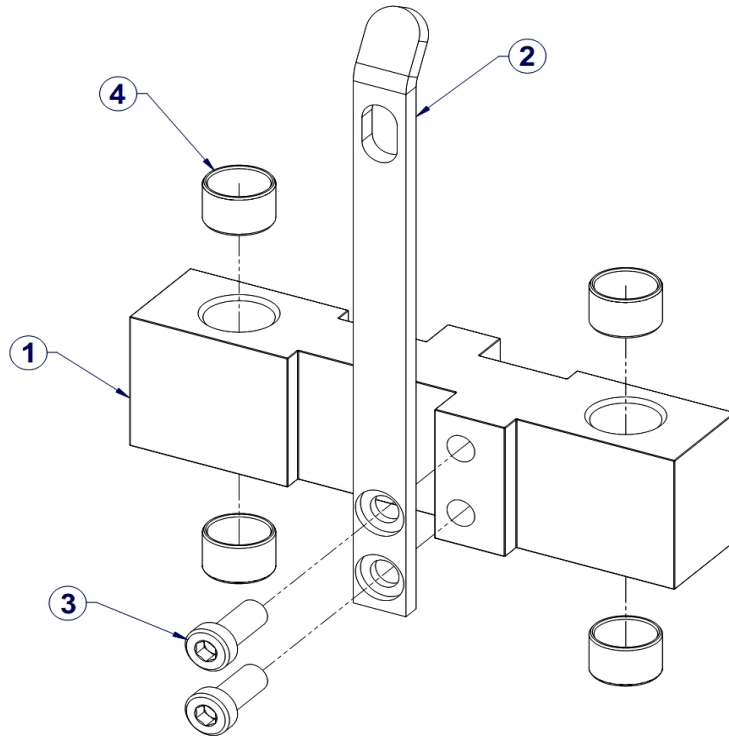


Ref #	Part Number	Qty	Description
1	7350601	1	Assembly Head Plate (9)
2	7353701	6	Weight Plate 10 LB
3	8861301	1	Assembly FZ Inc Weight - 2.5 LB
4	8861401	1	Assembly FZ Inc Weight - 5 LB
5	8861501	1	Assembly FZ Inc Weight - 7.5 LB
6	7351001	2	Spacer Increment Weight Stack
7	7621101	1	Guide Rod Retainer Top
8	7328610	4	Guide Rod .75 OD Solid X 39.75
9	7337901	4	Bushing Guide Rod
10	7352101	4	Cushion Weight Stack
11	3103301	4	Shaft Collar 3/4" ID Zinc
12	3236202	2	Hardware: Screw 25MM
13	7328401	3	Weight Plate 20 LB
-	8867101	1	Label 190 LB Stack

** Upholstery and Frame Colors are list at the end of the Parts Manual **

** Shroud Options are list at the end of the Parts Manual **

Optional 2.5Lb Increment Weight Assembly

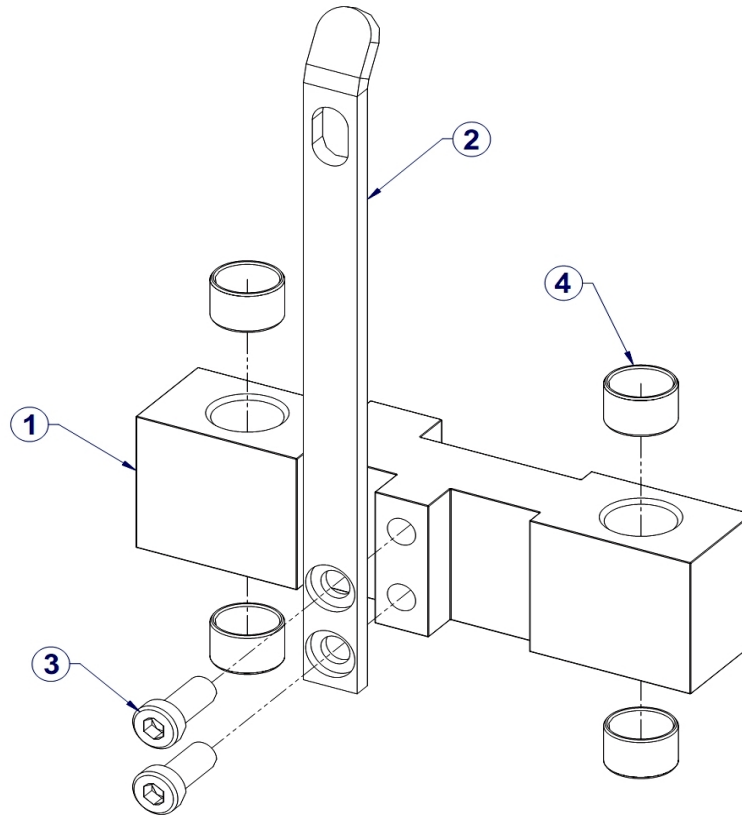


Ref #	Part Number	Qty	Description
1	8861295	1	Increment Weight
2	7328001	1	Bracket Increment Weight-5LB
3	3236202	2	Hardware: Screw 25MM
4	3202501	4	Bearing Sleeve

** Upholstery and Frame Colors are list at the end of the Parts Manual **

** Shroud Options are list at the end of the Parts Manual **

Optional 5Lb Increment Weight Assembly

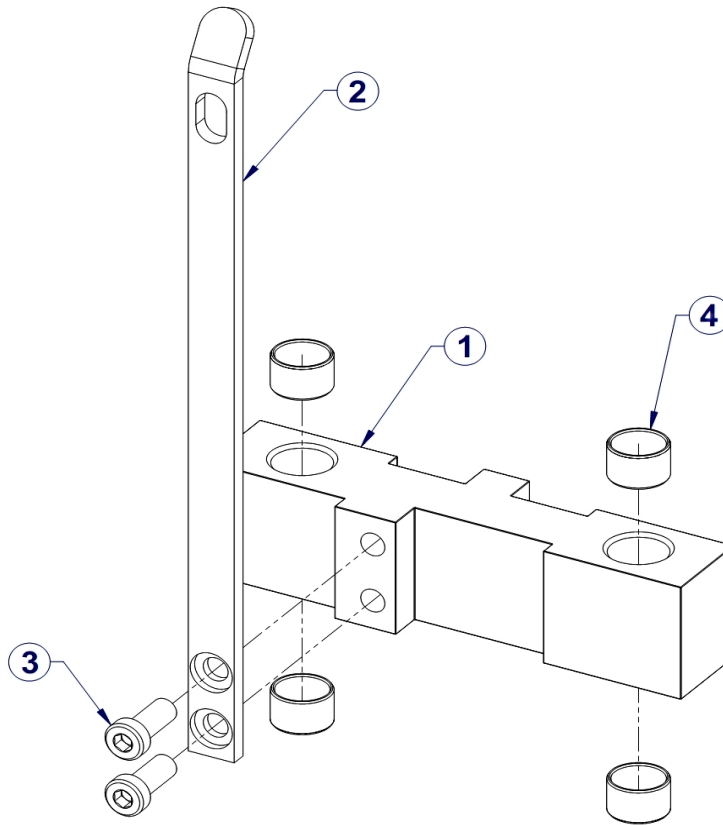


Ref #	Part Number	Qty	Description
1	8861295	1	Increment Weight
2	7328101	1	Bracket Increment Weight-10LB
3	3236202	2	Hardware: Screw 25MM
4	3202501	4	Bearing Sleeve

** Upholstery and Frame Colors are list at the end of the Parts Manual **

** Shroud Options are list at the end of the Parts Manual **

Optional 7.5Lb Increment Weight Assembly

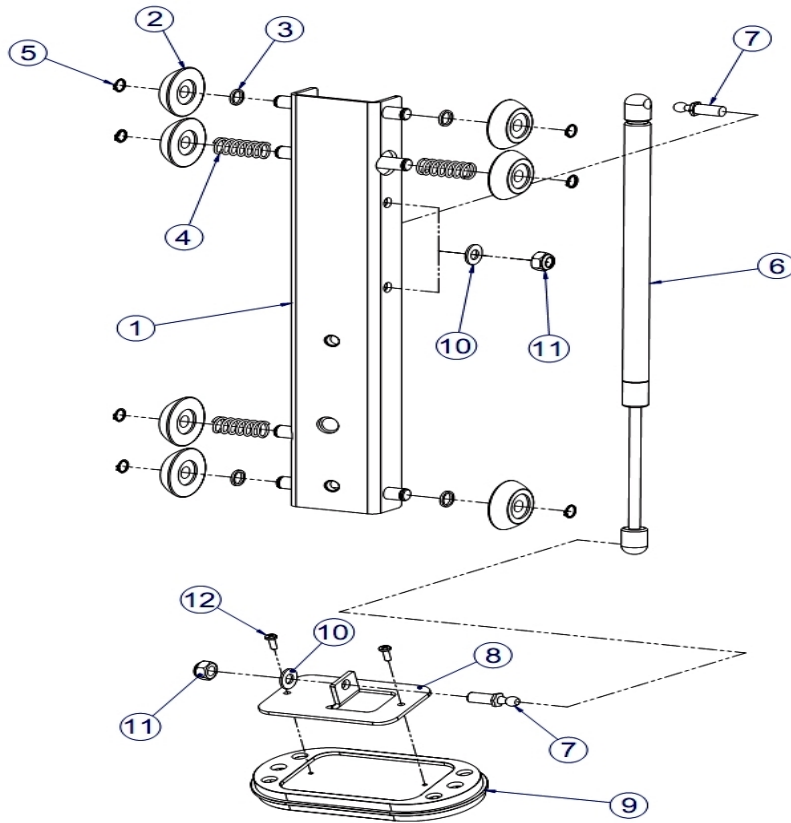


Ref #	Part Number	Qty	Description
1	8861295	1	Increment Weight
2	7328201	1	Bracket Increment Weight-15LB
3	3236202	2	Hardware: Screw 25MM
4	3202501	4	Bearing Sleeve

** Upholstery and Frame Colors are list at the end of the Parts Manual **

** Shroud Options are list at the end of the Parts Manual **

Seat Carriage Assembly

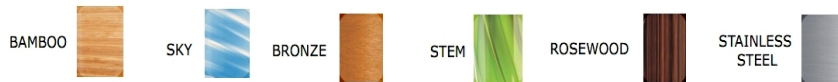
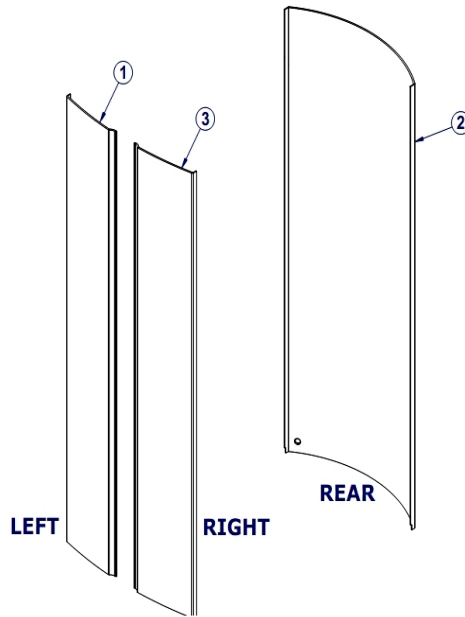


Ref #	Part Number	Qty	Description
1	7911295	1	Weldment Seat Carriage Shadow Gray
2	7889701	7	Roller Seat Carriage
3	7911901	4	Spacer .625 Diameter X 16 GA
4	7912001	3	Spring Seat Carriage
5	3232408	7	Reatining Ring 0.443" D
6	3235703	1	Gas Spring
7	7414301	2	Stud M10 Ball End M10 X 1.5
8	7339401	1	Gas Spring Bracket
9	7334001	1	Foot 2.50 X 4.49 Flov 10-0074-046 BNR
10	3273303	2	Hardware: WasherR, 3/8, THRU-HARDENED
11	3236801	2	Hardware: Nut 10 MM ID
12	3273501	2	M4 PHL PAN C ST ZN

** Upholstery and Frame Colors are list at the end of the Parts Manual **

** Shroud Options are list at the end of the Parts Manual **

Stackwraps Shroud

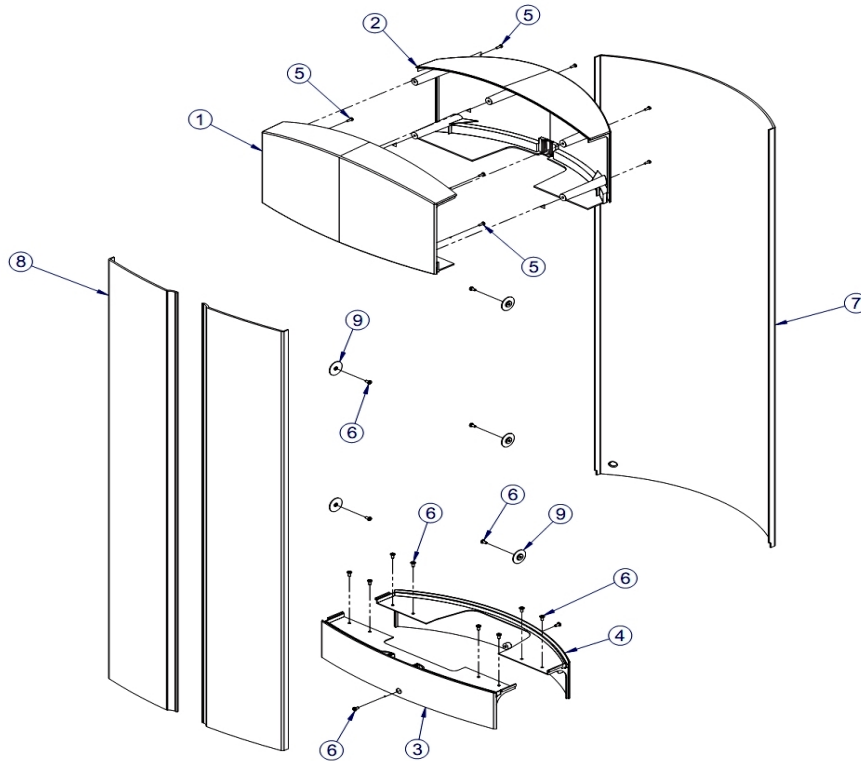


Ref #	Part Number	Qty	Description
1	8954401	1	Shroud FZ Front Left - Bronze
1	8954301	1	Shroud FZ Front Short Left -Sky
1	8954701	1	Shroud FZ Front Short Left -Stainless Steel
1	8954601	1	Shroud FZ Front Short Left -Rosewood
1	8954501	1	Shroud FZ Front Short Left -Stem
1	8954201	1	Shroud FZ Front Short Left -Bamboo
2	8950101	1	Shroud FZ Rear Short -Stainless Steel
2	8949501	1	Shroud FZ Rear -Bronze
2	8949101	1	Shroud FZ Rear Short -Bamboo
2	8949701	1	Shroud FZ Rear Short -Stem
2	8949901	1	Shroud FZ Rear Short -Rosewood
2	8949301	1	Shroud FZ Rear Short -Sky
3	8949401	1	Shroud FZ Front Short Right -Bronze
3	8950001	1	Shroud FZ Front Short Right-Stainless Steel
3	8949601	1	Shroud FZ Front Short Right -Stem
3	8949001	1	Shroud FZ Front Short Right -Bamboo
3	8949801	1	Shroud FZ Front Short Right -Rosewood
3	8949201	1	Shroud FZ Front Short Right -Sky

** Upholstery and Frame Colors are list at the end of the Parts Manual **

** Shroud Options are list at the end of the Parts Manual **

Standard Plastic Tower Assembly

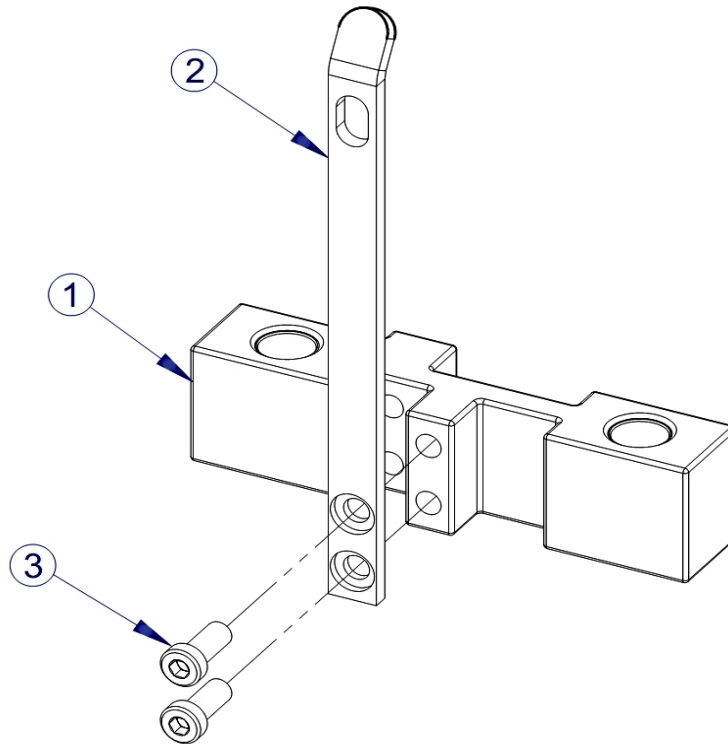


Ref #	Part Number	Qty	Description
1	7318601	1	Cover Tower-Top Front
2	7318701	1	Cover Tower - Top Rear
3	7318801	1	Cover Tower-Bottom Front
4	7318901	1	Cover Tower-Bottom Rear
5	3236501	9	Hardware: Nut 0.7" ID
6	3239101	16	Hardware: Phillips Pan Screw
7	7765701	1	Tower Shroud-Rear Short
8	7765601	2	Tower Shroud-Front Short
9	7583501	6	Retainer FZ Shroud

** Upholstery and Frame Colors are list at the end of the Parts Manual **

** Shroud Options are list at the end of the Parts Manual **

10Lb Increment Weight Assembly

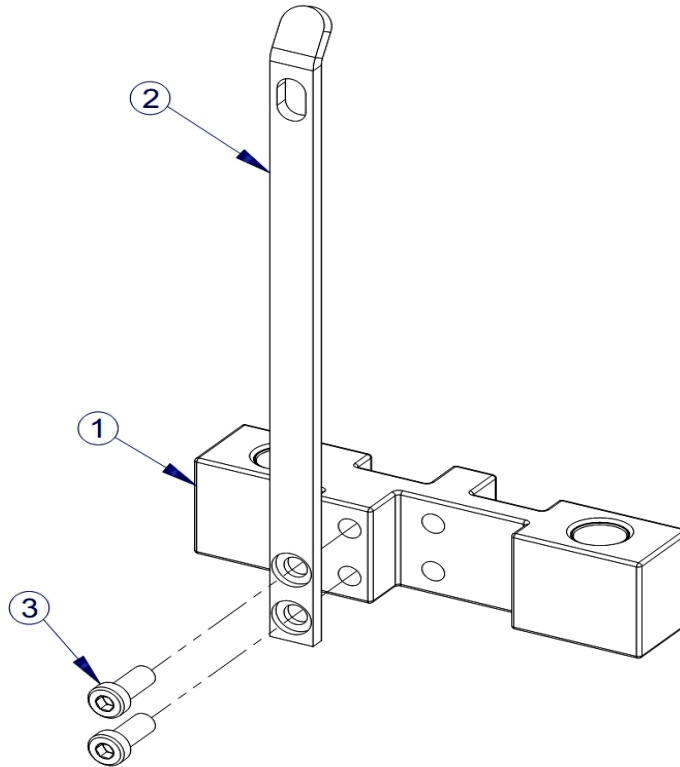


Ref #	Part Number	Qty	Description
1	7968501	1	Assembly FZ Inc Weight 5LB
2	7328101	1	Bracket Increment Weight-10LB
3	3236202	2	Hardware: Screw 25MM

** Upholstery and Frame Colors are list at the end of the Parts Manual **

** Shroud Options are list at the end of the Parts Manual **

15Lb Increment Weight Assembly

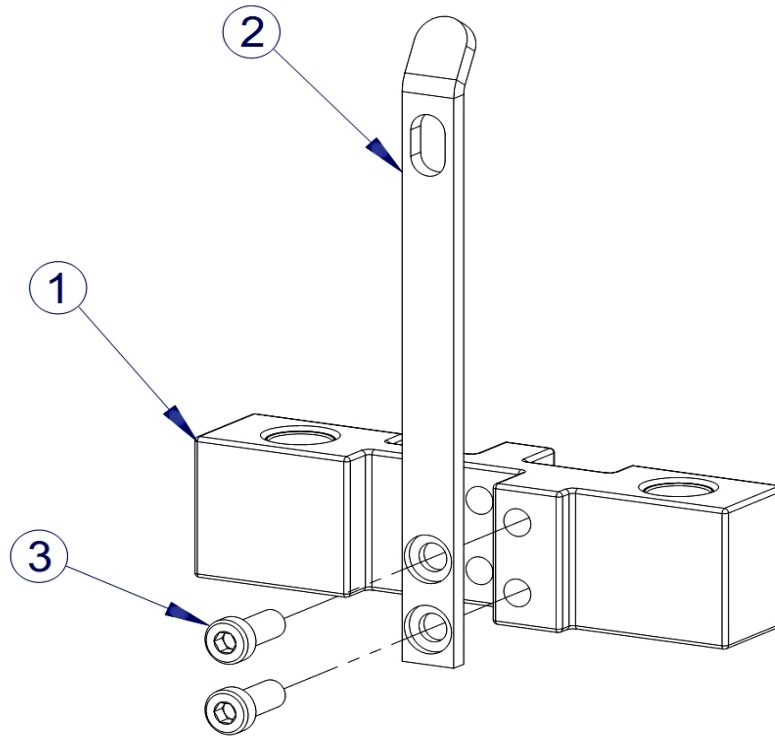


Ref #	Part Number	Qty	Description
1	7968501	1	Assembly FZ Inc Weight 5LB
2	7328201	1	Bracket Increment Weight-15LB
3	3236202	2	Hardware: Screw 25MM

** Upholstery and Frame Colors are list at the end of the Parts Manual **

** Shroud Options are list at the end of the Parts Manual **

5Lb Increment Weight Assembly



Ref #	Part Number	Qty	Description
1	7968501	1	Assembly FZ Inc Weight 5LB
2	7328001	1	Bracket Increment Weight-5LB
3	3236202	2	Hardware: Screw 25MM

** Upholstery and Frame Colors are list at the end of the Parts Manual **

** Shroud Options are list at the end of the Parts Manual **

Frame and Upholstery Color Chart

Frame Colors



Note: Include frame color in order notes when ordering frame assemblies or weldments.

Upholstery Colors



Replace '99' with the above color suffix when ordering pads (i.e. 7412399 = 7412301 BLACK)

Shroud Options Chart

STANDARD SHROUD NO WRAP



TRANSLUCENT



OPTIONAL StackWraps™

SHROUD + WRAP

BAMBOO



BRONZE



ROSEWOOD



SKY



STAINLESS
STEEL



STEM



CO-BRANDED StackWraps™

SHROUD + WRAP

(refer to co-branded parts list)



PLANET FITNESS

blink FITNESS



BLINK FITNESS



RETRO FITNESS