

Signature Series Single Station - Pectoral

FZPEC

Parts Manual

1/5/2019 13:49:38 PM



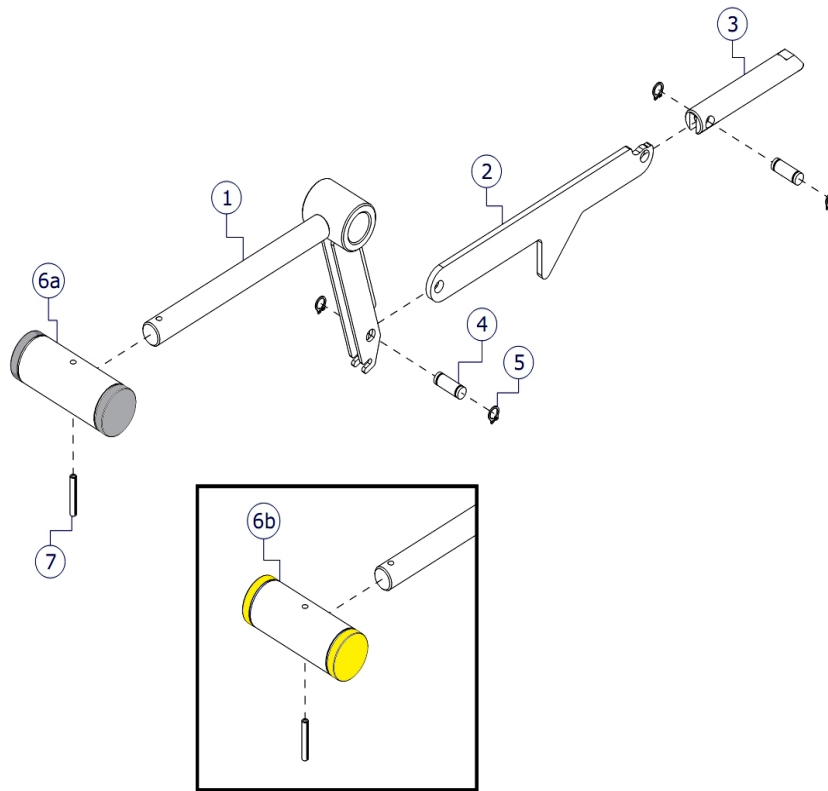
Table of Contents

Adjuster Handle Assembly.....	3
Component Assembly.....	4
Head Plate Assembly.....	7
Optional Light PEC-14 Tower Assembly.....	9
Optional 2.5Lb Increment Weight Assembly.....	11
Optional 5Lb Increment Weight Assembly.....	12
Optional 7.5Lb Increment Weight Assembly.....	13
PEC-14 Tower Assembly.....	14
Seat Carriage Assembly.....	16
Stackwraps Shroud.....	17
10Lb Increment Weight Assembly.....	18
15Lb Increment Weight Assembly.....	19
5Lb Increment Weight Assembly.....	20

** Upholstery & Frame Colors are listed at the end of the Parts Manual **

** Shroud Options are listed at the end of the Parts Manual **

Adjuster Handle Assembly

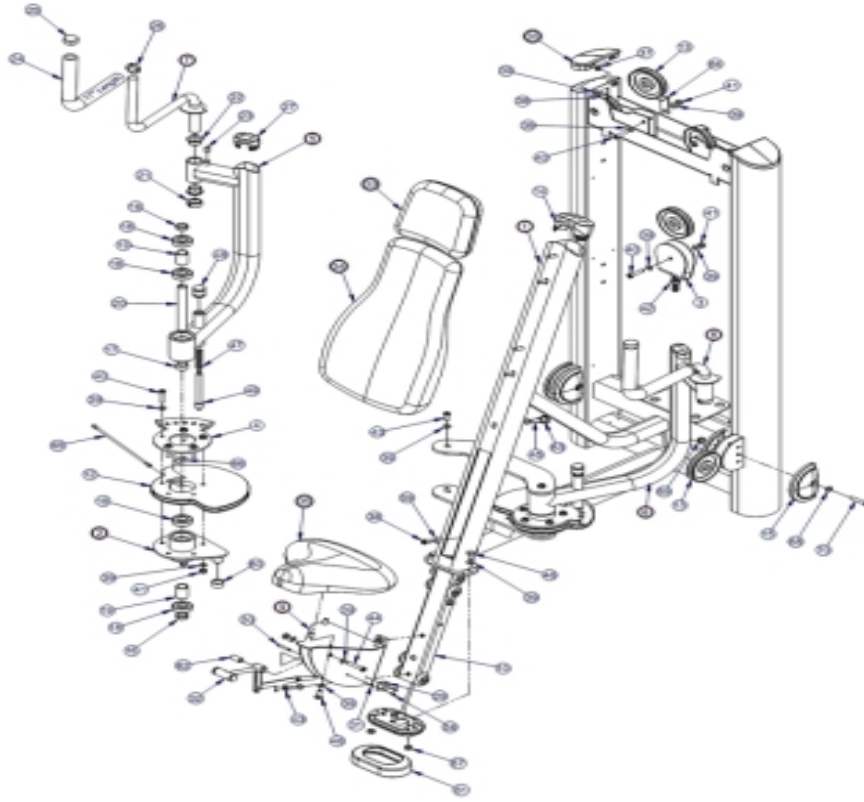


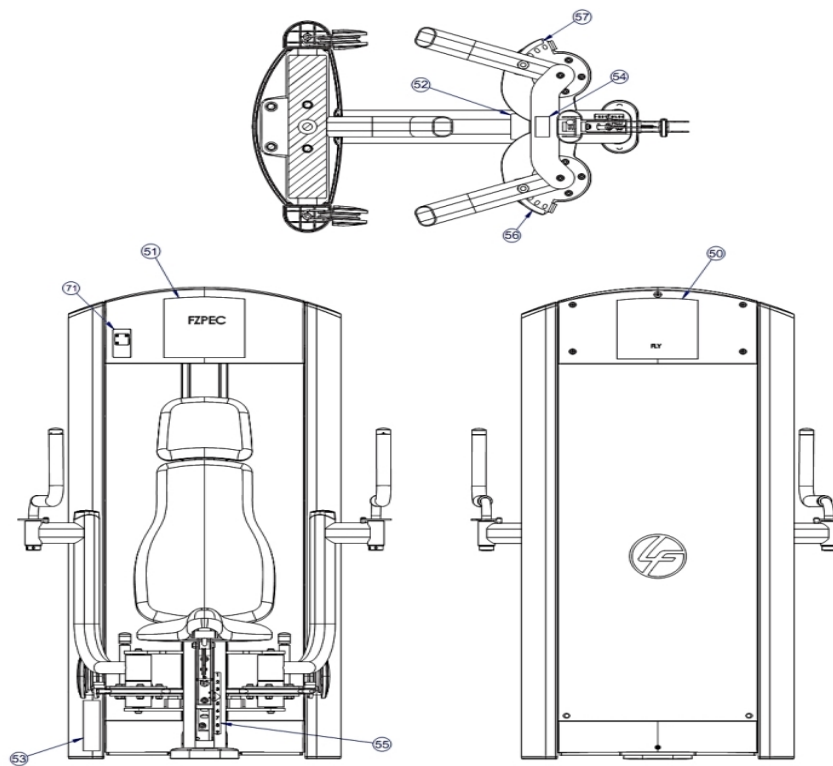
Ref #	Part Number	Qty	Description
1	7777595	1	Weldment FZ Seat Adj Handle Shadow Gray
2	9164801	1	LINK, ADJUSTER
3	9154101	1	PIN, INDEX
4	7407501	2	Pin Link X .520
5	3232401	4	Retaining Ring 0.230" D
6A	7287901	1	Handle Adjuster
6B	7287903	1	Adjuster Handle
7	3110010	1	Roll Pin 1/8" D X 7/8" L

** Upholstery and Frame Colors are list at the end of the Parts Manual **

** Shroud Options are list at the end of the Parts Manual **

Component Assembly





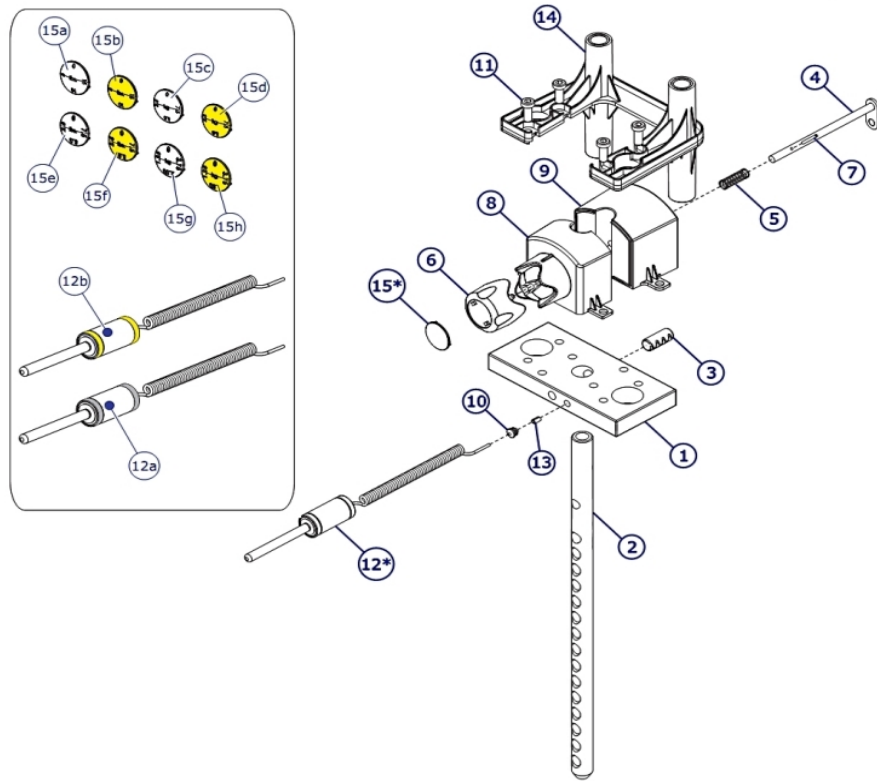
Ref #	Part Number	Qty	Description
2	8165099	2	Weldment, FZPEC, Pivot Housing Custom
3	7625095	1	Weldment FZ Weight Stack Pulley Bracket
4	8165201	2	Bracket FZPEC Cam Adjuster
5	8164899	1	Weldment, FZPEC, Press Arm - RT Custom
6	8164699	1	Weldment, FZPEC, Press Arm - LH Custom
7	7486099	1	Weldment, FZFLY Handle - RT Custom
8	7486199	1	Weldment, FZFLY Handle - LT Custom
9	7330599	1	Weldment, FZ Seat Support Custom
10	7911101	1	Assembly Seat Carriage
12	8165501	2	Cam FZPEC
13	3237801	7	Pulley 4.5" OD
14	7333901	1	End Cap FLOV Large
15	8094101	4	Pulley Cover Partial
16	7330001	4	Spacer Internal X .403
17	7330002	2	Spacer Internal 0.653" L
18	3235601	8	Ball Bearing
19	7330006	4	Spacer Internal X 1.765
20	7316509	2	Shaft 25MM D 13.74" L
21	7435301	2	Collar Shaft 1.020 ID
22	3104903	4	Bearing 1" ID 1.25" OD
23	3238501	2	Cap
24	3235802	2	Grip 1.5" OD
25	7662902	2	Grip Cap
26	7662802	2	Grip Ring 1.5"
27	7333801	2	End Cap FLOV Small
28	3273101	1	SPRING, EXT, .50 X .067 X 2.00
29	7425295	1	Bracket Seat Indicator Shadow Gray
30	7407502	1	Pin Link X 1.531
31	3232401	2	Reatining Ring 0.230" D

Ref #	Part Number	Qty	Description
32	7778001	1	Assembly, FZ Adjuster Handle White
32	7778003	1	Assembly, FZ Adjuster Handle Black
33	7474399	1	ASSY, HEAD REST PAD Custom
34	7474199	1	ASSY, LARGE BACK PAD Custom
35	7297199	1	PAD, SEAT SADDLE Custom
36	7326299	2	Cap, D-Tube-Top Custom
37	3238601	4	Blind Thread Insert - 1.5"
38	3236201	5	Hardware: Screw 20MM
39	3273303	54	Hardware: WasherR, 3/8, THRU-HARDENED
40	3236206	15	Hardware: Screw 45MM
41	3236801	16	Hardware: Nut 10 MM ID
42	3236902	1	Hardware: Nut 16 MM ID
43	3236202	6	Hardware: Screw 25MM
44	3236208	1	Hardware: Screw 55MM
45	3251203	5	Hardware: Screw 30MM
46	3251202	6	Hardware: Screw 25MM
47	7351501	2	Pull Pin Spring
48	7424803	2	KNOB TULIP STYLE
48	7424801	2	Pop Pin Knob
49	7425102	2	Pull Pin 6.750
50	7603001	1	Label FZFLY Logo
51	8173201	1	Label FZPEC Placard English
52	7571301	1	Label Serial Number
53	7422004	1	Label 2" ASTM Warning
54	8039501	1	Label Warning Triangle 10-0099-067 BNR
55	7524501	1	Label 1-9 Straight
56	8171401	1	Label FZPEC 1-5 Curved Left
57	8171301	1	Label FZPEC 1-5 Curved Right
58	3239101	2	Hardware: Phillips Pan Screw
59	LEA7385203	1	Spacer
60	7690101	2	Bumper Sleeve- 1.000 ID
61	7419601	1	Foot Cover - 20 Degrees
62	7776501	1	Shaft .625 X .406 X 1.200
63	3237403	5	Plug 1" Hole
64	6757701	2	Cable Clip
65	7423809	1	Cable FZPEC 224-1/2"
66	7342201	2	Plate Cable End
67	3254703	2	Hardware: Nut 10 MM ID
68	7630101	2	Retainer CM/MJ Pulley
69	7335401	2	Hardware: Nut 10 MM ID
70	3236207	2	Hardware: Screw 50MM
71	9311101	1	LABEL, FZPEC, NFC-QR TAG

** Upholstery and Frame Colors are list at the end of the Parts Manual **

** Shroud Options are list at the end of the Parts Manual **

Head Plate Assembly



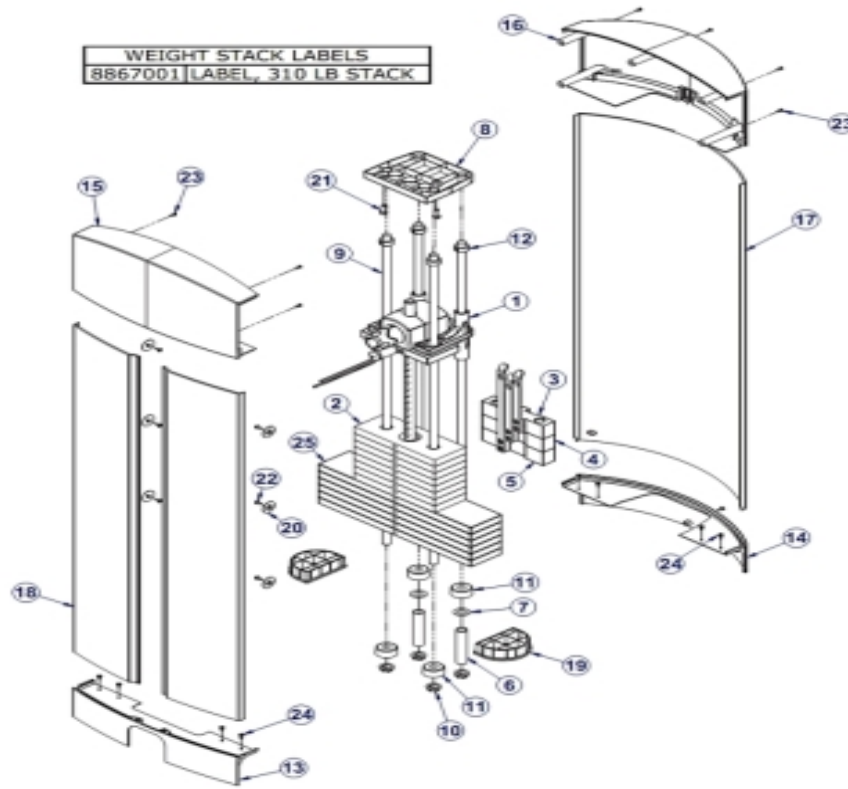
Ref #	Part Number	Qty	Description
1	7326701	1	Head Plate
2	7328901	1	Stem 14 Plate
3	3236001	1	SpringPin Bushing
4	7327201	1	Incremental Weight Pin
5	8024501	1	Spring
6	7326101	1	Incremental Weight Selector Knob
7	3110008	1	Roll Pin 1/8" D 1-1/4" L
8	7326401	1	Selector Housing - Front
9	7326501	1	Selector Housing - Rear
10	7356501	1	Plug Lanyard Attachment
11	3236202	4	Hardware: Screw 25MM
12A	7338101	1	Weight Stack Selector Pin
12B	7338103	1	Weight Stack Selector Pin
13	7523601	1	Crimp Cable
14	8867301	1	Assembly FZ Stabilizer with Bushings
15A	7398601	1	Selector Knob Cap - 5 LBS Silver
15H	8946503	1	CAP, FZ SELECTOR KNOB - 1.25 KG, YELLOW
15B	7398603	1	Selector Knob Cap - 5 LBS Yellow
15G	8946501	1	CAP, FZ SELECTOR KNOB - 1.25 KG, SILVER
15F	8865803	1	FZ Selector Knob Cap - 2.5 LBS Yellow
15D	7398703	1	Selector Knob Cap - 2.5 KG Yellow
15C	7398701	1	Selector Knob Cap - 2.5 KG Silver

Ref #	Part Number	Qty	Description
15E	8865801	1	FZ Selector Knob Cap - 2.5 LBS Silver

** Upholstery and Frame Colors are list at the end of the Parts Manual **

** Shroud Options are list at the end of the Parts Manual **

Optional Light PEC-14 Tower Assembly



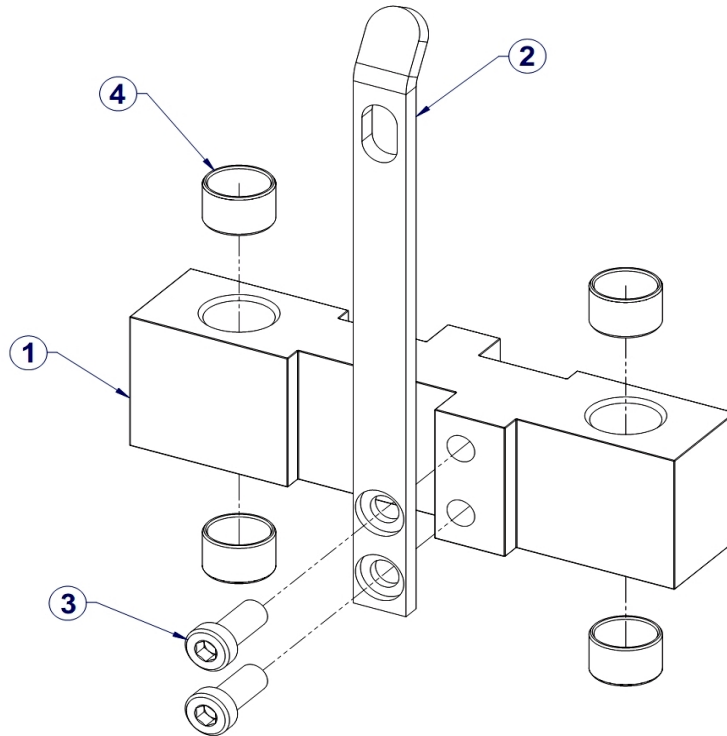
Ref #	Part Number	Qty	Description
1	7350701	1	Assembly Head Plate (14)
2	7353701	8	Weight Plate 10 LB
3	8861301	1	Assembly FZ Inc Weight - 2.5 LB
4	8861401	1	Assembly FZ Inc Weight - 5 LB
5	8861501	1	Assembly FZ Inc Weight - 7.5 LB
6	7328701	2	Spacer Inc Weight Stack 14 Plate
7	7351001	2	Spacer Increment Weight Stack
8	7621101	1	Guide Rod Retainer Top
9	7328619	4	Guide Rod 75" OD 47.00" L
10	7337901	4	Bushing Guide Rod
11	7352101	4	Cushion Weight Stack
12	3103301	4	Shaft Collar 3/4" ID Zinc
13	8170301	1	Tower Cover FZPEC-Bottom Front
14	7318901	1	Cover Tower-Bottom Rear
15	7318601	1	Cover Tower-Top Front
16	7318701	1	Cover Tower - Top Rear
17	7765701	1	Tower Shroud-Rear Short
18	7765601	2	Tower Shroud-Front Short
19	7326301	2	Cap D-Tube-Bottom
20	7583501	6	Retainer FZ Shroud
21	3236202	2	Hardware: Screw 25MM
22	3239101	13	Hardware: Phillips Pan Screw

Ref #	Part Number	Qty	Description
23	3236501	9	Hardware: Nut 0.7" ID
24	LEA3239102	2	Hardware: Screw
25	7328401	6	Weight Plate 20 LB
-	8867001	1	Label 310 LB Stack

** Upholstery and Frame Colors are list at the end of the Parts Manual **

** Shroud Options are list at the end of the Parts Manual **

Optional 2.5Lb Increment Weight Assembly

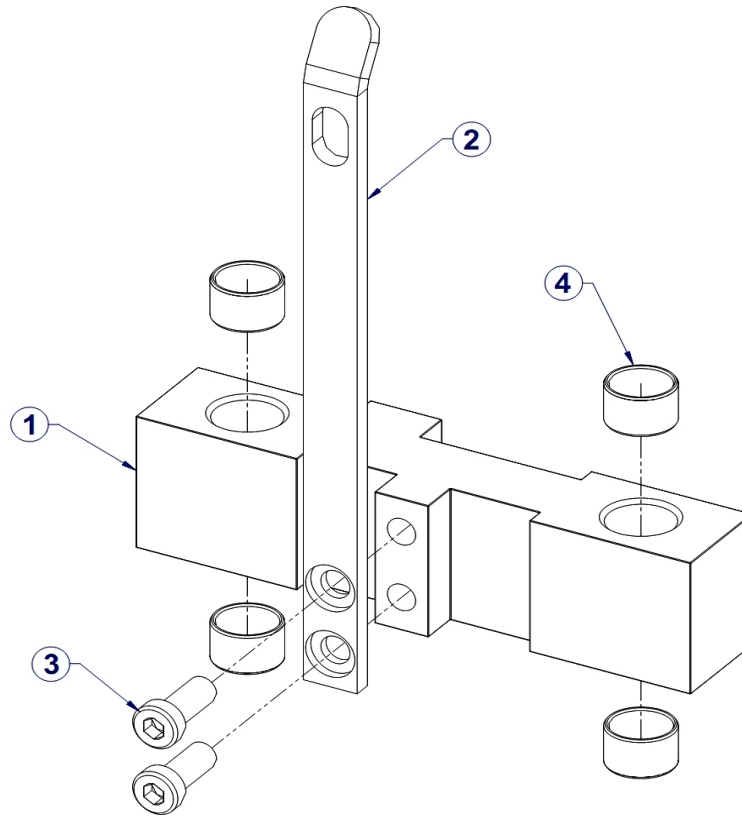


Ref #	Part Number	Qty	Description
1	8861295	1	Increment Weight
2	7328001	1	Bracket Increment Weight-5LB
3	3236202	2	Hardware: Screw 25MM
4	3202501	4	Bearing Sleeve

** Upholstery and Frame Colors are list at the end of the Parts Manual **

** Shroud Options are list at the end of the Parts Manual **

Optional 5Lb Increment Weight Assembly

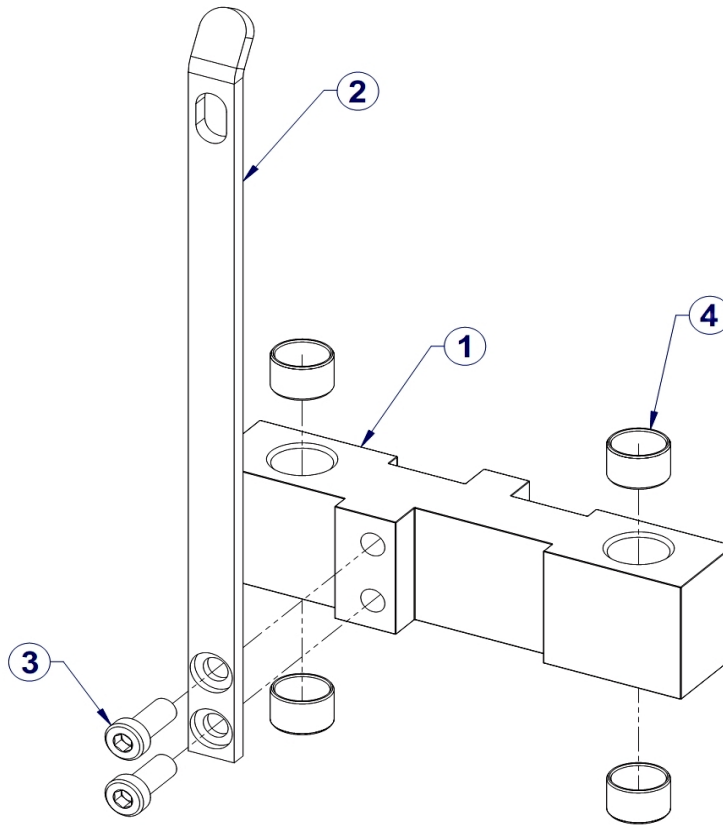


Ref #	Part Number	Qty	Description
1	8861295	1	Increment Weight
2	7328101	1	Bracket Increment Weight-10LB
3	3236202	2	Hardware: Screw 25MM
4	3202501	4	Bearing Sleeve

** Upholstery and Frame Colors are list at the end of the Parts Manual **

** Shroud Options are list at the end of the Parts Manual **

Optional 7.5Lb Increment Weight Assembly

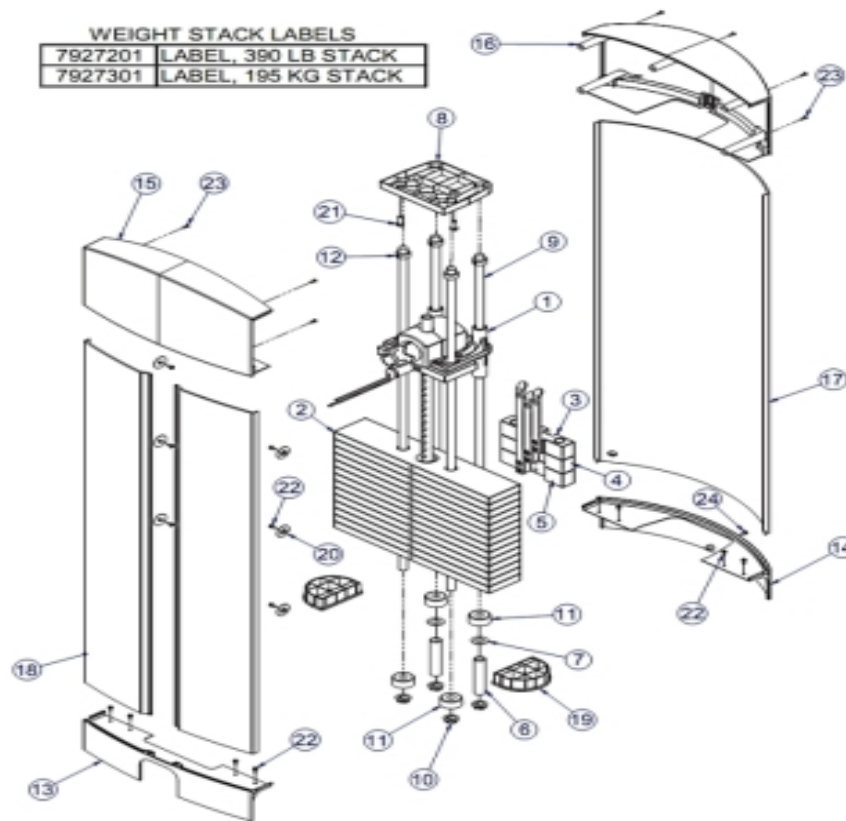


Ref #	Part Number	Qty	Description
1	8861295	1	Increment Weight
2	7328201	1	Bracket Increment Weight-15LB
3	3236202	2	Hardware: Screw 25MM
4	3202501	4	Bearing Sleeve

** Upholstery and Frame Colors are list at the end of the Parts Manual **

** Shroud Options are list at the end of the Parts Manual **

PEC-14 Tower Assembly



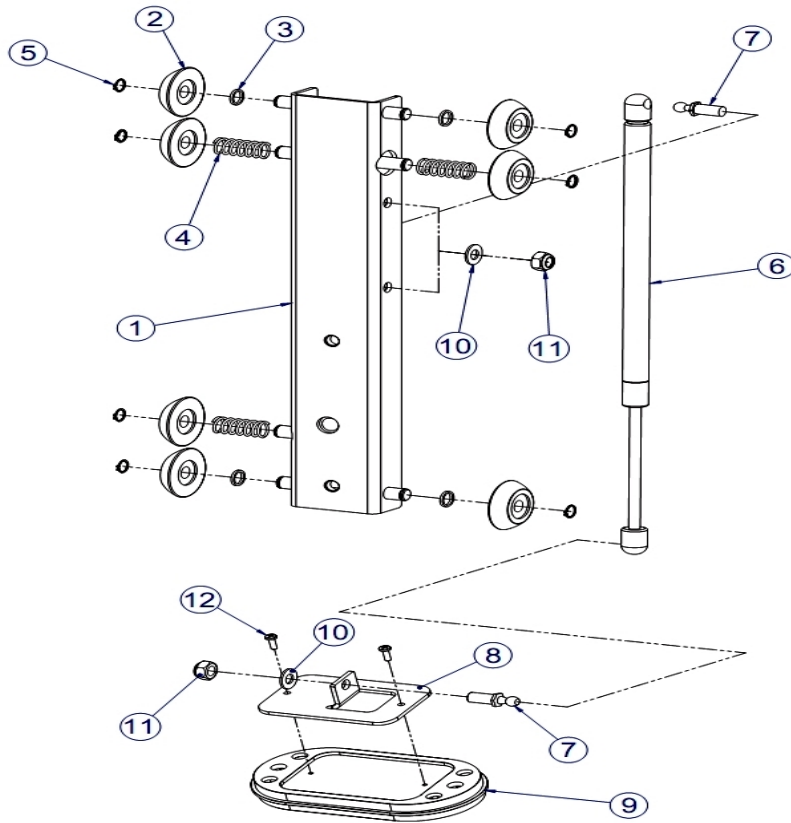
Ref #	Part Number	Qty	Description
1	7350701	1	Assembly Head Plate (14)
2	7328401	14	Weight Plate 20 LB
3	7327601	1	Assembly Increment Weight-5LB
4	7327701	1	Assembly Increment Weight-10LB
5	7327801	1	Assembly Increment Weight-15LB
6	7328701	2	Spacer Inc Weight Stack 14 Plate
7	7351001	2	Spacer Increment Weight Stack
8	7621101	1	Guide Rod Retainer Top
9	7328619	4	Guide Rod 75" OD 47.00" L
10	7337901	4	Bushing Guide Rod
11	7352101	4	Cushion Weight Stack
12	3103301	4	Shaft Collar 3/4" ID Zinc
13	8170301	1	Tower Cover FZPEC-Bottom Front
14	7318901	1	Cover Tower-Bottom Rear
15	7318601	1	Cover Tower-Top Front
16	7318701	1	Cover Tower - Top Rear
17	7765701	1	Tower Shroud-Rear Short
18	7765601	2	Tower Shroud-Front Short
19	7326301	2	Cap D-Tube-Bottom
20	7583501	6	Retainer FZ Shroud
21	3236202	2	Hardware: Screw 25MM
22	3239101	13	Hardware: Phillips Pan Screw

Ref #	Part Number	Qty	Description
23	3236501	9	Hardware: Nut 0.7" ID
24	LEA3239102	2	Hardware: Screw
-	7927301	1	Label 195 KG Stack
-	7927201	1	Label 390 LB Stack

** Upholstery and Frame Colors are list at the end of the Parts Manual **

** Shroud Options are list at the end of the Parts Manual **

Seat Carriage Assembly

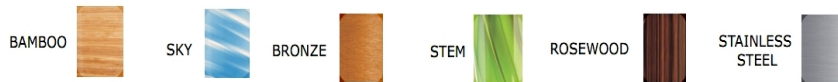
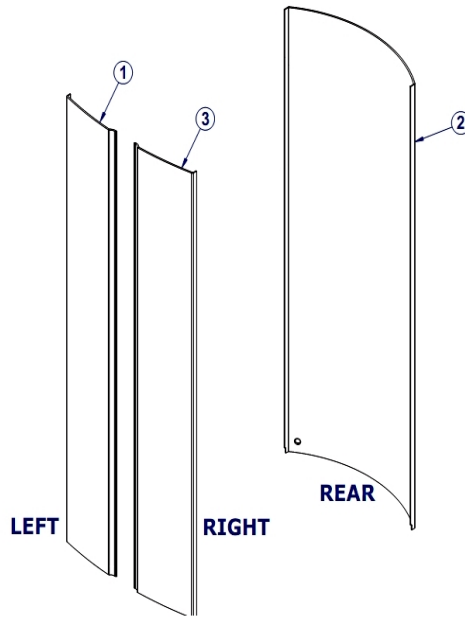


Ref #	Part Number	Qty	Description
1	7911295	1	Weldment Seat Carriage Shadow Gray
2	7889701	7	Roller Seat Carriage
3	7911901	4	Spacer .625 Diameter X 16 GA
4	7912001	3	Spring Seat Carriage
5	3232408	7	Reatining Ring 0.443" D
6	3235703	1	Gas Spring
7	7414301	2	Stud M10 Ball End M10 X 1.5
8	7339401	1	Gas Spring Bracket
9	7334001	1	Foot 2.50 X 4.49 Flov 10-0074-046 BNR
10	3273303	2	Hardware: WasherR, 3/8, THRU-HARDENED
11	3236801	2	Hardware: Nut 10 MM ID
12	3273501	2	M4 PHL PAN C ST ZN

** Upholstery and Frame Colors are list at the end of the Parts Manual **

** Shroud Options are list at the end of the Parts Manual **

Stackwraps Shroud

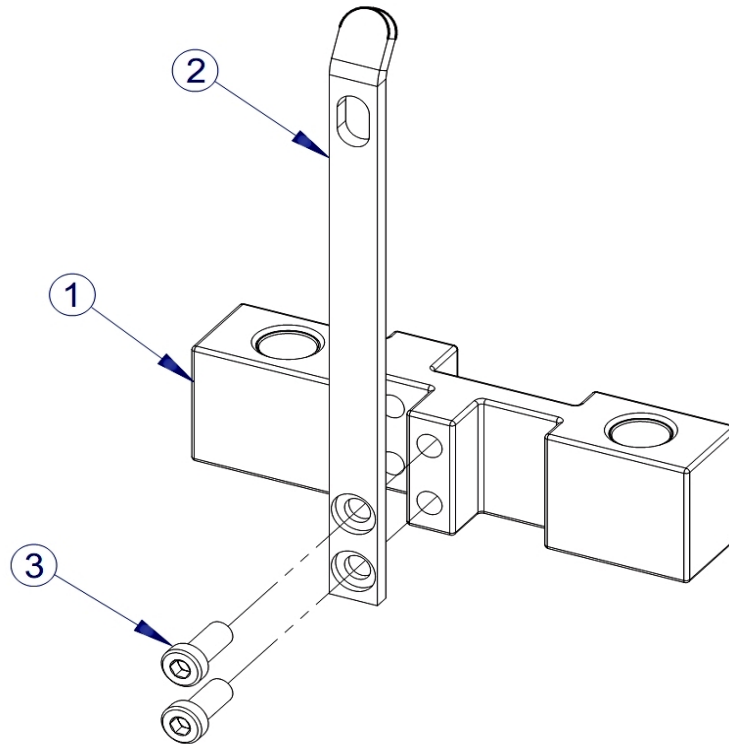


Ref #	Part Number	Qty	Description
1	8954301	1	Shroud FZ Front Short Left -Sky
1	8954601	1	Shroud FZ Front Short Left -Rosewood
1	8954501	1	Shroud FZ Front Short Left -Stem
1	8954401	1	Shroud FZ Front Left - Bronze
1	8954701	1	Shroud FZ Front Short Left -Stainless Steel
1	8954201	1	Shroud FZ Front Short Left -Bamboo
2	8949301	1	Shroud FZ Rear Short -Sky
2	8949501	1	Shroud FZ Rear -Bronze
2	8950101	1	Shroud FZ Rear Short -Stainless Steel
2	8949901	1	Shroud FZ Rear Short -Rosewood
2	8949701	1	Shroud FZ Rear Short -Stem
2	8949101	1	Shroud FZ Rear Short -Bamboo
3	8950001	1	Shroud FZ Front Short Right-Stainless Steel
3	8949801	1	Shroud FZ Front Short Right -Rosewood
3	8949201	1	Shroud FZ Front Short Right -Sky
3	8949401	1	Shroud FZ Front Short Right -Bronze
3	8949001	1	Shroud FZ Front Short Right -Bamboo
3	8949601	1	Shroud FZ Front Short Right -Stem

** Upholstery and Frame Colors are list at the end of the Parts Manual **

** Shroud Options are list at the end of the Parts Manual **

10Lb Increment Weight Assembly

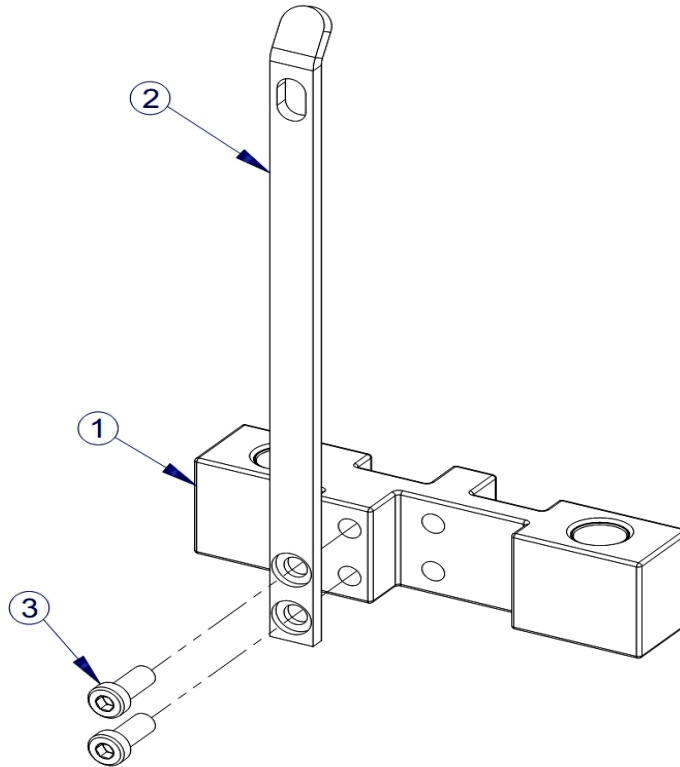


Ref #	Part Number	Qty	Description
1	7968501	1	Assembly FZ Inc Weight 5LB
2	7328101	1	Bracket Increment Weight-10LB
3	3236202	2	Hardware: Screw 25MM

** Upholstery and Frame Colors are list at the end of the Parts Manual **

** Shroud Options are list at the end of the Parts Manual **

15Lb Increment Weight Assembly

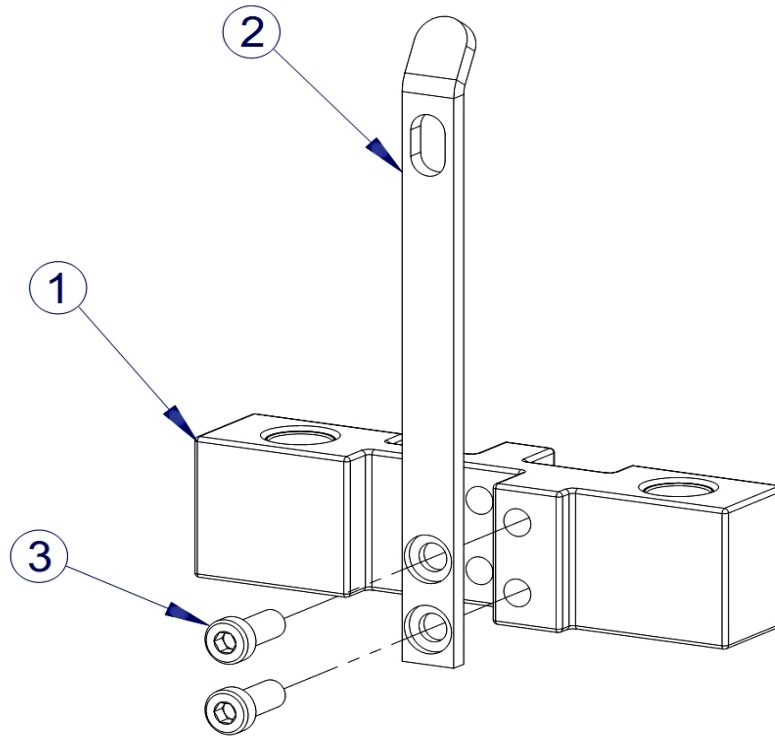


Ref #	Part Number	Qty	Description
1	7968501	1	Assembly FZ Inc Weight 5LB
2	7328201	1	Bracket Increment Weight-15LB
3	3236202	2	Hardware: Screw 25MM

** Upholstery and Frame Colors are list at the end of the Parts Manual **

** Shroud Options are list at the end of the Parts Manual **

5Lb Increment Weight Assembly



Ref #	Part Number	Qty	Description
1	7968501	1	Assembly FZ Inc Weight 5LB
2	7328001	1	Bracket Increment Weight-5LB
3	3236202	2	Hardware: Screw 25MM

** Upholstery and Frame Colors are list at the end of the Parts Manual **

** Shroud Options are list at the end of the Parts Manual **

Frame and Upholstery Color Chart

Frame Colors



Note: Include frame color in order notes when ordering frame assemblies or weldments.

Upholstery Colors



Replace '99' with the above color suffix when ordering pads (i.e. 7412399 = 7412301 BLACK)

Shroud Options Chart

STANDARD SHROUD NO WRAP



TRANSLUCENT



OPTIONAL StackWraps™

SHROUD + WRAP

BAMBOO



BRONZE



ROSEWOOD



SKY



STAINLESS
STEEL



STEM



CO-BRANDED StackWraps™

SHROUD + WRAP

(refer to co-branded parts list)



PLANET FITNESS

blink FITNESS



BLINK FITNESS

Retro Fitness



RETRO FITNESS