

Signature Series Single Station - Row/Rear

FZRW

Parts Manual

1/5/2019 13:49:38 PM



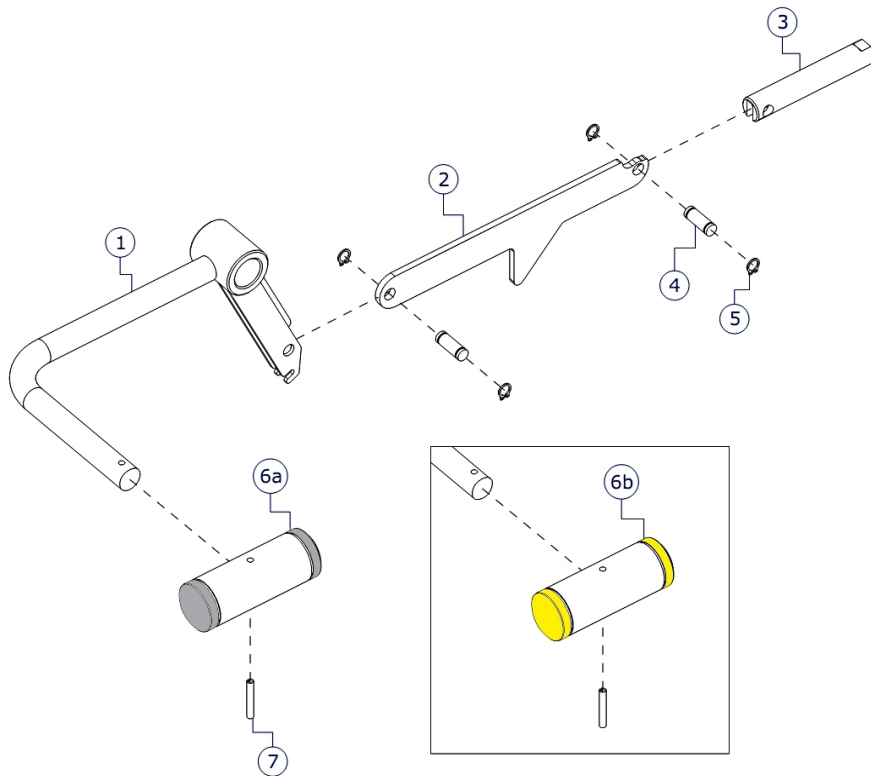
Table of Contents

Adjuster Handle Assembly.....	3
Component Assembly.....	4
Head Plate Assembly.....	8
MID-14 Tower Assembly.....	10
MID-14 Weight Stack Assembly.....	11
Optional Light MID-14 Weight Stack Assembly.....	12
Optional 2.5Lb Increment Weight Assembly.....	13
Optional 5Lb Increment Weight Assembly.....	14
Optional 7.5Lb Increment Weight Assembly.....	15
Seat Carriage Assembly.....	16
Stackwraps Shroud.....	17
Standard Plastic Tower Assembly.....	18
10Lb Increment Weight Assembly.....	19
15Lb Increment Weight Assembly.....	20
5Lb Increment Weight Assembly.....	21

** Upholstery & Frame Colors are listed at the end of the Parts Manual **

** Shroud Options are listed at the end of the Parts Manual **

Adjuster Handle Assembly

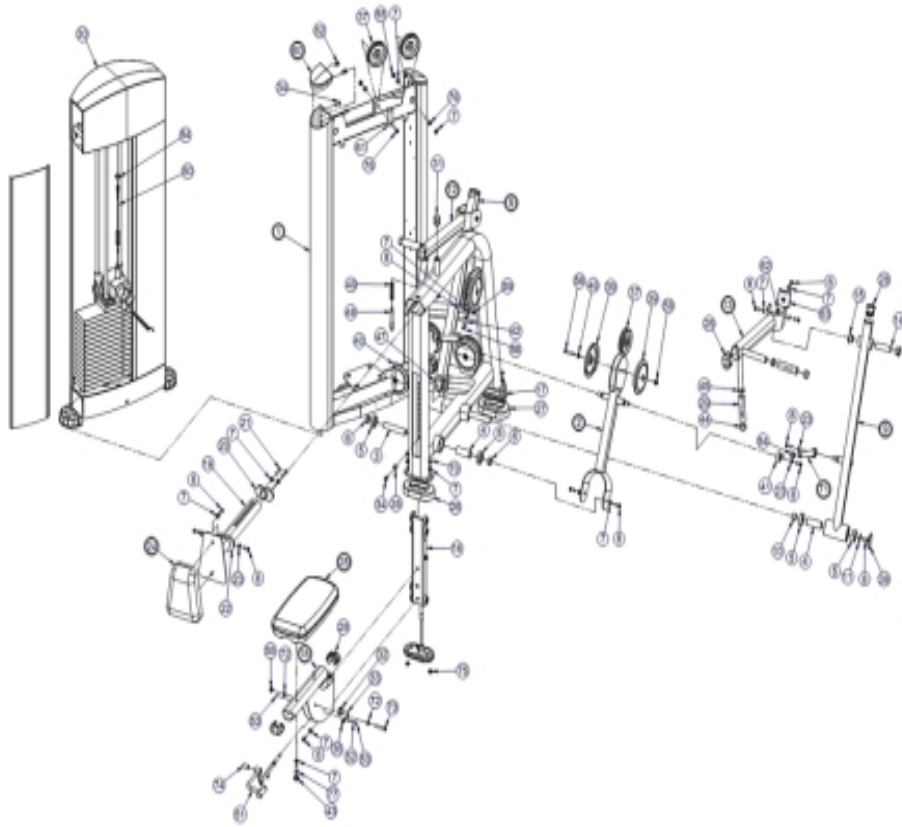


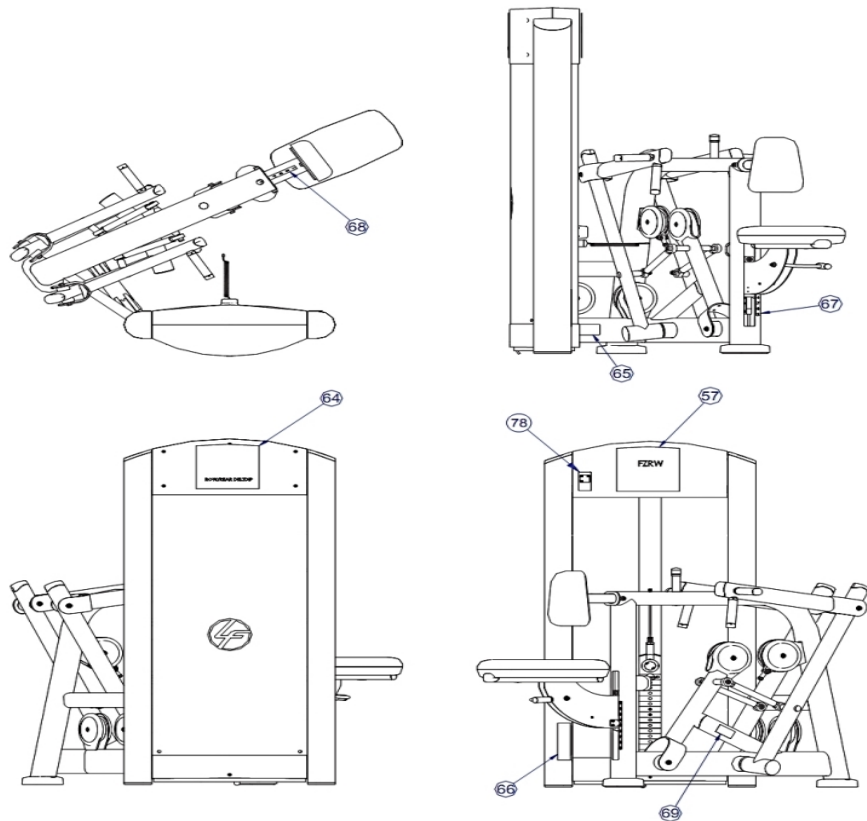
Ref #	Part Number	Qty	Description
1	7469295	1	Weldment FZ Seat Adjuster Handle
2	9164801	1	LINK, ADJUSTER
3	9154101	1	PIN, INDEX
4	7407501	2	Pin Link X .520
5	3232401	4	Retaining Ring 0.230" D
6B	7287903	1	Adjuster Handle
6A	7287901	1	Handle Adjuster
7	3110010	1	Roll Pin 1/8" D X 7/8" L

** Upholstery and Frame Colors are list at the end of the Parts Manual **

** Shroud Options are list at the end of the Parts Manual **

Component Assembly





Ref #	Part Number	Qty	Description
2	7440799	1	Weldment, FZRW Pivot Arm Custom
3	7316502	1	Shaft 25MM D 5.25" L
4	7330003	3	Spacer Internal X 3.235
5	3235601	6	Ball Bearing
6	7330001	2	Spacer Internal X .403
7	3273303	24	Hardware: WasherR, 3/8, THRU-HARDENED
8	3236202	21	Hardware: Screw 25MM
9	7440199	2	Weldment, FZRW Work Arm Custom
10	7330002	2	Spacer Internal 0.653" L
11	3236701	2	Fender Washer 3/8"
12	7440999	1	Weldment, FZRW Handle Left Custom
13	7441399	1	Weldment, FZRW Handle Right Custom
14	7324901	2	Shaft Tapped 1" D 3.33"
15	3104903	4	Bearing 1" ID 1.25" OD
16	7911101	1	Assembly Seat Carriage
17	7334001	1	Foot 2.50 X 4.49 Flov 10-0074-046 BNR
18	7443999	1	Weldment, FZRW Seat Custom
19	7441501	1	Weldment FZRW Chest Pad Support
20	7561101	1	Glide Internal
21	3236204	2	Hardware: Screw 35MM
22	7561001	1	Glide External
23	7385201	6	Spacer .406 X .750 X .250 SS
24	7399499	1	PAD, CHEST 10 X 7-5/8 Custom
25	7468999	1	ASSY, PAD 18 X 9 CONVEX Custom
26	7340201	1	Cover Foot - Straight
27	7419701	1	Cover Foot 10 Deg
28	7333801	6	End Cap FLOV Small
29	3235801	4	Grip - 1.25" OD
31	7424803	1	KNOB TULIP STYLE

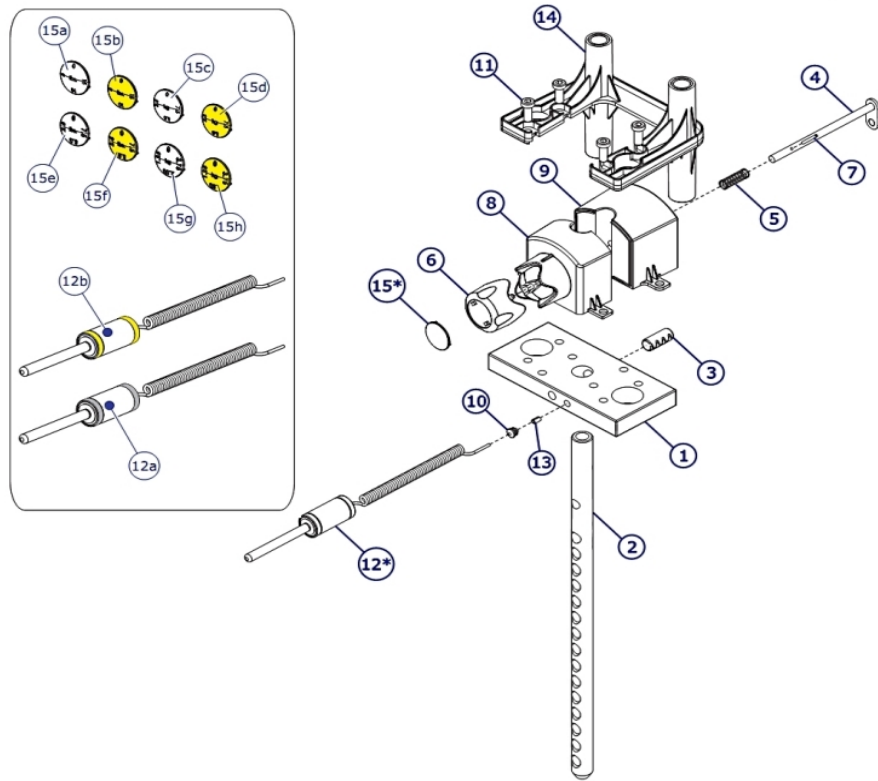
Ref #	Part Number	Qty	Description
31	7424801	1	Pop Pin Knob
32	7425295	1	Bracket Seat Indicator Shadow Gray
33	3239101	2	Hardware: Phillips Pan Screw
34	3236201	5	Hardware: Screw 20MM
35	LEA7385203	1	Spacer
36	3273101	1	SPRING, EXT, .50 X .067 X 2.00
37	3237801	6	Pulley 4.5" OD
38	7308701	2	Cap Bearing Housing
39	8104501	6	Pulley Cover Notched
40	8094101	2	Pulley Cover Partial
41	3238701	4	Rod End Male
42	3237901	1	Rod End Metric Female
43	3237403	3	Plug 1" Hole
44	7662901	4	Grip Cap
45	7662801	4	Grip Ring 1.25"
46	7630101	4	Retainer CM/MJ Pulley
47	7317901	2	Stop Bumper
48	7351301	1	Pull Pin
49	7351501	1	Pull Pin Spring
50	7423607	1	Cable FZRW 150-1/4"
51	7778203	1	Assembly FZRW Adjuster Handle Yellow
51	7778201	1	Assembly FZRW Adjuster Handle Gray
52	7407502	1	Pin Link X 1.531
53	3232401	2	Reatining Ring 0.230" D
54	3236902	5	Hardware: Nut 16 MM ID
55	3236801	3	Hardware: Nut 10 MM ID
56	3236207	4	Hardware: Screw 50MM
57	7508108	1	LABEL, FZRW PLACARD POR
57	7508109	1	LABEL, FZRW PLACARD SWE
57	7508104	1	LABEL, FZRW PLACARD SPN
57	7508105	1	Label, FZRW Placard Italian
57	7508106	1	LABEL, FZRW PLACARD DUT
57	7508102	1	LABEL, FZRW PLACARD GER
57	7508107	1	Label, FZRW Placard Japanese
57	7508101	1	Label FZRW Placard English
57	7508103	1	LABEL, FZRW PLACARD FRN
57	7508110	1	Label, FZRW Placard Russian
58	3236901	1	Hardware: Nut Hex Jam 10 MM
59	7335401	5	Hardware: Nut 10 MM ID
60	7326299	2	Cap, D-Tube-Top Custom
61	6757701	1	Cable Clip
62	3238601	6	Blind Thread Insert - 1.5"
63	7470001	2	Bumper Arm Stop
64	7508201	1	Label FZRW Logo
65	7571301	1	Label Serial Number
66	7422004	1	Label 2" ASTM Warning
67	7524501	1	Label 1-9 Straight
68	7524601	1	Label 9-1 Straight
69	8039501	1	Label Warning Triangle 10-0099-067 BNR
70	3251202	4	Hardware: Screw 25MM
71	7318099	2	Tie Rod Custom
72	7776401	2	Spacer Flange .406 X .495 X .81
73	3236208	1	Hardware: Screw 55MM
74	7776501	1	Shaft .625 X .406 X 1.200
75	3254703	4	Hardware: Nut 10 MM ID
76	3236206	2	Hardware: Screw 45MM
77	3251203	2	Hardware: Screw 30MM

Ref #	Part Number	Qty	Description
78	9311201	1	LABEL, FZRW, NFC-QR TAG

** Upholstery and Frame Colors are list at the end of the Parts Manual **

** Shroud Options are list at the end of the Parts Manual **

Head Plate Assembly



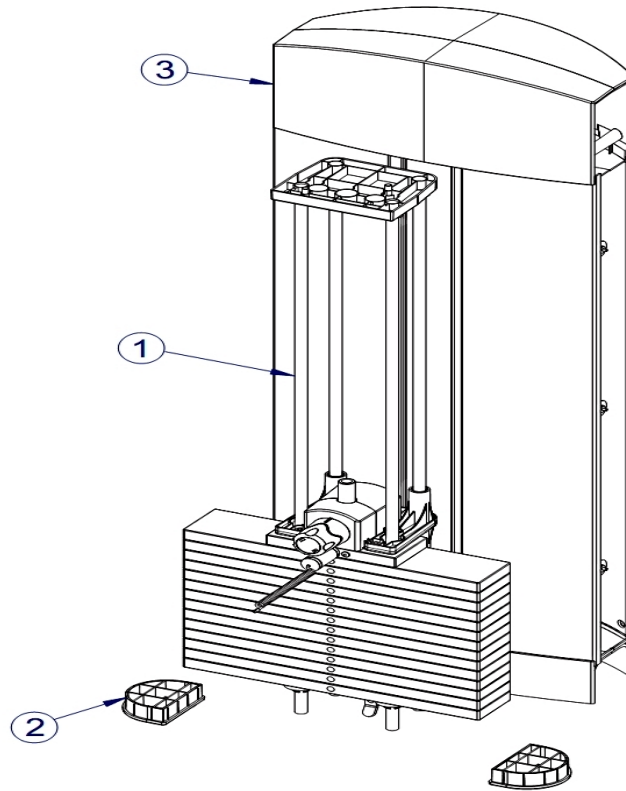
Ref #	Part Number	Qty	Description
1	7326701	1	Head Plate
2	7328901	1	Stem 14 Plate
3	3236001	1	SpringPin Bushing
4	7327201	1	Increment Weight Pin
5	8024501	1	Spring
6	7326101	1	Incremental Weight Selector Knob
7	3110008	1	Roll Pin 1/8" D 1-1/4" L
8	7326401	1	Selector Housing - Front
9	7326501	1	Selector Housing - Rear
10	7356501	1	Plug Lanyard Attachment
11	3236202	4	Hardware: Screw 25MM
12A	7338101	1	Weight Stack Selector Pin
12B	7338103	1	Weight Stack Selector Pin
13	7523601	1	Crimp Cable
14	8867301	1	Assembly FZ Stabilizer with Bushings
15E	8865801	1	FZ Selector Knob Cap - 2.5 LBS Silver
15A	7398601	1	Selector Knob Cap - 5 LBS Silver
15H	8946503	1	CAP, FZ SELECTOR KNOB - 1.25 KG, YELLOW
15D	7398703	1	Selector Knob Cap - 2.5 KG Yellow
15F	8865803	1	FZ Selector Knob Cap - 2.5 LBS Yellow
15G	8946501	1	CAP, FZ SELECTOR KNOB - 1.25 KG, SILVER
15C	7398701	1	Selector Knob Cap - 2.5 KG Silver

Ref #	Part Number	Qty	Description
15B	7398603	1	Selector Knob Cap - 5 LBS Yellow

** Upholstery and Frame Colors are list at the end of the Parts Manual **

** Shroud Options are list at the end of the Parts Manual **

MID-14 Tower Assembly



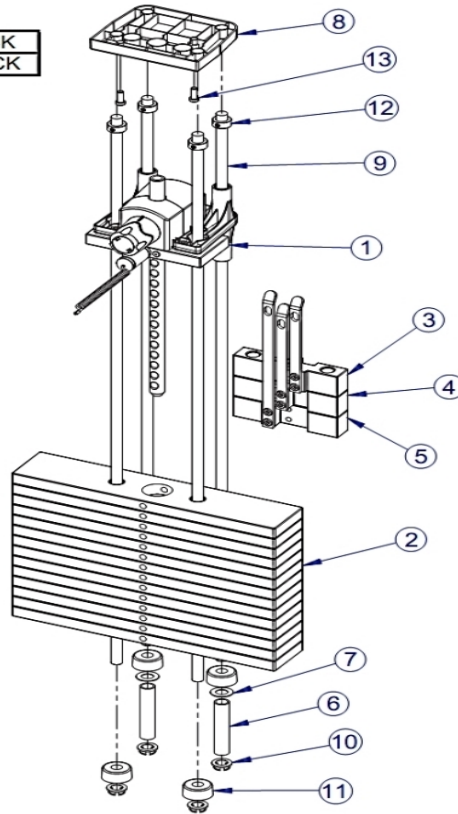
Ref #	Part Number	Qty	Description
2	7326301	2	Cap D-Tube-Bottom

** Upholstery and Frame Colors are list at the end of the Parts Manual **

** Shroud Options are list at the end of the Parts Manual **

MID-14 Weight Stack Assembly

WEIGHT STACK LABELS	
7927201	LABEL, 390 LB STACK
7927301	LABEL, 195 KG STACK



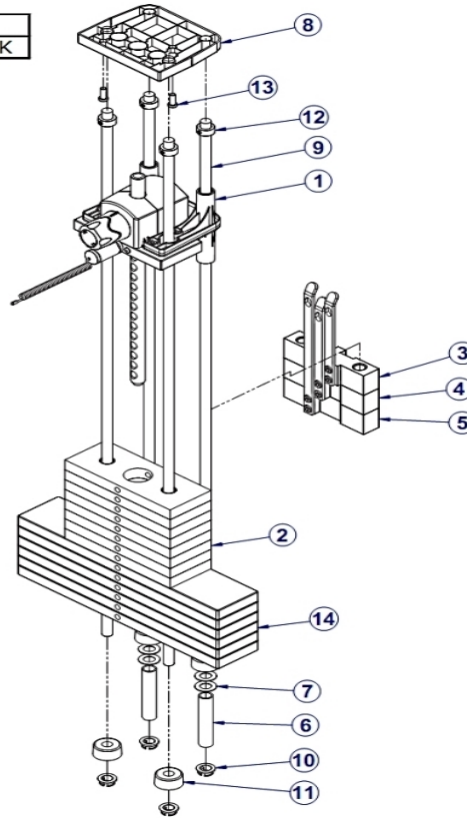
Ref #	Part Number	Qty	Description
1	7350701	1	Assembly Head Plate (14)
2	7328401	14	Weight Plate 20 LB
3	7327601	1	Assembly Increment Weight-5LB
4	7327701	1	Assembly Increment Weight-10LB
5	7327801	1	Assembly Increment Weight-15LB
6	7328701	2	Spacer Inc Weight Stack 14 Plate
7	7351001	2	Spacer Increment Weight Stack
8	7621101	1	Guide Rod Retainer Top
9	7328602	4	Guide Rod .75" OD 53.50" L
10	7337901	4	Bushing Guide Rod
11	7352101	4	Cushion Weight Stack
12	3103301	4	Shaft Collar 3/4" ID Zinc
13	3236202	2	Hardware: Screw 25MM
-	7927201	1	Label 390 LB Stack
-	7927301	1	Label 195 KG Stack

** Upholstery and Frame Colors are list at the end of the Parts Manual **

** Shroud Options are list at the end of the Parts Manual **

Optional Light MID-14 Weight Stack Assembly

WEIGHT STACK LABELS
8867001 LABEL, 310 LB STACK

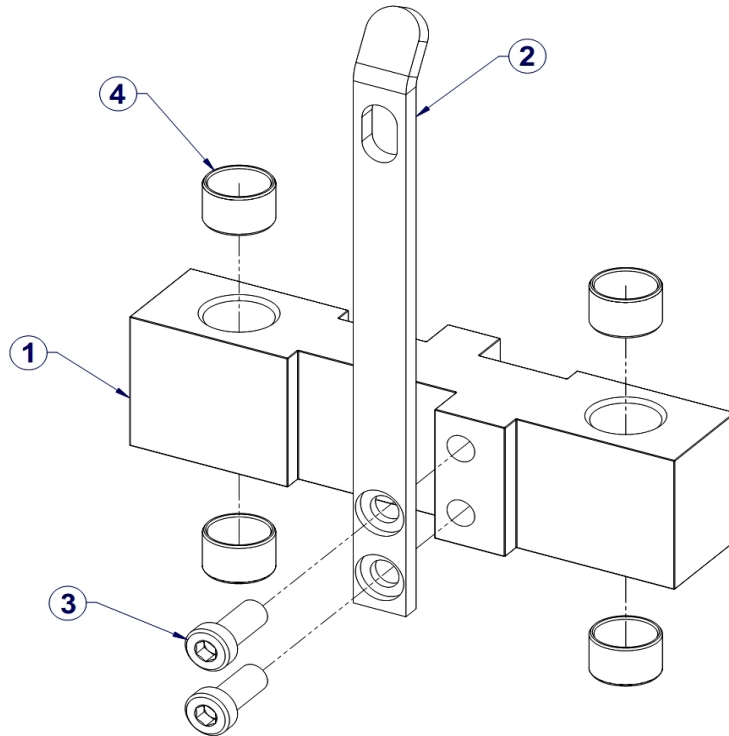


Ref #	Part Number	Qty	Description
1	7350701	1	Assembly Head Plate (14)
2	7353701	8	Weight Plate 10 LB
3	8861301	1	Assembly FZ Inc Weight - 2.5 LB
4	8861401	1	Assembly FZ Inc Weight - 5 LB
5	8861501	1	Assembly FZ Inc Weight - 7.5 LB
6	7328701	2	Spacer Inc Weight Stack 14 Plate
7	7351001	4	Spacer Increment Weight Stack
8	7621101	1	Guide Rod Retainer Top
9	7328602	4	Guide Rod .75" OD 53.50" L
10	7337901	4	Bushing Guide Rod
11	7352101	4	Cushion Weight Stack
12	3103301	4	Shaft Collar 3/4" ID Zinc
13	3236202	2	Hardware: Screw 25MM
14	7328401	6	Weight Plate 20 LB
-	8867001	1	Label 310 LB Stack

** Upholstery and Frame Colors are list at the end of the Parts Manual **

** Shroud Options are list at the end of the Parts Manual **

Optional 2.5Lb Increment Weight Assembly

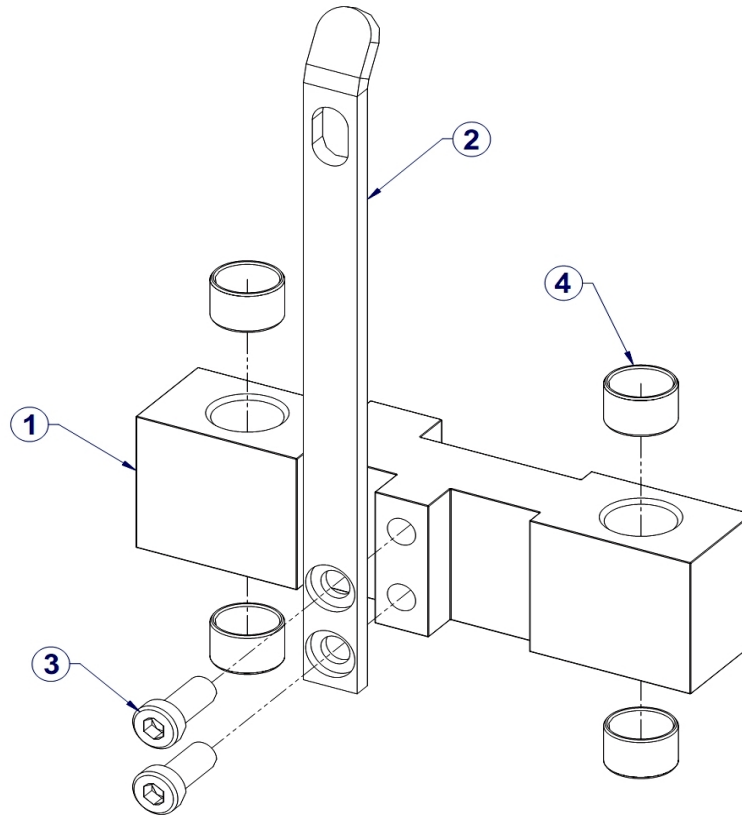


Ref #	Part Number	Qty	Description
1	8861295	1	Increment Weight
2	7328001	1	Bracket Increment Weight-5LB
3	3236202	2	Hardware: Screw 25MM
4	3202501	4	Bearing Sleeve

** Upholstery and Frame Colors are list at the end of the Parts Manual **

** Shroud Options are list at the end of the Parts Manual **

Optional 5Lb Increment Weight Assembly

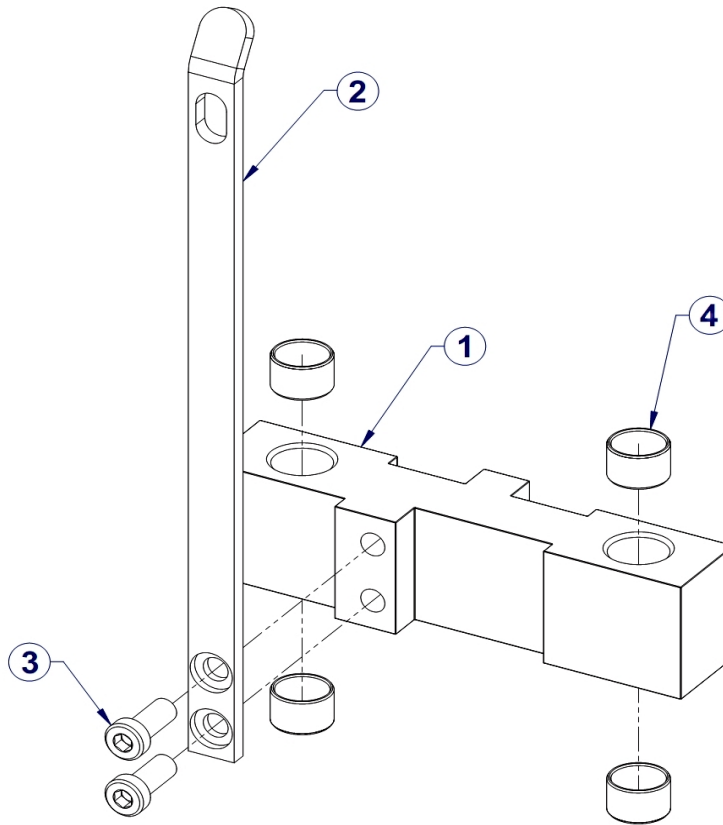


Ref #	Part Number	Qty	Description
1	8861295	1	Increment Weight
2	7328101	1	Bracket Increment Weight-10LB
3	3236202	2	Hardware: Screw 25MM
4	3202501	4	Bearing Sleeve

** Upholstery and Frame Colors are list at the end of the Parts Manual **

** Shroud Options are list at the end of the Parts Manual **

Optional 7.5Lb Increment Weight Assembly

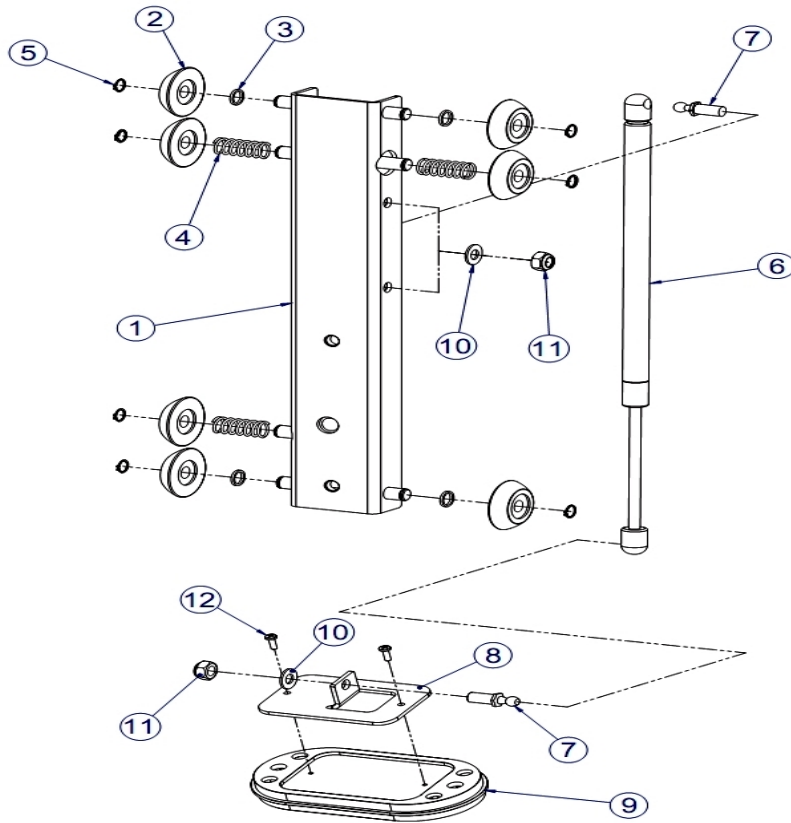


Ref #	Part Number	Qty	Description
1	8861295	1	Increment Weight
2	7328201	1	Bracket Increment Weight-15LB
3	3236202	2	Hardware: Screw 25MM
4	3202501	4	Bearing Sleeve

** Upholstery and Frame Colors are list at the end of the Parts Manual **

** Shroud Options are list at the end of the Parts Manual **

Seat Carriage Assembly

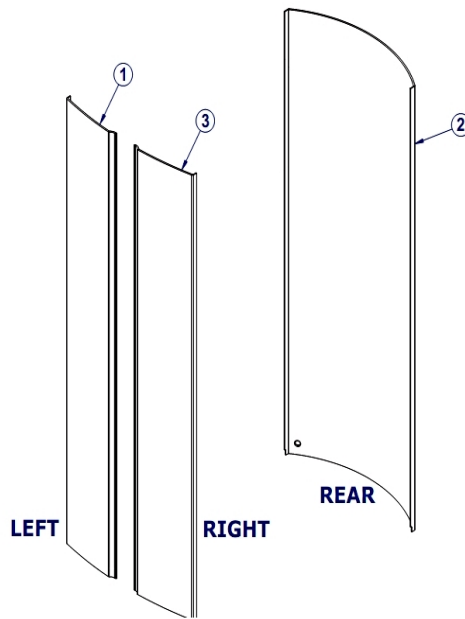


Ref #	Part Number	Qty	Description
1	7911295	1	Weldment Seat Carriage Shadow Gray
2	7889701	7	Roller Seat Carriage
3	7911901	4	Spacer .625 Diameter X 16 GA
4	7912001	3	Spring Seat Carriage
5	3232408	7	Reatining Ring 0.443" D
6	3235703	1	Gas Spring
7	7414301	2	Stud M10 Ball End M10 X 1.5
8	7339401	1	Gas Spring Bracket
9	7334001	1	Foot 2.50 X 4.49 Flov 10-0074-046 BNR
10	3273303	2	Hardware: WasherR, 3/8, THRU-HARDENED
11	3236801	2	Hardware: Nut 10 MM ID
12	3273501	2	M4 PHL PAN C ST ZN

** Upholstery and Frame Colors are list at the end of the Parts Manual **

** Shroud Options are list at the end of the Parts Manual **

Stackwraps Shroud

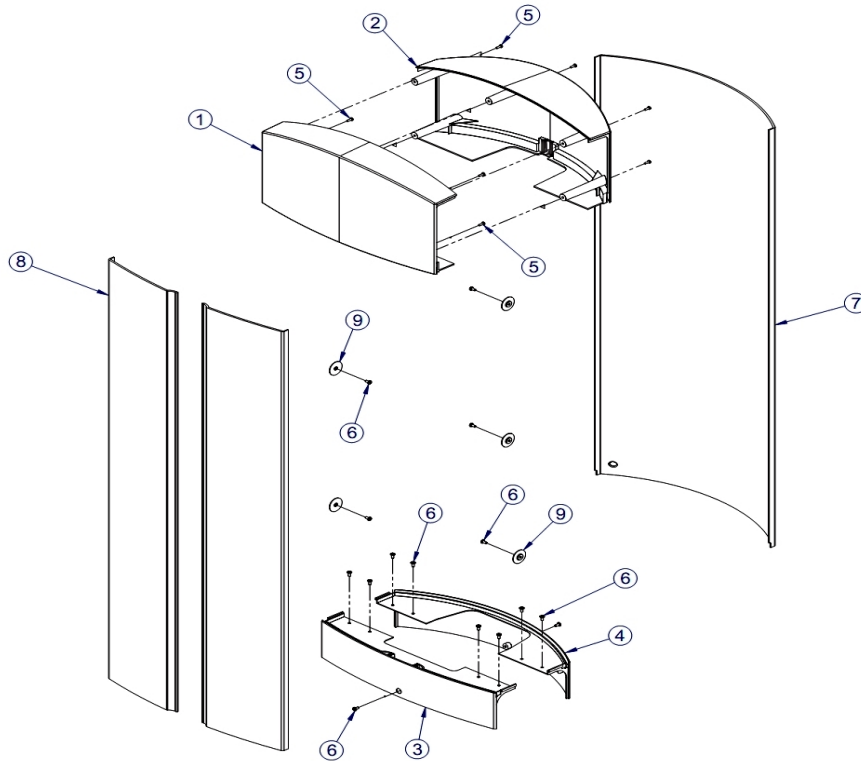


Ref #	Part Number	Qty	Description
1	8954401	1	Shroud FZ Front Left - Bronze
1	8954301	1	Shroud FZ Front Short Left -Sky
1	8954701	1	Shroud FZ Front Short Left -Stainless Steel
1	8954601	1	Shroud FZ Front Short Left -Rosewood
1	8954501	1	Shroud FZ Front Short Left -Stem
1	8954201	1	Shroud FZ Front Short Left -Bamboo
2	8950101	1	Shroud FZ Rear Short -Stainless Steel
2	8949501	1	Shroud FZ Rear -Bronze
2	8949101	1	Shroud FZ Rear Short -Bamboo
2	8949701	1	Shroud FZ Rear Short -Stem
2	8949901	1	Shroud FZ Rear Short -Rosewood
2	8949301	1	Shroud FZ Rear Short -Sky
3	8949401	1	Shroud FZ Front Short Right -Bronze
3	8950001	1	Shroud FZ Front Short Right-Stainless Steel
3	8949601	1	Shroud FZ Front Short Right -Stem
3	8949001	1	Shroud FZ Front Short Right -Bamboo
3	8949801	1	Shroud FZ Front Short Right -Rosewood
3	8949201	1	Shroud FZ Front Short Right -Sky

** Upholstery and Frame Colors are list at the end of the Parts Manual **

** Shroud Options are list at the end of the Parts Manual **

Standard Plastic Tower Assembly

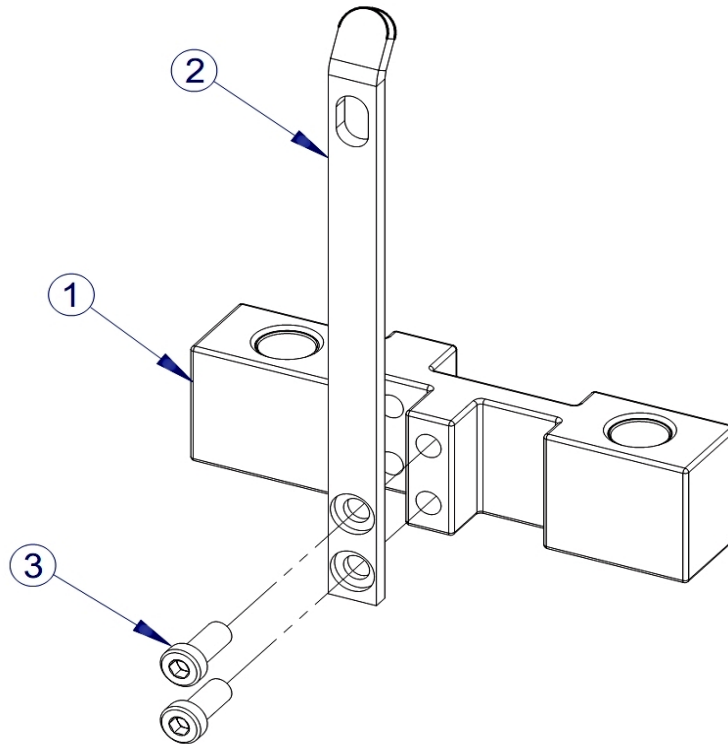


Ref #	Part Number	Qty	Description
1	7318601	1	Cover Tower-Top Front
2	7318701	1	Cover Tower - Top Rear
3	7318801	1	Cover Tower-Bottom Front
4	7318901	1	Cover Tower-Bottom Rear
5	3236501	9	Hardware: Nut 0.7" ID
6	3239101	16	Hardware: Phillips Pan Screw
7	7765701	1	Tower Shroud-Rear Short
8	7765601	2	Tower Shroud-Front Short
9	7583501	6	Retainer FZ Shroud

** Upholstery and Frame Colors are list at the end of the Parts Manual **

** Shroud Options are list at the end of the Parts Manual **

10Lb Increment Weight Assembly

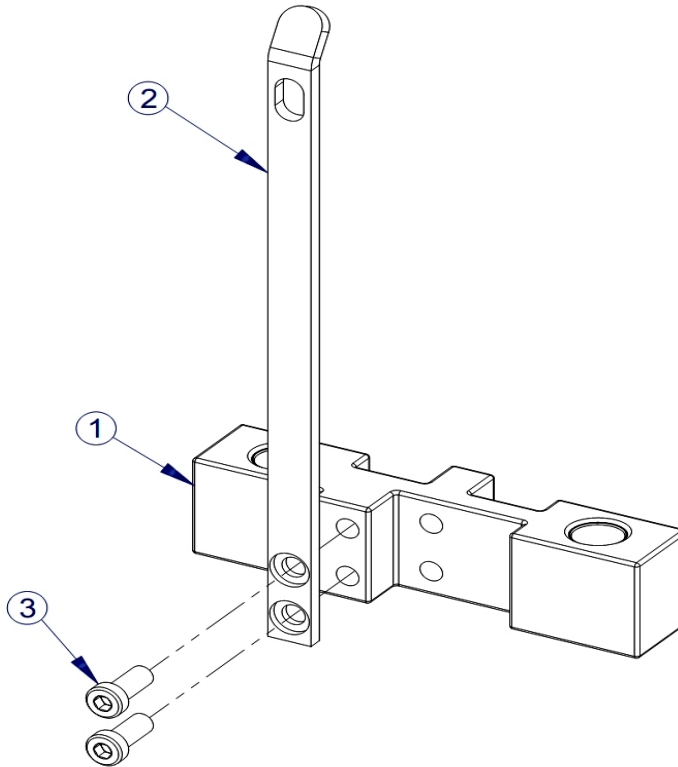


Ref #	Part Number	Qty	Description
1	7968501	1	Assembly FZ Inc Weight 5LB
2	7328101	1	Bracket Increment Weight-10LB
3	3236202	2	Hardware: Screw 25MM

** Upholstery and Frame Colors are list at the end of the Parts Manual **

** Shroud Options are list at the end of the Parts Manual **

15Lb Increment Weight Assembly

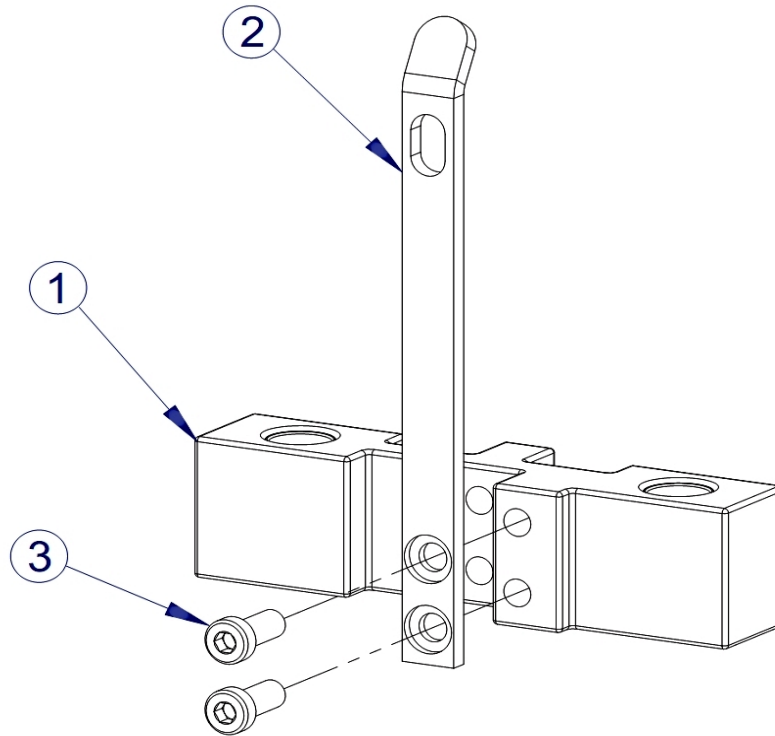


Ref #	Part Number	Qty	Description
1	7968501	1	Assembly FZ Inc Weight 5LB
2	7328201	1	Bracket Increment Weight-15LB
3	3236202	2	Hardware: Screw 25MM

** Upholstery and Frame Colors are list at the end of the Parts Manual **

** Shroud Options are list at the end of the Parts Manual **

5Lb Increment Weight Assembly



Ref #	Part Number	Qty	Description
1	7968501	1	Assembly FZ Inc Weight 5LB
2	7328001	1	Bracket Increment Weight-5LB
3	3236202	2	Hardware: Screw 25MM

** Upholstery and Frame Colors are list at the end of the Parts Manual **

** Shroud Options are list at the end of the Parts Manual **

Frame and Upholstery Color Chart

Frame Colors



Note: Include frame color in order notes when ordering frame assemblies or weldments.

Upholstery Colors



Replace '99' with the above color suffix when ordering pads (i.e. 7412399 = 7412301 BLACK)

Shroud Options Chart

STANDARD
SHROUD NO WRAP



TRANSLUCENT



OPTIONAL StackWraps™

SHROUD + WRAP

BAMBOO



BRONZE



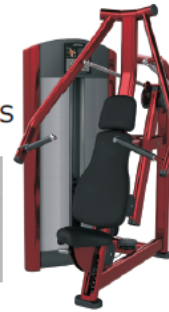
ROSEWOOD



SKY



STAINLESS STEEL



STEM



CO-BRANDED StackWraps™

SHROUD + WRAP

(refer to co-branded parts list)



PLANET FITNESS



BLINK FITNESS



RETRO FITNESS