

# Signature Series Single - Seated Leg Curl

FZSLC

## Parts Manual

1/5/2019 13:49:39 PM



**Table of Contents**

---

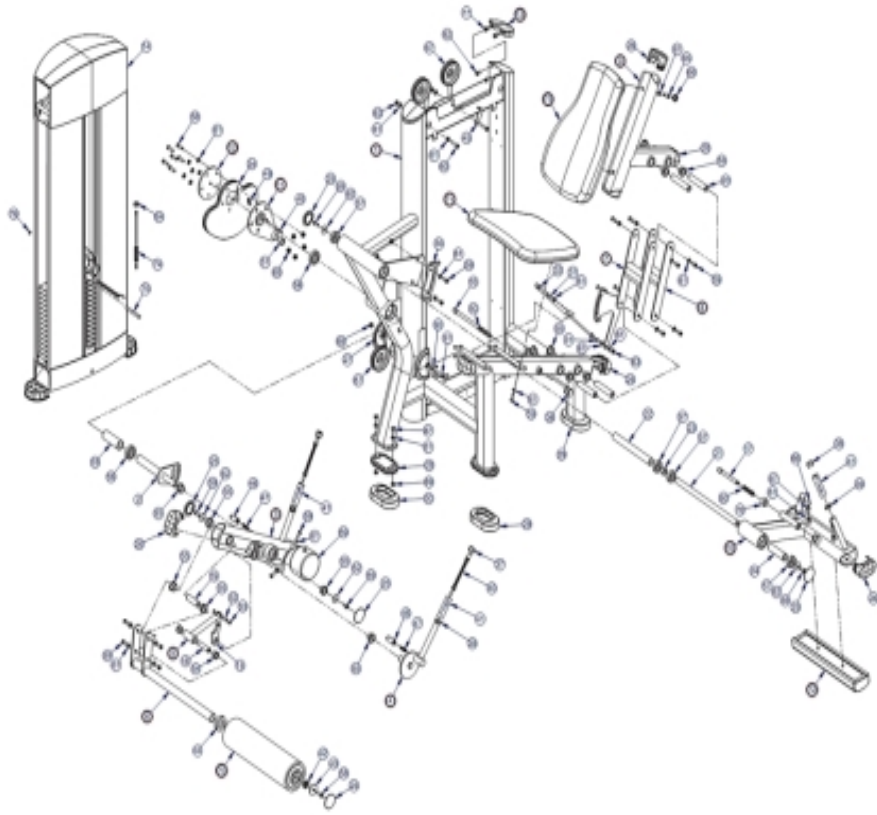
<a href="#">Component Assembly</a> .....	3
<a href="#">Head Plate Assembly</a> .....	7
<a href="#">MID-14 Tower Assembly</a> .....	9
<a href="#">MID-14 Weight Stack Assembly</a> .....	10
<a href="#">Optional Light MID-14 Weight Stack Assembly</a> .....	11
<a href="#">Optional 2.5Lb Increment Weight Assembly</a> .....	12
<a href="#">Optional 5Lb Increment Weight Assembly</a> .....	13
<a href="#">Optional 7.5Lb Increment Weight Assembly</a> .....	14
<a href="#">Plastic Tower Assembly</a> .....	15
<a href="#">Stackwraps Shroud</a> .....	16
<a href="#">10Lb Increment Weight Assembly</a> .....	17
<a href="#">15Lb Increment Weight Assembly</a> .....	18
<a href="#">5Lb Increment Weight Assembly</a> .....	19

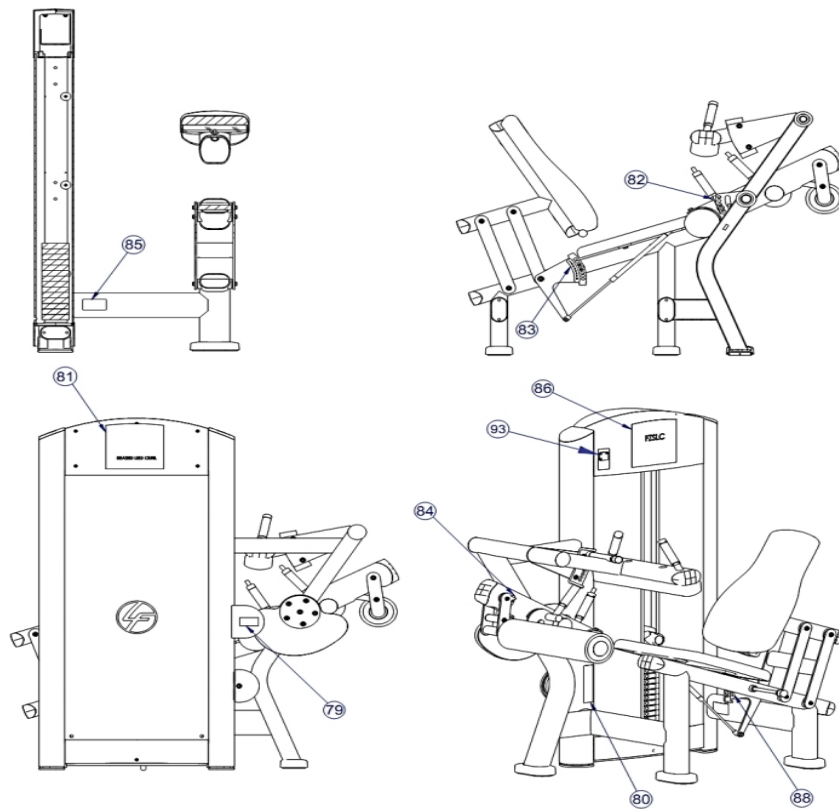
\*\* Upholstery & Frame Colors are listed at the end of the Parts Manual \*\*

\*\* Shroud Options are listed at the end of the Parts Manual \*\*

## Component Assembly

---





Ref #	Part Number	Qty	Description
2	7774899	1	Weldment, FZSLC/BE Adj Start Custom
3	7482499	1	Weldment, FZSLC, Pivot Arm Custom
4	7482599	1	Weldment, FZSLC, Tibia Adj Handle Custom
5	7324599	1	Weldment, FZLE, Tibia Adj Link Custom
6	7321999	1	Weldment, FZLE/SLC, Roller Pad Support Custom
7	7411199	1	Weldment, FZ 4-Bar Index Custom
8	7411099	1	Weldment, FZ 4-Bar Custom
9	7410999	1	Weldment, FZ Back Pad Support Custom
10	7482999	1	Weldment, FZSLC Thigh Support Custom
11	7483099	1	Weldment, FZSLC, Cam Support Custom
12	7329199	1	Plate, FZ, Cam Cover Custom
13	7326299	2	Cap, D-Tube-Top Custom
15	7329601	1	Tibia Link Plate
16	7425101	1	Pull Pin
17	7425102	1	Pull Pin 6.750
18	7324801	1	Shaft Tapped 0.75" D 3.33" L
19	7324901	1	Shaft Tapped 1" D 3.33"
20	7324902	4	Shaft Tapped 1" D 5.33"
21	7316505	1	Shaft 25MM D 19.5" L
22	7330007	1	Spacer Internal X 11.765
23	7330002	1	Spacer Internal 0.653" L
24	7330004	1	Spacer Internal 4.765" L
25	7308701	5	Cap Bearing Housing
26	7333901	8	End Cap FLOV Large
27	8094101	2	Pulley Cover Partial
28	7334001	3	Foot 2.50 X 4.49 Flov 10-0074-046 BNR
29	7340201	2	Cover Foot - Straight
30	7419601	1	Foot Cover - 20 Degrees
31	7414301	2	Stud M10 Ball End M10 X 1.5

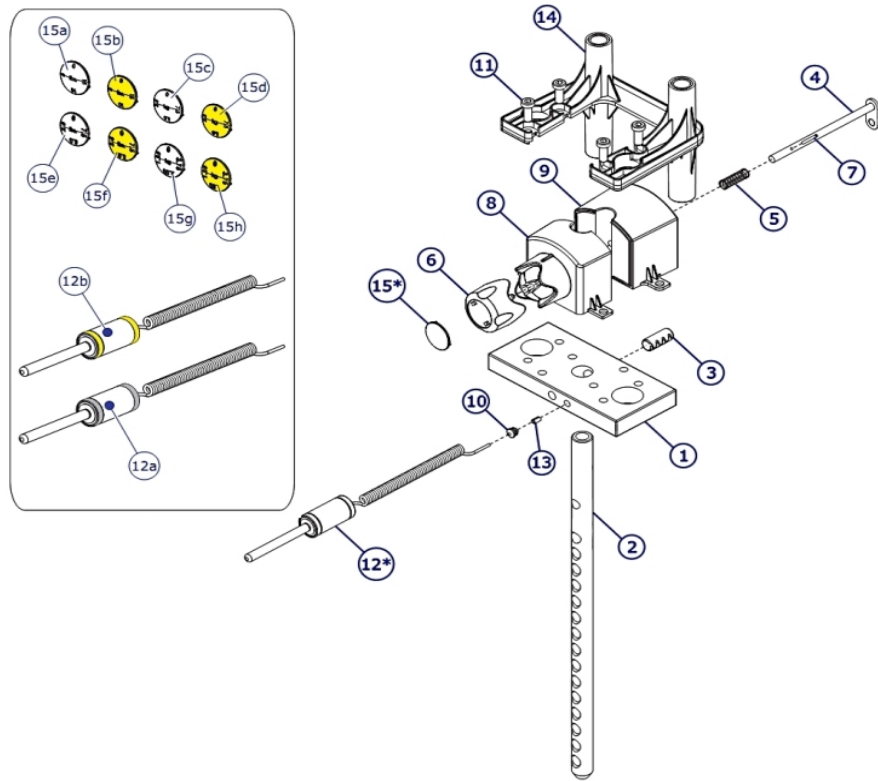
Ref #	Part Number	Qty	Description
32	3235701	1	Gas Spring
33	7511504	1	Spacer FZ/PS Internal
34	7476001	1	Cam FZSLC
35	7658101	1	Plate
36	7424803	2	KNOB TULIP STYLE
36	7424801	2	Pop Pin Knob
37	7663001	2	Grip Cap
38	7662901	2	Grip Cap
39	7662801	4	Grip Ring 1.25"
40	7780103	2	Push Pin Rod
40	7780101	2	Rod Push Pin
41	3235801	4	Grip - 1.25" OD
42	7347301	1	Hardware: Nut 10 MM ID
43	7322301	1	Plate 1.97 OD X .447 ID 10 GA
44	7357901	1	Shaft Collar
45	6757701	1	Cable Clip
46	8032401	2	Push Pin
47	8024501	2	Spring
48	7511601	1	Key .375 Square X 1.25
49	7342201	1	Plate Cable End
50	7351501	2	Pull Pin Spring
51	7690101	1	Bumper Sleeve- 1.000 ID
52	7331702	1	Pivot Shaft
53	3232409	2	Retaining Ring .468" D
54	3104901	2	Bearing 3/4" ID 1" OD
55	3104903	14	Bearing 1" ID 1.25" OD
56	3243201	2	Ball Bearing
57	3235601	4	Ball Bearing
58	3236204	7	Hardware: Screw 35MM
59	3236202	23	Hardware: Screw 25MM
60	3236206	2	Hardware: Screw 45MM
61	3273303	41	Hardware: WasherR, 3/8, THRU-HARDENED
62	3236701	4	Fender Washer 3/8"
63	3236801	3	Hardware: Nut 10 MM ID
64	3236902	1	Hardware: Nut 16 MM ID
65	3251203	2	Hardware: Screw 30MM
66	3237403	4	Plug 1" Hole
67	3237801	3	Pulley 4.5" OD
68	7335401	8	Hardware: Nut 10 MM ID
69	7801901	1	Small Counter Weight-Coated
70	7392899	1	ASSY, ROLLER PAD LONG Custom
71	7401599	1	PAD, SEAT LE/SLC Custom
72	7470799	1	PAD, KNEE Custom
73	7474199	1	ASSY, LARGE BACK PAD Custom
74	7423711	1	Cable FZSLC 116-5/8"
75	7564501	1	Pin FZ/PS Weight Plate
76	3243901	1	Ring11 MM
77	3238601	4	Blind Thread Insert - 1.5"
78	7690201	1	Bumper Sleeve
79	8039501	1	Label Warning Triangle 10-0099-067 BNR
80	7422004	1	Label 2" ASTM Warning
81	7508401	1	Label FZSLC Logo
82	7589901	1	Label 3--1 Straight
83	7524101	1	Label 1-8 Curved Outside
84	7524201	1	Label S-XL Curved
85	7571301	1	Label Serial Number
86	7508301	1	Label FZSLC Placard English

Ref #	Part Number	Qty	Description
86	7508304	1	LABEL, FZSLC PLACARD SPN
86	7508305	1	Label, FZSLC Placard Italian
86	7508309	1	LABEL, FZSLC PLACARD SWE
86	7508306	1	LABEL, FZSLC PLACARD DUT
86	7508302	1	Label, FZSLC Placard German
86	7508308	1	LABEL, FZSLC PLACARD POR
86	7508303	1	Label, FZSLC Placard French
86	7508310	1	Label, FZSLC Placard Russian
86	7508307	1	Label, FZSLC Placard Japanese
87	3251202	8	Hardware: Screw 25MM
88	7794301	1	Label 1-8 Curved Inside
89	3254703	6	Hardware: Nut 10 MM ID
90	7630101	1	Retainer CM/MJ Pulley
91	3236207	1	Hardware: Screw 50MM
92	3236201	4	Hardware: Screw 20MM
93	9311301	1	LABEL, FZSLC, NFC-QR TAG

\*\* Upholstery and Frame Colors are list at the end of the Parts Manual \*\*

\*\* Shroud Options are list at the end of the Parts Manual \*\*

# Head Plate Assembly



Ref #	Part Number	Qty	Description
1	7326701	1	Head Plate
2	7328901	1	Stem 14 Plate
3	3236001	1	SpringPin Bushing
4	7327201	1	Increment Weight Pin
5	8024501	1	Spring
6	7326101	1	Incremental Weight Selector Knob
7	3110008	1	Roll Pin 1/8" D 1-1/4" L
8	7326401	1	Selector Housing - Front
9	7326501	1	Selector Housing - Rear
10	7356501	1	Plug Lanyard Attachment
11	3236202	4	Hardware: Screw 25MM
12B	7338103	1	Weight Stack Selector Pin
12A	7338101	1	Weight Stack Selector Pin
13	7523601	1	Crimp Cable
14	8867301	1	Assembly FZ Stabilizer with Bushings
15F	8865803	1	FZ Selector Knob Cap - 2.5 LBS Yellow
15H	8946503	1	CAP, FZ SELECTOR KNOB - 1.25 KG, YELLOW
15B	7398603	1	Selector Knob Cap - 5 LBS Yellow
15A	7398601	1	Selector Knob Cap - 5 LBS Silver
15E	8865801	1	FZ Selector Knob Cap - 2.5 LBS Silver
15C	7398701	1	Selector Knob Cap - 2.5 KG Silver
15G	8946501	1	CAP, FZ SELECTOR KNOB - 1.25 KG, SILVER

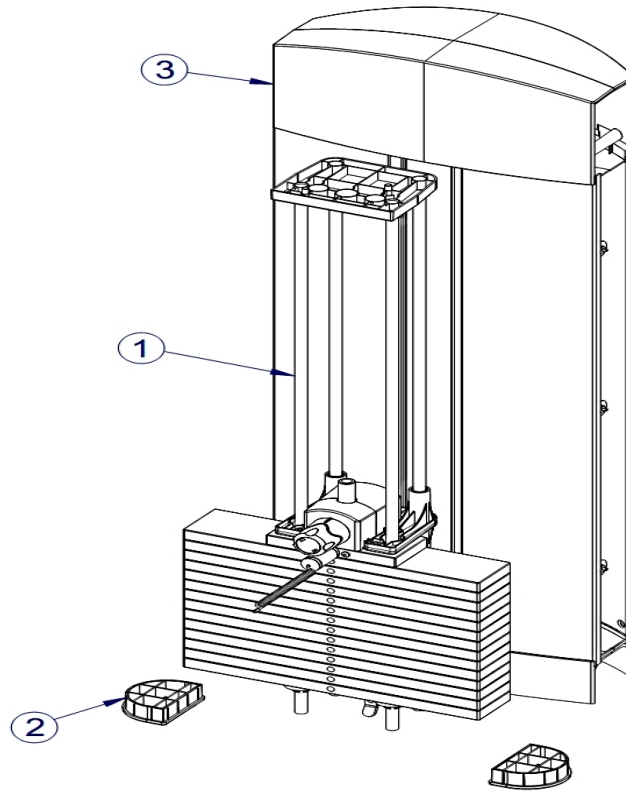
<b>Ref #</b>	<b>Part Number</b>	<b>Qty</b>	<b>Description</b>
15D	7398703	1	Selector Knob Cap - 2.5 KG Yellow

\*\* Upholstery and Frame Colors are list at the end of the Parts Manual \*\*

\*\* Shroud Options are list at the end of the Parts Manual \*\*

## MID-14 Tower Assembly

---



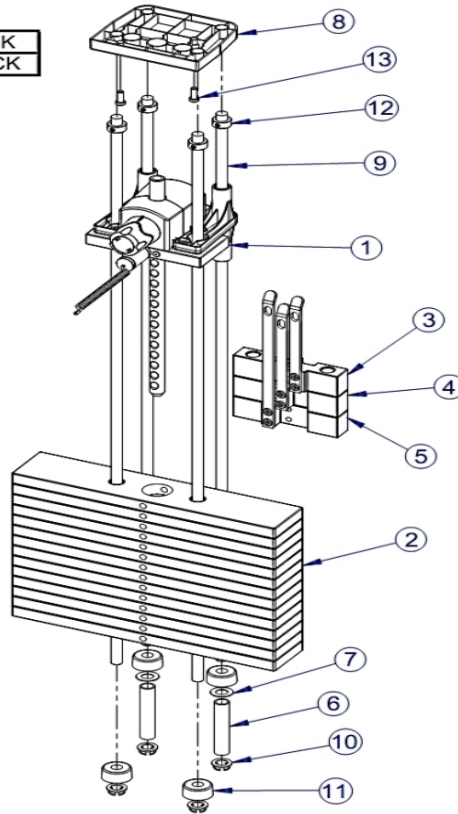
Ref #	Part Number	Qty	Description
2	7326301	2	Cap D-Tube-Bottom

\*\* Upholstery and Frame Colors are list at the end of the Parts Manual \*\*

\*\* Shroud Options are list at the end of the Parts Manual \*\*

# MID-14 Weight Stack Assembly

WEIGHT STACK LABELS	
7927201	LABEL, 390 LB STACK
7927301	LABEL, 195 KG STACK



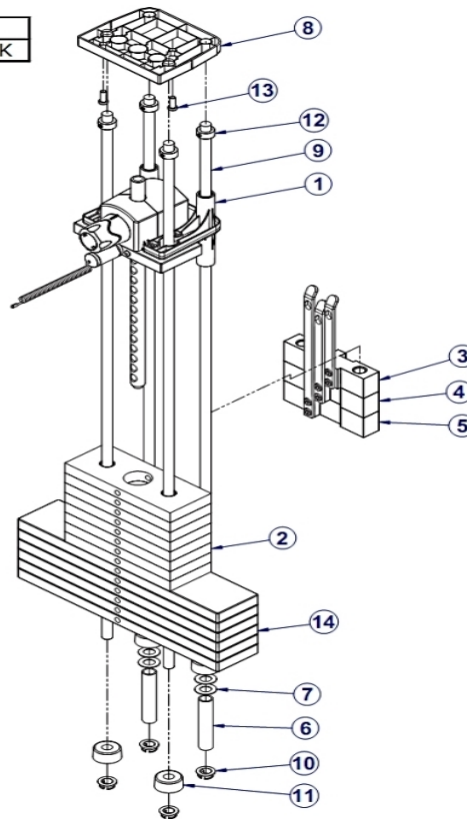
Ref #	Part Number	Qty	Description
1	7350701	1	Assembly Head Plate (14)
2	7328401	14	Weight Plate 20 LB
3	7327601	1	Assembly Increment Weight-5LB
4	7327701	1	Assembly Increment Weight-10LB
5	7327801	1	Assembly Increment Weight-15LB
6	7328701	2	Spacer Inc Weight Stack 14 Plate
7	7351001	2	Spacer Increment Weight Stack
8	7621101	1	Guide Rod Retainer Top
9	7328602	4	Guide Rod .75" OD 53.50" L
10	7337901	4	Bushing Guide Rod
11	7352101	4	Cushion Weight Stack
12	3103301	4	Shaft Collar 3/4" ID Zinc
13	3236202	2	Hardware: Screw 25MM
-	7927201	1	Label 390 LB Stack
-	7927301	1	Label 195 KG Stack

\*\* Upholstery and Frame Colors are list at the end of the Parts Manual \*\*

\*\* Shroud Options are list at the end of the Parts Manual \*\*

# Optional Light MID-14 Weight Stack Assembly

WEIGHT STACK LABELS  
8867001 LABEL, 310 LB STACK

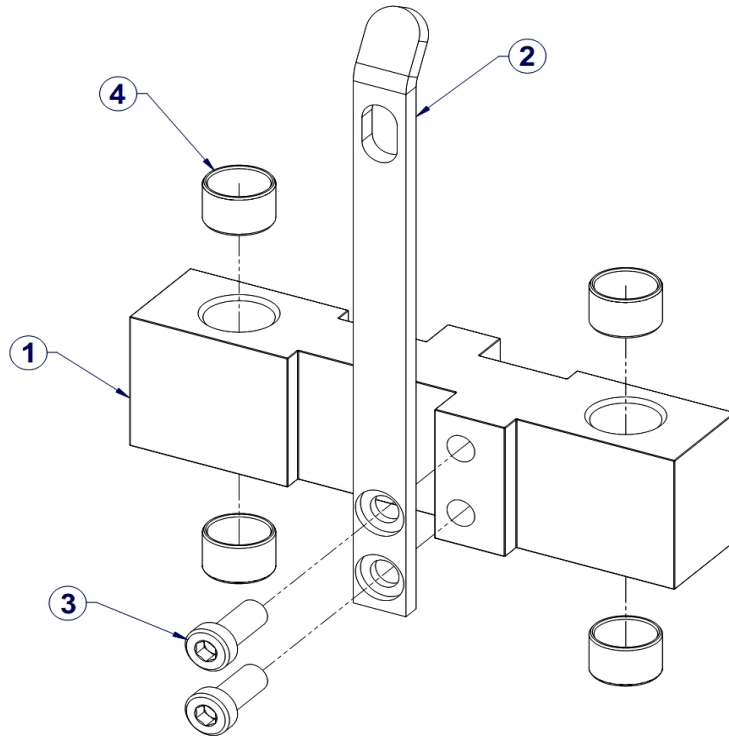


Ref #	Part Number	Qty	Description
1	7350701	1	Assembly Head Plate (14)
2	7353701	8	Weight Plate 10 LB
3	8861301	1	Assembly FZ Inc Weight - 2.5 LB
4	8861401	1	Assembly FZ Inc Weight - 5 LB
5	8861501	1	Assembly FZ Inc Weight - 7.5 LB
6	7328701	2	Spacer Inc Weight Stack 14 Plate
7	7351001	4	Spacer Increment Weight Stack
8	7621101	1	Guide Rod Retainer Top
9	7328602	4	Guide Rod .75" OD 53.50" L
10	7337901	4	Bushing Guide Rod
11	7352101	4	Cushion Weight Stack
12	3103301	4	Shaft Collar 3/4" ID Zinc
13	3236202	2	Hardware: Screw 25MM
14	7328401	6	Weight Plate 20 LB
-	8867101	1	Label 190 LB Stack

\*\* Upholstery and Frame Colors are list at the end of the Parts Manual \*\*

\*\* Shroud Options are list at the end of the Parts Manual \*\*

## Optional 2.5Lb Increment Weight Assembly

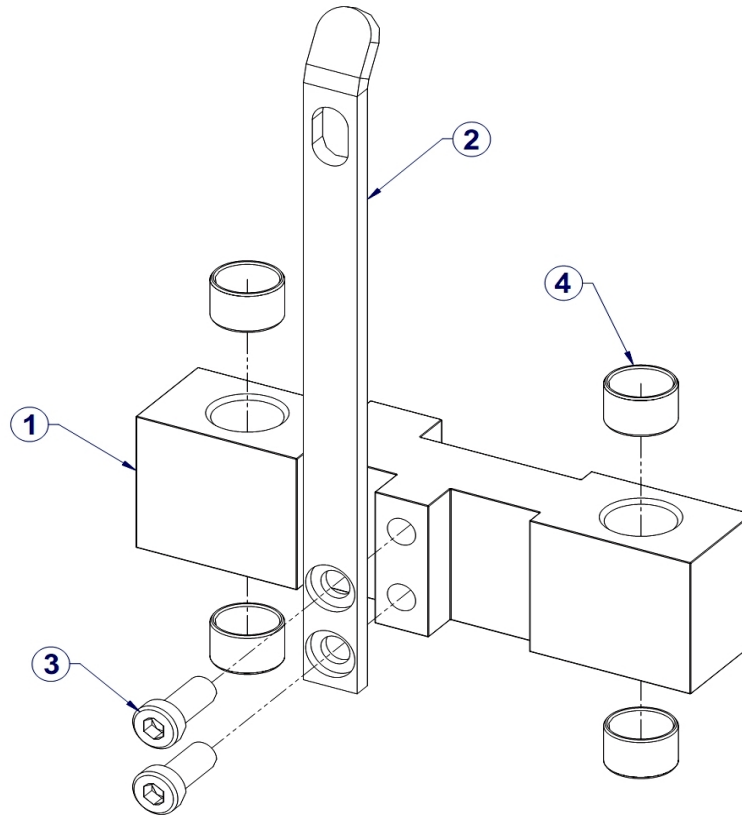


Ref #	Part Number	Qty	Description
1	8861295	1	Increment Weight
2	7328001	1	Bracket Increment Weight-5LB
3	3236202	2	Hardware: Screw 25MM
4	3202501	4	Bearing Sleeve

\*\* Upholstery and Frame Colors are list at the end of the Parts Manual \*\*

\*\* Shroud Options are list at the end of the Parts Manual \*\*

## Optional 5Lb Increment Weight Assembly

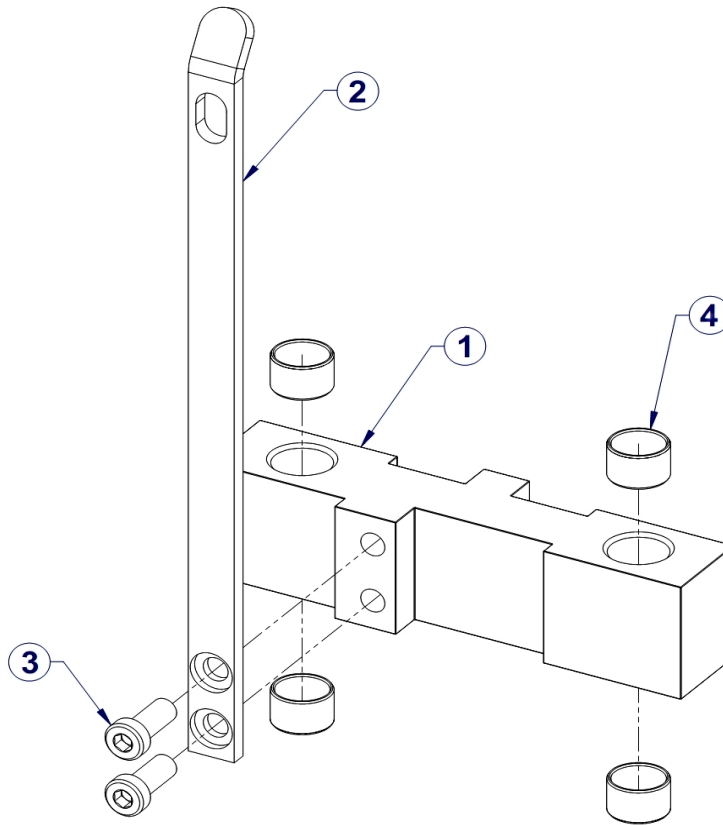


Ref #	Part Number	Qty	Description
1	8861295	1	Increment Weight
2	7328101	1	Bracket Increment Weight-10LB
3	3236202	2	Hardware: Screw 25MM
4	3202501	4	Bearing Sleeve

\*\* Upholstery and Frame Colors are list at the end of the Parts Manual \*\*

\*\* Shroud Options are list at the end of the Parts Manual \*\*

## Optional 7.5Lb Increment Weight Assembly

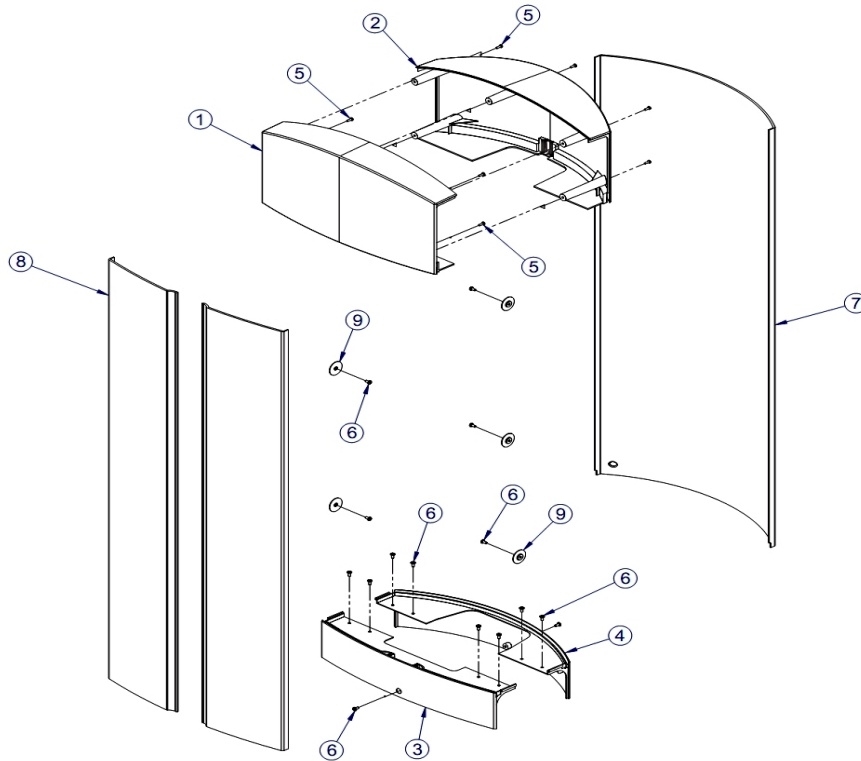


Ref #	Part Number	Qty	Description
1	8861295	1	Increment Weight
2	7328201	1	Bracket Increment Weight-15LB
3	3236202	2	Hardware: Screw 25MM
4	3202501	4	Bearing Sleeve

\*\* Upholstery and Frame Colors are list at the end of the Parts Manual \*\*

\*\* Shroud Options are list at the end of the Parts Manual \*\*

# Plastic Tower Assembly

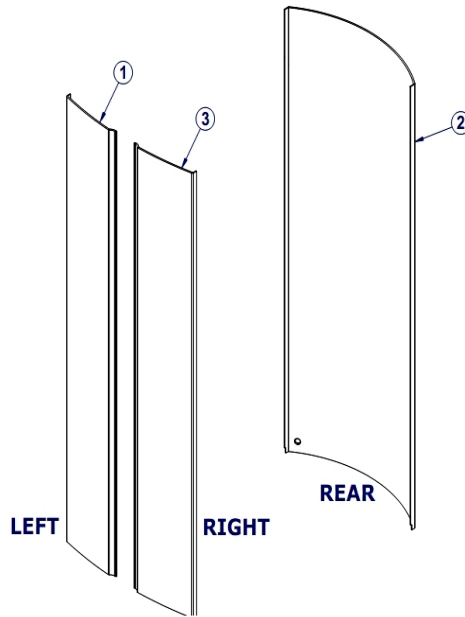


Ref #	Part Number	Qty	Description
1	7318601	1	Cover Tower-Top Front
2	7318701	1	Cover Tower - Top Rear
3	7318801	1	Cover Tower-Bottom Front
4	7318901	1	Cover Tower-Bottom Rear
5	3236501	9	Hardware: Nut 0.7" ID
6	3239101	16	Hardware: Phillips Pan Screw
7	7765701	1	Tower Shroud-Rear Short
8	7765601	2	Tower Shroud-Front Short
9	7583501	6	Retainer FZ Shroud

\*\* Upholstery and Frame Colors are list at the end of the Parts Manual \*\*

\*\* Shroud Options are list at the end of the Parts Manual \*\*

# Stackwraps Shroud



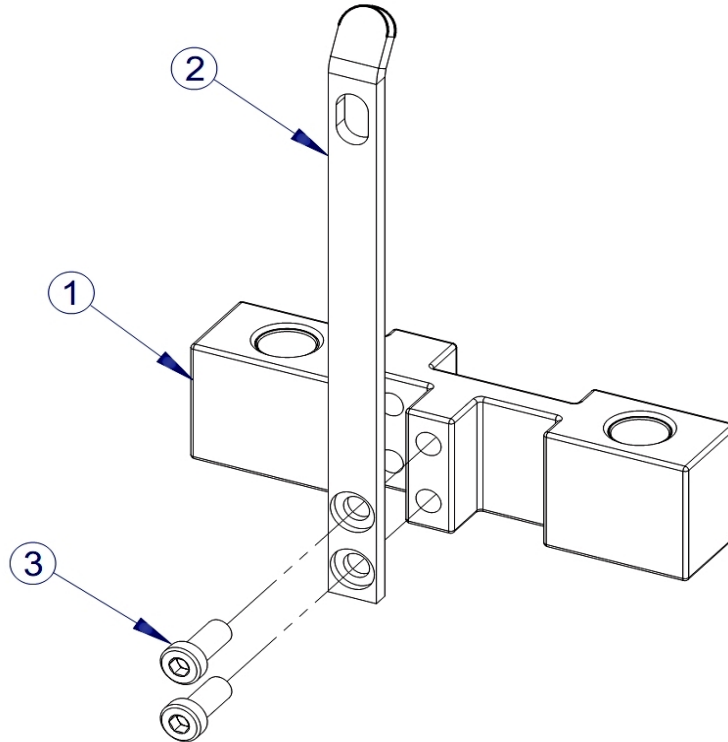
Ref #	Part Number	Qty	Description
1	8954501	1	Shroud FZ Front Short Left -Stem
1	8954601	1	Shroud FZ Front Short Left -Rosewood
1	8954701	1	Shroud FZ Front Short Left -Stainless Steel
1	8954201	1	Shroud FZ Front Short Left -Bamboo
1	8954301	1	Shroud FZ Front Short Left -Sky
1	8954401	1	Shroud FZ Front Left - Bronze
2	8949101	1	Shroud FZ Rear Short -Bamboo
2	8950101	1	Shroud FZ Rear Short -Stainless Steel
2	8949901	1	Shroud FZ Rear Short -Rosewood
2	8949701	1	Shroud FZ Rear Short -Stem
2	8949301	1	Shroud FZ Rear Short -Sky
2	8949501	1	Shroud FZ Rear -Bronze
3	8950001	1	Shroud FZ Front Short Right-Stainless Steel
3	8949201	1	Shroud FZ Front Short Right -Sky
3	8949401	1	Shroud FZ Front Short Right -Bronze
3	8949801	1	Shroud FZ Front Short Right -Rosewood
3	8949001	1	Shroud FZ Front Short Right -Bamboo
3	8949601	1	Shroud FZ Front Short Right -Stem

\*\* Upholstery and Frame Colors are list at the end of the Parts Manual \*\*

\*\* Shroud Options are list at the end of the Parts Manual \*\*

# 10Lb Increment Weight Assembly

---



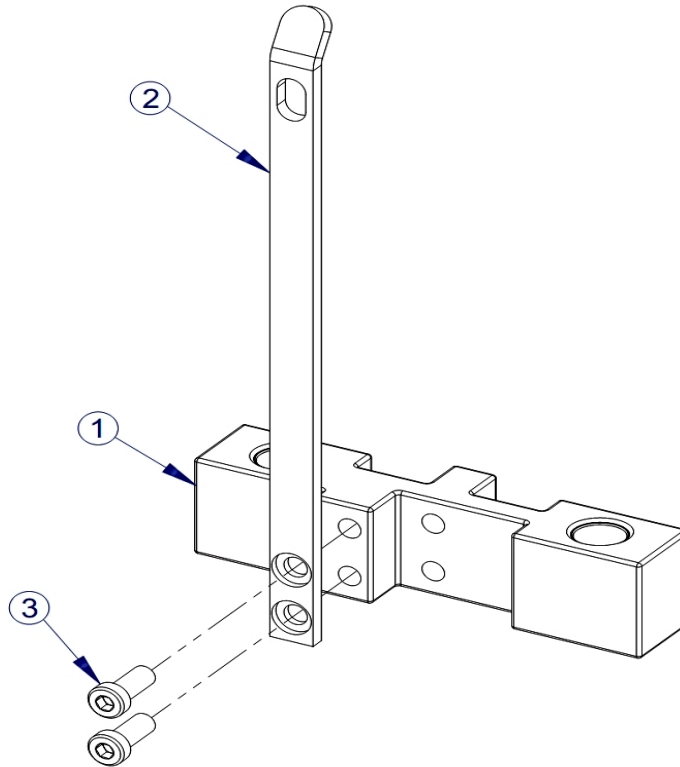
Ref #	Part Number	Qty	Description
1	7968501	1	Assembly FZ Inc Weight 5LB
2	7328101	1	Bracket Increment Weight-10LB
3	3236202	2	Hardware: Screw 25MM

\*\* Upholstery and Frame Colors are list at the end of the Parts Manual \*\*

\*\* Shroud Options are list at the end of the Parts Manual \*\*

# 15Lb Increment Weight Assembly

---



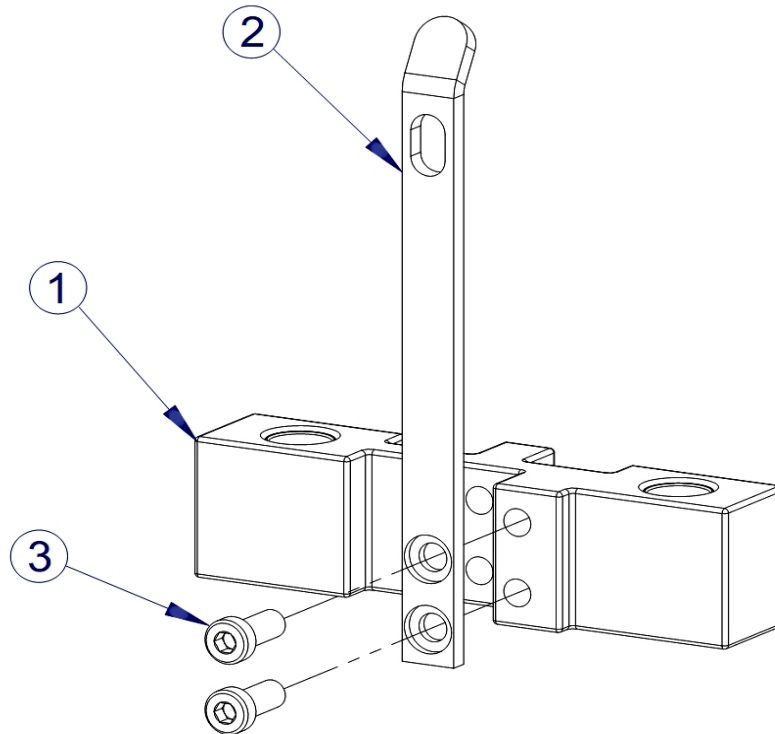
Ref #	Part Number	Qty	Description
1	7968501	1	Assembly FZ Inc Weight 5LB
2	7328201	1	Bracket Increment Weight-15LB
3	3236202	2	Hardware: Screw 25MM

\*\* Upholstery and Frame Colors are list at the end of the Parts Manual \*\*

\*\* Shroud Options are list at the end of the Parts Manual \*\*

## 5Lb Increment Weight Assembly

---



Ref #	Part Number	Qty	Description
1	7968501	1	Assembly FZ Inc Weight 5LB
2	7328001	1	Bracket Increment Weight-5LB
3	3236202	2	Hardware: Screw 25MM

\*\* Upholstery and Frame Colors are list at the end of the Parts Manual \*\*

\*\* Shroud Options are list at the end of the Parts Manual \*\*

# Frame and Upholstery Color Chart

## Frame Colors



Note: Include frame color in order notes when ordering frame assemblies or weldments.

## Upholstery Colors



Replace '99' with the above color suffix when ordering pads (i.e. 7412399 = 7412301 BLACK)

### Shroud Options Chart

---

#### STANDARD SHROUD NO WRAP



TRANSLUCENT



#### OPTIONAL StackWraps™

SHROUD + WRAP

BAMBOO



BRONZE



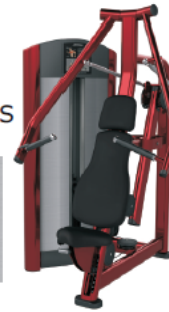
ROSEWOOD



SKY



STAINLESS  
STEEL



STEM



#### CO-BRANDED StackWraps™

SHROUD + WRAP

(refer to co-branded parts list)



PLANET FITNESS

blink FITNESS



BLINK FITNESS

Retro Fitness



RETRO FITNESS