

Signature Series Single - Seated Leg Press

FZSLP

Parts Manual

1/5/2019 13:49:39 PM



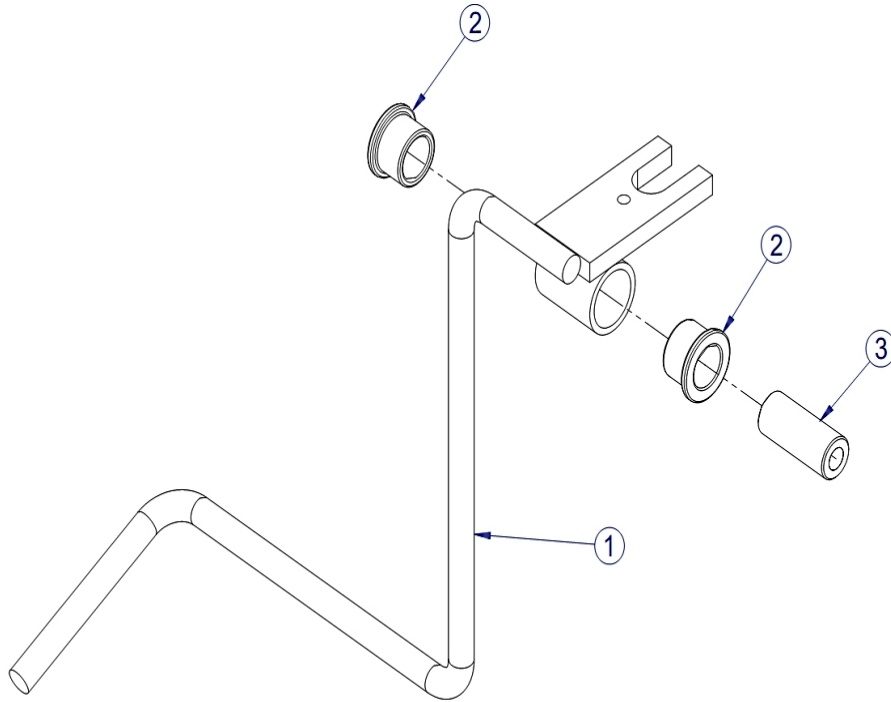
Table of Contents

Adjuster Handle Assembly.....	3
Component Assembly.....	4
Head Plate Assembly.....	8
HIGH-19 Tower Assembly.....	10
HIGH-19 Weight Stack Assembly.....	11
Lower Cam Assembly.....	12
Optional HIGH Light-14 Weight Stack Assembly.....	13
Optional 2.5Lb Increment Weight Assembly.....	14
Optional 5Lb Increment Weight Assembly.....	15
Optional 7.5Lb Increment Weight Assembly.....	16
Seat Adjustment Assembly.....	17
Stackwraps Shroud.....	18
Standard Plastic Tower Assembly.....	19
10Lb Increment Weight Assembly.....	20
15Lb Increment Weight Assembly.....	21
5Lb Increment Weight Assembly.....	22

** Upholstery & Frame Colors are listed at the end of the Parts Manual **

** Shroud Options are listed at the end of the Parts Manual **

Adjuster Handle Assembly

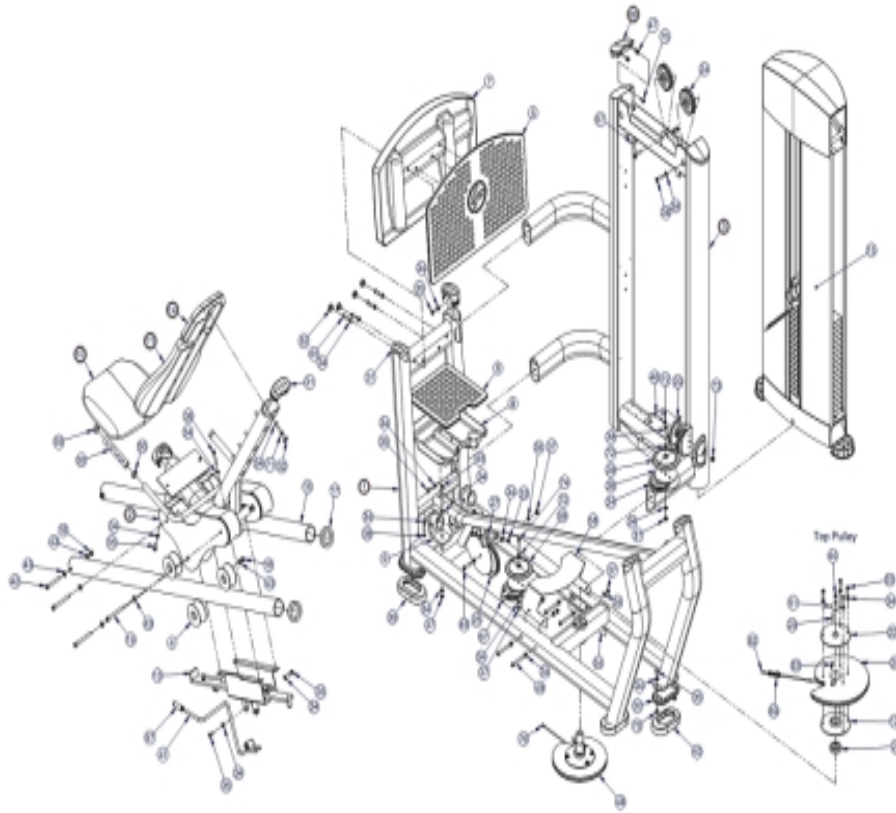


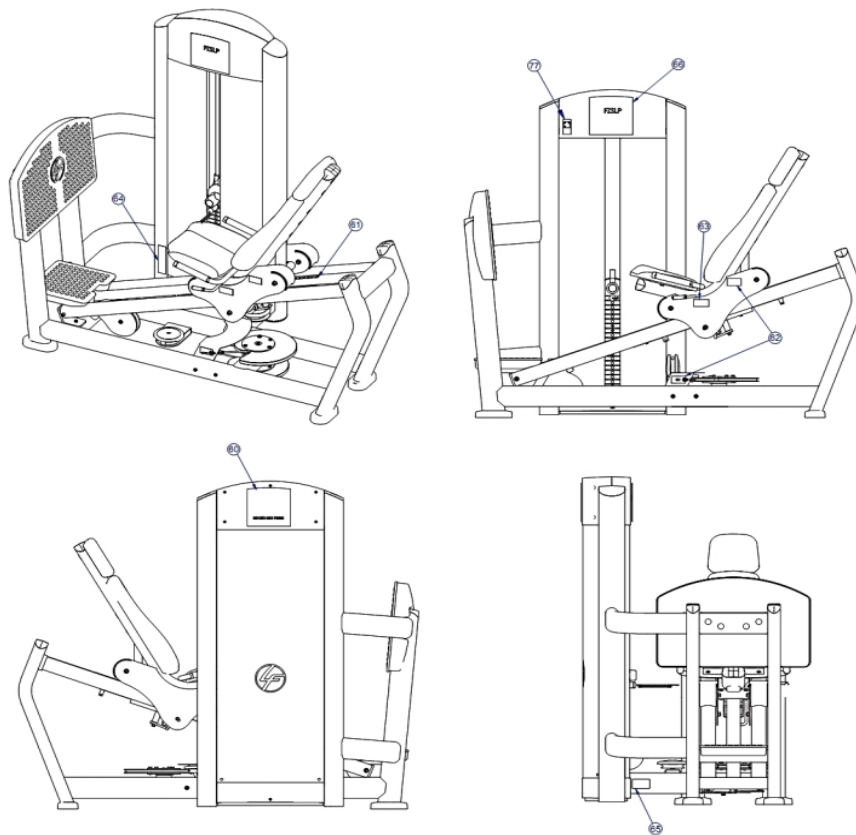
Ref #	Part Number	Qty	Description
1	7412295	1	Weldment FZ/PS-SLP Lever SG
2	3104901	2	Bearing 3/4" ID 1" OD
3	7324802	1	Shaft Tapped 0.75 Diameter X 1.80

** Upholstery and Frame Colors are list at the end of the Parts Manual **

** Shroud Options are list at the end of the Parts Manual **

Component Assembly





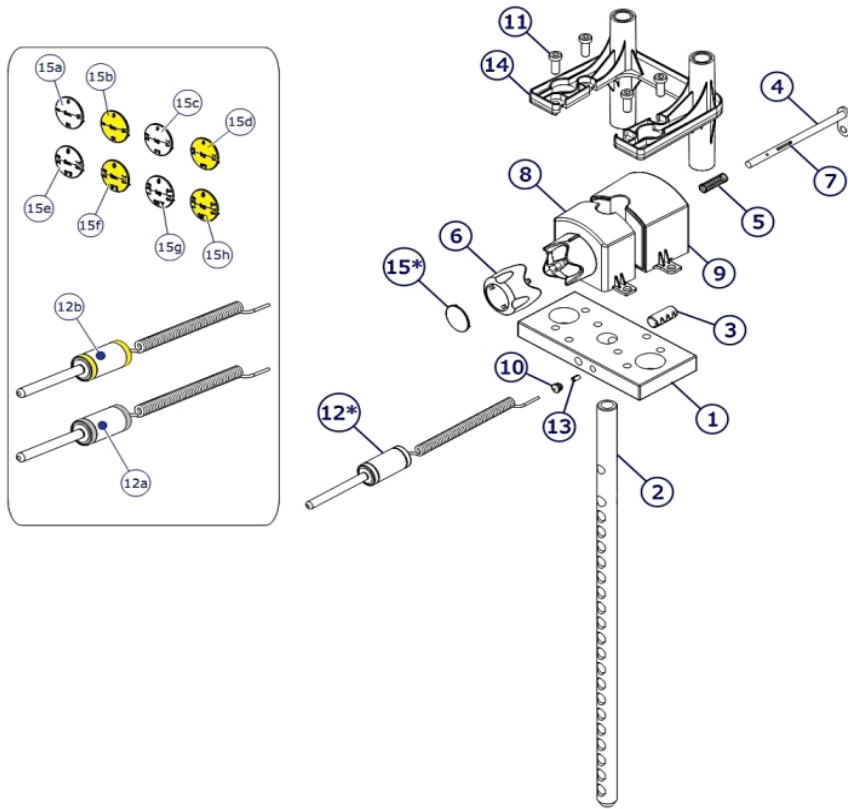
Ref #	Part Number	Qty	Description
2	7408199	1	Weldment, FZSLP- Seat Custom
4	3251501	6	Roller Assembly
5	7429601	1	Foot Plate Overmolded
6	7438301	1	Step Plate Overmolded
7	7429501	1	Cover FZSLP-Foot Plate
8	7438201	1	Cover FZSLP-Step
9	7408895	2	Weldment FZ/PSSlp Rail Brkt Sg
10	7297299	1	PAD, LARGE CHAIR, SNGL STITCH Custom
11	7474199	1	ASSY, LARGE BACK PAD Custom
12	7511395	1	Weldment FZ/PSSlp Hub Sg
13	9064001	1	ASSY, FZ/PS SLP SEAT ADJ
14	7474399	1	ASSY, HEAD REST PAD Custom
16	7961101	2	Tube Rail
17	7444601	2	Bumper Donut
18	3236803	8	Hardware: Nut 12 MM ID
19	3241320	6	Hardware: Screw 120MM
20	7414501	1	Cam FZ/PS-SLP Oblong
21	3243201	1	Ball Bearing
22	7511295	1	Plate FZ/PS-SLP Torque SG
23	7511601	1	Key .375 Square X 1.25
24	3237801	5	Pulley 4.5" OD
25	3239601	1	Pulley - 6"
26	7318201	1	Plate Pulley
27	7352001	1	Bumper
28	8102901	1	Pulley Cover Full
29	8094101	2	Pulley Cover Partial
30	7334001	4	Foot 2.50 X 4.49 Flov 10-0074-046 BNR
31	7333901	6	End Cap FLOV Large
32	3237403	9	Plug 1" Hole

Ref #	Part Number	Qty	Description
33	3236204	6	Hardware: Screw 35MM
34	3273303	55	Hardware: WasherR, 3/8, THRU-HARDENED
35	3251202	14	Hardware: Screw 25MM
36	3236206	2	Hardware: Screw 45MM
37	3236801	12	Hardware: Nut 10 MM ID
38	3236208	7	Hardware: Screw 55MM
39	7340201	2	Cover Foot - Straight
40	7419701	2	Cover Foot 10 Deg
41	7450701	1	Assembly FZ/PS-SLP Seat Handle
42	3241315	2	Hardware: Screw 90MM
43	3241401	16	WASHER FLAT 12MM SS
44	3236202	5	Hardware: Screw 25MM
45,49	3236214	6	Hardware: Screw 85MM
46	3236207	2	Hardware: Screw 50MM
47	3238601	4	Blind Thread Insert - 1.5"
48	7592601	1	Assembly FZSLP Round Cam
50	3235801	2	Grip - 1.25" OD
51	7322301	1	Plate 1.97 OD X .447 ID 10 GA
52	7423709	1	Cable FZSLP-1/FZHAB-1 137-1/4"
53	7342201	1	Plate Cable End
54	8161195	1	Bracket FZ/PSSLP Cable Retainer (SG)
55	7662901	2	Grip Cap
56	7662801	2	Grip Ring 1.25"
57	7681901	1	Remote Handle Shadow Gray
57	7681903	1	Remote Handle Yellow
58	7409895	1	Shield FZ/PS-SLP Cam SG
59	8104501	1	Pulley Cover Notched
60	7508001	1	Label FZSLP Logo
61	9132601	1	LABEL, 1-15 STRAIGHT
62	8039501	2	Label Warning Triangle 10-0099-067 BNR
63	7422001	1	Label Seat Inst
64	7422004	1	Label 2" ASTM Warning
65	7571301	1	Label Serial Number
66	7507910	1	Label, FZSLP Placard Russian
66	7507905	1	Label, FZSLP Placard Italian
66	7507907	1	Label, FZSLP Placard Japanese
66	7507908	1	Label, FZSLP Placard Portuguese
66	7507909	1	LABEL, FZSLP PLACARD SWE
66	7507901	1	Label FZSLP Placard English
66	7507903	1	Label, FZSLP Placard French
66	7507902	1	Label, FZSLP Placard German
66	7507906	1	Label, FZSLP Placard Dutch
66	7507904	1	LABEL, FZSLP PLACARD SPN
67	6757701	2	Cable Clip
68	7326201	2	Cap, D-Tube-Top White
69	3236902	1	Hardware: Nut 16 MM ID
70	3254703	8	Hardware: Nut 10 MM ID
71	3251203	5	Hardware: Screw 30MM
72	7630101	3	Retainer CM/MJ Pulley
73	7335401	1	Hardware: Nut 10 MM ID
74	3236209	1	Hardware: Screw 60MM
75	3236201	4	Hardware: Screw 20MM
76	7423805	1	Cable FZSLP-2 80-1/8"
77	9311401	1	LABEL, FZSLP, NFC-QR TAG

** Upholstery and Frame Colors are list at the end of the Parts Manual **

** Shroud Options are list at the end of the Parts Manual **

Head Plate Assembly



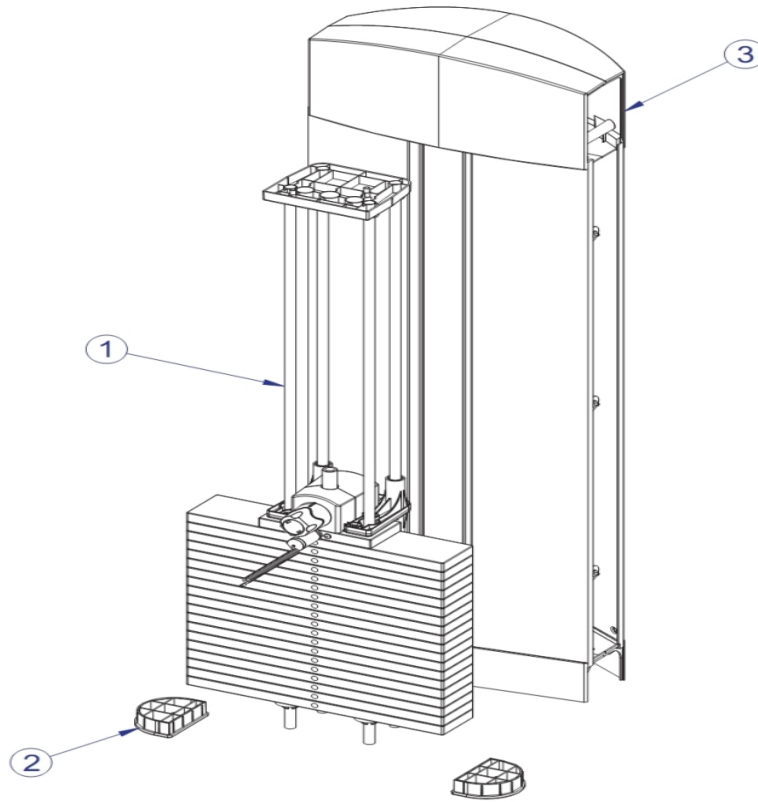
Ref #	Part Number	Qty	Description
1	7326701	1	Head Plate
2	7349501	1	Stem 19 Plate
3	3236001	1	SpringPin Bushing
4	7327201	1	Increment Weight Pin
5	8024501	1	Spring
6	7326101	1	Incremental Weight Selector Knob
7	3110008	1	Roll Pin 1/8" D 1-1/4" L
8	7326401	1	Selector Housing - Front
9	7326501	1	Selector Housing - Rear
10	7356501	1	Plug Lanyard Attachment
11	3236202	4	Hardware: Screw 25MM
12B	7338103	1	Weight Stack Selector Pin
12A	7338101	1	Weight Stack Selector Pin
13	7523601	1	Crimp Cable
14	8867301	1	Assembly FZ Stabilizer with Bushings
15E	8865801	1	FZ Selector Knob Cap - 2.5 LBS Silver
15F	8865803	1	FZ Selector Knob Cap - 2.5 LBS Yellow
15H	8946503	1	CAP, FZ SELECTOR KNOB - 1.25 KG, YELLOW
15A	7398601	1	Selector Knob Cap - 5 LBS Silver
15C	7398701	1	Selector Knob Cap - 2.5 KG Silver
15D	7398703	1	Selector Knob Cap - 2.5 KG Yellow
15B	7398603	1	Selector Knob Cap - 5 LBS Yellow

Ref #	Part Number	Qty	Description
15G	8946501	1	CAP, FZ SELECTOR KNOB - 1.25 KG, SILVER

** Upholstery and Frame Colors are list at the end of the Parts Manual **

** Shroud Options are list at the end of the Parts Manual **

HIGH-19 Tower Assembly



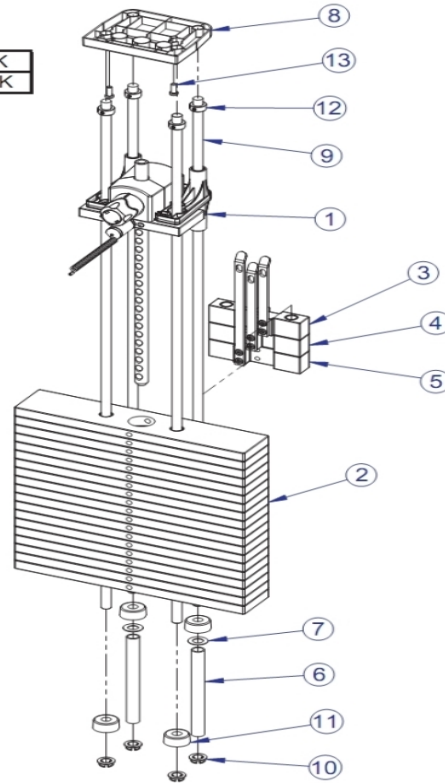
Ref #	Part Number	Qty	Description
2	7326301	2	Cap D-Tube-Bottom

** Upholstery and Frame Colors are list at the end of the Parts Manual **

** Shroud Options are list at the end of the Parts Manual **

HIGH-19 Weight Stack Assembly

WEIGHT STACK LABELS	
7927201	LABEL, 390 LB STACK
7927301	LABEL, 195 KG STACK

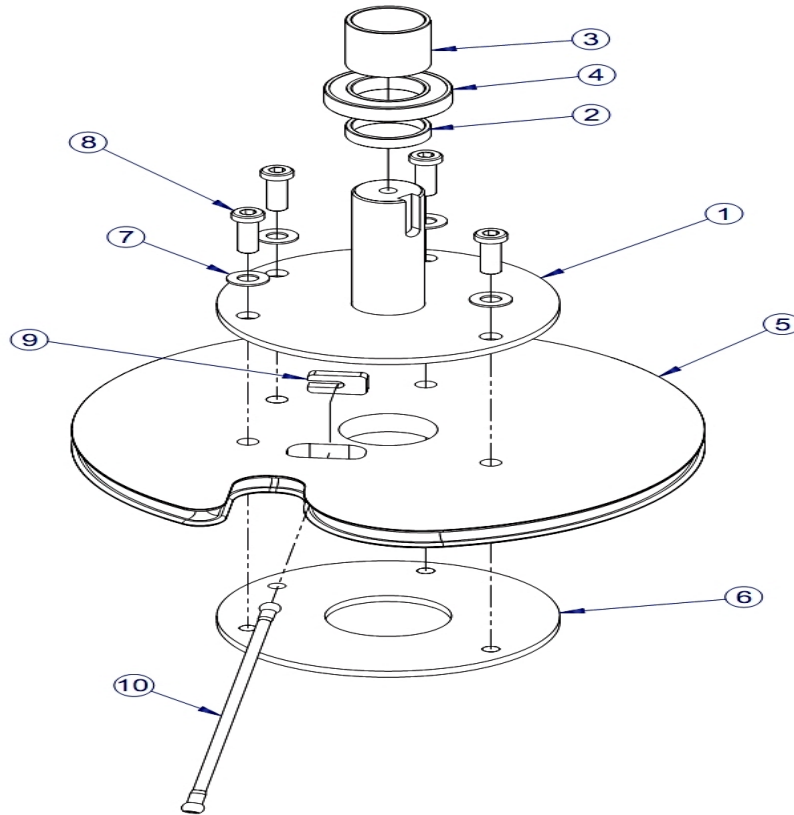


Ref #	Part Number	Qty	Description
1	7350801	1	Assembly Head Plate (19)
2	7328401	19	Weight Plate 20 LB
3	7327601	1	Assembly Increment Weight-5LB
4	7327701	1	Assembly Increment Weight-10LB
5	7327801	1	Assembly Increment Weight-15LB
6	7328702	2	Spacer Inc Weight Stack 19 Plate
7	7351001	2	Spacer Increment Weight Stack
8	7621101	1	Guide Rod Retainer Top
9	7328606	4	Guide Rod .75 OD Solid X 59.63
10	7337901	4	Bushing Guide Rod
11	7352101	4	Cushion Weight Stack
12	3103301	4	Shaft Collar 3/4" ID Zinc
13	3236202	2	Hardware: Screw 25MM
-	7927201	1	Label 390 LB Stack
-	7927301	1	Label 195 KG Stack

** Upholstery and Frame Colors are list at the end of the Parts Manual **

** Shroud Options are list at the end of the Parts Manual **

Lower Cam Assembly

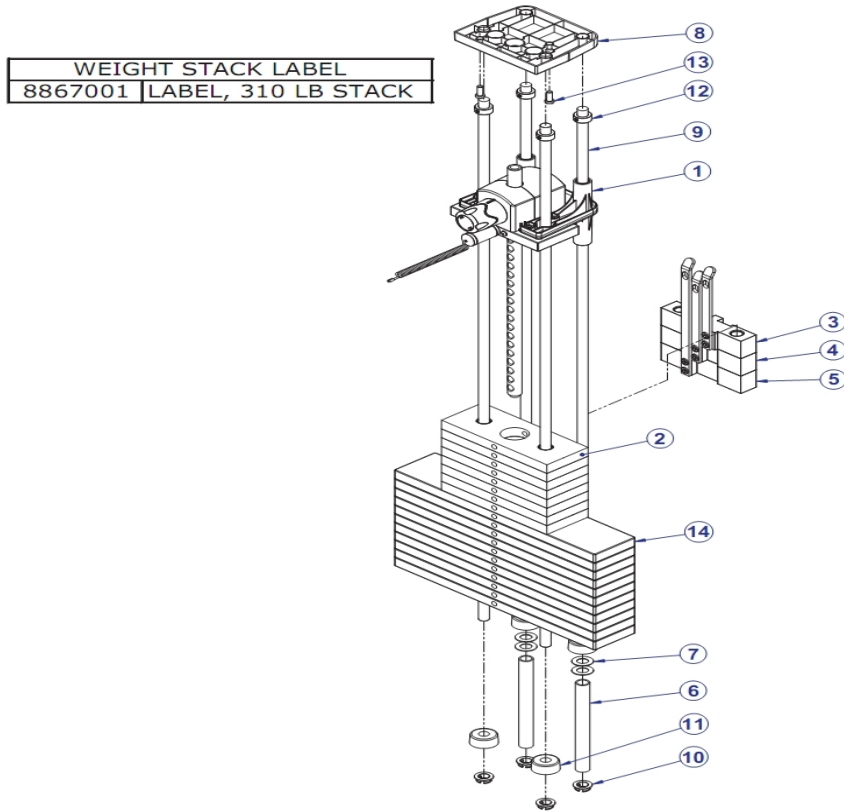


Ref #	Part Number	Qty	Description
1	7511495	1	Weldment FZ/PS-SLP Cam Shaft SG
2	7511501	1	Spacer FZ/PS Internal X .403
3	7511502	1	Spacer FZ/PS INTERNAL 1.845
4	3243201	1	Ball Bearing
5	7414401	1	CAM FZ/PS-SLP RND
6	7511195	1	PLATE FZ/PS-SLP CAM THRD SG
7	3273303	4	Hardware: WasherR, 3/8, THRU-HARDENED
8	3236204	4	Hardware: Screw 35MM
9	7342201	1	Plate Cable End
10	7423805	1	Cable FZSLP-2 80-1/8"

** Upholstery and Frame Colors are list at the end of the Parts Manual **

** Shroud Options are list at the end of the Parts Manual **

Optional HIGH Light-14 Weight Stack Assembly

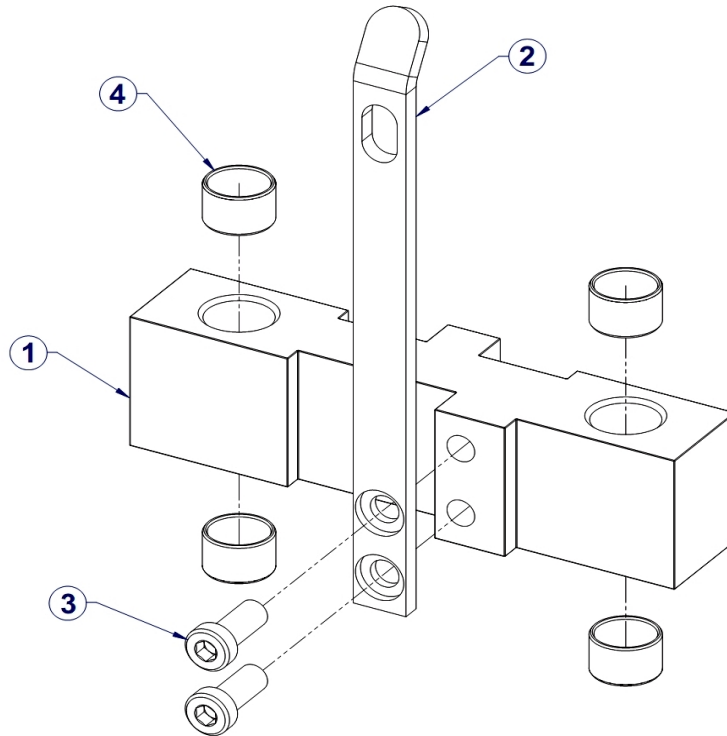


Ref #	Part Number	Qty	Description
1	7350801	1	Assembly Head Plate (19)
2	7353701	8	Weight Plate 10 LB
3	8861301	1	Assembly FZ Inc Weight - 2.5 LB
4	8861401	1	Assembly FZ Inc Weight - 5 LB
5	8861501	1	Assembly FZ Inc Weight - 7.5 LB
6	7328702	2	Spacer Inc Weight Stack 19 Plate
7	7351001	4	Spacer Increment Weight Stack
8	7621101	1	Guide Rod Retainer Top
9	7328606	4	Guide Rod .75 OD Solid X 59.63
10	7337901	4	Bushing Guide Rod
11	7352101	4	Cushion Weight Stack
12	3103301	4	Shaft Collar 3/4" ID Zinc
13	3236202	2	Hardware: Screw 25MM
14	7328401	11	Weight Plate 20 LB
-	8867001	1	Label 310 LB Stack

** Upholstery and Frame Colors are list at the end of the Parts Manual **

** Shroud Options are list at the end of the Parts Manual **

Optional 2.5Lb Increment Weight Assembly

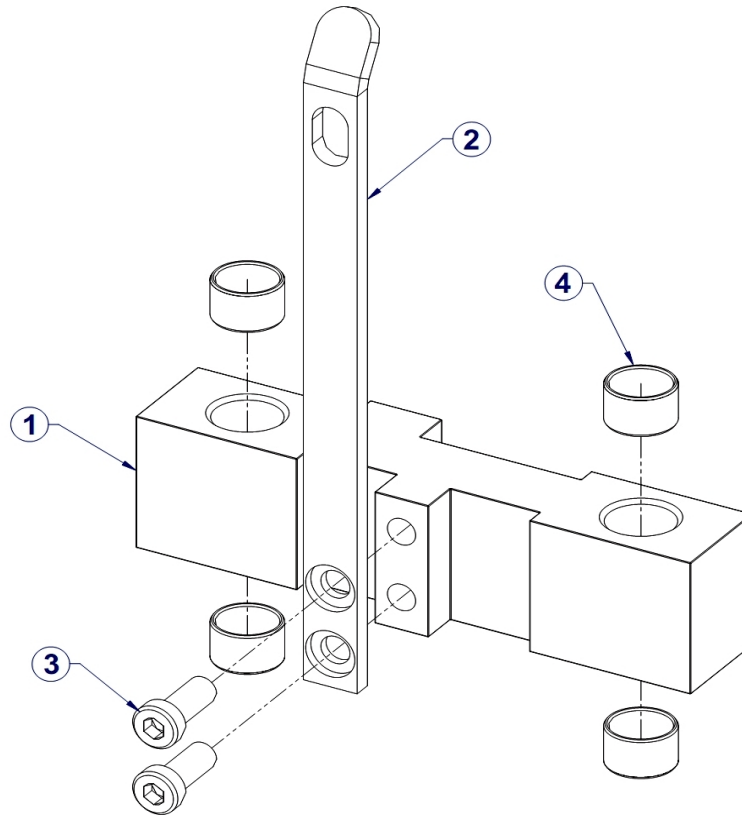


Ref #	Part Number	Qty	Description
1	8861295	1	Increment Weight
2	7328001	1	Bracket Increment Weight-5LB
3	3236202	2	Hardware: Screw 25MM
4	3202501	4	Bearing Sleeve

** Upholstery and Frame Colors are list at the end of the Parts Manual **

** Shroud Options are list at the end of the Parts Manual **

Optional 5Lb Increment Weight Assembly

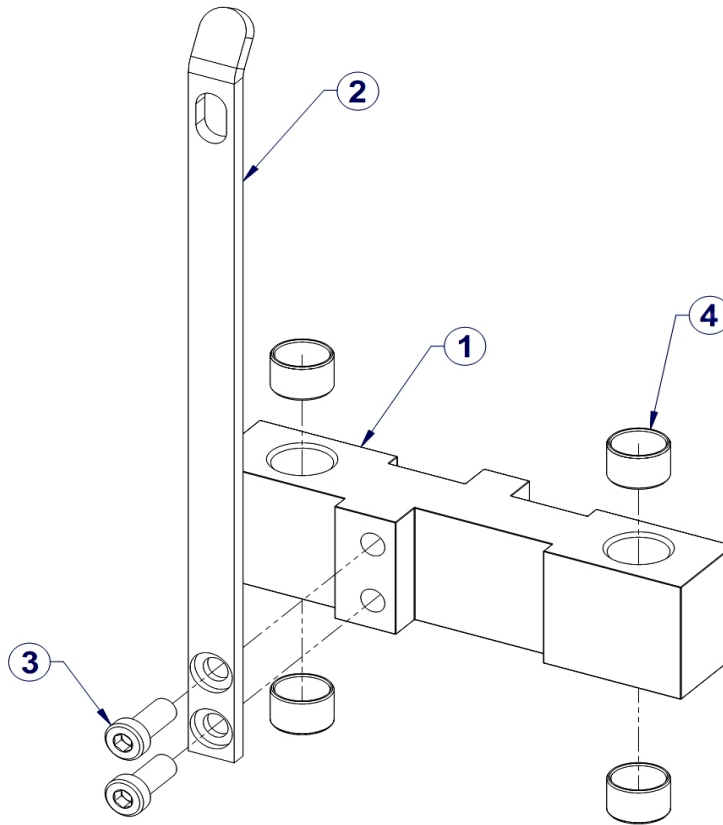


Ref #	Part Number	Qty	Description
1	8861295	1	Increment Weight
2	7328101	1	Bracket Increment Weight-10LB
3	3236202	2	Hardware: Screw 25MM
4	3202501	4	Bearing Sleeve

** Upholstery and Frame Colors are list at the end of the Parts Manual **

** Shroud Options are list at the end of the Parts Manual **

Optional 7.5Lb Increment Weight Assembly

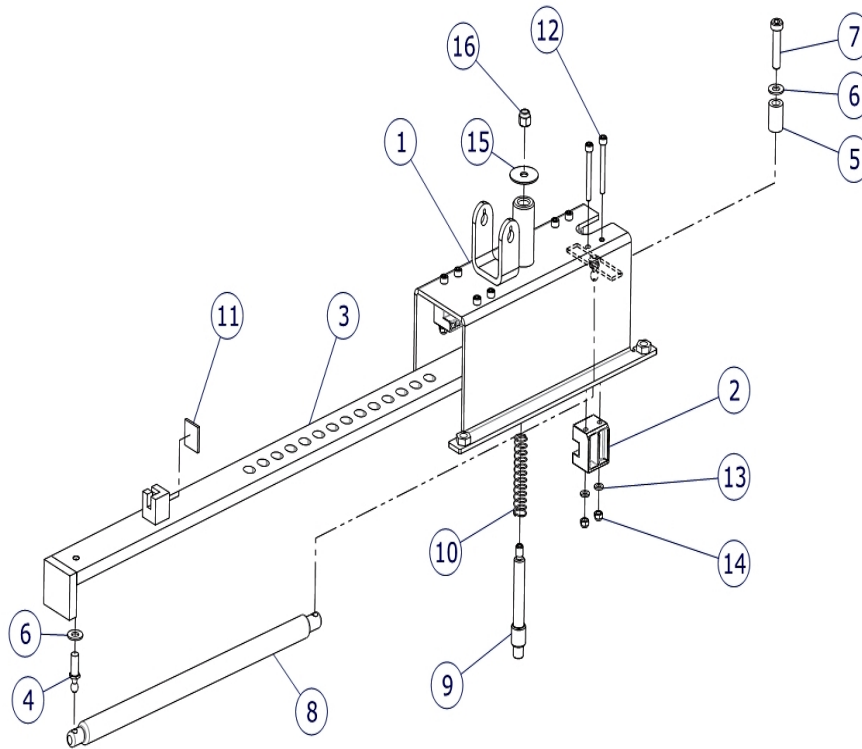


Ref #	Part Number	Qty	Description
1	8861295	1	Increment Weight
2	7328201	1	Bracket Increment Weight-15LB
3	3236202	2	Hardware: Screw 25MM
4	3202501	4	Bearing Sleeve

** Upholstery and Frame Colors are list at the end of the Parts Manual **

** Shroud Options are list at the end of the Parts Manual **

Seat Adjustment Assembly

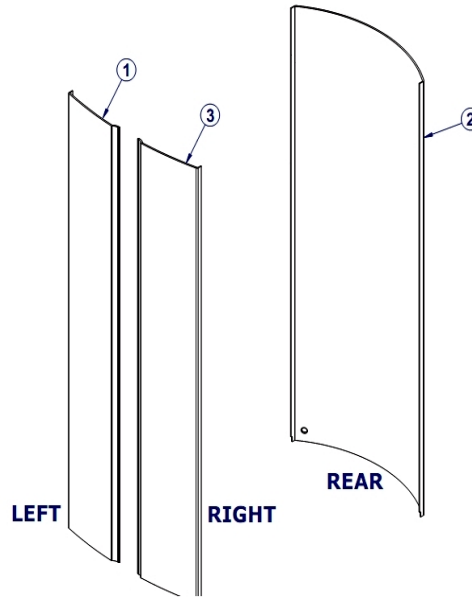


Ref #	Part Number	Qty	Description
1	9064001	1	ASSY, FZ/PS SLP SEAT ADJ
2	7778501	4	Block FZ/PS-SLP
3	7409502	1	Weldment FZ/PS-Slp Adj Plated
4	7414301	1	Stud M10 Ball End M10 X 1.5
5	7354301	1	Spacer 7/16 ID X 1 OD X 1
6	3273303	2	Hardware: WasherR, 3/8, THRU-HARDENED
7	3236205	1	Hardware: Screw 40 MM
8	3239401	1	Gas Spring
9	7351301	1	Pull Pin
10	7351501	1	Pull Pin Spring
11	6140701	1	Glide 1 X 1
12	3241707	8	Hardware: Screw 50MM
13	3241801	8	Flat Washer 6MM
14	3236802	8	Hardware: Nut 6 MM ID
15	3236701	1	Fender Washer 3/8"
16	3102802	1	Hardware: Nut 3/8" ID

** Upholstery and Frame Colors are list at the end of the Parts Manual **

** Shroud Options are list at the end of the Parts Manual **

Stackwraps Shroud

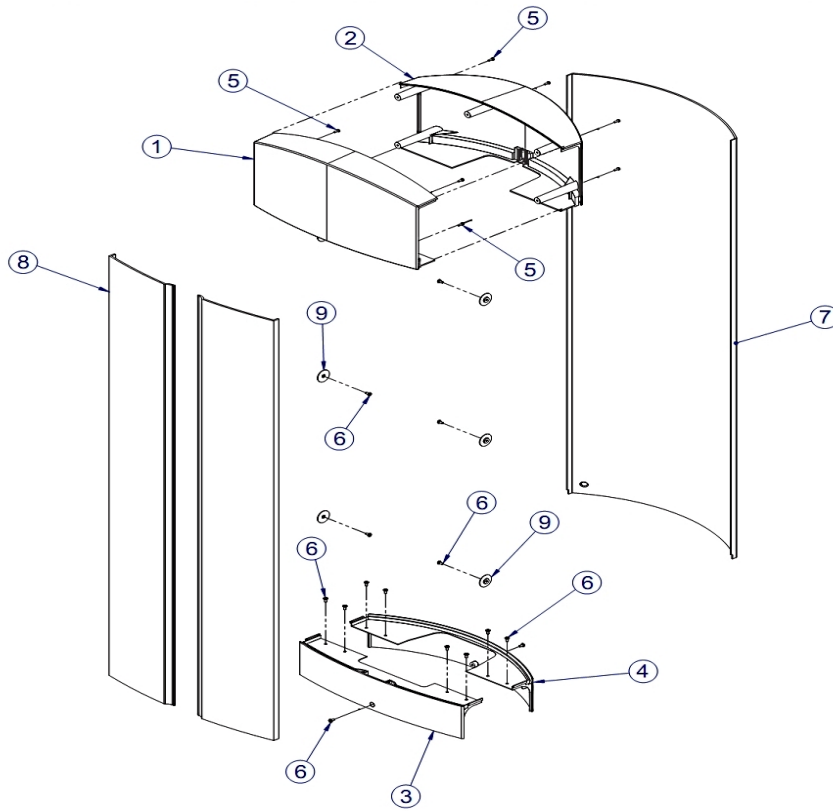


Ref #	Part Number	Qty	Description
1	8954402	1	Shroud FZ Front Tall Left -Bronze
1	8954502	1	Shroud FZ Front Tall Left -Stem
1	8954602	1	Shroud FZ Front Tall Left -Rosewood
1	8954202	1	Shroud FZ Front Tall Left -Bamboo
1	8954702	1	Shroud FZ Front Tall Left -Stainless Steel
1	8954302	1	Shroud FZ Front Tall Left -Sky
2	8949302	1	Shroud FZ Rear Tall -Sky
2	8949902	1	Shroud FZ Rear Tall -Rosewood
2	8949102	1	Shroud FZ Rear Tall -Bamboo
2	8949502	1	Shroud FZ Rear Tall -Bronze
2	8949702	1	Shroud FZ Rear Tall -Stem
2	8950102	1	Shroud FZ Rear Tall -Stainless Steel
3	8949802	1	Shroud FZ Front Tall Right -Rosewood
3	8950002	1	Shroud FZ Front Tall Right -Stainless Steel
3	8949602	1	Shroud FZ Front Tall Right -Stem
3	8949202	1	Shroud FZ Front Tall Right -Sky
3	8949002	1	Shroud FZ Front Tall Right -Bamboo
3	8949402	1	Shroud FZ Front Tall Right -Bronze

** Upholstery and Frame Colors are list at the end of the Parts Manual **

** Shroud Options are list at the end of the Parts Manual **

Standard Plastic Tower Assembly

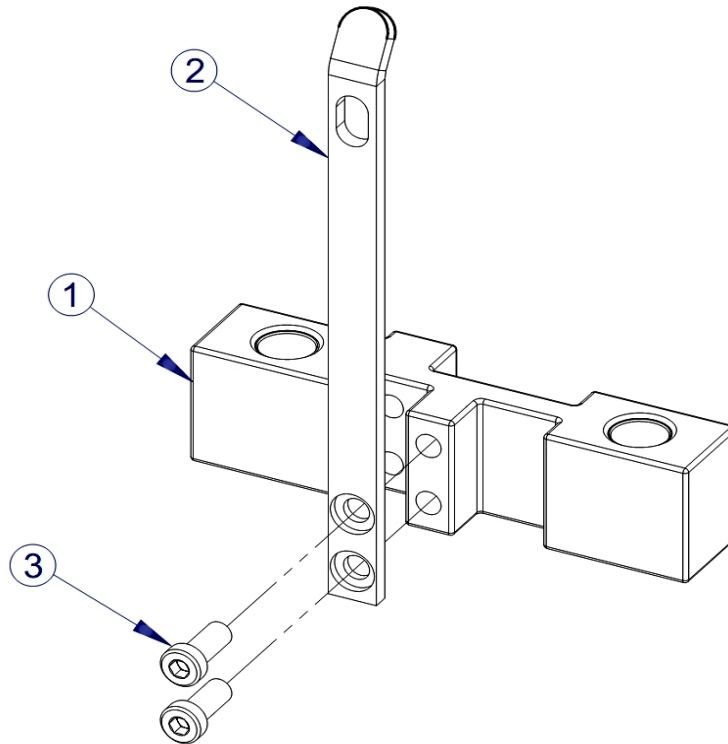


Ref #	Part Number	Qty	Description
1	7318601	1	Cover Tower-Top Front
2	7318701	1	Cover Tower - Top Rear
3	7318801	1	Cover Tower-Bottom Front
4	7318901	1	Cover Tower-Bottom Rear
5	3236501	9	Hardware: Nut 0.7" ID
6	3239101	16	Hardware: Phillips Pan Screw
7	7765702	1	Tower Shroud-Rear Long
8	7765602	2	Tower Shroud-Front Long
9	7583501	6	Retainer FZ Shroud

** Upholstery and Frame Colors are list at the end of the Parts Manual **

** Shroud Options are list at the end of the Parts Manual **

10Lb Increment Weight Assembly

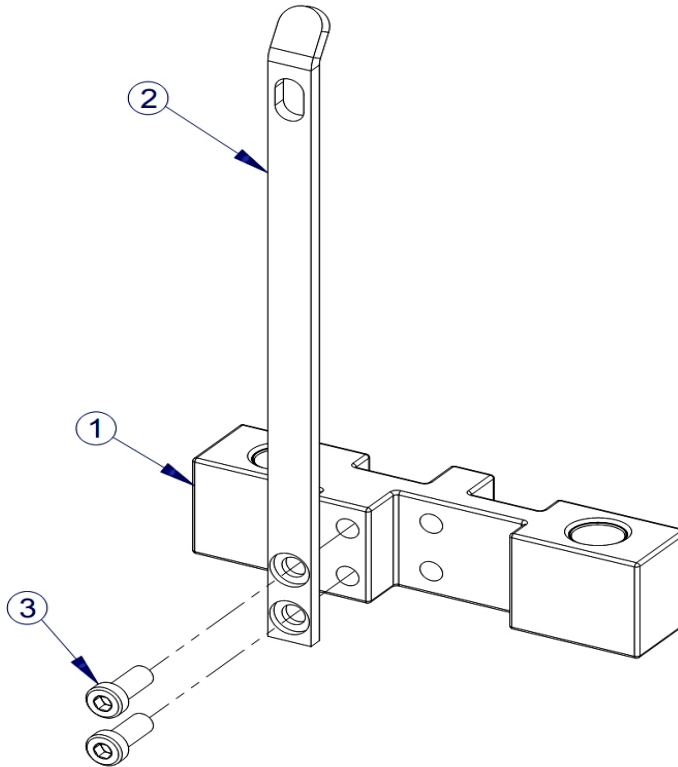


Ref #	Part Number	Qty	Description
1	7968501	1	Assembly FZ Inc Weight 5LB
2	7328101	1	Bracket Increment Weight-10LB
3	3236202	2	Hardware: Screw 25MM

** Upholstery and Frame Colors are list at the end of the Parts Manual **

** Shroud Options are list at the end of the Parts Manual **

15Lb Increment Weight Assembly

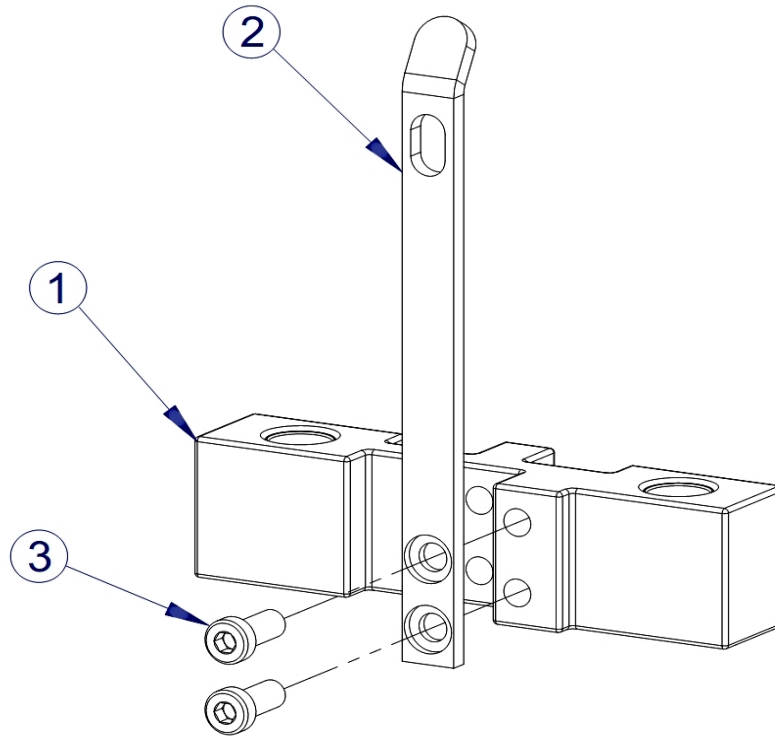


Ref #	Part Number	Qty	Description
1	7968501	1	Assembly FZ Inc Weight 5LB
2	7328201	1	Bracket Increment Weight-15LB
3	3236202	2	Hardware: Screw 25MM

** Upholstery and Frame Colors are list at the end of the Parts Manual **

** Shroud Options are list at the end of the Parts Manual **

5Lb Increment Weight Assembly



Ref #	Part Number	Qty	Description
1	7968501	1	Assembly FZ Inc Weight 5LB
2	7328001	1	Bracket Increment Weight-5LB
3	3236202	2	Hardware: Screw 25MM

** Upholstery and Frame Colors are list at the end of the Parts Manual **

** Shroud Options are list at the end of the Parts Manual **

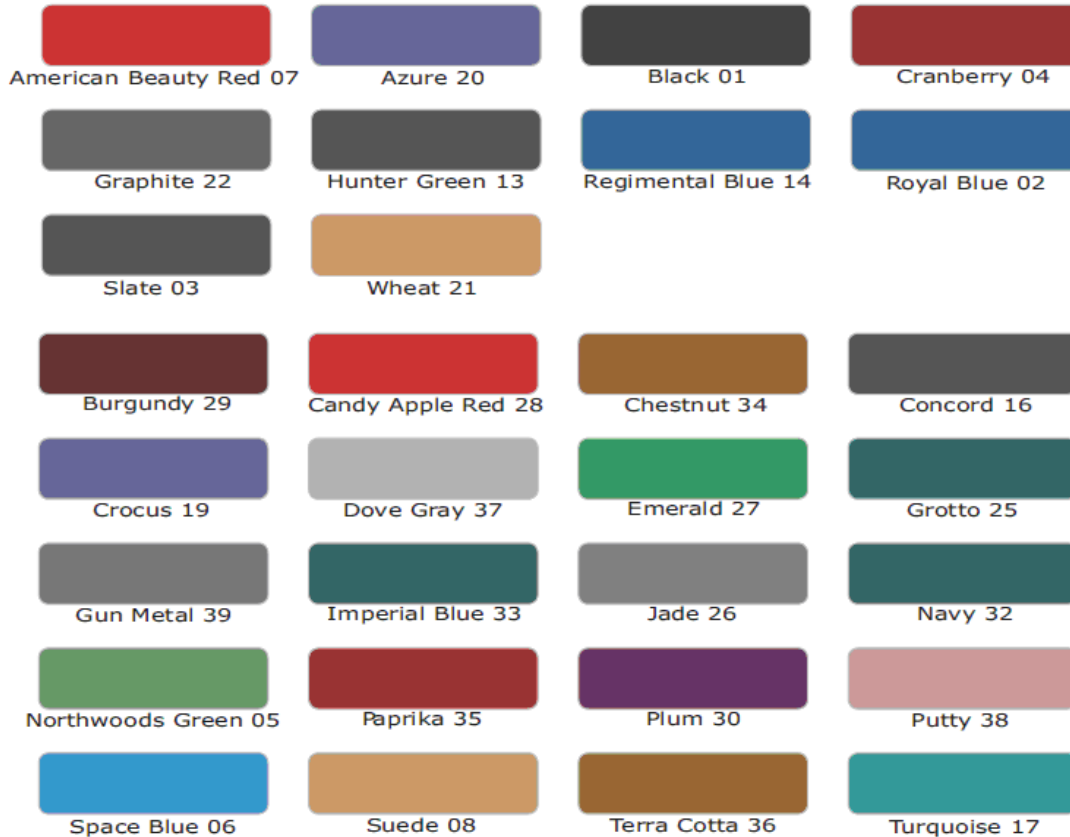
Frame and Upholstery Color Chart

Frame Colors



Note: Include frame color in order notes when ordering frame assemblies or weldments.

Upholstery Colors



Replace '99' with the above color suffix when ordering pads (i.e. 7412399 = 7412301 BLACK)

Shroud Options Chart

STANDARD SHROUD NO WRAP



TRANSLUCENT



OPTIONAL StackWraps™

SHROUD + WRAP

BAMBOO



BRONZE



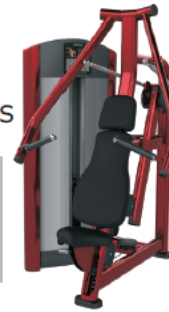
ROSEWOOD



SKY



STAINLESS
STEEL



STEM



CO-BRANDED StackWraps™

SHROUD + WRAP

(refer to co-branded parts list)



PLANET FITNESS

blink FITNESS



BLINK FITNESS

Retro Fitness



RETRO FITNESS