

# Signature Series Single Station - Triceps

FZTP

## Parts Manual

1/5/2019 13:49:40 PM



**Table of Contents**

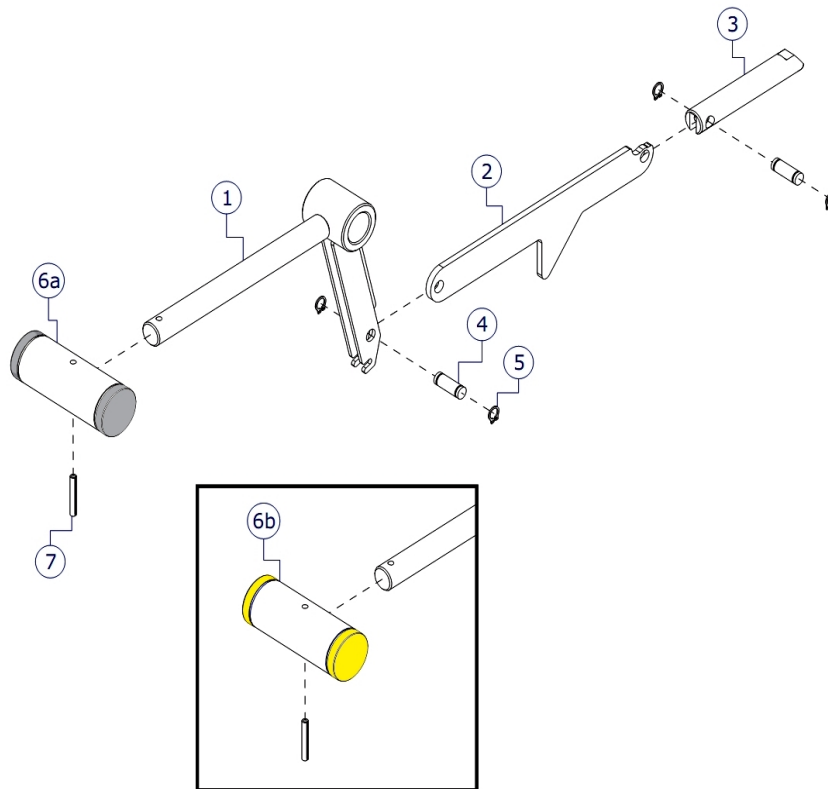
---

<a href="#">Adjuster Handle Assembly</a> .....	3
<a href="#">Component Assembly</a> .....	4
<a href="#">Head Plate Assembly</a> .....	7
<a href="#">MID-14 Tower Assembly</a> .....	9
<a href="#">MID-14 Weight Stack Assembly</a> .....	10
<a href="#">Optional Light MID-14 Weight Stack Assembly</a> .....	11
<a href="#">Optional 2.5Lb Increment Weight Assembly</a> .....	12
<a href="#">Optional 5Lb Increment Weight Assembly</a> .....	13
<a href="#">Optional 7.5Lb Increment Weight Assembly</a> .....	14
<a href="#">Seat Carriage Assembly</a> .....	15
<a href="#">Stackwraps Shroud</a> .....	16
<a href="#">Standard Plastic Tower Assembly</a> .....	17
<a href="#">10Lb Increment Weight Assembly</a> .....	18
<a href="#">15Lb Increment Weight Assembly</a> .....	19
<a href="#">5Lb Increment Weight Assembly</a> .....	20

\*\* Upholstery & Frame Colors are listed at the end of the Parts Manual \*\*

\*\* Shroud Options are listed at the end of the Parts Manual \*\*

## Adjuster Handle Assembly



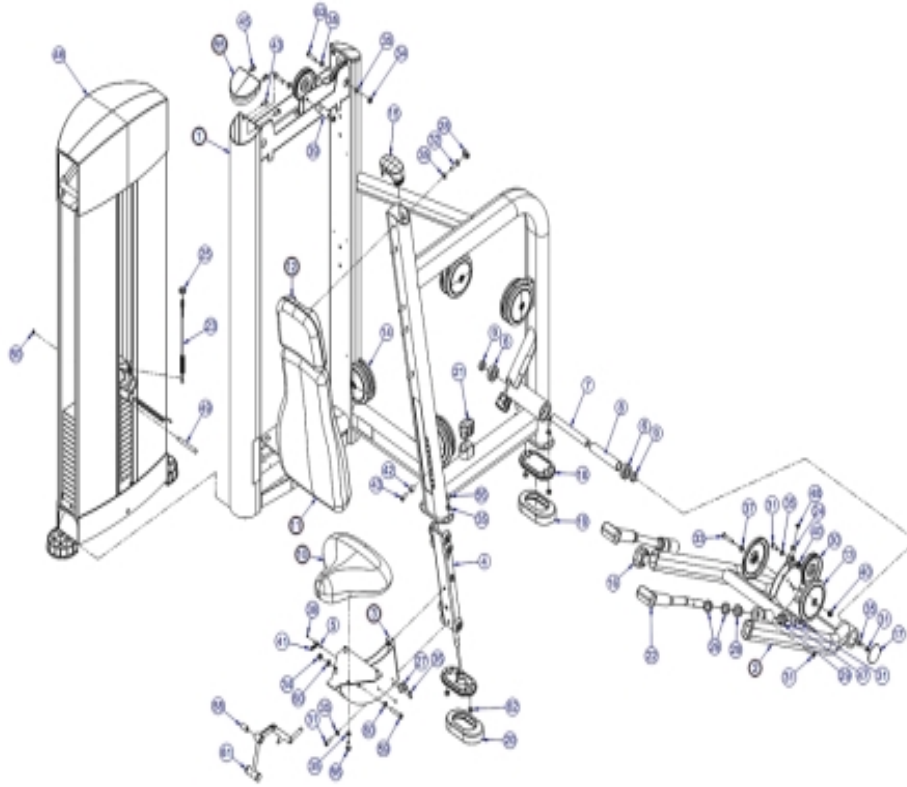
Ref #	Part Number	Qty	Description
1	7777595	1	Weldment FZ Seat Adj Handle Shadow Gray
2	9164801	1	LINK, ADJUSTER
3	9154101	1	PIN, INDEX
4	7407501	2	Pin Link X .520
5	3232401	4	Retaining Ring 0.230" D
6A	7287901	1	Handle Adjuster
6B	7287903	1	Adjuster Handle
7	3110010	1	Roll Pin 1/8" D X 7/8" L

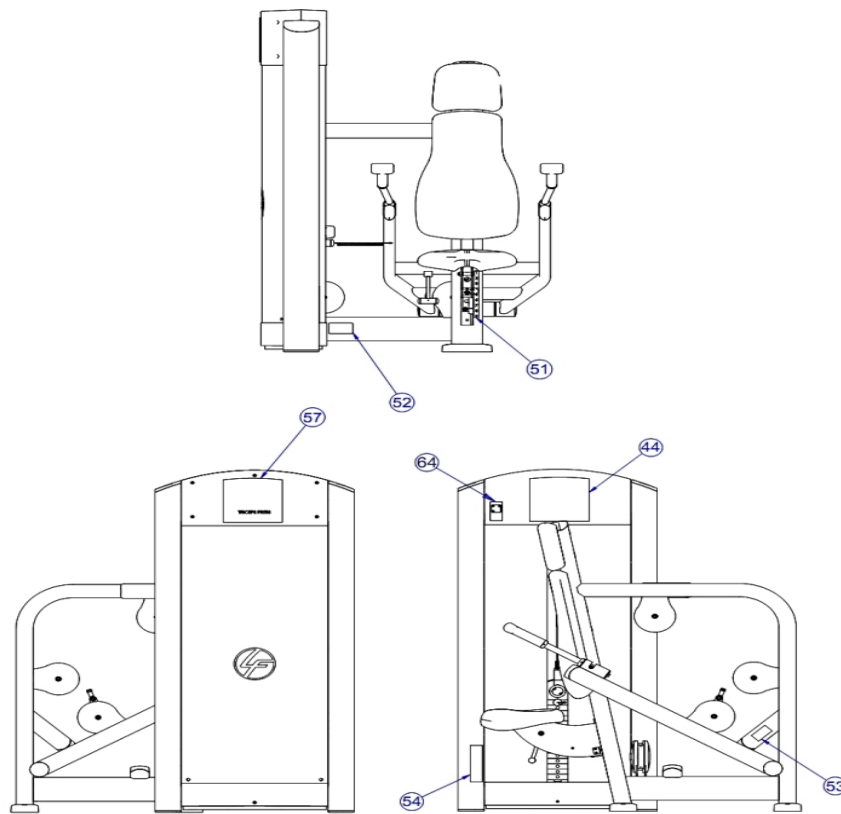
\*\* Upholstery and Frame Colors are list at the end of the Parts Manual \*\*

\*\* Shroud Options are list at the end of the Parts Manual \*\*

## Component Assembly

---





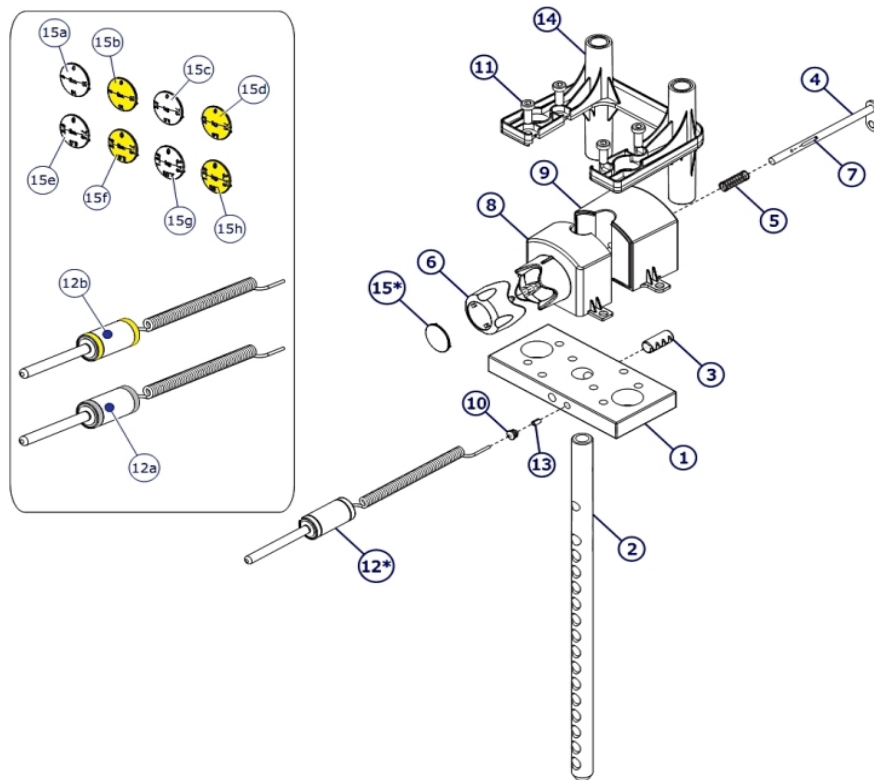
Ref #	Part Number	Qty	Description
2	7344699	1	Weldment, FZTP Press Arm Custom
3	7360399	1	Weldment, Seat Support Custom
4	7911101	1	Assembly Seat Carriage
5	7407502	1	Pin Link X 1.531
6	3235601	2	Ball Bearing
7	7316504	1	Shaft 25MM D 8.25" L
8	7330005	1	Spacer Internal X 6.265
9	7330001	2	Spacer Internal X .403
10	7297199	1	PAD, SEAT SADDLE Custom
11	7474199	1	ASSY, LARGE BACK PAD Custom
12	7474399	1	ASSY, HEAD REST PAD Custom
13	8104501	8	Pulley Cover Notched
14	8094101	2	Pulley Cover Partial
15	7333901	1	End Cap FLOV Large
16	7333801	2	End Cap FLOV Small
17	7308701	2	Cap Bearing Housing
18	7334001	1	Foot 2.50 X 4.49 Flov 10-0074-046 BNR
19	7340201	1	Cover Foot - Straight
20	7419701	1	Cover Foot 10 Deg
21	7317901	2	Stop Bumper
22	7412301	2	Assembly Triceps Handle
23	7423605	1	Cable FZTP 197-5/8"
24	3237901	1	Rod End Metric Female
25	3236902	1	Hardware: Nut 16 MM ID
26	7662802	4	Grip Ring 1.5"
27	7425295	1	Bracket Seat Indicator Shadow Gray
28	3237403	5	Plug 1" Hole
29	3104903	4	Bearing 1" ID 1.25" OD
30	3237801	7	Pulley 4.5" OD

Ref #	Part Number	Qty	Description
31	3236202	9	Hardware: Screw 25MM
32	3251203	5	Hardware: Screw 30MM
33	3236207	5	Hardware: Screw 50MM
34	3236801	3	Hardware: Nut 10 MM ID
35	3273303	21	Hardware: WasherR, 3/8, THRU-HARDENED
36	3239101	2	Hardware: Phillips Pan Screw
37	7630101	5	Retainer CM/MJ Pulley
38	3232401	2	Reatining Ring 0.230" D
39	6757701	1	Cable Clip
40	7335401	6	Hardware: Nut 10 MM ID
41	3273101	1	SPRING, EXT, .50 X .067 X 2.00
42	LEA7385203	1	Spacer
43	3236201	5	Hardware: Screw 20MM
44	7507303	1	Label, FZTP Placard French
44	7507306	1	LABEL, FZTP PLACARD DUT
44	7507308	1	LABEL, FZTP PLACARD POR
44	7507309	1	LABEL, FZTP PLACARD SWE
44	7507305	1	Label, FZTP Placard Italian
44	7507304	1	LABEL, FZTP PLACARD SPN
44	7507302	1	LABEL, FZTP PLACARD GER
44	7507301	1	Label FZTP Placard English
44	7507310	1	Label, FZTP Placard Russian
44	7507307	1	LABEL, FZTP PLACARD JAP
45	3238601	4	Blind Thread Insert - 1.5"
47	3236701	2	Fender Washer 3/8"
48	3236901	1	Hardware: Nut Hex Jam 10 MM
49	7564501	1	Pin FZ/PS Weight Plate
50	3243901	1	Ring11 MM
51	7524501	1	Label 1-9 Straight
52	7571301	1	Label Serial Number
53	8039501	1	Label Warning Triangle 10-0099-067 BNR
54	7422004	1	Label 2" ASTM Warning
55	7326299	2	Cap, D-Tube-Top Custom
56	3251202	8	Hardware: Screw 25MM
57	7507401	1	Label FZTP Logo
58	7776501	1	Shaft .625 X .406 X 1.200
59	3236208	1	Hardware: Screw 55MM
60	7776401	2	Spacer Flange .406 X .495 X .81
61	7778001	1	Assembly, FZ Adjuster Handle White
61	7778003	1	Assembly, FZ Adjuster Handle Black
62	3254703	4	Hardware: Nut 10 MM ID
63	3236206	2	Hardware: Screw 45MM
64	9311601	1	LABEL, FZTP, NFC-QR TAG

\*\* Upholstery and Frame Colors are list at the end of the Parts Manual \*\*

\*\* Shroud Options are list at the end of the Parts Manual \*\*

## Head Plate Assembly



Ref #	Part Number	Qty	Description
1	7326701	1	Head Plate
2	7328901	1	Stem 14 Plate
3	3236001	1	SpringPin Bushing
4	7327201	1	Increment Weight Pin
5	8024501	1	Spring
6	7326101	1	Incremental Weight Selector Knob
7	3110008	1	Roll Pin 1/8" D 1-1/4" L
8	7326401	1	Selector Housing - Front
9	7326501	1	Selector Housing - Rear
10	7356501	1	Plug Lanyard Attachment
11	3236202	4	Hardware: Screw 25MM
12A	7338101	1	Weight Stack Selector Pin
12B	7338103	1	Weight Stack Selector Pin
13	7523601	1	Crimp Cable
14	8867301	1	Assembly FZ Stabilizer with Bushings
15E	8865801	1	FZ Selector Knob Cap - 2.5 LBS Silver
15A	7398601	1	Selector Knob Cap - 5 LBS Silver
15H	8946503	1	CAP, FZ SELECTOR KNOB - 1.25 KG, YELLOW
15D	7398703	1	Selector Knob Cap - 2.5 KG Yellow
15F	8865803	1	FZ Selector Knob Cap - 2.5 LBS Yellow
15G	8946501	1	CAP, FZ SELECTOR KNOB - 1.25 KG, SILVER
15C	7398701	1	Selector Knob Cap - 2.5 KG Silver

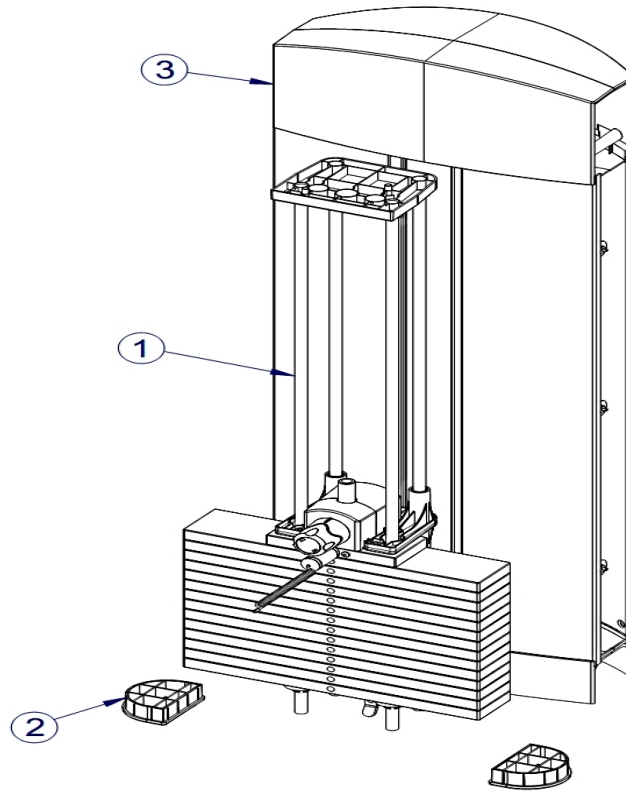
Ref #	Part Number	Qty	Description
15B	7398603	1	Selector Knob Cap - 5 LBS Yellow

\*\* Upholstery and Frame Colors are list at the end of the Parts Manual \*\*

\*\* Shroud Options are list at the end of the Parts Manual \*\*

## MID-14 Tower Assembly

---



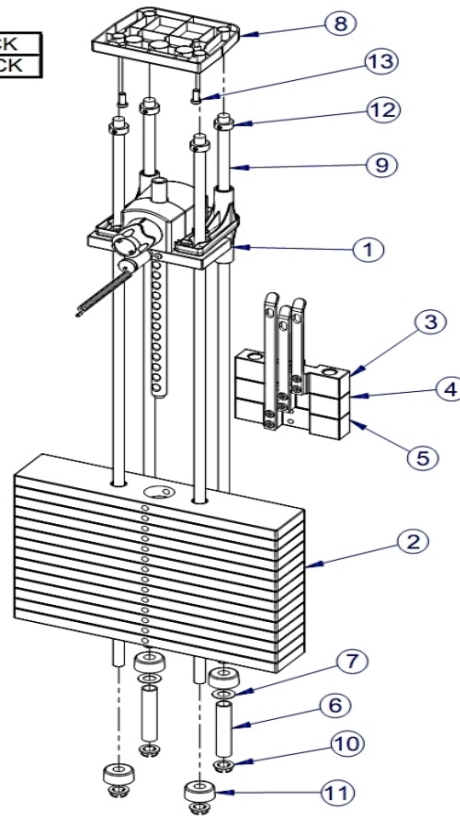
Ref #	Part Number	Qty	Description
2	7326301	2	Cap D-Tube-Bottom

\*\* Upholstery and Frame Colors are list at the end of the Parts Manual \*\*

\*\* Shroud Options are list at the end of the Parts Manual \*\*

# MID-14 Weight Stack Assembly

WEIGHT STACK LABELS	
7927201	LABEL, 390 LB STACK
7927301	LABEL, 195 KG STACK



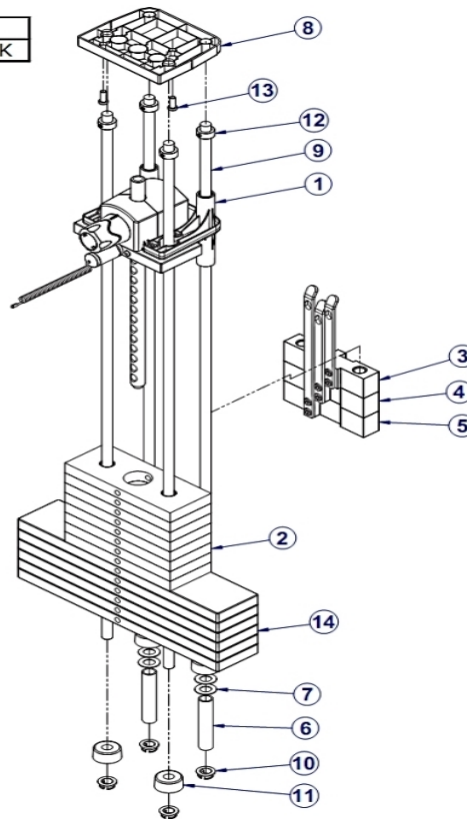
Ref #	Part Number	Qty	Description
1	7350701	1	Assembly Head Plate (14)
2	7328401	14	Weight Plate 20 LB
3	7327601	1	Assembly Increment Weight-5LB
4	7327701	1	Assembly Increment Weight-10LB
5	7327801	1	Assembly Increment Weight-15LB
6	7328701	2	Spacer Inc Weight Stack 14 Plate
7	7351001	2	Spacer Increment Weight Stack
8	7621101	1	Guide Rod Retainer Top
9	7328602	4	Guide Rod .75" OD 53.50" L
10	7337901	4	Bushing Guide Rod
11	7352101	4	Cushion Weight Stack
12	3103301	4	Shaft Collar 3/4" ID Zinc
13	3236202	2	Hardware: Screw 25MM
-	7927201	1	Label 390 LB Stack
-	7927301	1	Label 195 KG Stack

\*\* Upholstery and Frame Colors are list at the end of the Parts Manual \*\*

\*\* Shroud Options are list at the end of the Parts Manual \*\*

**Optional Light MID-14 Weight Stack Assembly**

**WEIGHT STACK LABELS**  
8867001 LABEL, 310 LB STACK

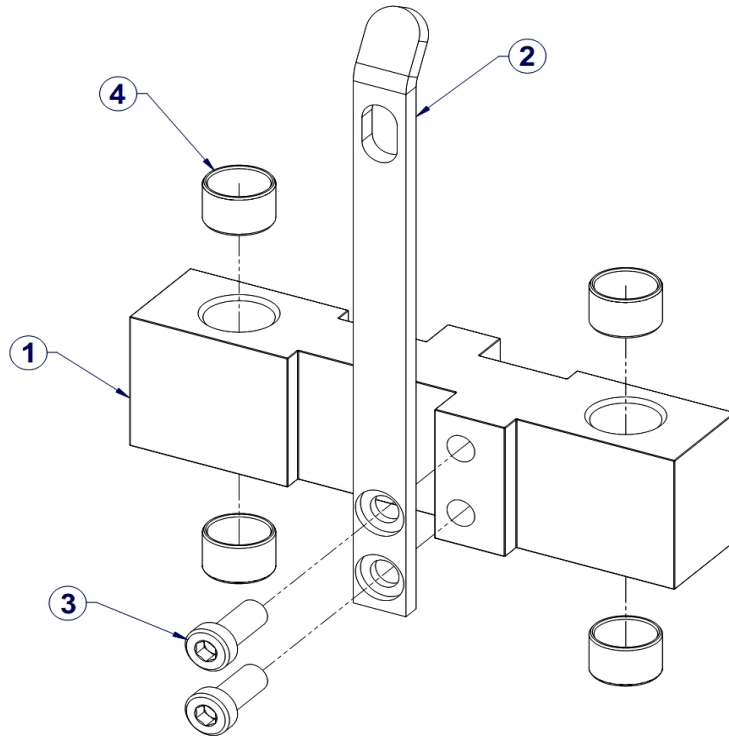


Ref #	Part Number	Qty	Description
1	7350701	1	Assembly Head Plate (14)
2	7353701	8	Weight Plate 10 LB
3	8861301	1	Assembly FZ Inc Weight - 2.5 LB
4	8861401	1	Assembly FZ Inc Weight - 5 LB
5	8861501	1	Assembly FZ Inc Weight - 7.5 LB
6	7328701	2	Spacer Inc Weight Stack 14 Plate
7	7351001	4	Spacer Increment Weight Stack
8	7621101	1	Guide Rod Retainer Top
9	7328602	4	Guide Rod .75" OD 53.50" L
10	7337901	4	Bushing Guide Rod
11	7352101	4	Cushion Weight Stack
12	3103301	4	Shaft Collar 3/4" ID Zinc
13	3236202	2	Hardware: Screw 25MM
14	7328401	6	Weight Plate 20 LB
-	8867101	1	Label 190 LB Stack

\*\* Upholstery and Frame Colors are list at the end of the Parts Manual \*\*

\*\* Shroud Options are list at the end of the Parts Manual \*\*

## Optional 2.5Lb Increment Weight Assembly

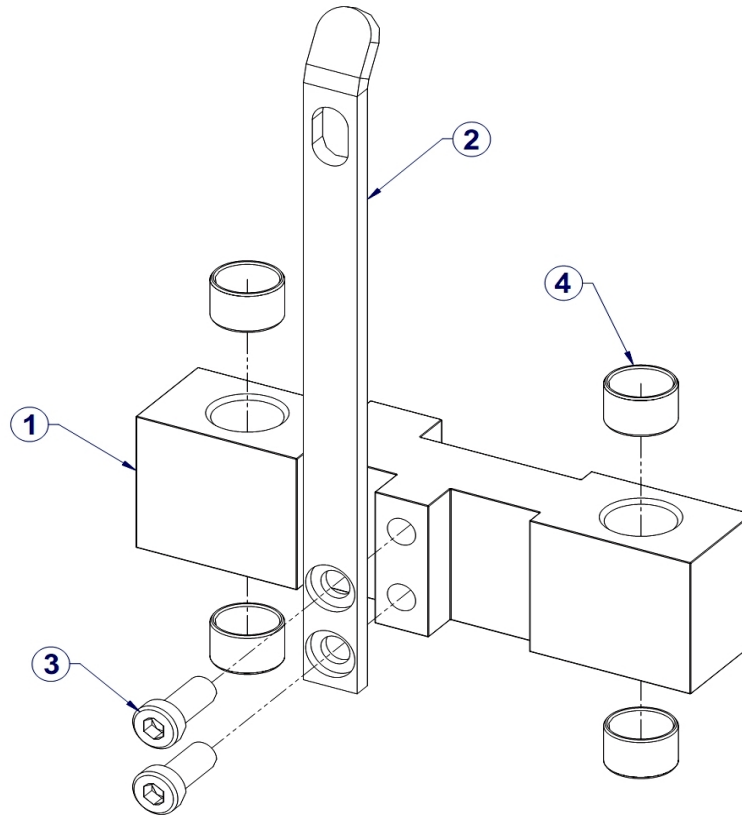


Ref #	Part Number	Qty	Description
1	8861295	1	Increment Weight
2	7328001	1	Bracket Increment Weight-5LB
3	3236202	2	Hardware: Screw 25MM
4	3202501	4	Bearing Sleeve

\*\* Upholstery and Frame Colors are list at the end of the Parts Manual \*\*

\*\* Shroud Options are list at the end of the Parts Manual \*\*

## Optional 5Lb Increment Weight Assembly

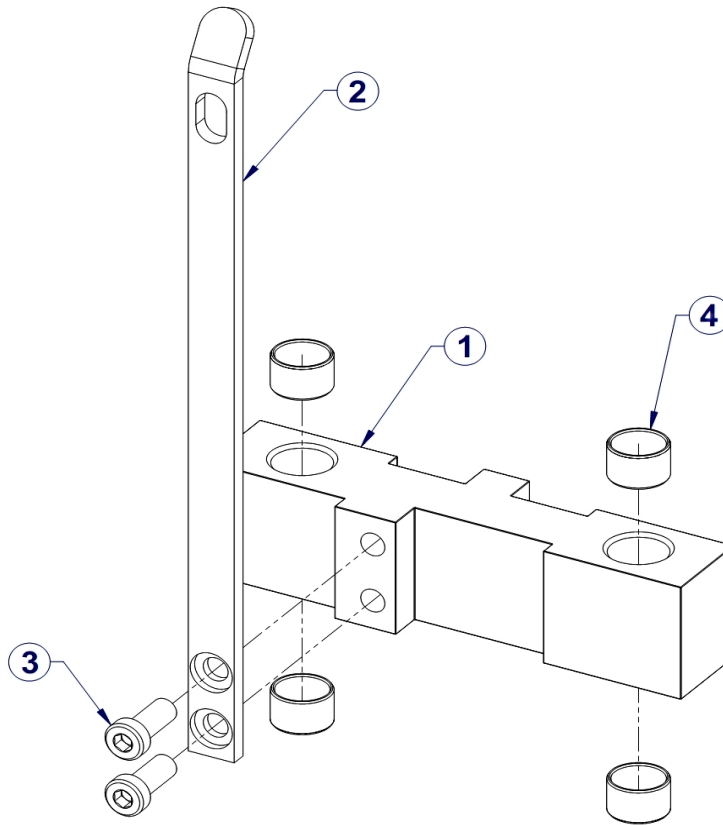


Ref #	Part Number	Qty	Description
1	8861295	1	Increment Weight
2	7328101	1	Bracket Increment Weight-10LB
3	3236202	2	Hardware: Screw 25MM
4	3202501	4	Bearing Sleeve

\*\* Upholstery and Frame Colors are list at the end of the Parts Manual \*\*

\*\* Shroud Options are list at the end of the Parts Manual \*\*

## Optional 7.5Lb Increment Weight Assembly

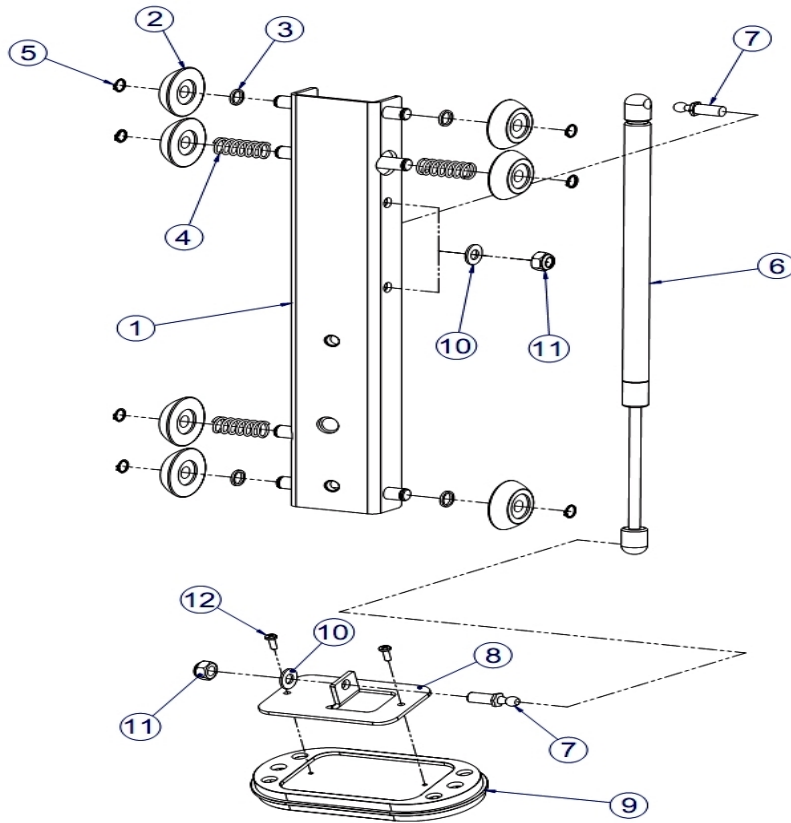


Ref #	Part Number	Qty	Description
1	8861295	1	Increment Weight
2	7328201	1	Bracket Increment Weight-15LB
3	3236202	2	Hardware: Screw 25MM
4	3202501	4	Bearing Sleeve

\*\* Upholstery and Frame Colors are list at the end of the Parts Manual \*\*

\*\* Shroud Options are list at the end of the Parts Manual \*\*

## Seat Carriage Assembly

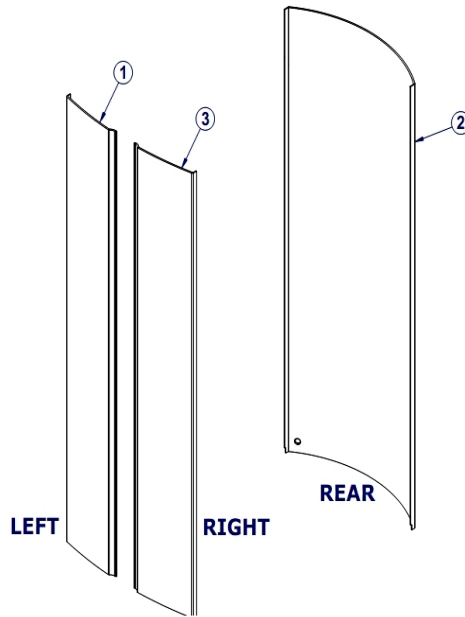


Ref #	Part Number	Qty	Description
1	7911295	1	Weldment Seat Carriage Shadow Gray
2	7889701	7	Roller Seat Carriage
3	7911901	4	Spacer .625 Diameter X 16 GA
4	7912001	3	Spring Seat Carriage
5	3232408	7	Reatining Ring 0.443" D
6	3235703	1	Gas Spring
7	7414301	2	Stud M10 Ball End M10 X 1.5
8	7339401	1	Gas Spring Bracket
9	7334001	1	Foot 2.50 X 4.49 Flov 10-0074-046 BNR
10	3273303	2	Hardware: WasherR, 3/8, THRU-HARDENED
11	3236801	2	Hardware: Nut 10 MM ID
12	3273501	2	M4 PHL PAN C ST ZN

\*\* Upholstery and Frame Colors are list at the end of the Parts Manual \*\*

\*\* Shroud Options are list at the end of the Parts Manual \*\*

# Stackwraps Shroud

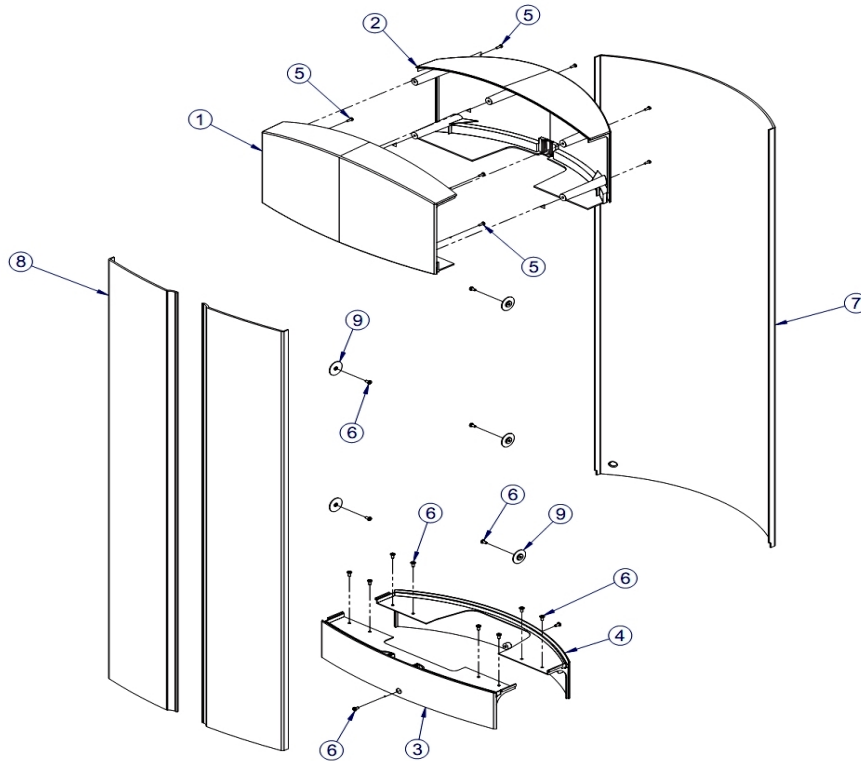


Ref #	Part Number	Qty	Description
1	8954401	1	Shroud FZ Front Left - Bronze
1	8954301	1	Shroud FZ Front Short Left -Sky
1	8954701	1	Shroud FZ Front Short Left -Stainless Steel
1	8954601	1	Shroud FZ Front Short Left -Rosewood
1	8954501	1	Shroud FZ Front Short Left -Stem
1	8954201	1	Shroud FZ Front Short Left -Bamboo
2	8950101	1	Shroud FZ Rear Short -Stainless Steel
2	8949501	1	Shroud FZ Rear -Bronze
2	8949101	1	Shroud FZ Rear Short -Bamboo
2	8949701	1	Shroud FZ Rear Short -Stem
2	8949901	1	Shroud FZ Rear Short -Rosewood
2	8949301	1	Shroud FZ Rear Short -Sky
3	8949401	1	Shroud FZ Front Short Right -Bronze
3	8950001	1	Shroud FZ Front Short Right-Stainless Steel
3	8949601	1	Shroud FZ Front Short Right -Stem
3	8949001	1	Shroud FZ Front Short Right -Bamboo
3	8949801	1	Shroud FZ Front Short Right -Rosewood
3	8949201	1	Shroud FZ Front Short Right -Sky

\*\* Upholstery and Frame Colors are list at the end of the Parts Manual \*\*

\*\* Shroud Options are list at the end of the Parts Manual \*\*

# Standard Plastic Tower Assembly

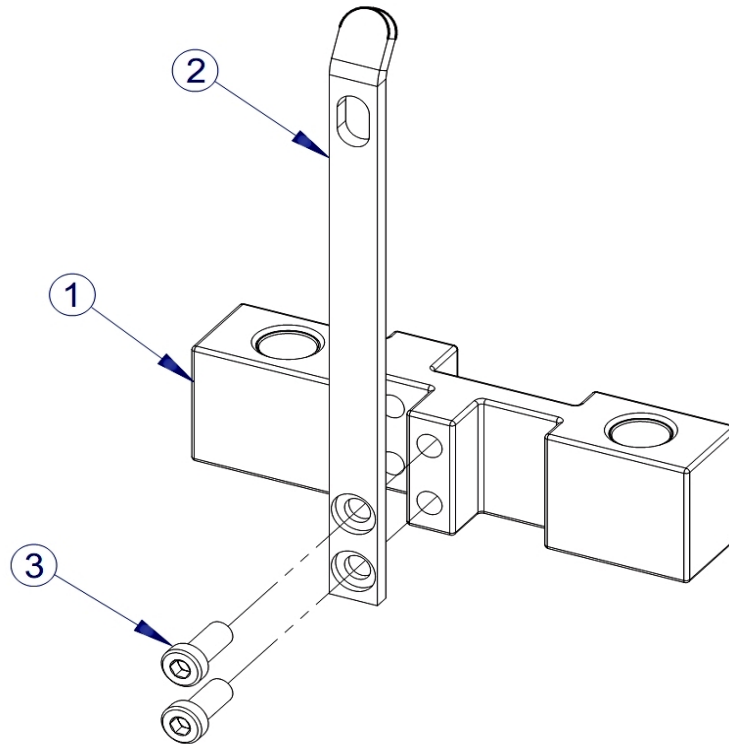


Ref #	Part Number	Qty	Description
1	7318601	1	Cover Tower-Top Front
2	7318701	1	Cover Tower - Top Rear
3	7318801	1	Cover Tower-Bottom Front
4	7318901	1	Cover Tower-Bottom Rear
5	3236501	9	Hardware: Nut 0.7" ID
6	3239101	16	Hardware: Phillips Pan Screw
7	7765701	1	Tower Shroud-Rear Short
8	7765601	2	Tower Shroud-Front Short
9	7583501	6	Retainer FZ Shroud

\*\* Upholstery and Frame Colors are list at the end of the Parts Manual \*\*

\*\* Shroud Options are list at the end of the Parts Manual \*\*

# 10Lb Increment Weight Assembly



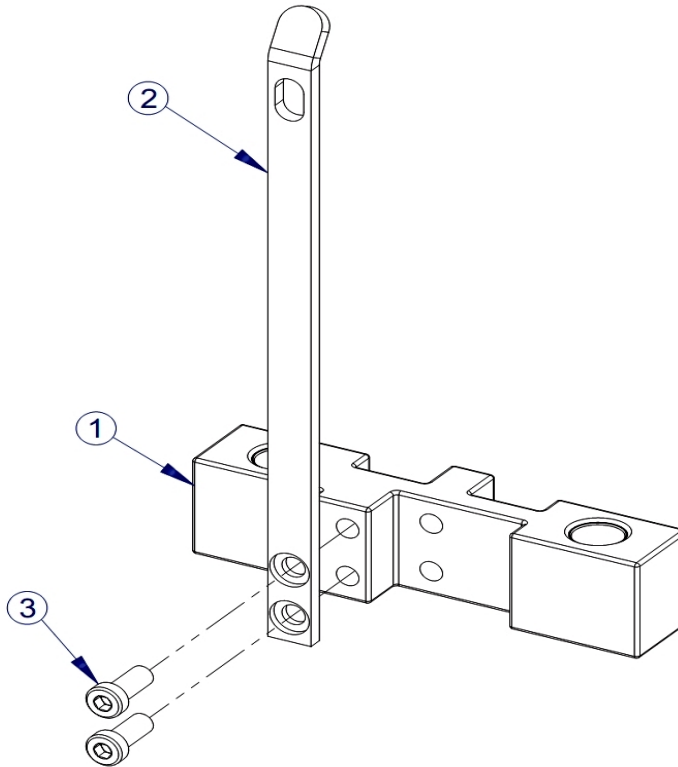
Ref #	Part Number	Qty	Description
1	7968501	1	Assembly FZ Inc Weight 5LB
2	7328101	1	Bracket Increment Weight-10LB
3	3236202	2	Hardware: Screw 25MM

\*\* Upholstery and Frame Colors are list at the end of the Parts Manual \*\*

\*\* Shroud Options are list at the end of the Parts Manual \*\*

# 15Lb Increment Weight Assembly

---



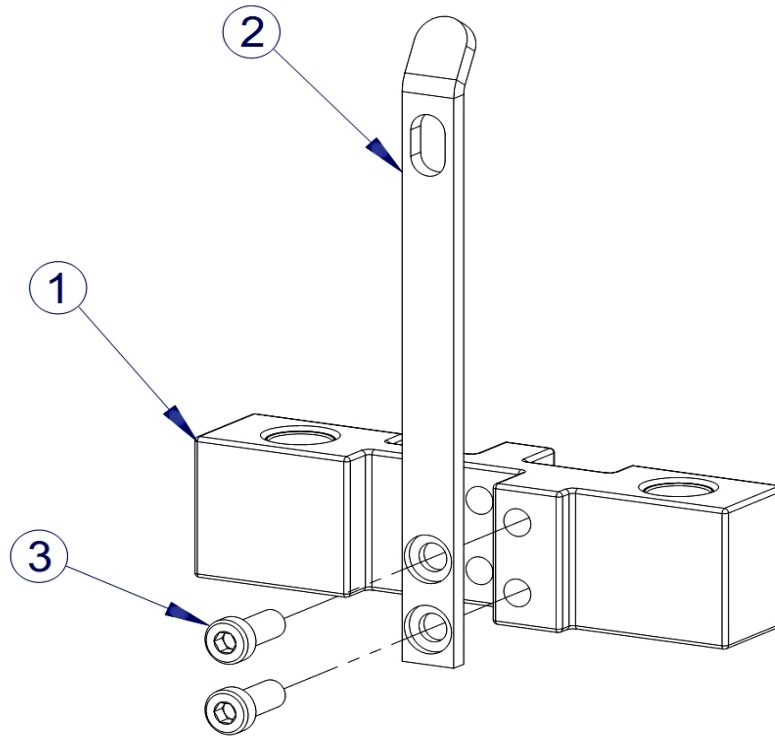
Ref #	Part Number	Qty	Description
1	7968501	1	Assembly FZ Inc Weight 5LB
2	7328201	1	Bracket Increment Weight-15LB
3	3236202	2	Hardware: Screw 25MM

\*\* Upholstery and Frame Colors are list at the end of the Parts Manual \*\*

\*\* Shroud Options are list at the end of the Parts Manual \*\*

## 5Lb Increment Weight Assembly

---



Ref #	Part Number	Qty	Description
1	7968501	1	Assembly FZ Inc Weight 5LB
2	7328001	1	Bracket Increment Weight-5LB
3	3236202	2	Hardware: Screw 25MM

\*\* Upholstery and Frame Colors are list at the end of the Parts Manual \*\*

\*\* Shroud Options are list at the end of the Parts Manual \*\*

# Frame and Upholstery Color Chart

## Frame Colors



Note: Include frame color in order notes when ordering frame assemblies or weldments.

## Upholstery Colors



Replace '99' with the above color suffix when ordering pads (i.e. 7412399 = 7412301 BLACK)

### Shroud Options Chart

---

#### STANDARD SHROUD NO WRAP



TRANSLUCENT



#### OPTIONAL StackWraps™

SHROUD + WRAP

BAMBOO



BRONZE



ROSEWOOD



SKY



STAINLESS  
STEEL



STEM



#### CO-BRANDED StackWraps™

SHROUD + WRAP

(refer to co-branded parts list)



PLANET FITNESS

blink FITNESS



BLINK FITNESS



RETRO FITNESS