

Not Shown:
Home Switch
0017-00032-0178
Home Switch Cable
AK36-00025-0000

Drive Motor Assembly
120v/60Hz
SK40-00051-0001

Belt Tensioning Rod
OK40-01096-0000

TECKS PAK Spring
OK40-01026-0001
TECS PAK Screws
0017-00101-1611

Stride Belt
OK36-01019-0006

Optical Sensor
AK40-00031-0000

Rear Roller
OK40-01013-0000

Lift Actuator
OK40-01132-0000(120v/60Hz)
OK40-01132-0001(220v/50Hz, 240v+)

Heatsink Assembly
120v/60Hz
AK40-00033-0001(R)
220v/60Hz, 240v+
AK40-00033-0002(R)

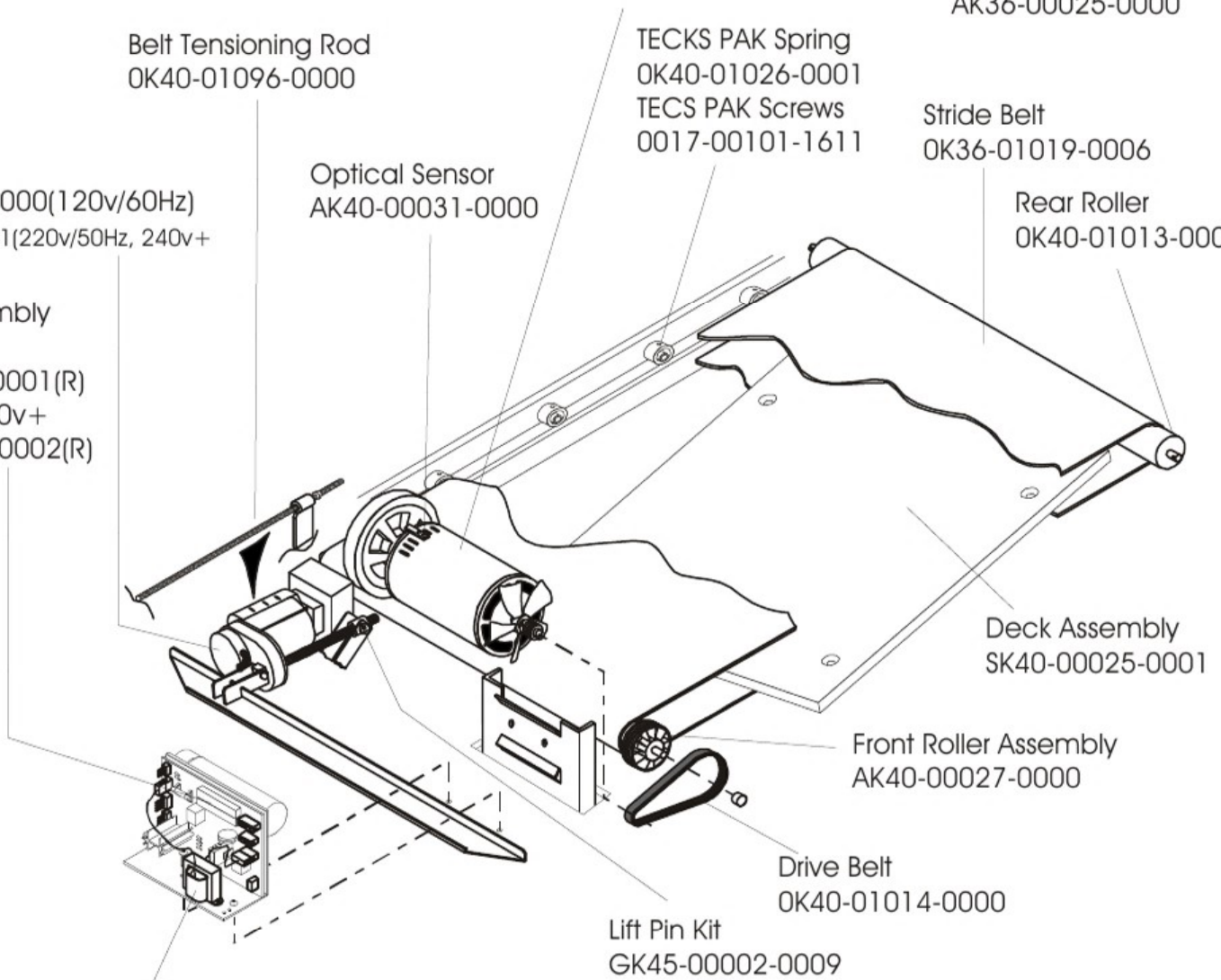
Deck Assembly
SK40-00025-0001

Front Roller Assembly
AK40-00027-0000

Drive Belt
OK40-01014-0000

Lift Pin Kit
GK45-00002-0009

Transformer
120v
0017-00003-0751
230v
0017-00003-0758



Console Assembly

- AK40-00049-0001(R) Eng/Eng - R&R only
- AK40-00049-0002(R) Ger/Met - R&R only
- AK40-00049-0003(R) Eng/Met - R&R only
- AK40-00049-0004(R) Frn/Met - R&R only
- AK40-00049-0005(R) Spn/Met - R&R only
- AK40-00049-0006(R) Itl/Met
- AK40-00049-0009(R) Dut/Met - R&R only

Overlay Bezel

- AK40-00062-0001 Eng/Eng
- AK40-00062-0002 Ger/Met (NLA)
- AK40-00062-0003 Eng/Met (NLA)
- AK40-00062-0004 Frn/Met (NLA)
- AK40-00062-0005 Spn/Met (NLA)
- AK40-00062-0006 Itl/Met (NLA)
- AK40-00062-0009 Dut/Met (NLA)

Handlebar w/Grips
OK40-01092-0000

Stop Key/Clip
AK40-00035-0000

Handrail Tube
OK40-01006-0000

Left Extrusion Assembly
AK40-00029-0002

Leg Leveler
0017-00009-0796

Mono-Column
OK40-01093-0000

Motor Shroud
AK40-00037-0000

Wheel
OK40-01021-0000

Right Extrusion Assembly
AK40-00029-0001

