

# Cybex Hydro Rower Pro

GROUP-ROW-01CY

## Parts Manual

2/8/2019 7:26:52 AM

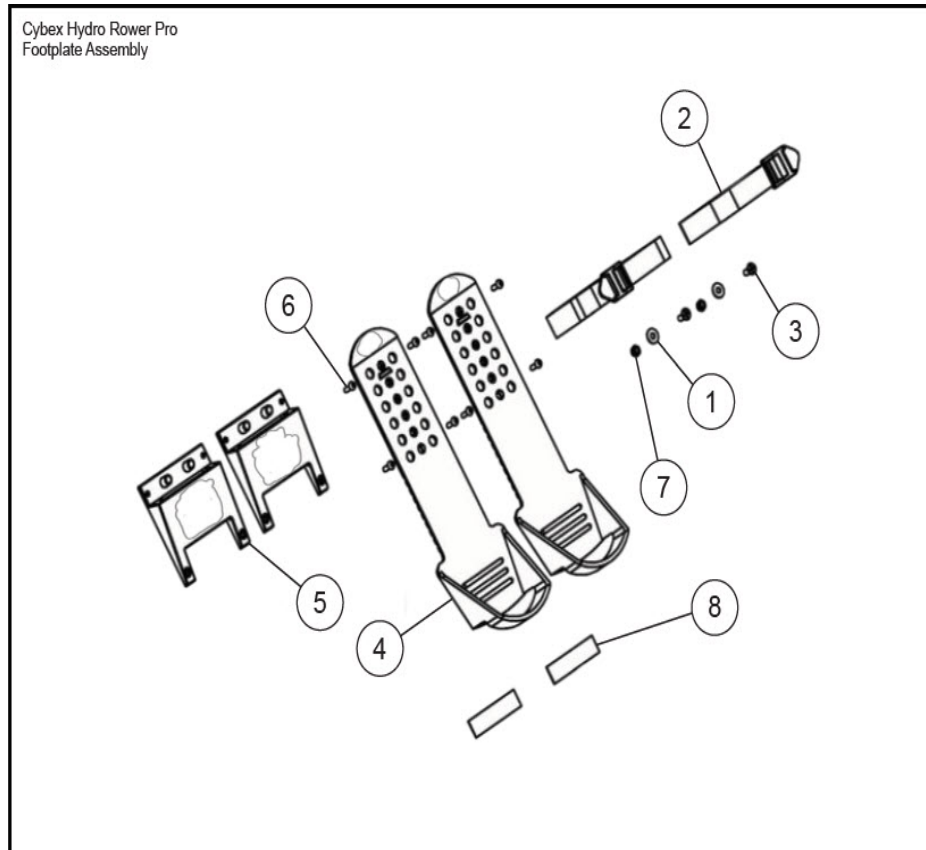


**Table of Contents**

---

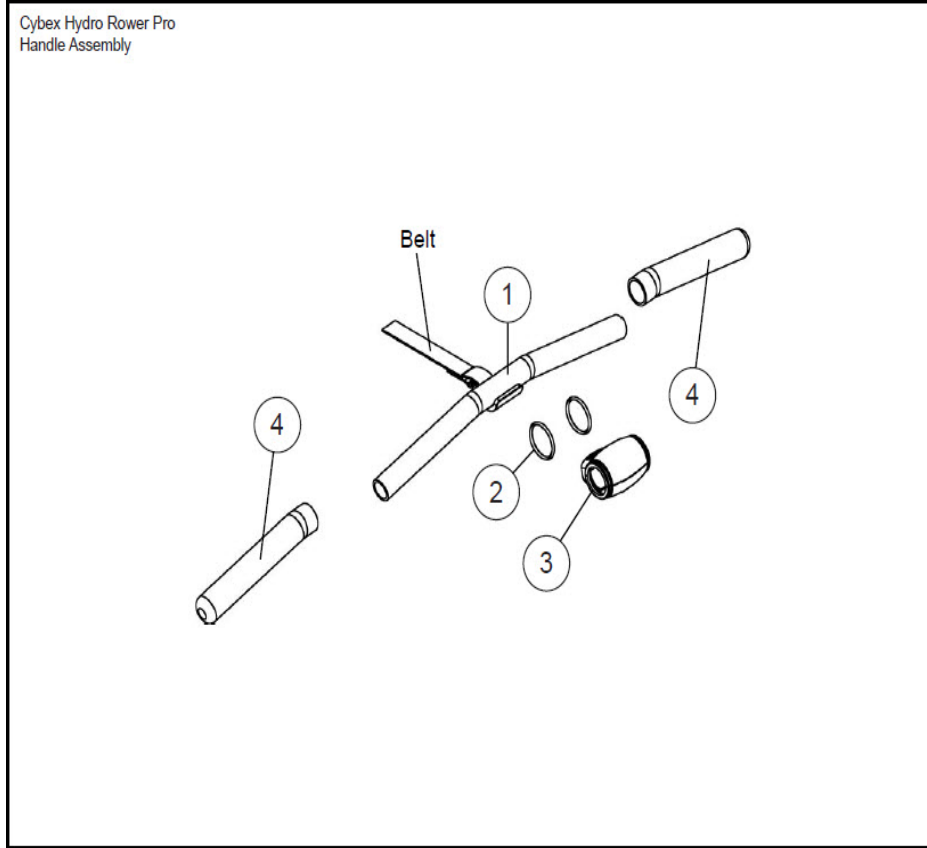
[01CY Foot Plate Assembly.....](#)3  
[01CY Handle Assembly.....](#)4  
[01CY Leg Assembly.....](#)5  
[01CY Lower Main Frame Assembly.....](#)6  
[01CY Seat Assembly.....](#)7  
[01CY Side Rail Assembly.....](#)8  
[01CY Tank Complete Assembly.....](#)9  
[01CY Upper Main Frame Assembly.....](#)11

## O1CY Foot Plate Assembly



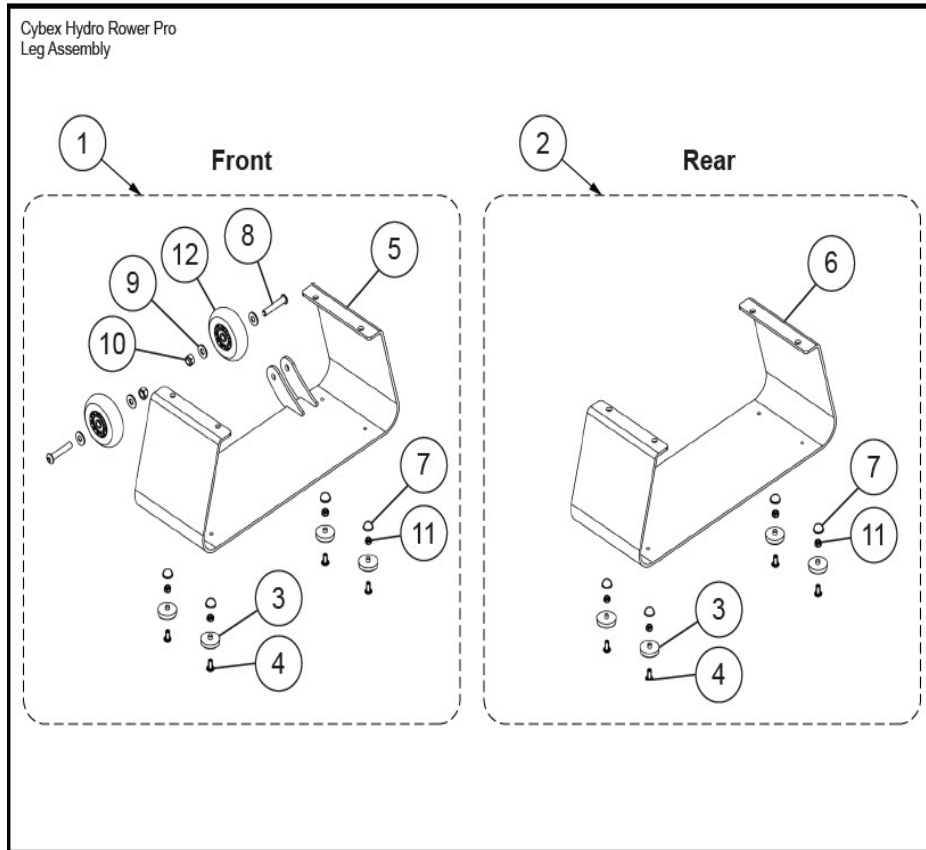
Ref #	Part Number	Qty	Description
1	0K106-10100-0000	4	WASHER: M6X16X1, 10100
2	1007847-0001	2	STRAP: FOOT, BLACK, W/BUCKLE
3	1007848-0001	4	SCREW: FLAT, M6x20, B
4	0K106-62063-0000	2	SLIDER: FOOTPLATE, 62063
5	0K106-62064-0000	2	BASE: FOOTPLATE SLIDER, 62064
6	0K106-65693-0000	8	BOLT: M5X15, DOME HEAD, 65693
7	0K106-65935-0000	4	NUT: M6, NYLOCK, 65935
8	0K106-65997-0000	2	VELCRO: FOOTPLATE SLIDER, 65997

## 01CY Handle Assembly



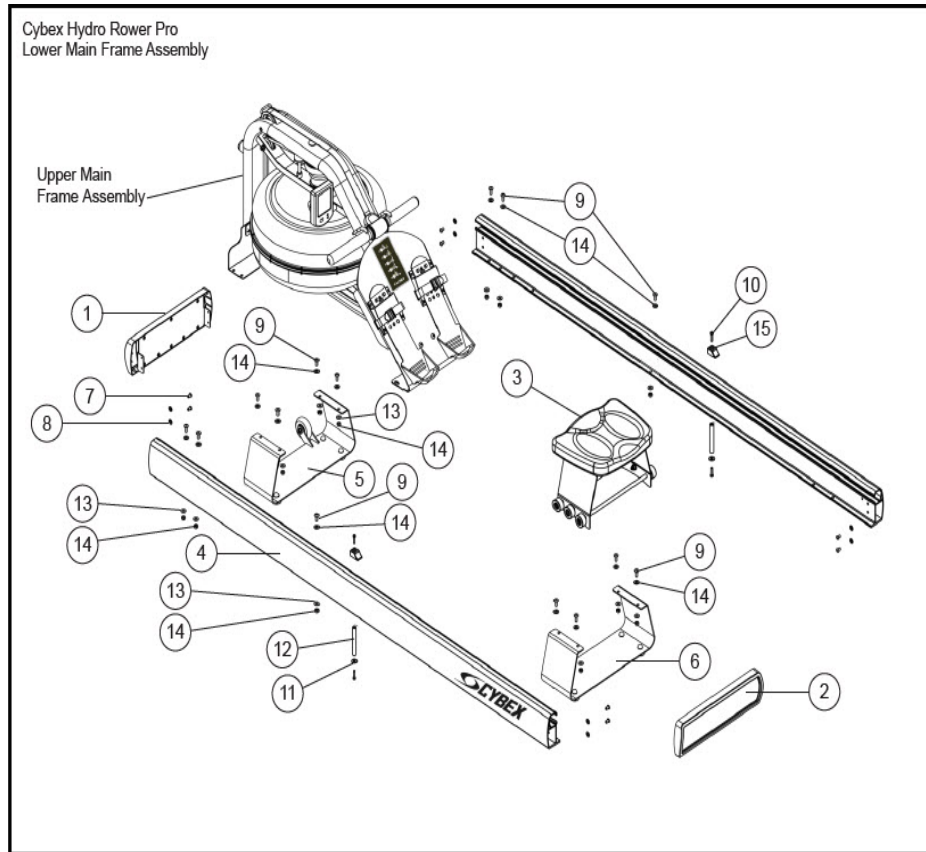
Ref #	Part Number	Qty	Description
1	1007850-0001	1	HANDLE: W/ BELT 2900mm, W/GRIPS
2	0K106-75016-0000	2	RING: O, VX PRO 2, 75016
3	0K106-75017-0000	1	75017, COVER, MIDDLE HANDLE
4	1007851-0001	2	HANDLE: GRIP, HYDRO

# 01CY Leg Assembly



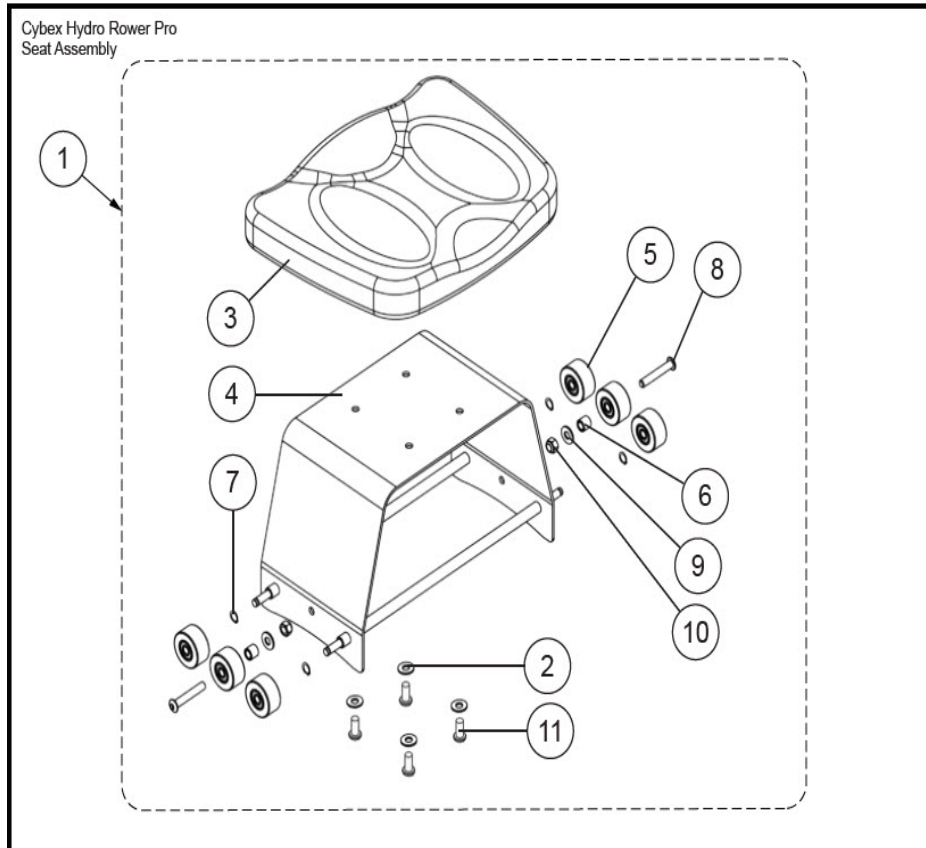
Ref #	Part Number	Qty	Description
1	1007802-0001	1	LEG: FRONT, ASSY, HYDRO
2	1007803-0001	1	LEG: REAR, ASSY, U SHAPE
3	1007868-0001	8	BUMPER: RUBBER
4	1007869-0001	8	BOLT: DOME, M6x15, B
5	1007870-0001	1	LEG: FRONT, HYDRO
6	1007872-0001	1	LEG: REAR, HYDRO
7	1007871-0001	8	NUT: NYLON, CAP, M6, B
8	1005979-0001	4	BOLT: DOME HEAD, M8x45, B
9	0K106-65921-0000	8	WASHER: M8.5X19X1.6-B, 65921
10	0K106-65931-0000	4	NUT: M8-B, NYLOCK, 65931
11	0K106-65935-0000	4	NUT: M6, NYLOCK, 65935
12	0K106-66070-0000	4	66070, WHEEL, TRANSPORT

# 01CY Lower Main Frame Assembly



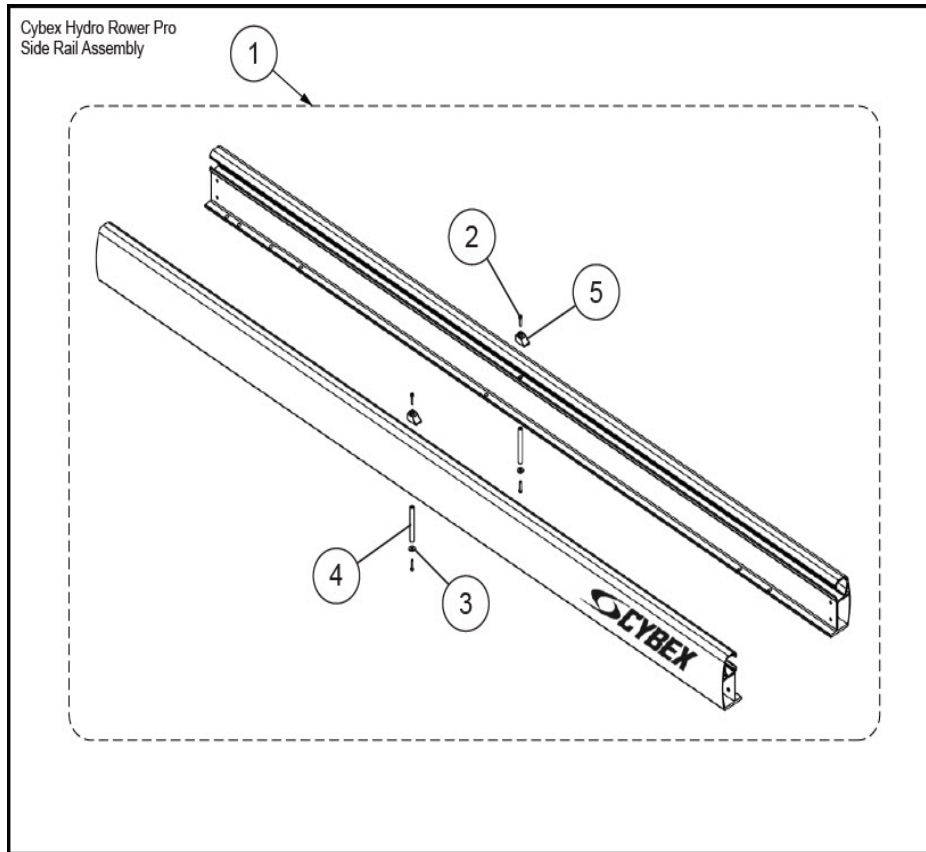
Ref #	Part Number	Qty	Description
1	1007770-0001	1	END CAP: FRONT, HYDRO
2	1007771-0001	1	END CAP: REAR, HYDRO
3	1007800-0001	1	SEAT: COMPLETE, HYDRO
4	1007801-0001	1	RAIL: ASSEMBLY, SEAT, HYDRO
5	1007802-0001	1	LEG: FRONT, ASSY, HYDRO
6	1007803-0001	1	LEG: REAR, ASSY, U SHAPE
7	1007804-0001	8	BOLT: DOME, M6x10, B
8	1007808-0001	8	WASHER: M6x13x1t, B
9	1007809-0001	8	BOLT: DOME, M8x20, B
10	1007810-0001	2	BOLT: HEX, M4x15, B
11	1007811-0001	2	WASHER: M4, B
12	1007812-0001	2	BUSHING: METAL
13	0K106-65921-0000	6	WASHER: M8.5X19X1.6-B, 65921
14	0K106-65931-0000	8	NUT: M8-B, NYLOCK, 65931
15	1007813-0001	2	BUMPER: RAIL, RUBBER

## 01CY Seat Assembly



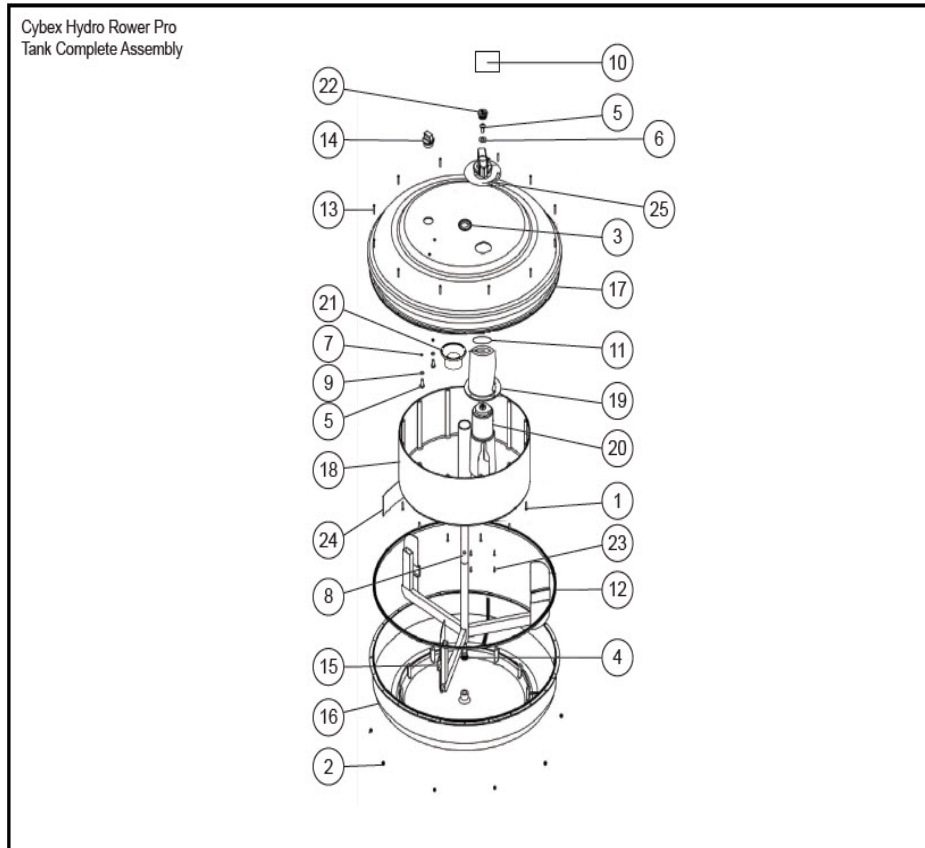
Ref #	Part Number	Qty	Description
1	1007800-0001	1	SEAT: COMPLETE, HYDRO
2	1007808-0001	4	WASHER: M6x13x1t, B
3	0K106-10079-0000	1	SEAT: LS-E28, 10079
4	1007853-0001	1	FRAME: SEAT, HRP
5	1007854-0001	6	WHEEL: SEAT, 20x40
6	1007863-0001	2	BUSHING: 12.7x8.1x12, B
7	1007864-0001	4	CLIP: C, HYDRO
8	1005979-0001	2	BOLT: DOME HEAD, M8x45, B
9	0K106-65921-0000	2	WASHER: M8.5X19X1.6-B, 65921
10	0K106-65931-0000	2	NUT: M8-B, NYLOCK, 65931
11	1006804-0001	4	BOLT: DOME HEAD, M6, 20-B

## 01CY Side Rail Assembly



Ref #	Part Number	Qty	Description
1	1007801-0001	1	RAIL: ASSEMBLY, SEAT, HYDRO
2	1007810-0001	2	BOLT: HEX, M4x15, B
3	1007811-0001	2	WASHER: M4, B
4	1007812-0001	2	BUSHING: METAL
5	1007813-0001	2	BUMPER: RAIL, RUBBER

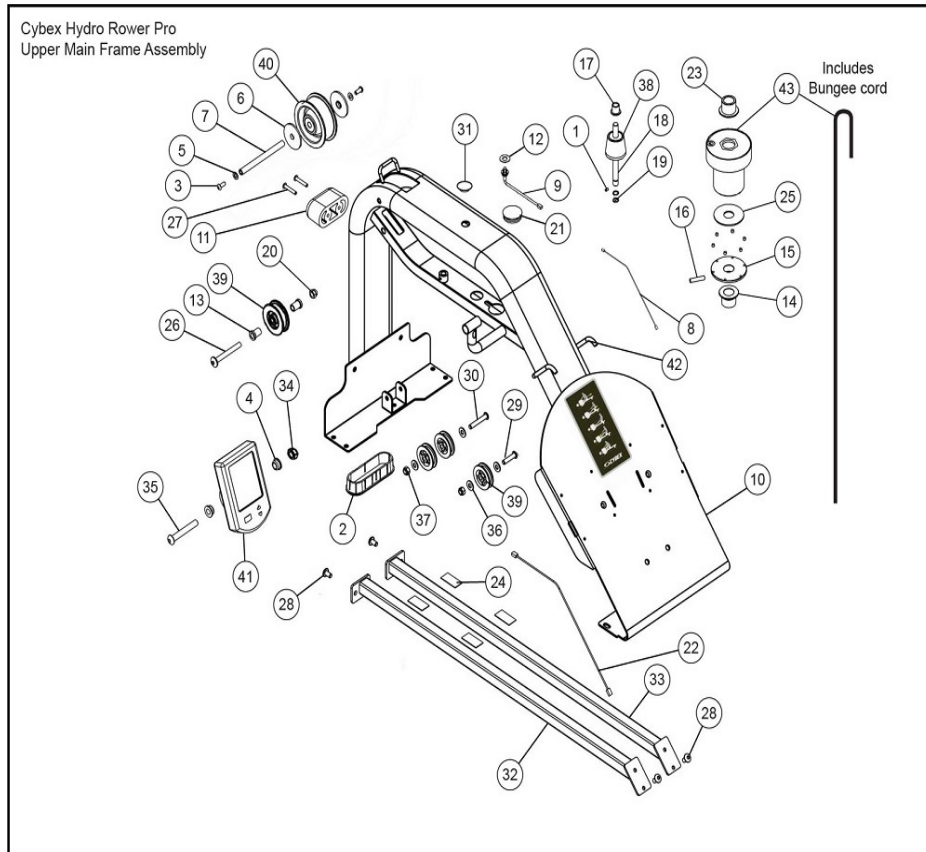
# 01CY Tank Complete Assembly



Ref #	Part Number	Qty	Description
1	0K106-10036-0000	10	SCREW: M3X20 SUS, TAPPING, COUNTER SUNK, 10036
2	0K106-60133-0000	10	60133, NUT, BYLOCK, M3, SUS
3	0K106-60137-0000	1	60137, SPACER, SHAFT, IMPELLER, TANK, 19.9X40
4	0K106-60138-0000	1	60138, CAP, END, IMPELLER
5	0K106-60139-0000	10	60139, SCREW, INTERNAL, TANK, M6X15, SUS
6	0K106-60146-0000	1	60146, WASHER, M6X16X1, SUS
7	0K106-60147-0000	1	60147, RING, O 9.5X6.5X1.5
8	0K106-60304-0000	1	60304, SHAFT, FLYWHEEL, UPPER
9	0K106-60606-0000	1	60606, SPACER, PLASTIC, M6X15X25-B
10	0K106-61001-0000	1	61001, STRIP, TANK BONDING, 3M, 40x40MM, VHB
11	0K106-61285-0000	1	61285, SPACER, RUBBER
12	1008749-0001	1	SEAL: TANK, RING, YELLOW, 499x5.8
13	0K106-63132-0000	10	63132, BOLT, ALLEN KEY, M3X20, SUS
14	0K106-63144-0000	1	63144, PLUG, TANK, HS
15	0K106-65971-0000	1	65971, IMPELLER, AR
16	1008750-0001	1	TANK: SHELL, LOWER, W/DECAL
17	1008751-0001	1	TANK: SHELL, UPPER, W/DECAL, SPACER
18	0K106-65982-0000	1	65982, SHELL, TANK, INNER RESERVE
19	1008752-0001	1	CUP: TANK, OUTER, ADJUSTER
20	1008753-0001	1	CUP: TANK, INNER, ADJUSTER
21	1008754-0001	1	SEAL: RUBBER
22	0K106-65991-0000	1	65991, CAP, END, ADJUSTER, KNOB

<b>Ref #</b>	<b>Part Number</b>	<b>Qty</b>	<b>Description</b>
23	0K106-65992-0000	10	65992, BOLT, COUNTER SUNK, M3X12, SUS
24	0K106-63006-0000	1	63006, DECAL, HS TANK LEVEL
25	0K106-65885-0000	1	65885, DECAL, AR RESISTANCE, LF

# 01CY Upper Main Frame Assembly



Ref #	Part Number	Qty	Description
1	0K106-10052-0000	1	10052, SCREW, GRUB, M4X6, B
2	1007834-0001	1	END CAP: 118x40mm
3	1007804-0001	2	BOLT: DOME, M6x10, B
4	0K106-10114-0000	2	BUSHING: 20X16X13X10, PLASTIC, 10114
5	1007808-0001	2	WASHER: M6x13x1t, B
6	1007819-0001	2	SPACER: PLASTIC, D46x4T
7	1007820-0001	1	SHAFT: AXEL, 10mm
8	1005945-0001	1	CABLE: SENSOR, CONNECTING, 300mm
9	1005946-0001	1	SENSOR: CRANK, 100mm
10	1007821-0001	1	FRAME: UPPER, W/DECAL, HYDRO
11	1007824-0001	1	FEET: RUBBER, FRONT
12	0K106-24005-0000	1	24005, SPRING WASHER M12
13	0K106-60108-0000	2	60108, SPACER, BUNGEE PULLEY, 8MM
14	0K106-60113-0000	1	60113, BUSHING, MAIN SHAFT, OIL, 38X20X22
15	0K106-60114-0000	1	60114, RING, MAGNET & 6XMAGNET, 60124
16	0K106-60120-0000	1	60120, PIN, ROLL, M6X30
17	0K106-60123-0000	1	60123, FRAME MOUNT, UPPER, IDLER SHAFT
18	0K106-60125-0000	1	60125, SHAFT, PULLEY, IDLER
19	0K106-60126-0000	1	60126, CLIP, C, 10MM
20	0K106-60129-0000	1	60129, NUT DOME HEAD M8
21	0K106-60145-0000	1	60145, PLUG, FRAME, 38.1MM
22	0K106-60148-0000	1	60148, HEART RATE LEAD, 400mm

Ref #	Part Number	Qty	Description
23	0K106-60150-0000	1	60150, BUSHING, NYLON, MAIN SHAFT
24	0K106-61010-0000	4	61010, STRIP, TANK BONDING, 3M, VHB, 20x40mm
25	0K106-61066-0000	1	61066, WASHER, PLASTIC, M5920.1X2T
26	0K106-61228-0000	1	
27	1007826-0001	2	SCREW: DOME, M5x30
28	0K106-62807-0000	4	62807, BOLT, DOME HEAD, M8x15
29	0K106-62810-0000	1	62810, BOLT, DOME HEAD, M8X35, B
30	1005981-0001	1	BOLT: DOME HEAD, M8x55, B
31	0K106-65125-0000	1	65125, CAP, END, RUBBER, MAIN FRAME
32	1007827-0001	1	BRACKET: STRUT, TANK, LEFT, HRP
33	1007828-0001	1	BRACKET: STRUT, TANK, RIGHT, HRP
34	0K106-65910-0000	1	NUT: M10, NYLOCK, 65910
35	0K106-65918-0000	1	BOLT: M10X60, DOME HEAD, 65918
36	0K106-65921-0000	4	WASHER: M8.5X19X1.6-B, 65921
37	0K106-65931-0000	2	NUT: M8-B, NYLOCK, 65931
38	0K106-65960-0000	1	WHEEL, IDLE/BEARING: 6000ZZ X 2(60112), 65960
39	0K106-65988-0000	3	65988, PULLEY, BUNGEE, BEARING, SPACER
40	1007829-0001	1	PULLEY: BELT, 6600zz BEARINGS
41	1007830-0001	1	CONSOLE: HYDRO, NO USB
42	0K106-90104-0000	1	90104, COVER, RUBBER, HOOK
43	1007832-0001	1	PULLEY: BELT/BUNGEE, ASSY

