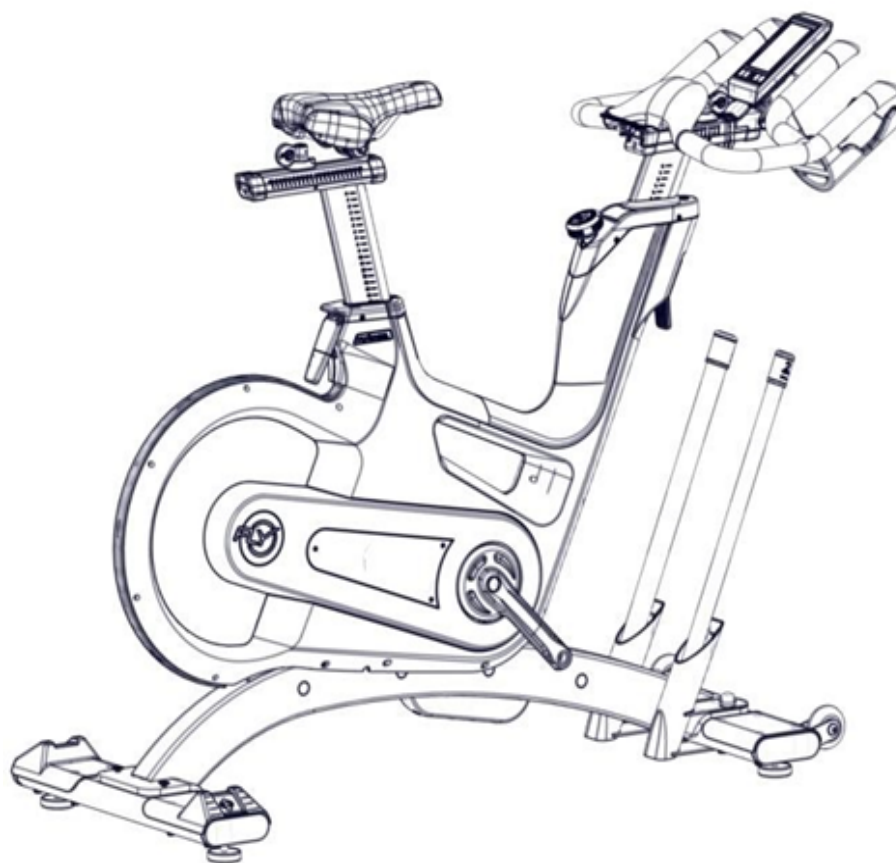


# GROUP EXERCISE BIKE IC7 BASE/CONSOLE, LF BRND

IC-LFIC7B2-01

## Parts Manual

1/5/2019 14:23:59 PM



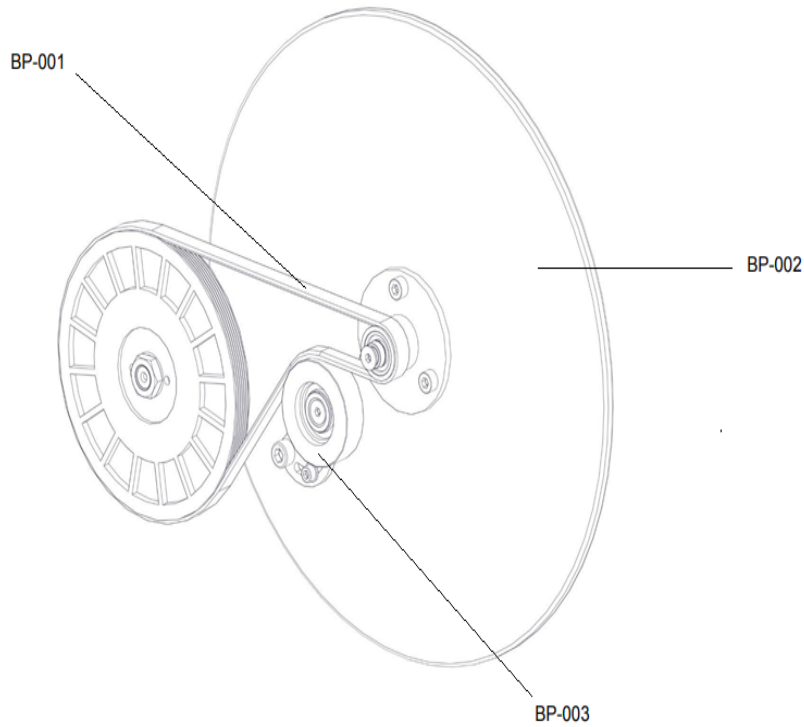
**Table of Contents**

---

<a href="#">Belt and Pulley</a> .....	3
<a href="#">Brake System</a> .....	4
<a href="#">Drive System</a> .....	5
<a href="#">Handle Bars</a> .....	6
<a href="#">Handle Bar Adjustment</a> .....	7
<a href="#">Seat Mechanism</a> .....	8
<a href="#">Seat Post</a> .....	9
<a href="#">Shrouds</a> .....	10
<a href="#">Stabilizers and Stretch Kits</a> .....	11
<a href="#">Wiring</a> .....	12

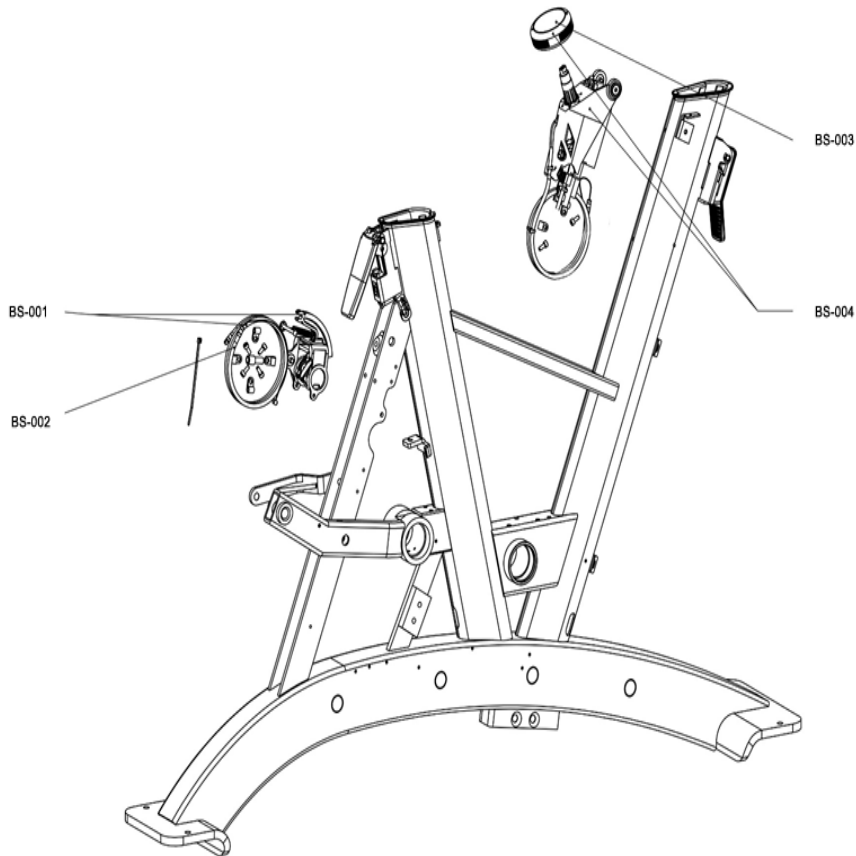
## Belt and Pulley

---



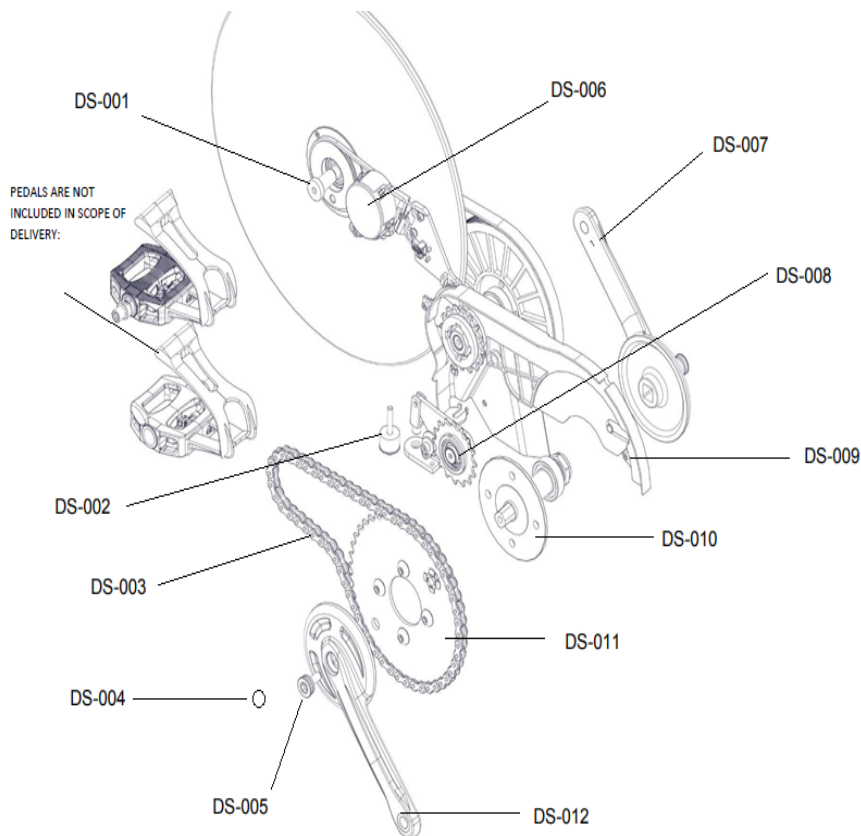
Ref #	Part Number	Qty	Description
BP-001	150-03-00044-01	1	POLY V BELT, 4PK 895, SECONDARY DRIVE IC5 & IC7
BP-002	150-01-00109-01	1	FLYWHEEL ASSEMBLY FOR FWS IC7 STUDIO
BP-003	150-01-00070-02	1	SECONDARY DRIVE PLASTIC IDLER PULLEY ASSEM IC5 & IC7

## Brake System



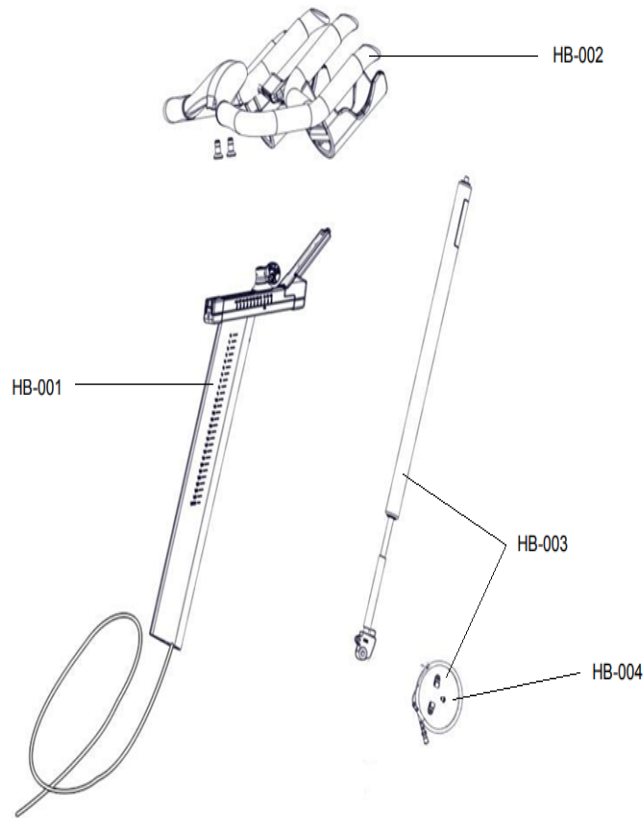
Ref #	Part Number	Qty	Description
BS-001	190-01-00009-01	1	MAGNETIC BRAKE ASSEMBLY FLYWHEEL FOR IC5 & IC7
BS-002	190-01-00013-01	1	BOWDEN CABLE, MAGNETIC BRAKE SYSTEM IC5 & IC7
BS-003	130-01-00025-01	1	BRAKE DIAL KIT 55MM FOR FWS
BS-004	130-01-00024-01	1	COMPLETE UPPER BRAKE ASSEMBLY FOR FWS IC7

## Drive System



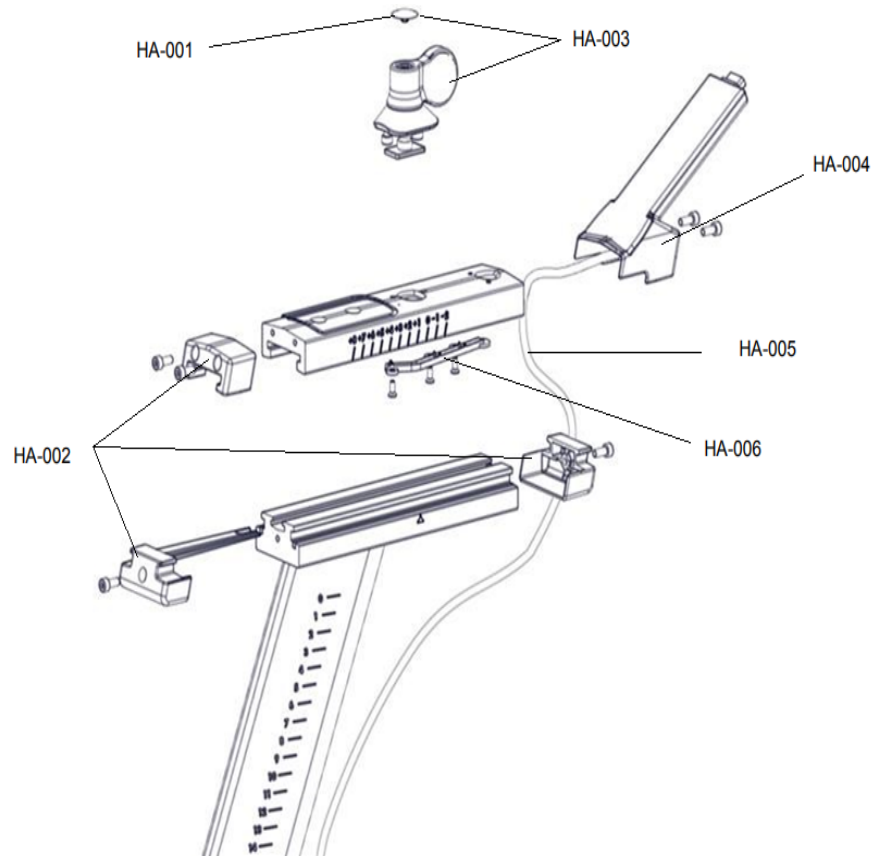
Ref #	Part Number	Qty	Description
DS-001	150-01-00082-01	1	FLYWHEEL HUB ASSEMBLY FOR IC8
DS-002	150-01-00111-01	1	ATTENUATOR INCL. ADJUSTMENT BOLT FOR IC8 AND FWS IC7 STUDIO
DS-003	150-02-00018-01	1	CHAIN 1/2" X 3/16" FOR IC8 AND IC7 FWS STUDIO
DS-004	180-01-00067-01	1	CRANK BOLT CAP (2PIECE) FOR FWS
DS-005	900-00-90008-20	1	CRANK MOUNTING BOLT, M8X20X1.25P
DS-006	150-01-00017-02	1	GENERATOR ASSEMBLY FOR IC7
DS-007	150-03-00127-01	1	LEFT CRANK ARM FOR FLYWHEEL
DS-008	150-03-00119-01	1	SPROCKET 16 TEETH 1/2 " X 3/16" FOR FWS IC7 STUDIO
DS-009	150-01-00090-01	1	FENDER ASSEMBLY FOR CHAIN DRIVE FOR IC8 AND IC7 FWS STUDIO
DS-010	150-01-00021-01	1	BOTTOM BRACKET REPLACEMENT KIT FOR IC5 & IC7
DS-011	150-01-00079-01	1	CHAIN RING 44 TEETH, INCL. MOUNTING BOLTS AND MAGNET FOR IC8 AND IC7 FWS STUDIO
DS-012	150-03-00126-01	1	RIGHT CRANK ARM FOR FLYWHEEL

## Handle Bars



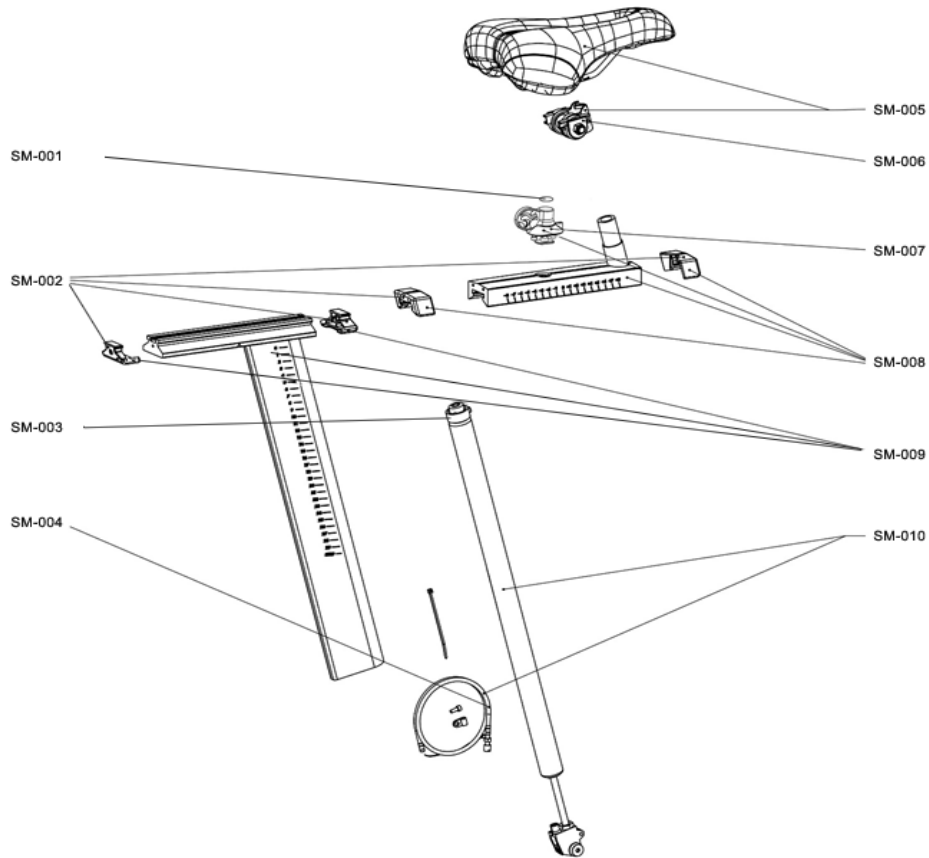
Ref #	Part Number	Qty	Description
HB-001	110-01-00073-01	1	UPPER HANDLEBAR SLIDER AND STEM ASSEMBLY FOR FWS
HB-002	110-01-00033-01	1	HANDLEBAR WITH SOFT PVC COATING 30MM MOUNTING PITCH AND MOUNTING BOLTS FOR FWS
HB-003	180-01-00025-01	1	GASDAMPER KIT "SUSPA", HANDLEBAR, FOR IC5 & IC7
HB-004	190-01-00010-01	1	BOWDEN CABLE VERTICAL HBAR ADJUST FOR IC5 & IC7

## Handle Bar Adjustment



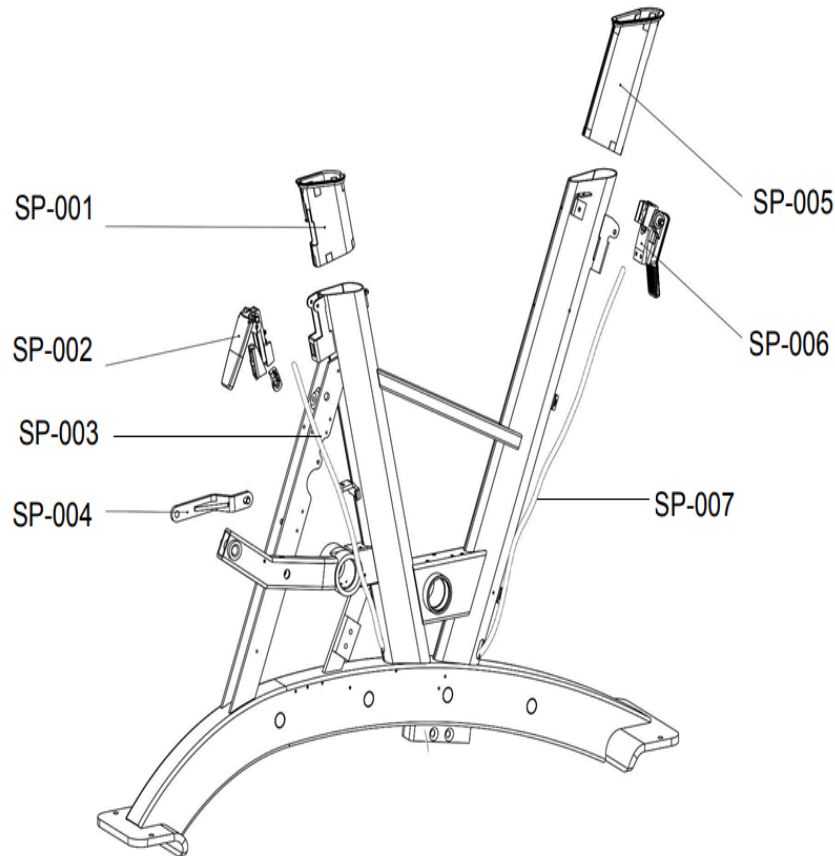
Ref #	Part Number	Qty	Description
HA-001	190-01-00046-01	1	THUMB LOCK LEVER CAP HORIZONTAL ADJUST (10 PCS) IC4/IC5/IC6/IC7
HA-002	190-01-00082-01	1	END CAP SET HORIZONTAL HANDLEBAR SLIDER FOR IC4/I
HA-003	110-01-00032-01	1	THUMB LOCK HANDLE ASSEMBLY FOR HORIZONTAL HANDLEBAR ADJUSTMENTFOR FWS
HA-004	110-01-00059-01	1	CONSOLE BRACKET 2-PIECE PLASTIC FOR IC5/IC6/IC7
HA-005	170-01-00026-01	1	CONSOLE CABLE INCL. MOUNTING PARTS FOR IC7
HA-006	110-01-00011-02	1	CABLE COVER KIT UPPER HORIZONTAL HBAR SLIDER IC5/IC6/IC7

## Seat Mechanism



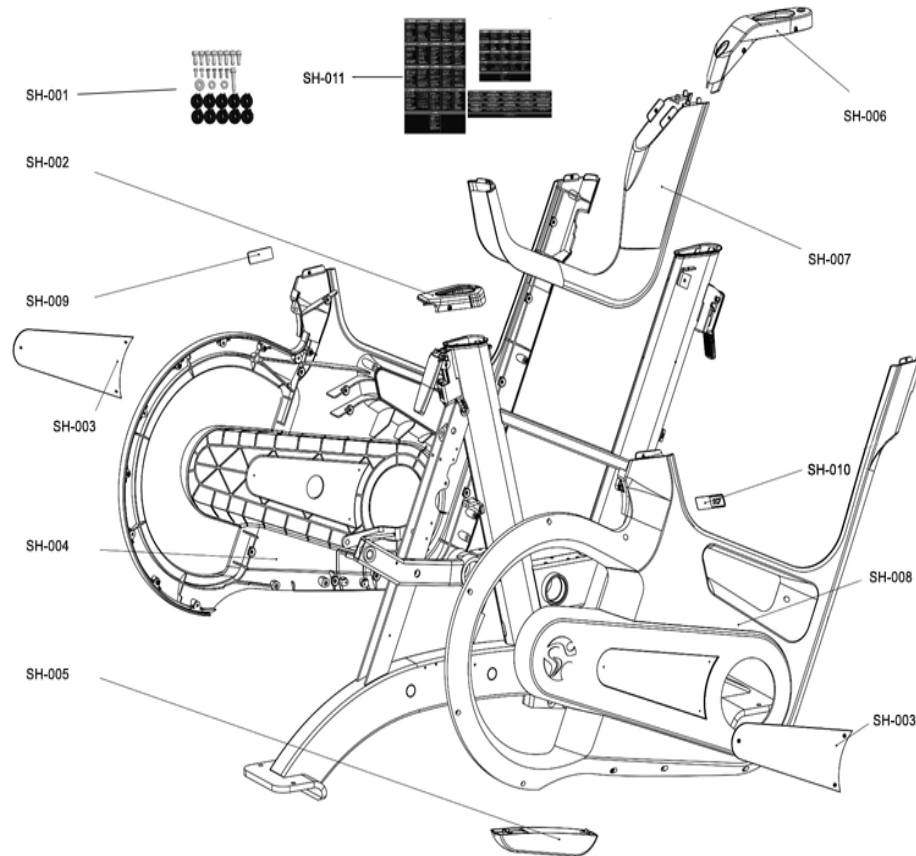
Ref #	Part Number	Qty	Description
SM-001	190-01-00046-01	1	THUMB LOCK LEVER CAP HORIZONTAL ADJUST (10 PCS) IC4/IC5/IC6/IC7
SM-002	190-01-00036-02	1	END CAP SET NARROW HORIZONTAL SEATPOST SLIDER FOR IC4 & IC5 & IC6 & IC7 & IC8
SM-003	190-01-00029-01	1	GASDAMPER ALUMINIUM ADAPTER DRUM SEATPOST IC5 & IC7
SM-004	190-01-00011-01	1	BOWDEN CABLE VERTICAL SEATPOST ADJUST IC5 & IC7
SM-005	120-01-00039-01	1	SADDLE BLACK FOR FWS
SM-006	120-01-00017-01	1	SADDLE CLAMP WITHOUT STOPPER
SM-007	120-01-00038-01	1	THUMB LOCK HANDLE ASSEMBLY FOR HORIZONTAL SEATPOST ADJUSTMENTFOR FWS
SM-008	120-01-00037-01	1	NARROW UPPER SEATPOST SLIDER ASSEMBLYFOR FWS IC7 STUDIO
SM-009	120-01-00013-02	1	NARROW LOWER SEATPOST ASSEMBLY FOR IC5 & IC7
SM-010	180-01-00024-01	1	GASDAMPER KIT "SUSPA" SEATPOST, FOR IC5/IC7

## Seat Post



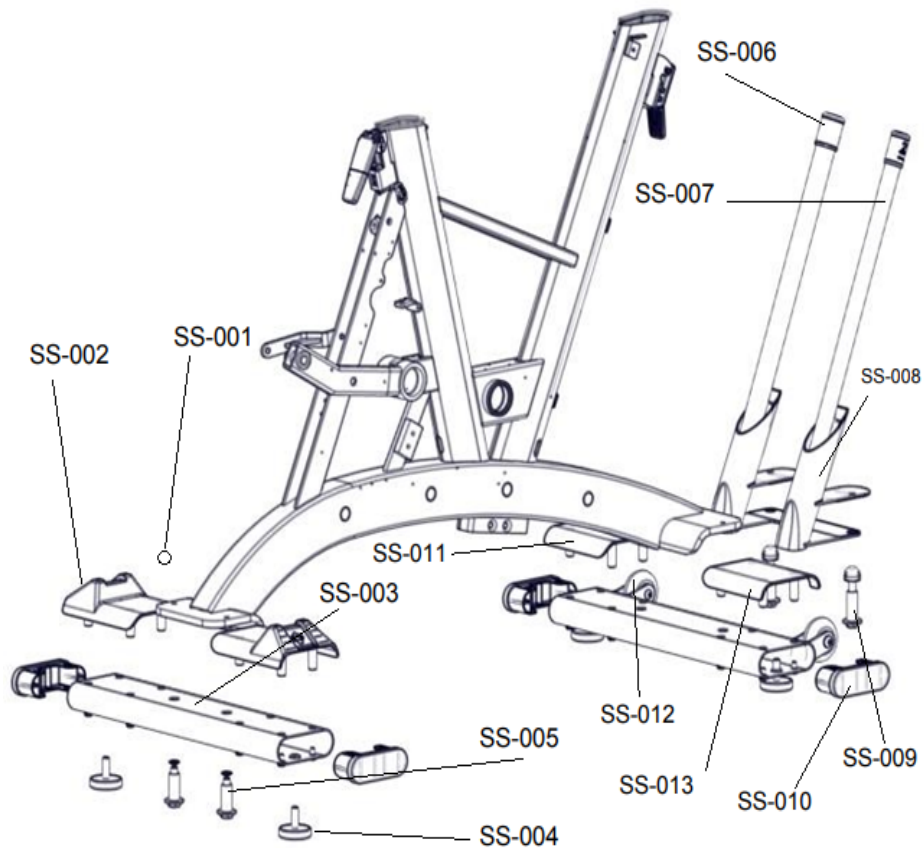
Ref #	Part Number	Qty	Description
SP-001	100-01-00006-01	1	INLAY SLEEVE SET SEATPOST TUBE FOR IC5 & IC7
SP-002	100-01-00016-01	1	VERTICAL SEATPOST ADJUSTMENT ASSEMBLY FOR FWS IC7 STUDIO
SP-003	190-01-00011-01	1	BOWDEN CABLE VERTICAL SEATPOST ADJUST IC5 & IC7
SP-004	100-01-00009-01	1	LEFT FLYWHEEL SUPPORT ARM KIT FOR IC5 & IC7
SP-005	100-01-00004-01	1	INLAY SLEEVE SET HANDLEBAR TUBE FOR IC5 & IC7
SP-006	100-01-00015-01	1	VERTICAL HANDLEBAR ADJUSTMENT ASSEMBLY FOR FWS IC7 STUDIO
SP-007	190-01-00010-01	1	BOWDEN CABLE VERTICAL HBAR ADJUST FOR IC5 & IC7

# Shrouds



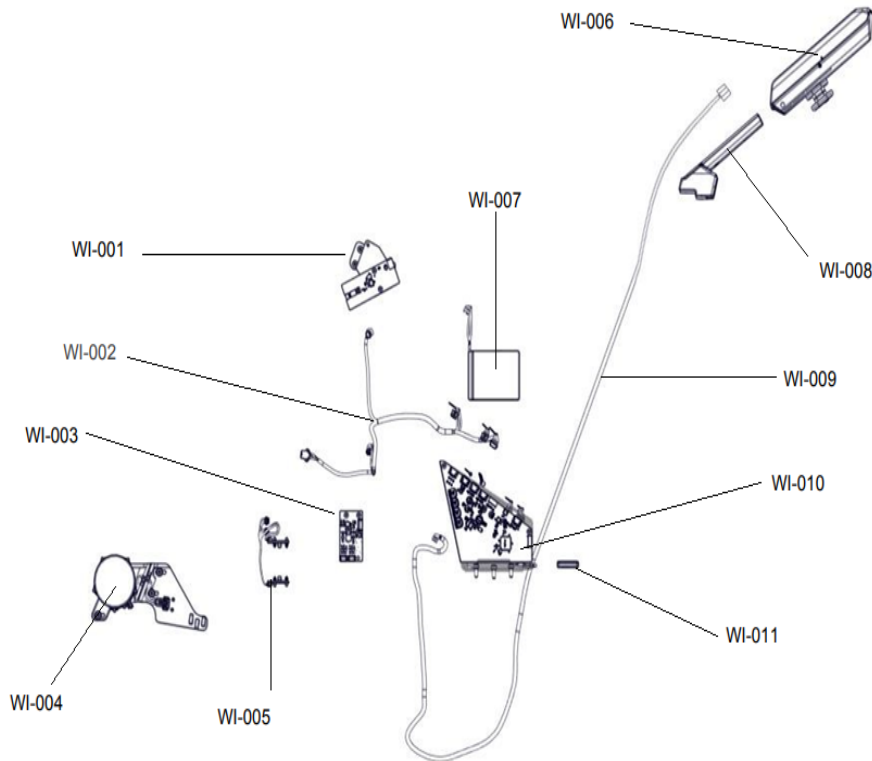
Ref #	Part Number	Qty	Description
SH-001	190-01-00030-01	1	ASSEM PARTS, SHROUD, BOLTS AND GROMMETS IC5 & IC7
SH-002	160-01-00009-01	1	SEATPOST TOP COVER KIT FOR IC5 & IC7
SH-003	160-01-00068-01	1	LOGO PLATE INSERT KIT, RIGHT AND LEFT FOR FWS IC7 STUDIO
SH-004	160-01-00029-01	1	LEFT SIDE MAIN SHROUD KIT INCL. ALUMINIUM RING FOR FWS IC7 STUDIO
SH-005	160-01-00014-01	1	GAS DAMPER BRACKET COVER KIT FOR IC5 & IC7
SH-006	160-01-00008-01	1	HANDLEBAR TOP COVER KIT FOR IC5 & IC7
SH-007	160-01-00007-01	1	TOP MAIN COVER KIT FOR IC5 & IC7
SH-008	160-01-00028-01	1	RIGHT SIDE MAIN SHROUD KIT FOR FWS IC7 STUDIO

## Stabilizers and Stretch Kits



Ref #	Part Number	Qty	Description
SS-001	190-01-00018-01	1	STABILIZER BRACKET POP OUT COVER (5 PCS) IC3 & IC5 & IC7
SS-002	140-01-00006-01	1	REAR STABILIZER STRETCH PLATE KIT IC3 & IC5 & IC7
SS-003	140-02-00002-01	1	REAR STABILIZER TUBE FOR IC3 & IC5 & IC7
SS-004	190-01-00027-01	1	LEVELING FEET RUBBER 75 SHORE (2 PCS) IC2 & IC3 & IC5 & IC7
SS-005	190-01-00004-01	1	STABILIZER KIT ( 1X BOLT WASHER CAP SLEEVE) IC3 & IC5 & IC7
SS-006	180-01-00051-01	1	BATON 4 POUND FOR FWS
SS-007	180-01-00050-01	1	BATON 2 POUND FOR FWS
SS-008	180-01-00047-01	1	BATON HOLDER INCL. MOUNTING PARTS FOR FWS IC7 STUDIO
SS-009	180-01-00048-01	1	MOUNTING BOLTS FOR BATON HOLDER FOR FWS
SS-010	140-03-00001-01	1	STABILIZER END CAP (FRONT & REAR) IC3 & IC5 & IC7
SS-011	140-01-00004-01	1	FRONT STABILIZER PROTECTION PLATE KIT LEFT IC3 & IC5 & IC7
SS-012	140-01-00003-01	1	TRANSPORTATION WHEEL ASSEM IC2 & IC3 & IC5 & IC7
SS-013	140-01-00005-01	1	FRONT STABILIZER PROTECTION PLATE KIT RIGHT IC3 & IC5 & IC7

# Wiring



Ref #	Part Number	Qty	Description
WI-001	170-02-00016-05	1	GEAR MODULE PCB FOR IC5/6/7/8; 2nd GENERATION
WI-002	170-01-00016-01	1	MAIN CABLE HARNESS KIT WITH IDENTIFICATION STICKERS IC7
WI-003	170-02-00018-04	1	GAMMA SENSOR PCB FOR IC8, IC7
WI-004	150-01-00017-02	1	GENERATOR ASSEMBLY FOR IC7
WI-005	170-01-00006-01	1	PHOTO INTERRUPTER PCB KIT FOR IC7
WI-007	170-03-00012-01	1	LIPO RECHARGABLE BATTERY 5000MAH/ 3.7V FOR IC7
WI-008	110-01-00059-01	1	CONSOLE BRACKET 2-PIECE PLASTIC FOR IC5/IC6/IC7
WI-009	170-01-00026-01	1	CONSOLE CABLE INCL. MOUNTING PARTS FOR IC7
WI-010	170-02-00042-01	1	POWER MODULE PCB, CONFORMAL COATED
WI-011	170-02-00008-01	1	REED SWITCH FOR IC5 & IC7

