

# Upright Bike Base

INCS-ALLXX-01PF

## Parts Manual

1/5/2019 14:32:38 PM



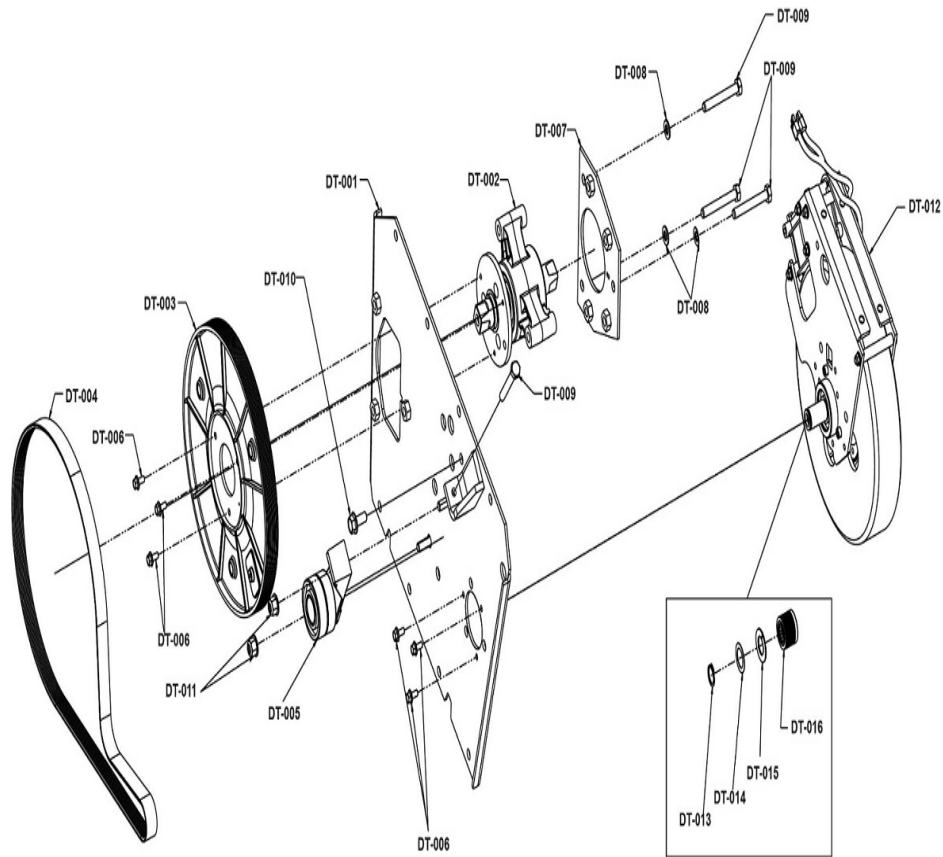
**LifeFitness**  
WHAT WE LIVE FOR

**Table of Contents**

---

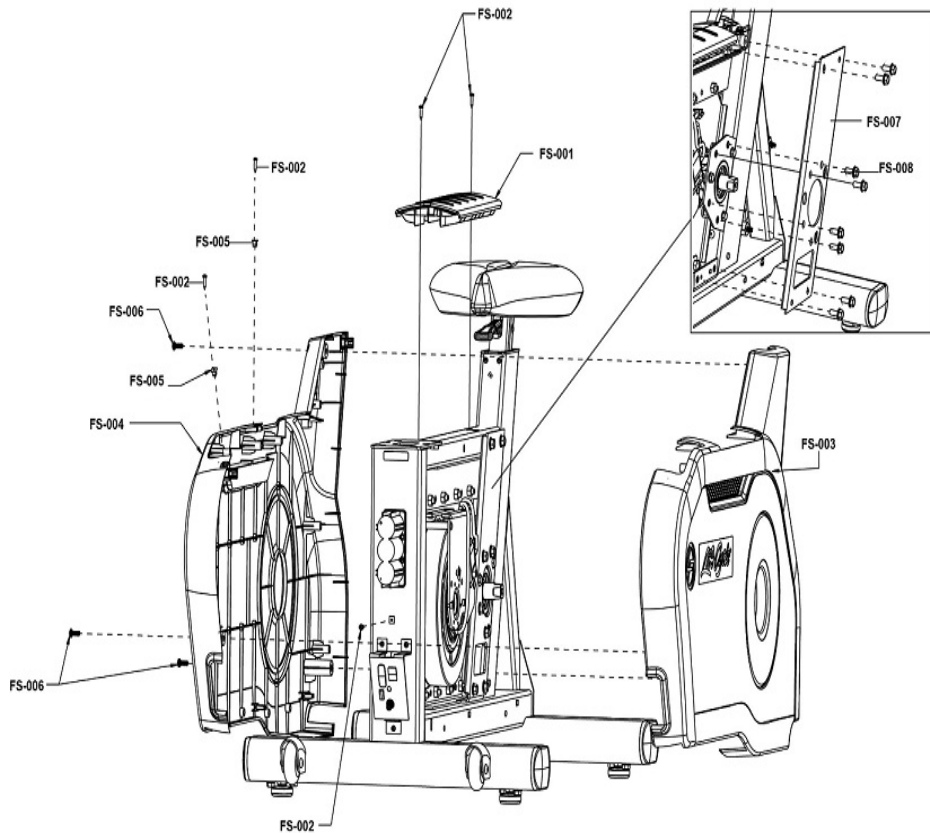
[Drivetrain.....](#)3  
[Frame Shrouds.....](#)4  
[Handlebars.....](#)5  
[Leg Leveler.....](#)6  
[Pedals and Crank Arms.....](#)7  
[Plugs.....](#)8  
[Seat.....](#)9  
[Upper Shrouds.....](#)10  
[WD Upright Base.....](#)11  
[WD Upright Discover.....](#)12  
[WD Upright Integrity.....](#)13

# Drivetrain



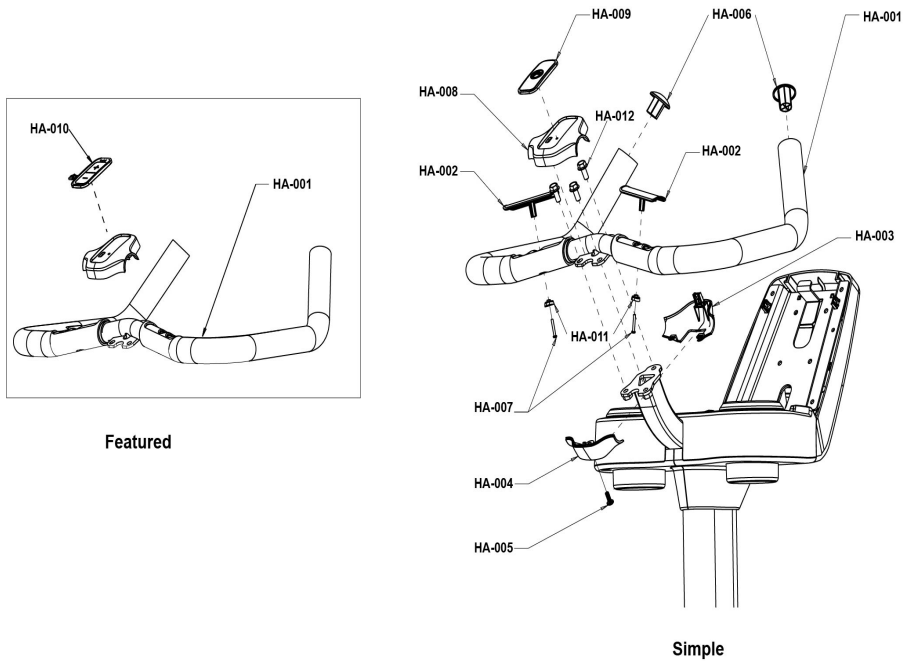
Ref #	Part Number	Qty	Description
DT-001	1000711-0001	1	WELDMENT: DRIVETRAIN PLATE
DT-002	AK66-00151-0000	1	HUB ASSY: CRANKSHAFT, UNIPLATE
DT-003	0K76-01068-0000	1	Pulley
DT-004	1000716-0001	1	BELT: POLY-V, 430 J8
DT-005	1001619-0001	1	ASSEMBLY: IDLER
DT-006	0017-00101-2151	6	SCREW: M5 X 0.8 6G6G X 12, FLANGE, HEAD, CS, G5, CD
DT-007	1000714-0001	1	WELDMENT: ADAPTER, HUB
DT-008	0017-00104-0469	3	Hardware: Flat Washer 16MM OD
DT-009	0017-00101-2002	4	Hardware: Tension Bolt 60MM
DT-010	0017-00101-2150	1	SCREW: M8 X 1.25 6G6H X 20, UHS, HXW, CS, ST, ZB
DT-011	1003388-0001	2	NUT: M8 X 1.25-6H, DIN, UNF, HEX, LOCKNUT
DT-012	1003381-0001	1	GENERATOR: BRAKE W/EXT. CLUTCH
DT-013	0017-00100-0257	1	Retaining Ring
DT-014	0017-00104-0498	1	Hardware: Shaft Washer Small .734' OD
DT-015	0K66-01237-0000	1	Hardware: Shaft Washer Large
DT-016	AK66-00165-0000	1	NC: PULLEY ASSY: W/CLUTCH, UNIPLATE, ISO/DIN

# Frame Shrouds



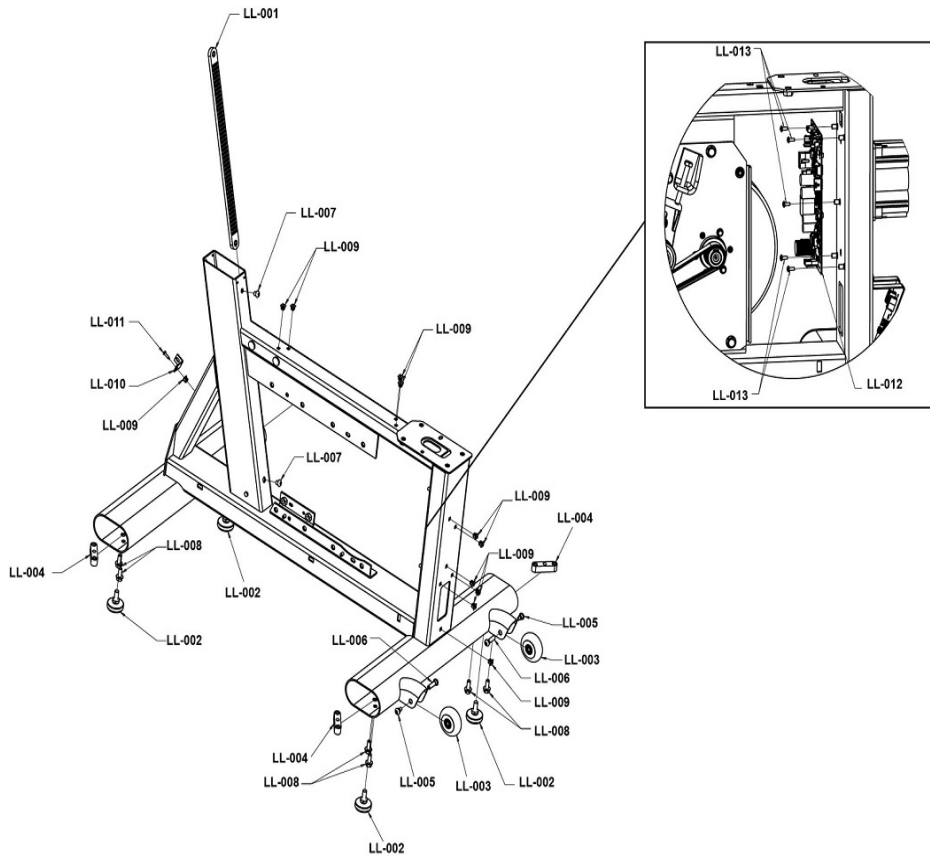
Ref #	Part Number	Qty	Description
FS-001	1001595-0700	1	SHROUD: TOP COVER, BLACK
FS-002	0017-00101-1796	5	Hardware: Mounting Screw 19 MM
FS-003	1001592-2400	1	SHROUD ASSEMBLY: MAIN, LEFT, CHARCOAL GREY
FS-004	1001591-2400	1	SHROUD ASSEMBLY: MAIN, RIGHT, CHARCOAL GREY
FS-005	0017-00042-1147	2	Hardware: Nylon Grommet
FS-006	0017-00101-2138	3	SCREW: M6 X 1.0 X 16, DIN, PHL, PAN, MS, ST, ZB
FS-007	1001547-0001	1	SHEET METAL: HUB SUPPORT
FS-008	0017-00101-2150	8	SCREW: M8 X 1.25 6G6H X 20, UHS, HXW, CS, ST, ZB

# Handlebars



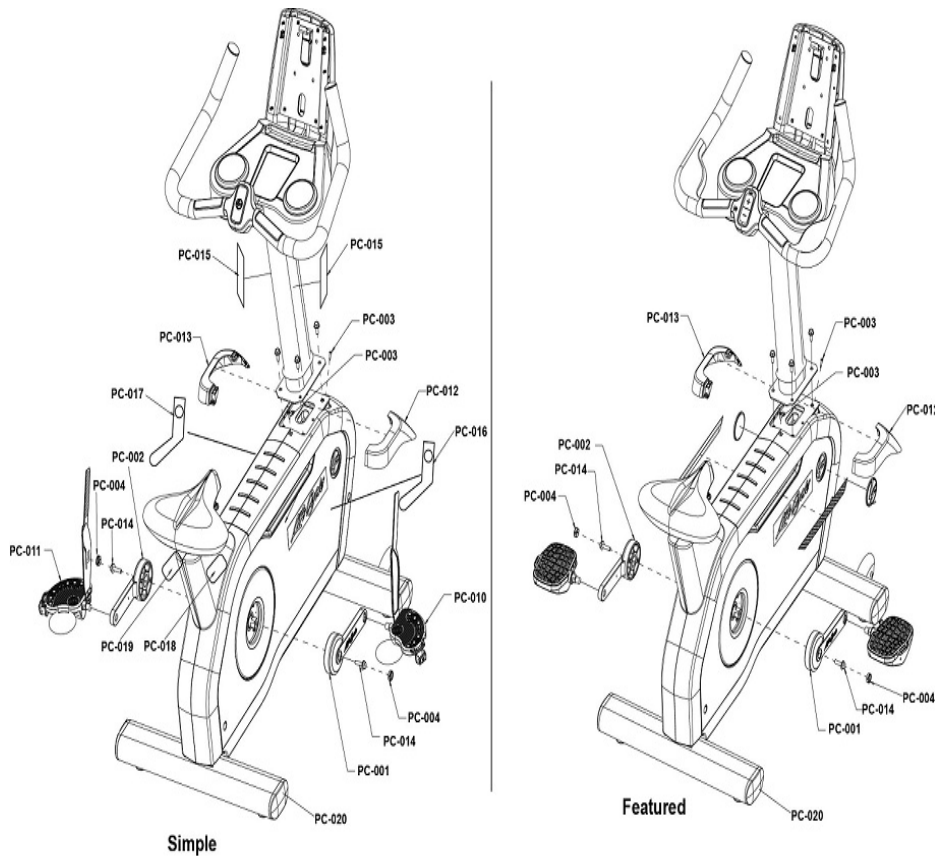
Ref #	Part Number	Qty	Description
HA-001	1001562-0700	1	HANDLEBAR: UPRIGHT, SIMPLE, BLACK
HA-002	AK63-00014-2404	2	ELECTRODE: INSERT MOLDED; CHGR
HA-003	1001631-2400	1	SHROUD: ACTIVITY ZONE, BOTTOM FRONT, CHARCOAL GREY
HA-004	1001630-2400	1	SHROUD: ACTIVITY ZONE, BOTTOM REAR, CHARCOAL GREY
HA-005	0017-00101-2138	1	SCREW: M6 X 1.0 X 16, DIN, PHL, PAN, MS, ST, ZB
HA-006	0K63-01114-0000	2	Cap
HA-007	0017-00101-1720	2	Hardware: Mounting Screw 1"
HA-008	1001629-2400	1	SHROUD: ACTIVITY ZONE, TOP FEATURED, CHARCOAL GREY
HA-009	1001632-0700	1	SHROUD: ACTIVITY ZONE, SIMPLE FILLER, BLACK
HA-011	0K66-01141-0001	2	PLUG: INSULATOR, BLACK
HA-012	0017-00101-2150	3	SCREW: M8 X 1.25 6G6H X 20, UHS, HXW, CS, ST, ZB

# Leg Leveler



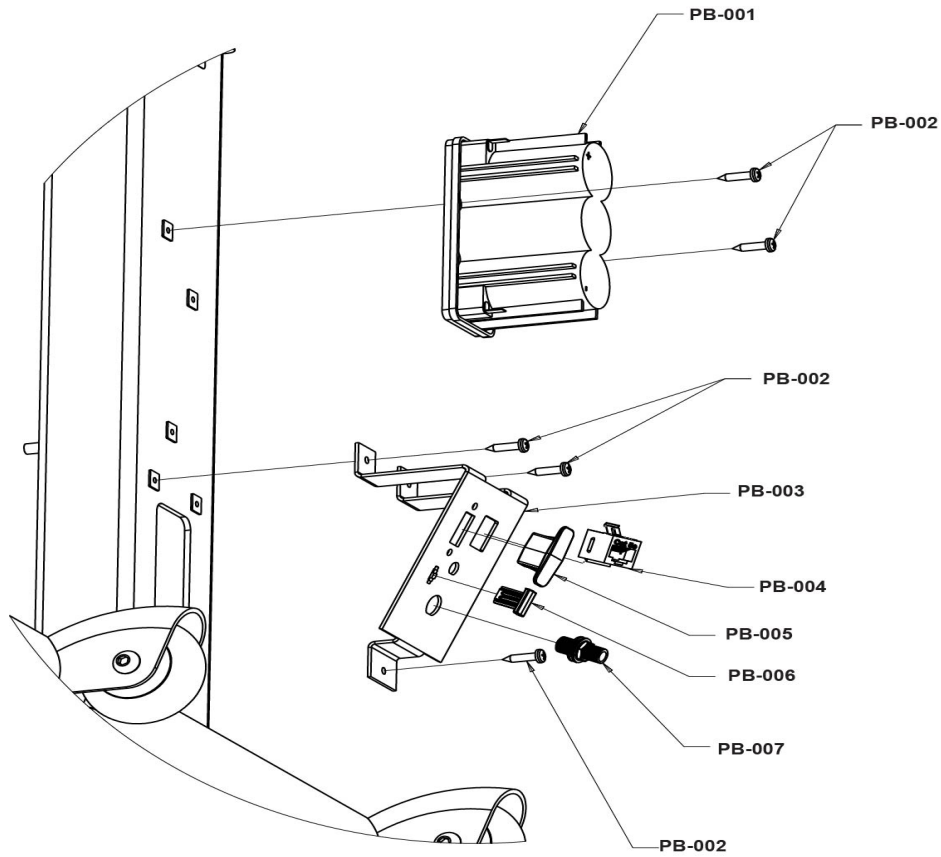
Ref #	Part Number	Qty	Description
LL-001	0K77-01033-0700	1	Latch Rack
LL-002	AK62-00124-0000	4	Leg Leveler
LL-003	1005421-0000	2	ASSEMBLY: FRONT ROLLER
LL-004	1001040-0001	4	BLOCK: LEVELER
LL-005	1001038-0001	2	SCREW: M6 X 1.0, SHOULDER
LL-006	1001628-0001	2	NUT: SHAFT, BARREL, 8MM DIA, 30MM LONG
LL-007	0017-00101-2087	2	SCREW: M8 X 1.25 6G6G X 10, HXS, BUT, CS, ST, ZB
LL-008	0017-00101-2150	8	SCREW: M8 X 1.25 6G6H X 20, UHS, HXW, CS, ST, ZB
LL-009	0017-00042-1147	11	Hardware: Nylon Grommet
LL-010	1002971-0001	1	BRACKET: SHROUD CLIP
LL-011	0017-00101-1796	1	Hardware: Mounting Screw 19 MM
LL-012	1003117-0011	1	PCB ASSEMBLY: RESISTANCE CONTROL
LL-013	0017-00101-1989	5	Hardware: M4 6G6G X 10 DIN PHI PAN ZN

# Pedals and Crank Arms



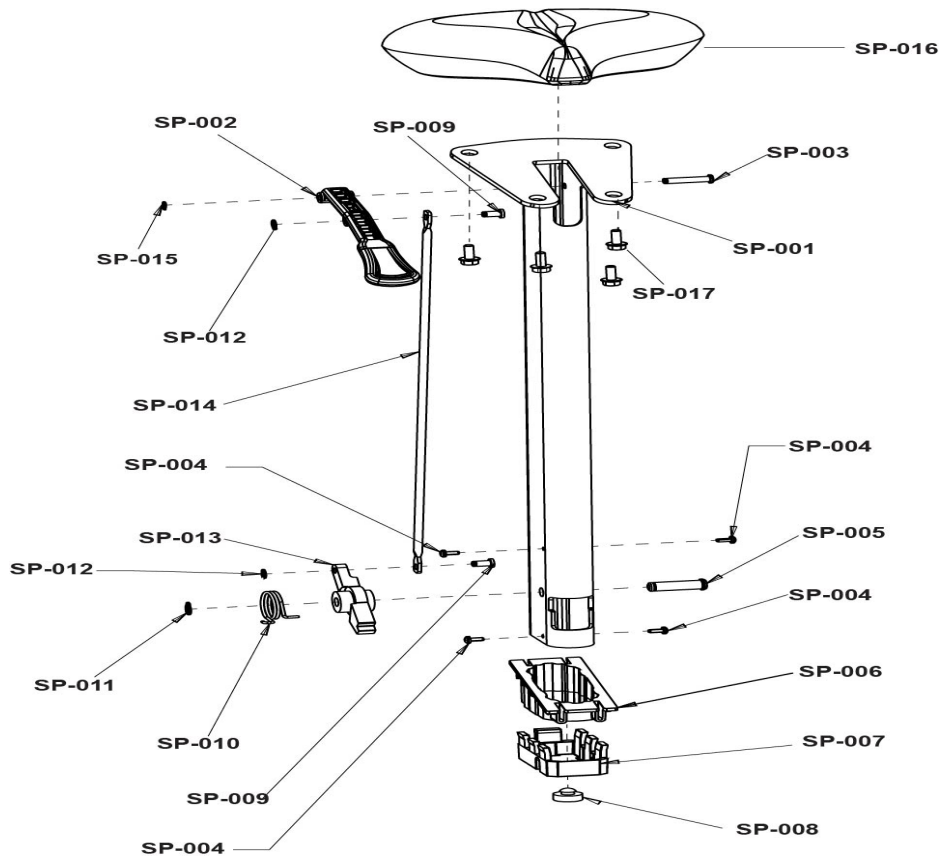
Ref #	Part Number	Qty	Description
PC-001	0K76-01054-0000	1	Right Crank Arm
PC-002	0K76-01053-0000	1	Left Crank Arm
PC-003	0017-00101-1796	2	Hardware: Mounting Screw 19 MM
PC-004	0K66-01121-2400	2	CAP: CRANK, CHARCOAL GRAY
PC-010	1006921-0001	1	ASSEMBLY: PEDAL, LIFECYCLE, RIGHT
PC-011	1006920-0001	1	ASSEMBLY: PEDAL, LIFECYCLE, LEFT
PC-012	1001593-2400	1	SHROUD ASSEMBLY: MONOCOLUMN, RIGHT, CHARCOAL GREY
PC-013	1001594-2400	1	SHROUD: MONOCOLUMN, LEFT, CHARCOAL GREY
PC-014	0017-00101-2077	2	Hardware: Screw 30MM
PC-015	1007086-0001	2	DECAL: JFZ TAGLINE, MEDIUM SIZE
PC-016	1006636-0001	1	LABEL: PF, UPRIGHT BIKE, PURPLE DECAL, RIGHT
PC-017	1006637-0001	1	LABEL: PF, UPRIGHT BIKE, PURPLE DECAL, LEFT
PC-018	1006638-0001	1	LABEL: PF, UPRIGHT BIKE, LOGO, RIGHT
PC-019	1006639-0001	1	LABEL: PF, UPRIGHT BIKE, LOGO, LEFT
PC-020	1002166-0700	4	ENDCAP: LARGE FLOV, BLACK

Plugs



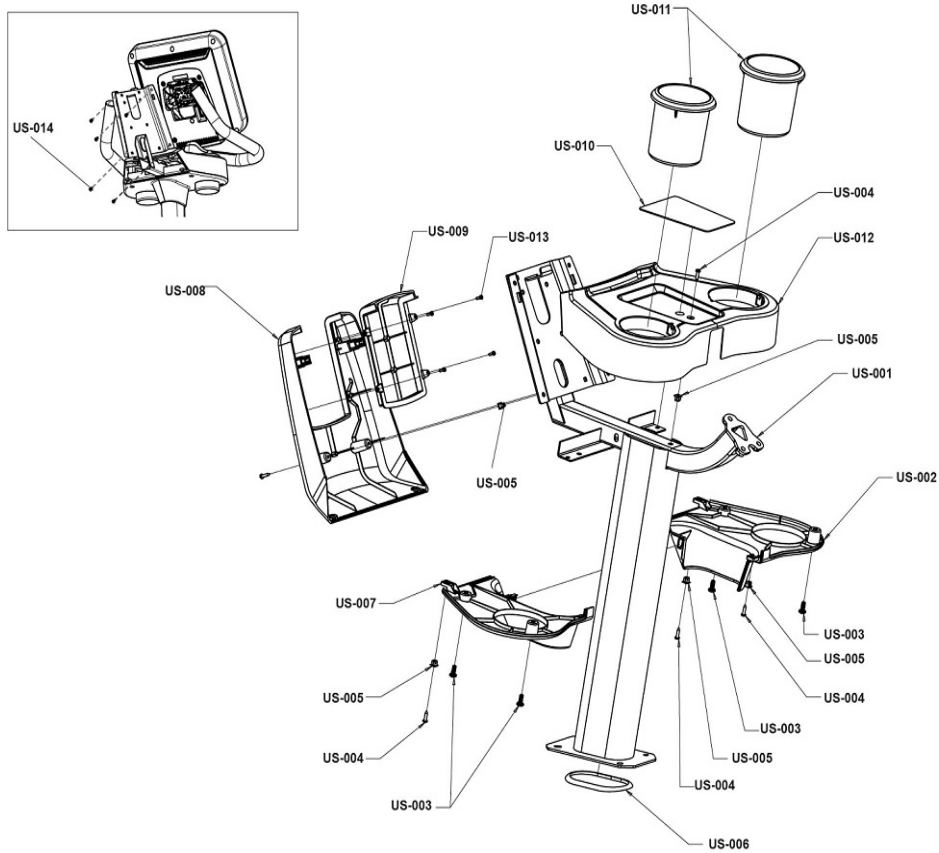
Ref #	Part Number	Qty	Description
PB-001	0017-00003-0685	1	6V Battery
PB-002	0017-00101-1796	5	Hardware: Mounting Screw 19 MM
PB-003	1001537-0001	1	SHEET METAL: BRACKET, COM PORT
PB-004	0017-00021-3195	1	COUPLER: CAT5E, SHIELDED, RJ45
PB-005	1005393-0700	1	PLUG: HDMI, BLACK
PB-006	1005470-0700	1	PLUG: IR PORT, BLACK
PB-007	0017-00021-2846	1	F-Type Panel Connector

# Seat



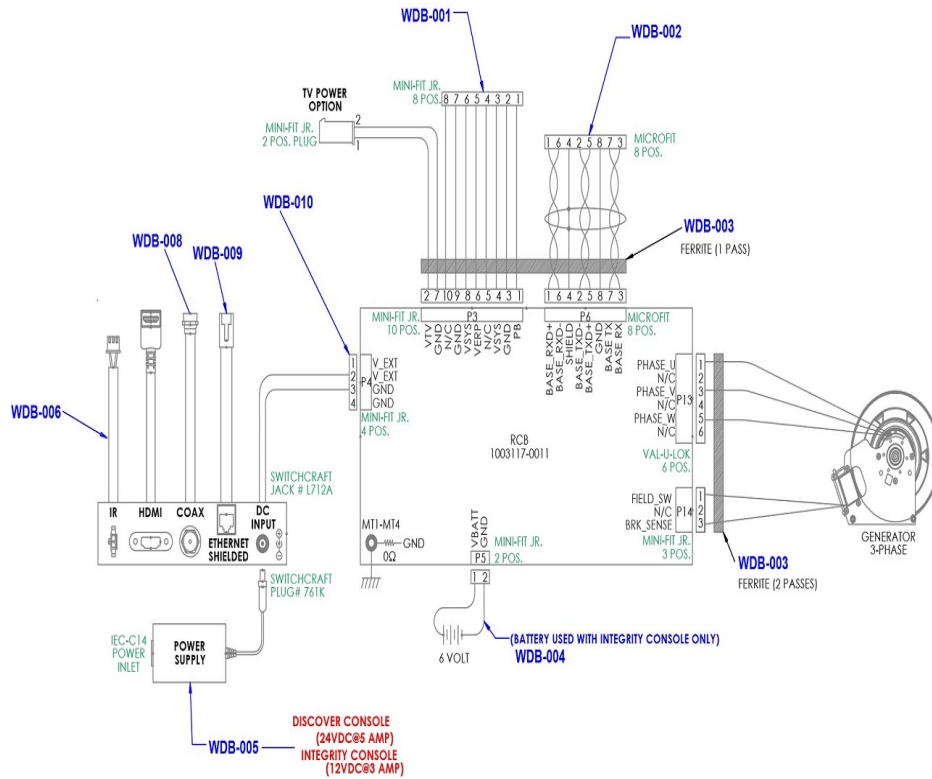
Ref #	Part Number	Qty	Description
SP-001	1001553-0001	1	WELDMENT: SEAT POST, BLACK
SP-002	1001615-0500	1	HANDLE: SEAT ADJUSTMENT, UPRIGHT, RED
SP-003	1001557-0001	1	PIN: PIVOT, HANDLE
SP-004	0017-00101-1968	4	Hardware: Ground Screws 10MM
SP-005	1001558-0001	1	PIN: PIVOT, LATCH
SP-006	1001555-0001	1	BUSHING: SEAT POST, UPPER
SP-007	1001556-0001	1	BUSHING: SEAT POST, LOWER
SP-008	0K77-01066-0000	1	BUMPER: EPDM
SP-009	0K77-01028-0000	2	Hardware: Pivot Pin
SP-010	0K77-01032-0000	1	Latch Spring
SP-011	0017-00100-0253	1	Retaining Ring
SP-012	0017-00100-0250	2	E Ring
SP-013	0K77-01031-0000	1	Latch
SP-014	0K77-01027-0000	1	Adjustment Rod
SP-015	1001646-0001	1	RING: RETAINING, 6MM, EXTERNAL
SP-016	1004863-0001	1	SEAT: UPRIGHT
SP-017	0017-00101-2150	4	SCREW: M8 X 1.25 6G6H X 20, UHS, HXW, CS, ST, ZB

# Upper Shrouds



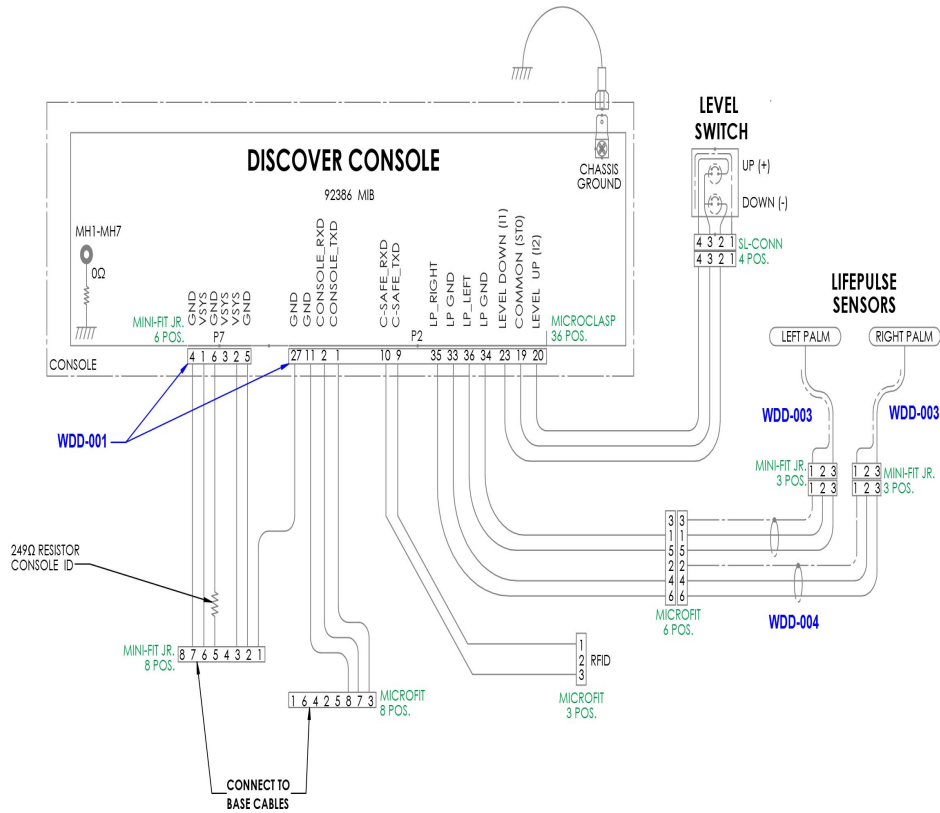
Ref #	Part Number	Qty	Description
US-001	1001523-5800	1	WELDMENT: MONOCOLUMN, UPRIGHT, PURPLE ROBUST
US-002	1001606-2400	1	SHROUD: BOTTOM, RIGHT, CHARCOAL GREY
US-003	0017-00101-2138	4	SCREW: M6 X 1.0 X 16, DIN, PHL, PAN, MS, ST, ZB
US-004	0017-00101-1796	5	Hardware: Mounting Screw 19 MM
US-005	0017-00042-1147	4	Hardware: Nylon Grommet
US-006	1003232-0700	1	GASKET: MONOCOLUMN, BLACK
US-007	1001607-2400	1	SHROUD ASSEMBLY: BOTTOM, LEFT, CHARCOAL GREY
US-008	1001608-2400	1	SHROUD: REAR, CHARCOAL GREY
US-009	1001609-2400	1	SHROUD: REAR, FILLER, CHARCOAL GRAY
US-010	1001610-0700	1	PAD: UPRIGHT TRAY, BLACK
US-011	1001034-2400	2	CUPHOLDER: LOCKING, CHARCOAL GRAY
US-012	1001605-2400	1	SHROUD ASSEMBLY: TOP, CHARCOAL GREY
US-013	0017-00101-1650	4	Hardware: Phillips Pan Screw 0.375"
US-014	0017-00101-1940	5	Hardware: Screw 14MM

### WD Upright Base



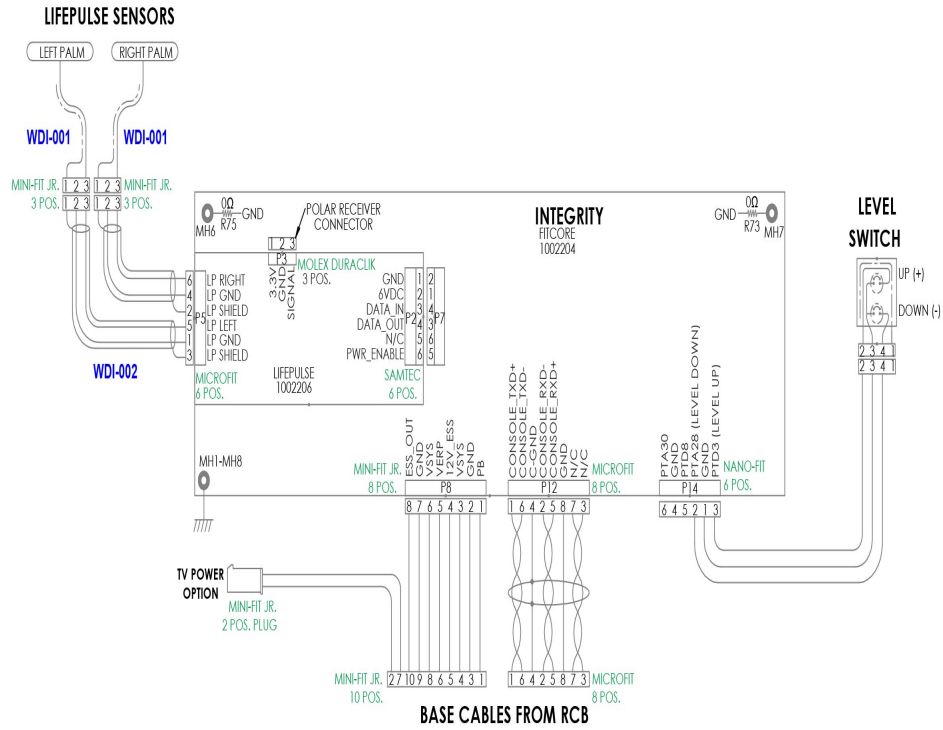
Ref #	Part Number	Qty	Description
WDB-001	1002258-0002	1	CABLE: CONSOLE TO BASE, POWER, 1300MM
WDB-002	1002239-0002	1	CABLE: CONSOLE TO BASE, SIGNAL, 1300MM
WDB-003	121E-00001-0023	1	FERRITE: SUPPRESSION, CORE-CASE
WDB-004	AK69-00106-0000	1	Battery cable
WDB-005	1001517-0001	1	POWER SUPPLY: 12 VDC, 3A
WDB-008	AK65-00062-0000	1	Cable: Coax RG6 Base
WDB-009	AK70-00092-0004	1	CABLE ASSY: CAT5E, V2, 63.5 INCH
WDB-010	1003521-0001	1	CABLE: POWER, RCB TO PANEL, 5A, UPRIGHT BIKE
-	0017-00081-0346	1	TAPE: ADHESIVE, DOUBLE-SIDED

# WD Upright Discover



Ref #	Part Number	Qty	Description
WDD-003	1004560-0001	1	CABLE: LIFEPULSE ELECTRODES
WDD-004	1003838-0003	1	CABLE: LIFEPULSE TO ELECTRODE - UPRIGHT BIKE

### WD Upright Integrity



Ref #	Part Number	Qty	Description
WDI-001	1004560-0001	2	CABLE: LIFEPULSE ELECTRODES
WDI-002	1003838-0003	1	CABLE: LIFEPULSE TO ELECTRODE - UPRIGHT BIKE

