

# Recumbent Bike Base

INRS-ALLXX-01PF

## Parts Manual

1/5/2019 14:32:39 PM

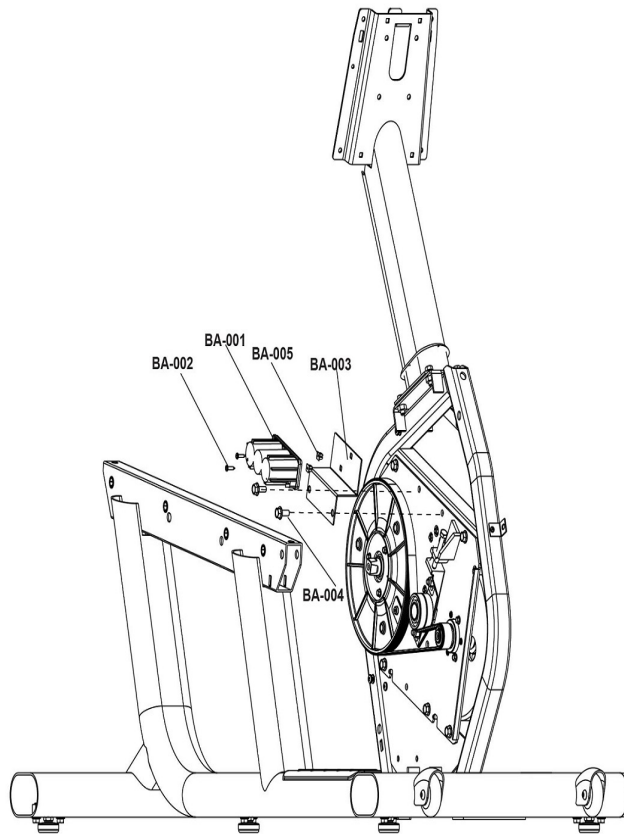


**Table of Contents**

---

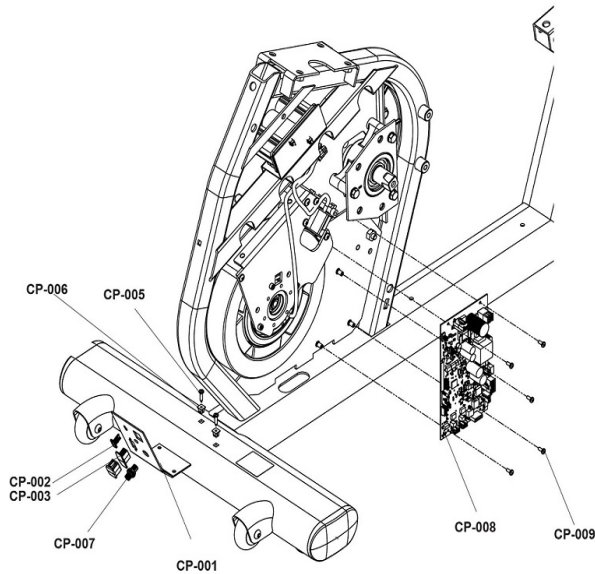
[Battery](#).....3  
[Communication Port](#).....4  
[Drive Train](#).....5  
[Front Roller](#).....6  
[Handle Bars](#).....7  
[Lift Assembly](#).....8  
[Main Shrouds](#).....9  
[Monocolumn](#).....10  
[Pedals](#).....11  
[Roller](#).....12  
[Seat Back](#).....13  
[Seat Bottom](#).....14  
[Seat Carriage](#).....15  
[Seat Rail](#).....16  
[Wiring Diagram - Base](#).....17  
[Wiring Diagram - Integrity](#).....18

**Battery**



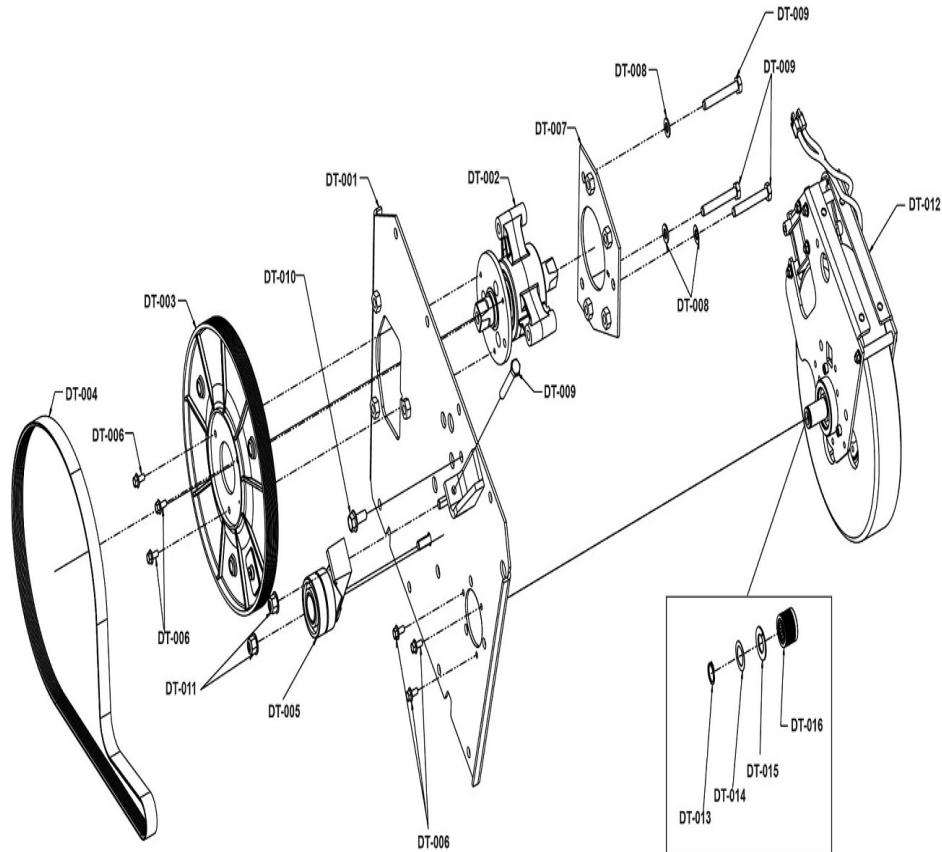
Ref #	Part Number	Qty	Description
BA-001	0017-00003-0685	1	6V Battery
BA-002	0017-00101-1796	2	Hardware: Mounting Screw 19 MM
BA-003	1006429-0001	1	BRACKET: BATTERY
BA-004	0017-00101-2150	2	SCREW: M8 X 1.25 6G6H X 20, UHS, HXW, CS, ST, ZB
BA-005	0017-00042-1147	2	Hardware: Nylon Grommet

## Communication Port



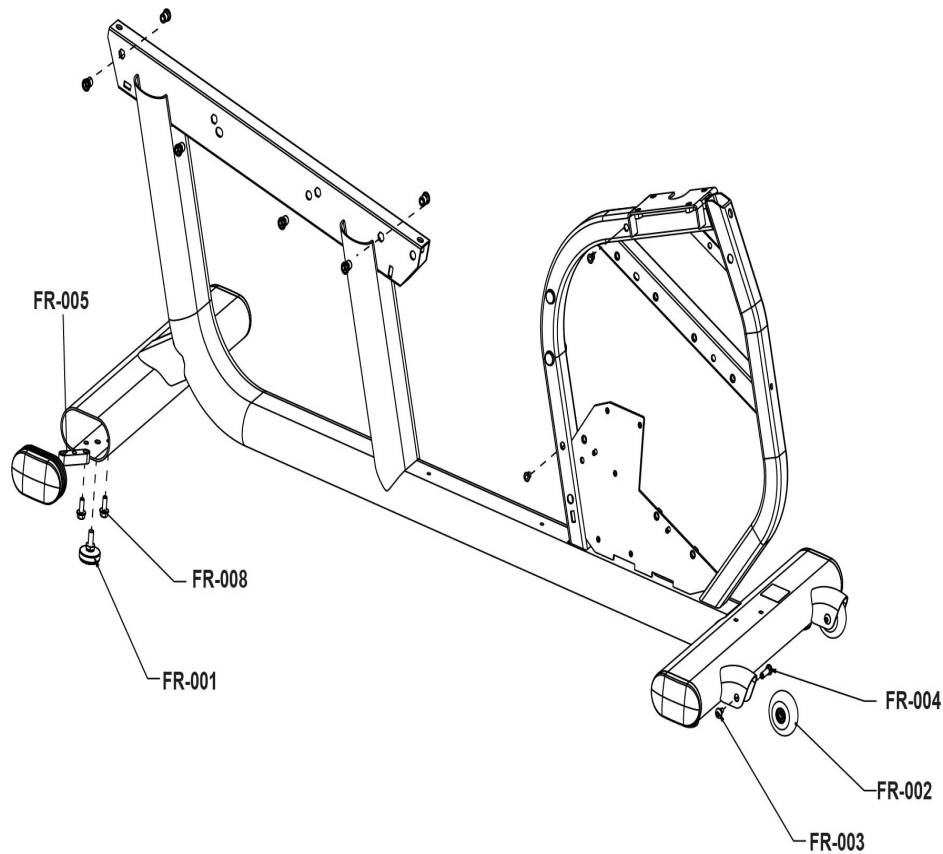
Ref #	Part Number	Qty	Description
CP-001	1001773-0001	1	BRACKET: COM-PORT, RECUMBENT
CP-002	1005470-0700	1	PLUG: IR PORT, BLACK
CP-003	1005393-0700	1	PLUG: HDMI, BLACK
CP-005	0017-00101-1796	2	Hardware: Mounting Screw 19 MM
CP-006	0017-00042-1147	2	Hardware: Nylon Grommet
CP-007	0017-00021-2846	1	F-Type Panel Connector
CP-008	1003117-0011	1	PCB ASSEMBLY: RESISTANCE CONTROL
CP-009	0017-00101-1989	5	Hardware: M4 6G6G X 10 DIN PHI PAN ZN

# Drive Train



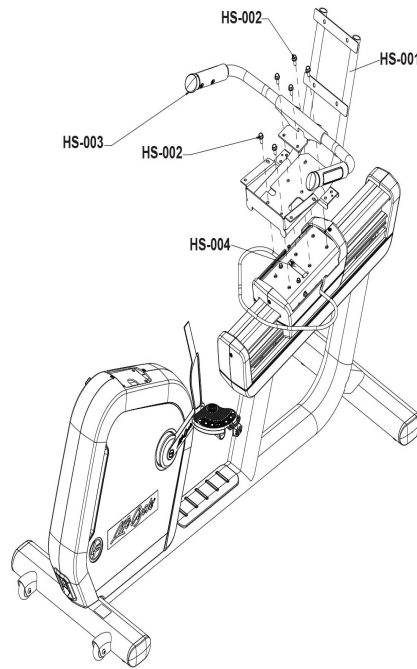
Ref #	Part Number	Qty	Description
DT-001	1000711-0001	1	WELDMENT: DRIVETRAIN PLATE
DT-002	AK66-00151-0000	1	HUB ASSY: CRANKSHAFT, UNIPLATE
DT-003	0K76-01068-0000	1	Pulley
DT-004	1000716-0001	1	BELT: POLY-V, 430 J8
DT-005	1001619-0001	1	ASSEMBLY: IDLER
DT-006	0017-00101-2151	6	SCREW: M5 X 0.8 6G6G X 12, FLANGE, HEAD, CS, G5, CD
DT-007	1000714-0001	1	WELDMENT: ADAPTER, HUB
DT-008	0017-00104-0469	3	Hardware: Flat Washer 16MM OD
DT-009	0017-00101-2002	4	Hardware: Tension Bolt 60MM
DT-010	0017-00101-2150	1	SCREW: M8 X 1.25 6G6H X 20, UHS, HXW, CS, ST, ZB
DT-011	1003388-0001	2	NUT: M8 X 1.25-6H, DIN, UNF, HEX, LOCKNUT
DT-012	1003381-0001	1	GENERATOR: BRAKE W/EXT. CLUTCH
DT-013	0017-00100-0257	1	Retaining Ring
DT-014	0017-00104-0498	1	Hardware: Shaft Washer Small .734' OD
DT-015	0K66-01237-0000	1	Hardware: Shaft Washer Large
DT-016	AK66-00165-0000	1	NC: PULLEY ASSY: W/CLUTCH, UNIPLATE, ISO/DIN

## Front Roller



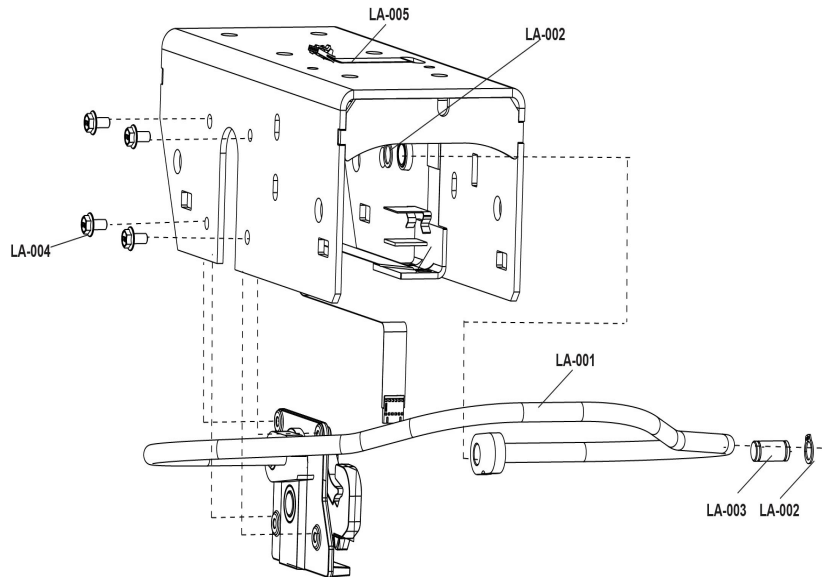
Ref #	Part Number	Qty	Description
FR-001	AK62-00124-0000	4	Leg Leveler
FR-002	1005421-0000	2	ASSEMBLY: FRONT ROLLER
FR-003	1001038-0001	2	SCREW: M6 X 1.0, SHOULDER
FR-004	1001628-0001	2	NUT: SHAFT, BARREL, 8MM DIA, 30MM LONG
FR-005	1001040-0001	4	BLOCK: LEVELER
FR-008	0017-00101-2150	8	SCREW: M8 X 1.25 6G6H X 20, UHS, HXW, CS, ST, ZB

## Handle Bars



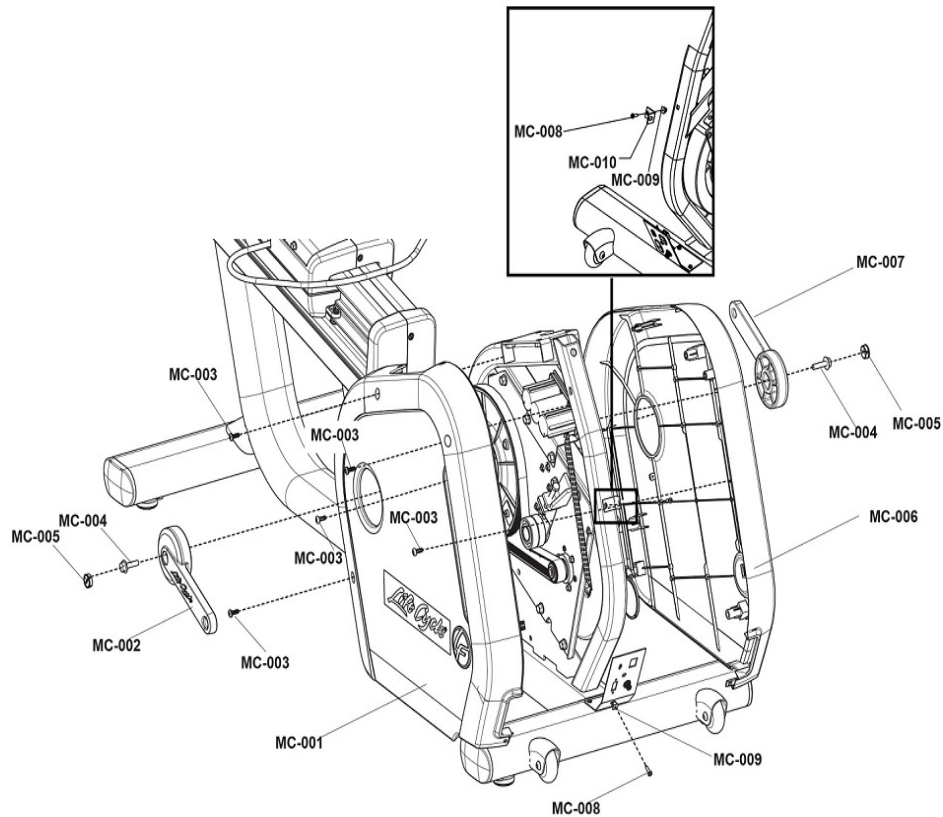
Ref #	Part Number	Qty	Description
HS-001	1004307-7400	1	WELDMENT: ASSEMBLY, SEAT MOUNT, CHARCOAL GRAY
HS-002	0017-00101-2150	6	SCREW: M8 X 1.25 6G6H X 20, UHS, HXW, CS, ST, ZB
HS-003	1005425-0001	1	ASSEMBLY: HANDLEBARS, RECUMBENT, SIMPLE
HS-004	1000699-0001	1	BRACKET: HUB BACKING

## Lift Assembly



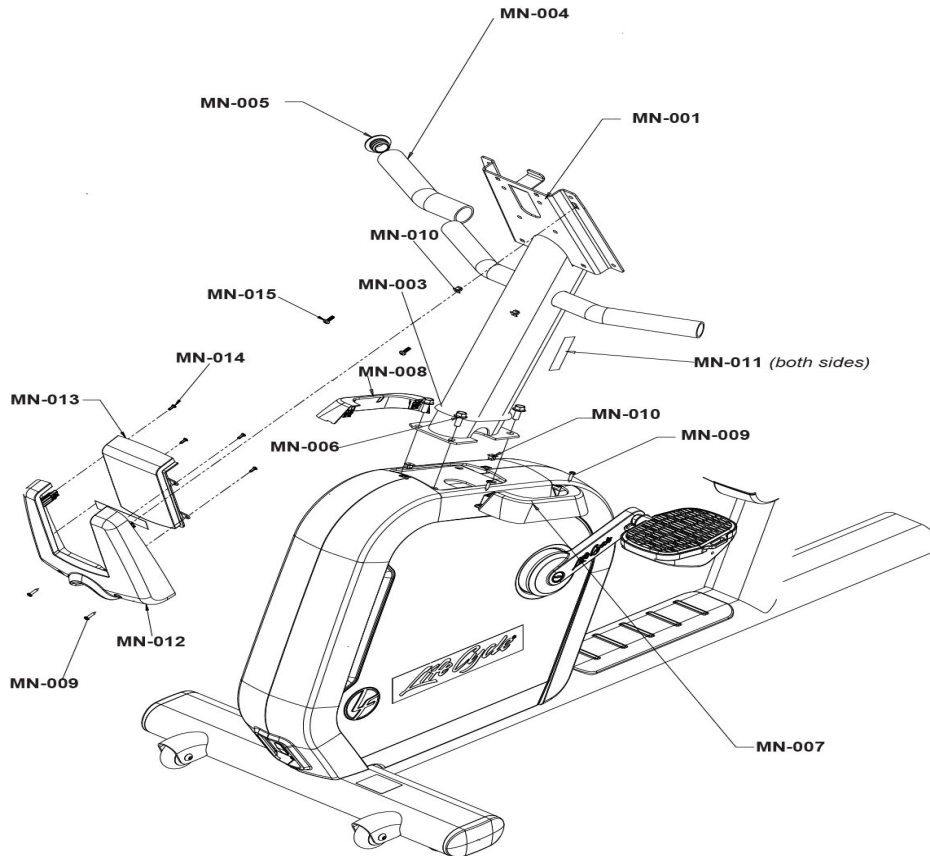
Ref #	Part Number	Qty	Description
LA-001	1003385-0001	1	ASSEMBLY: LATCH MODULE
LA-002	0017-00100-0253	2	Retaining Ring
LA-003	1002895-0001	1	SHAFT: PIVOT
LA-004	0017-00101-2151	3	SCREW: M5 X 0.8 6G6G X 12, FLANGE, HEAD, CS, G5, CD
LA-005	1002806-0001	1	CABLE ASSY: FLAT-FLEX

## Main Shrouds



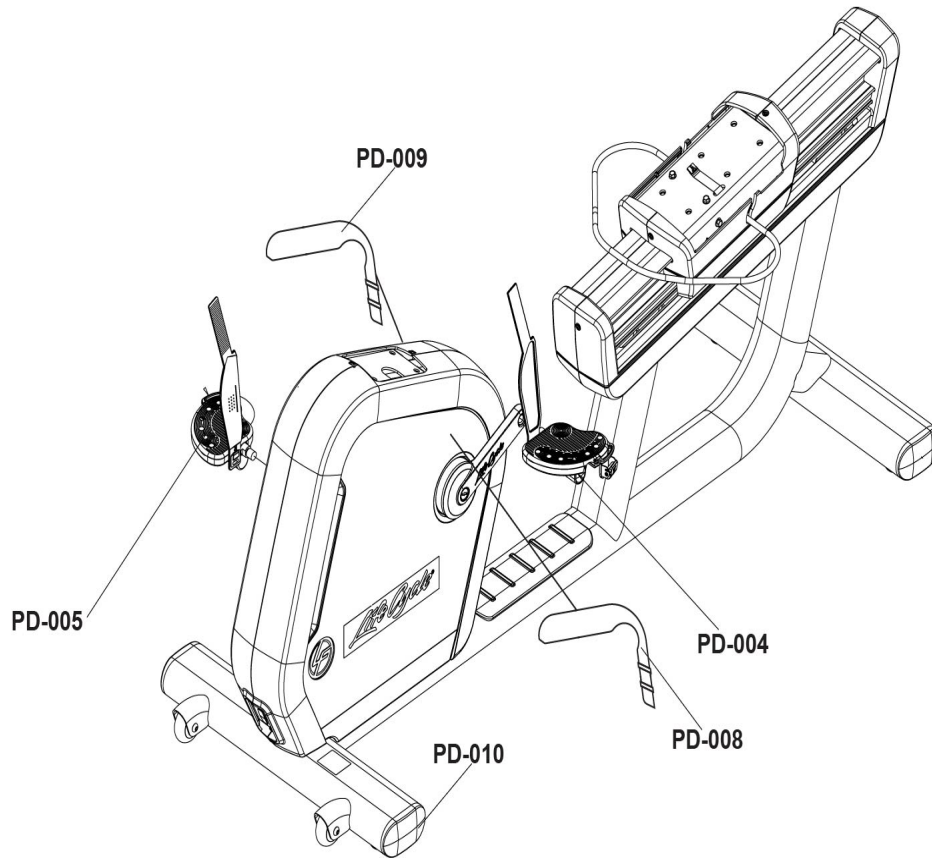
Ref #	Part Number	Qty	Description
MC-001	1002614-2400	1	SHROUD ASSY: MAIN, RIGHT, CHARCOAL GRAY
MC-002	0K76-01054-0000	1	Right Crank Arm
MC-003	0017-00101-2138	5	SCREW: M6 X 1.0 X 16, DIN, PHL, PAN, MS, ST, ZB
MC-004	0017-00101-2077	2	Hardware: Screw 30MM
MC-005	0K66-01121-2400	2	CAP: CRANK, CHARCOAL GRAY
MC-006	1002613-2400	1	SHROUD ASSY: MAIN, LEFT, CHARCOAL GRAY
MC-007	0K76-01053-0000	1	Left Crank Arm
MC-008	0017-00101-1796	2	Hardware: Mounting Screw 19 MM
MC-009	0017-00042-1147	2	Hardware: Nylon Grommet
MC-010	1002971-0001	1	BRACKET: SHROUD CLIP

# Monocolumn



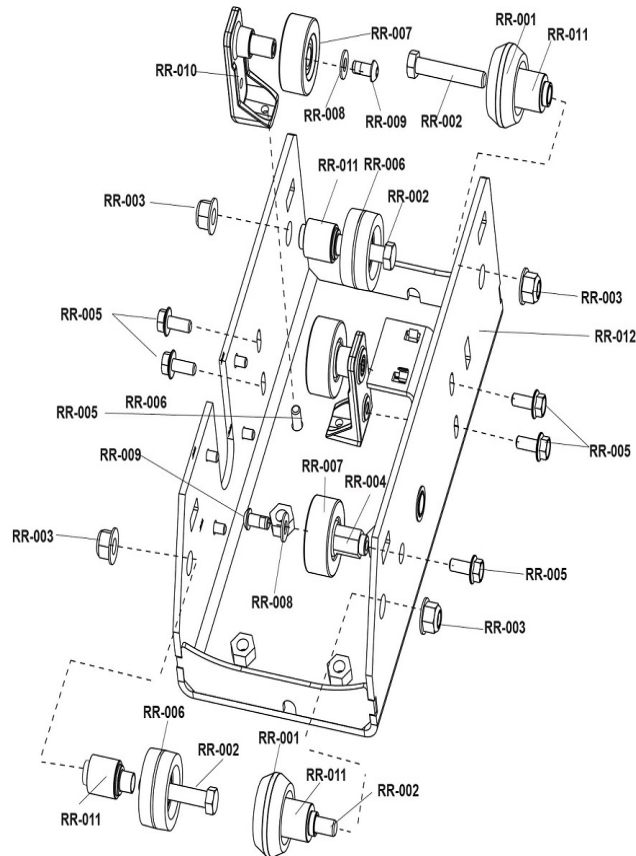
Ref #	Part Number	Qty	Description
MN-001	1000695-5800	1	WELDMENT: MONOCOLUMN, RECUMBENT, FEATURED, PURPLE ROBUST
MN-003	1003232-0700	1	GASKET: MONOCOLUMN, BLACK
MN-004	1003840-0700	2	GRIP: RECUMBENT, BLACK
MN-005	0K76-01091-0700	2	End Cap
MN-006	0017-00101-2150	4	SCREW: M8 X 1.25 6G6H X 20, UHS, HXW, CS, ST, ZB
MN-007	1002615-2400	1	SHROUD: MONOCOLUMN, LEFT, CHARCOAL GRAY
MN-008	1002616-2400	1	SHROUD ASSY: MONOCOLUMN, RIGHT, CHARCOAL GRAY
MN-009	0017-00101-1796	4	Hardware: Mounting Screw 19 MM
MN-010	0017-00042-1147	4	Hardware: Nylon Grommet
MN-011	1007099-0001	2	DECAL: JFZ TAGLINE, SMALL SIZE
MN-012	1002625-2400	1	SHROUD ASSY: CONSOLE BACK, CHARCOAL GRAY
MN-013	1001609-2400	1	SHROUD: REAR, FILLER, CHARCOAL GRAY
MN-014	0017-00101-1650	4	Hardware: Phillips Pan Screw 0.375"
MN-015	0017-00101-1940	5	Hardware: Screw 14MM

**Pedals**



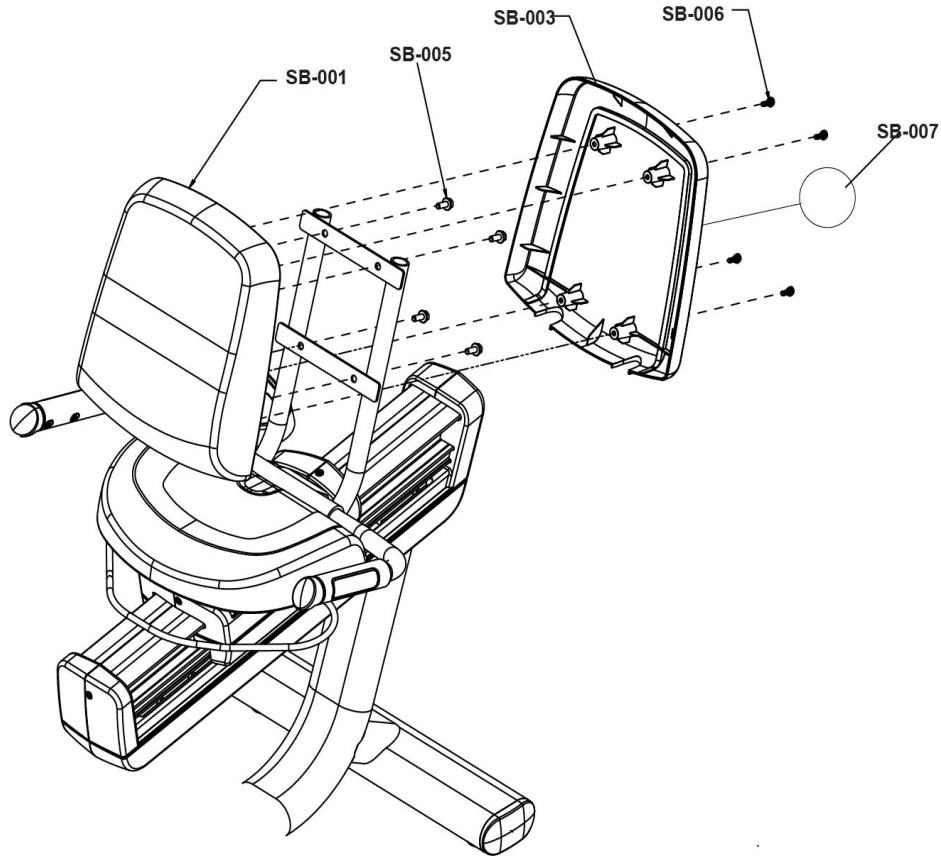
Ref #	Part Number	Qty	Description
PD-004	1006920-0001	1	ASSEMBLY: PEDAL, LIFECYCLE, LEFT
PD-005	1006921-0001	1	ASSEMBLY: PEDAL, LIFECYCLE, RIGHT
PD-008	1006641-0001	1	LABEL: PF, RECUMBENT BIKE, PURPLE DECAL, LEFT
PD-009	1006640-0001	1	LABEL: PF, RECUMBENT BIKE, PURPLE DECAL, RIGHT
PD-010	1002166-0700	4	ENDCAP: LARGE FLOV, BLACK

# Roller



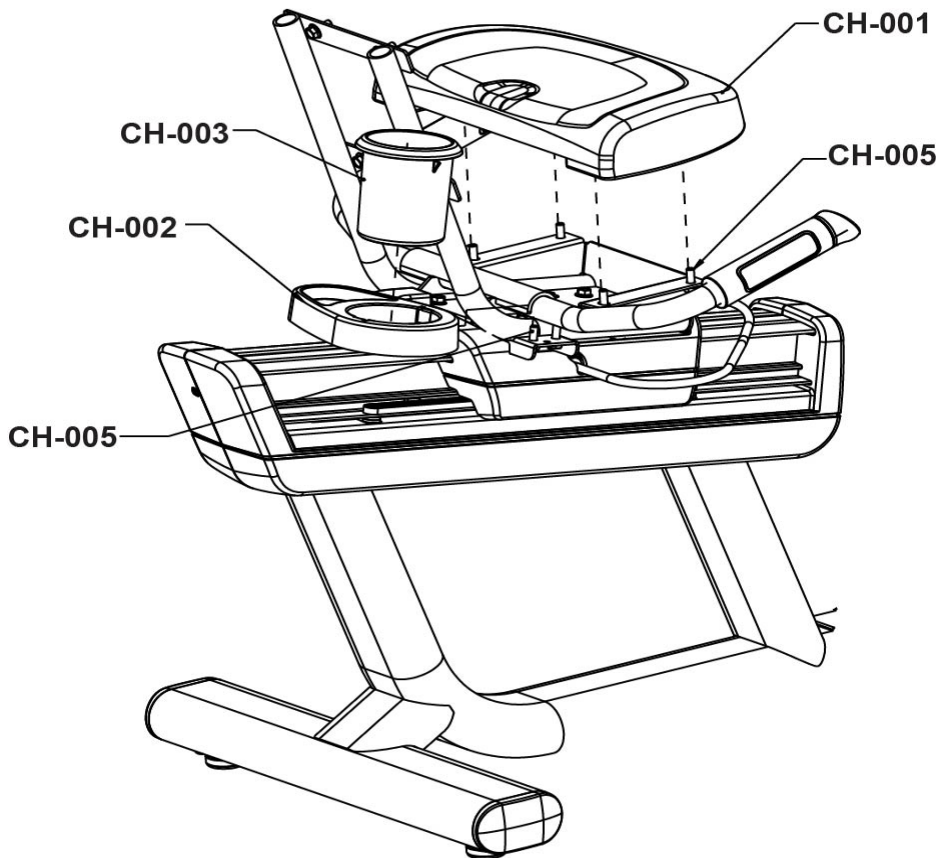
Ref #	Part Number	Qty	Description
RR-001	0K51-01034-0001	2	Seat Roller: Right
RR-002	0017-00101-2037	4	Hardware: SCR: M8 X 1.25 X 50 HEX
RR-003	1003388-0001	4	NUT: M8 X 1.25-6H, DIN, UNF, HEX, LOCKNUT
RR-004	1003788-0001	1	SHAFT: TENSION ROLLER
RR-005	1003368-0001	6	SCREW: M6 X 1.0 X 16, DIN, UNS, HXW, CS, ST, ZB
RR-006	1003365-0001	2	ROLLER: SEAT, LEFT SIDE
RR-007	0K19-01130-0000	3	Preload Roller
RR-008	0017-00104-0072	3	Hardware: Flat Washer 0.562" OD
RR-009	0017-00101-2014	3	SCREW: M6 X 1-6G6H X 14, DIN, HEX, BUT, L, ST, ZB
RR-010	1003371-0001	2	ASSEMBLY: ROLLER TENSIONER
RR-011	1003366-0001	4	HUB: ROLLER
RR-012	1005420-0001	1	ASSEMBLY: SEAT CARRIAGE, RECUMBENT

**Seat Back**



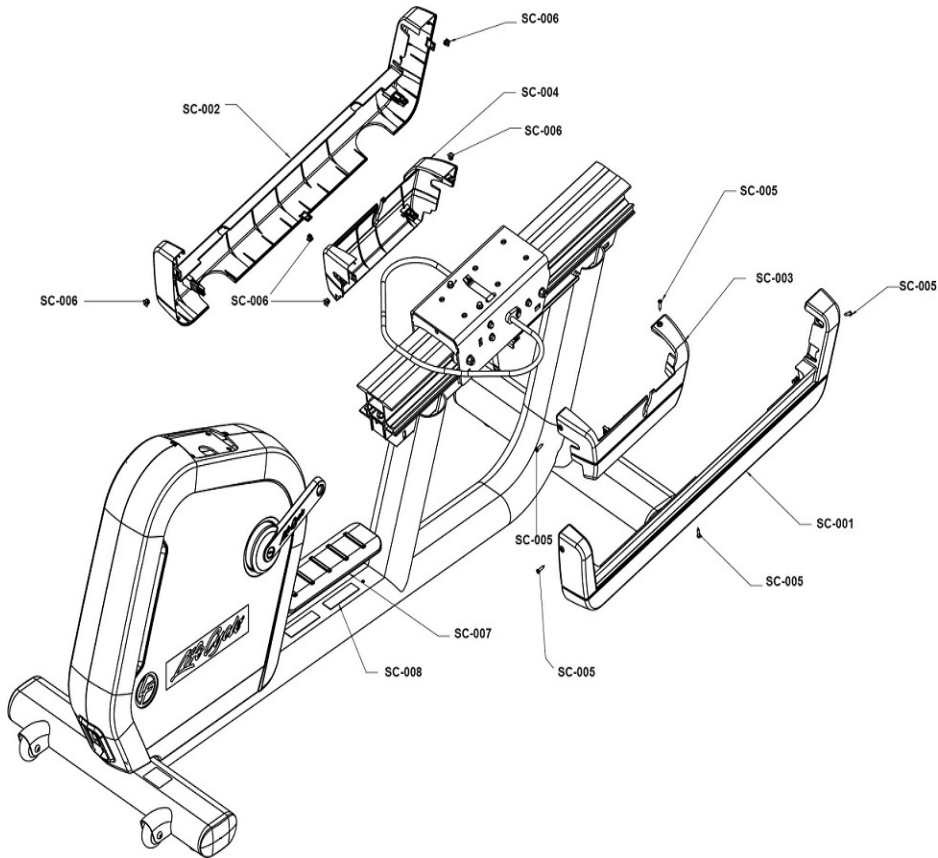
Ref #	Part Number	Qty	Description
SB-001	1003836-0700	1	SEAT: RECUMBENT, BACK, SIMPLE, BLACK
SB-003	1003506-2400	1	SHROUD: SEAT BACK, SIMPLE, CHGR
SB-005	0017-00101-2150	4	SCREW: M8 X 1.25 6G6H X 20, UHS, HXW, CS, ST, ZB
SB-006	0017-00101-2138	4	SCREW: M6 X 1.0 X 16, DIN, PHL, PAN, MS, ST, ZB
SB-007	1006644-0001	1	LABEL: PF, TREADMILL, LOGO, MOTOR COVER

**Seat Bottom**



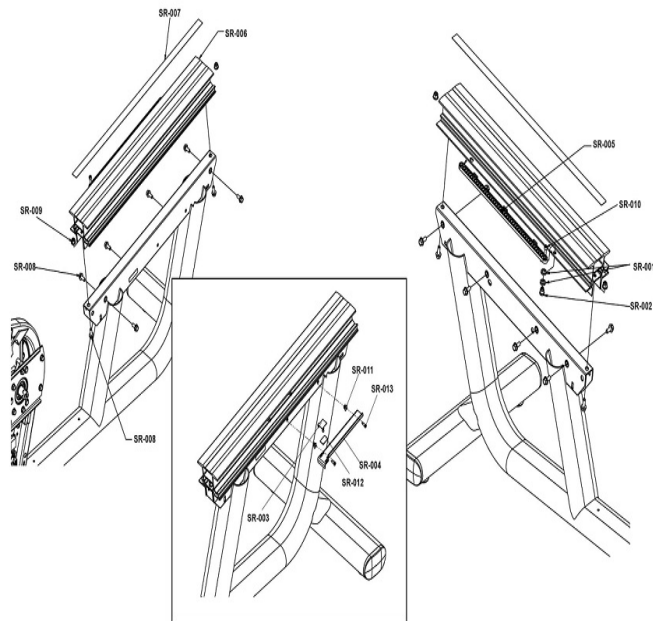
Ref #	Part Number	Qty	Description
CH-001	1005010-0700	1	SEAT: RECUMBENT BOTTOM, BLACK
CH-002	1002626-2400	1	SHROUD: CUP HOLDER, RETAINER, RIGHT, CHARCOAL GRAY
CH-003	1001034-2400	1	CUPHOLDER: LOCKING, CHARCOAL GRAY
CH-005	0017-00101-2150	8	SCREW: M8 X 1.25 6G6H X 20, UHS, HXW, CS, ST, ZB

## Seat Carriage



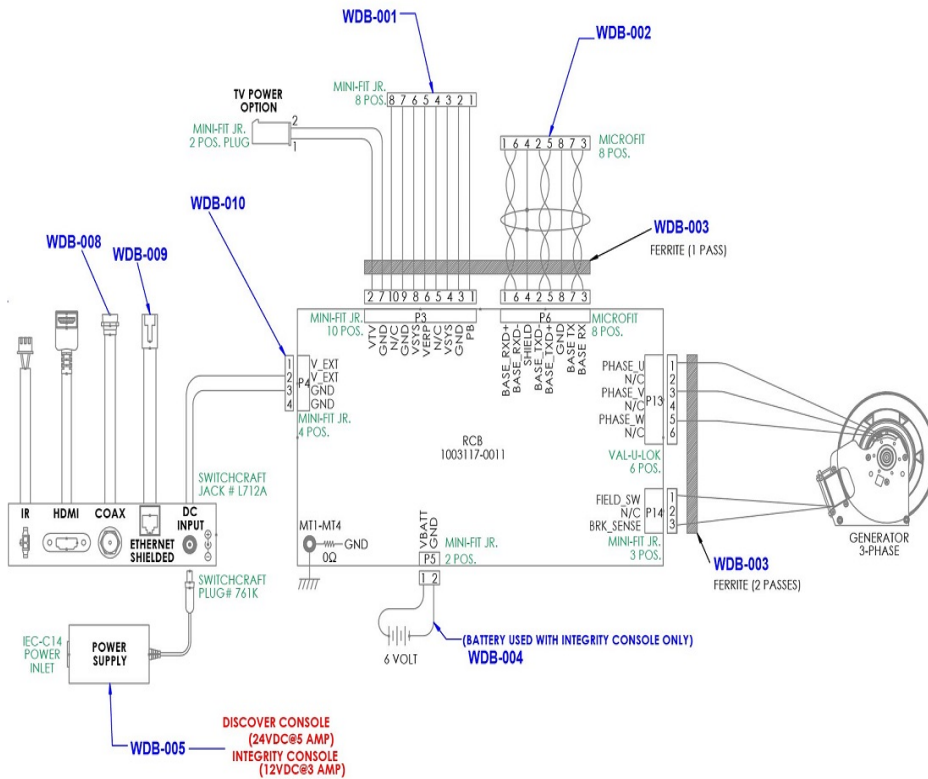
Ref #	Part Number	Qty	Description
SC-001	1002619-2400	1	SHROUD: SEAT RAIL, LEFT, CHARCOAL GRAY
SC-002	1002620-2400	1	SHROUD: SEAT RAIL, RIGHT, CHARCOAL GRAY
SC-003	1002622-2400	1	SHROUD: SEAT CARRIAGE, LEFT, CHARCOAL GRAY
SC-004	1002623-2400	1	SHROUD: SEAT CARRIAGE, RIGHT, CHARCOAL GRAY
SC-005	0017-00101-1796	5	Hardware: Mounting Screw 19 MM
SC-006	0017-00042-1147	5	Hardware: Nylon Grommet
SC-007	1002617-2400	1	SHROUD: BASE, TUBE, RECUMBENT, CHARCOAL GRAY
SC-008	0K61-04115-0002	2	Adhesive Tape

## Seat Rail



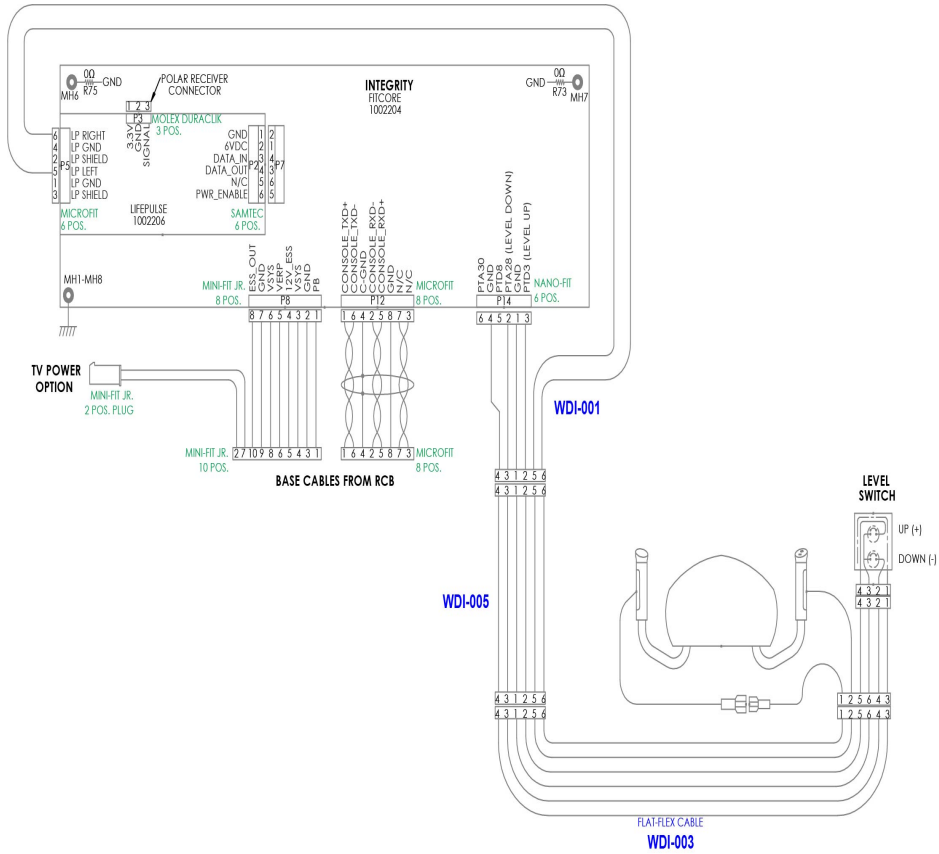
Ref #	Part Number	Qty	Description
SR-001	1003441-0001	4	O-RING: 1/2ID X 3/4OD X 1/8SQ
SR-002	1003440-0001	2	HUB: STOP
SR-003	1003369-0001	2	CLIP: FLAT-FLEX CABLE
SR-004	1002803-0001	1	BRACKET: WIRE TRACK
SR-005	1002027-0001	1	RACK: LOCKING
SR-006	1002026-0001	1	EXTRUSION: SEAT RAIL, RECUMBENT
SR-007	1003527-0001	1	DECAL: EXTRUSION, RECUMBENT
SR-008	0017-00101-2150	8	SCREW: M8 X 1.25 6G6H X 20, UHS, HXW, CS, ST, ZB
SR-009	1003388-0001	2	NUT: M8 X 1.25-6H, DIN, UNF, HEX, LOCKNUT
SR-010	1005398-0001	2	SCREW: M6 X 1.0 X 16, DIN, HEX, SOC, CS, ST, BO
SR-011	0017-00042-1147	2	Hardware: Nylon Grommet
SR-012	1005361-0001	3	ADHESIVE: DOUBLE-SIDED TAPE
SR-013	0017-00101-1796	2	Hardware: Mounting Screw 19 MM

### Wiring Diagram - Base



Ref #	Part Number	Qty	Description
WDB-001	1002258-0002	1	CABLE: CONSOLE TO BASE, POWER, 1300MM
WDB-002	1002239-0002	1	CABLE: CONSOLE TO BASE, SIGNAL, 1300MM
WDB-003	121E-00001-0023	2	FERRITE: SUPPRESSION, CORE-CASE
WDB-004	AK69-00106-0002	1	CABLE ASSY: BATTERY, NON-TREADS, 32 INCH
WDB-005	1001517-0001	1	POWER SUPPLY: 12 VDC, 3A
WDB-008	AK65-00062-0000	1	Cable: Coax RG6 Base
WDB-009	AK70-00092-0004	1	CABLE ASSY: CAT5E, V2, 63.5 INCH
WDB-010	1003521-0002	1	CABLE: POWER, RCB TO PANEL, 5A, RECUMBENT BIKE
-	0017-00021-3195	1	COUPLER: CAT5E, SHIELDED, RJ45

**Wiring Diagram - Integrity**



Ref #	Part Number	Qty	Description
WDI-001	1005177-0001	1	CABLE ASSY: LIFE PULSE AND RESISTANCE TO FIT CORE
WDI-003	1002806-0001	1	CABLE ASSY: FLAT-FLEX
WDI-005	AK66-00104-0001	1	CBL ASSY: KEYPAD/LP, RECUMBENT

