

Premium Tread Base Low VT

INTSE-ALLLX-03PF

Parts Manual

1/5/2019 14:36:54 PM

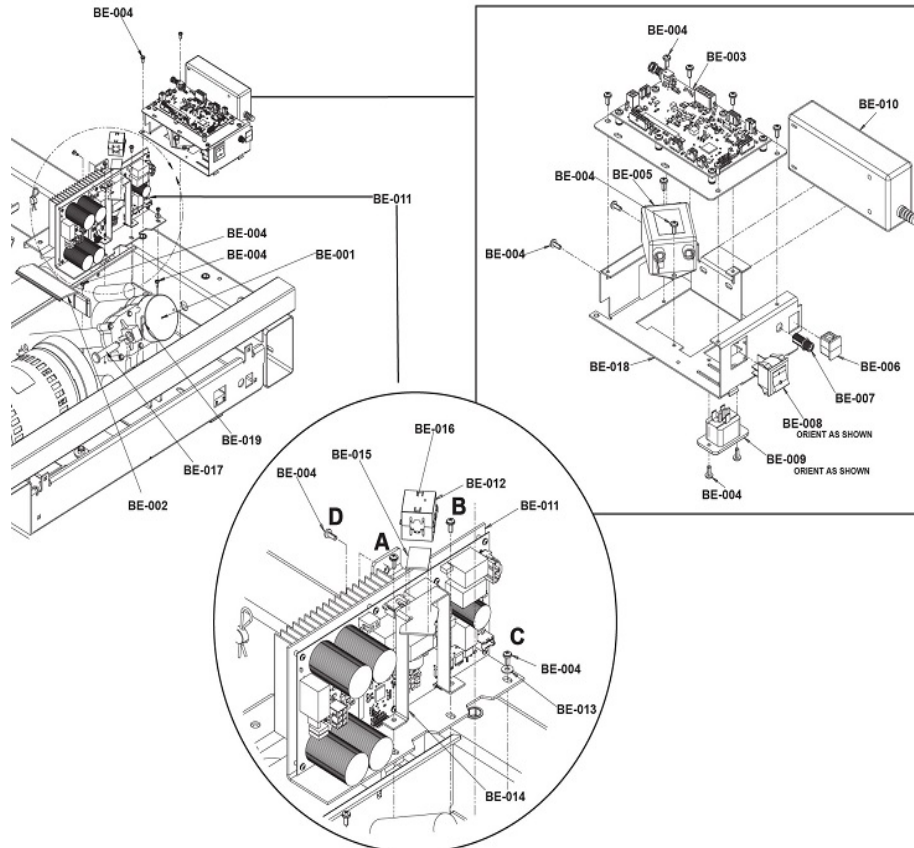


LifeFitness
WHAT WE LIVE FOR

Table of Contents

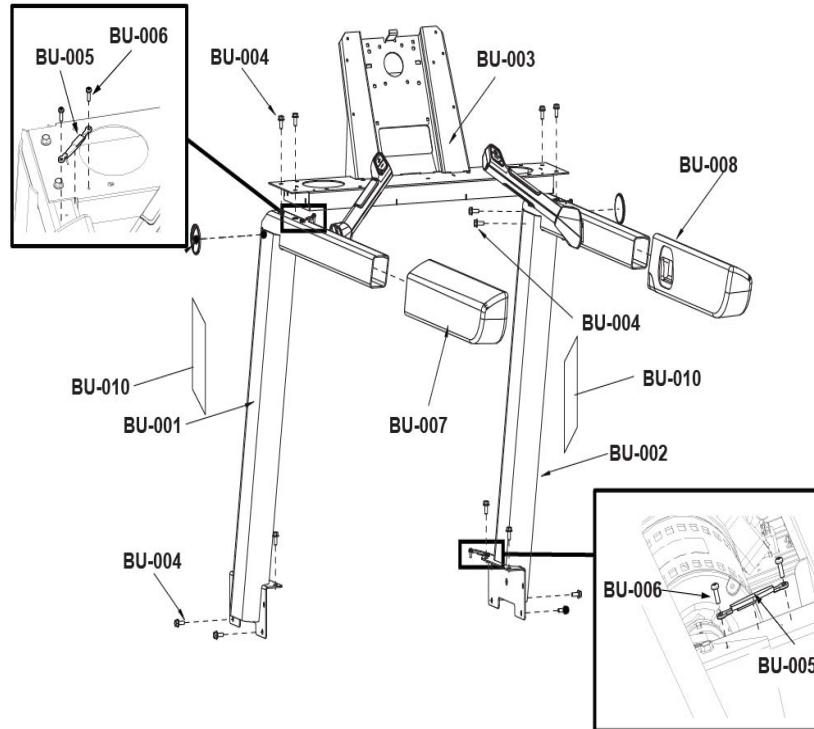
[Base Frame Electronics](#).....3
[Bridge and Upright](#).....4
[Bridge Shrouds](#).....5
[Bullhorns](#).....6
[Console Rear Shrouds](#).....7
[Deck Rails](#).....8
[Discover Wiring Diagram](#).....10
[Drive Motor](#).....11
[Lift Frame](#).....12
[Lower Base Wiring Diagram](#).....13
[Miscellaneous Planet Fitness](#).....14
[Upper Base Wiring Diagram](#).....15

Base Frame Electronics



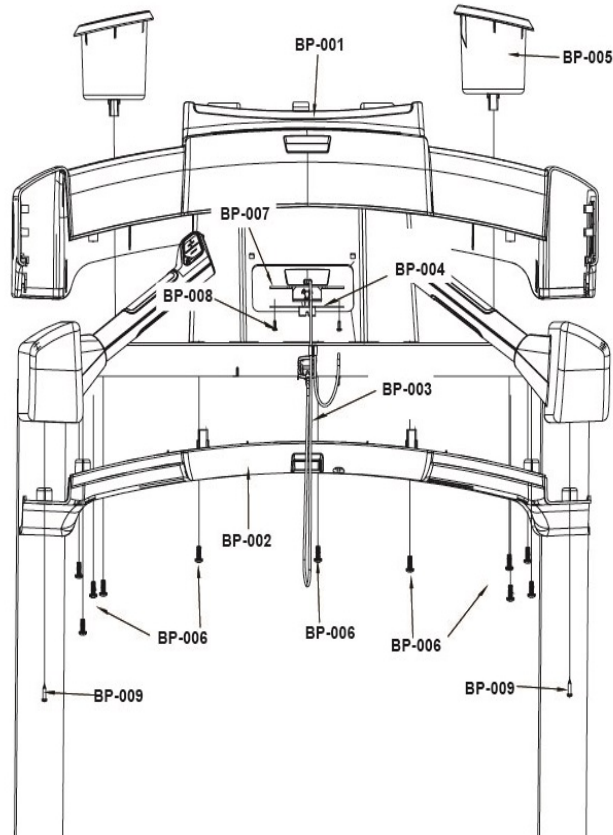
Ref #	Part Number	Qty	Description
BE-001	1001013-0003	1	ACTUATOR: LINEAR, 115V
BE-002	1003261-0001	1	COVER: ACTUATOR, TOP
BE-003	1004381-0001	1	ASSEMBLY: SIB, PC BOARD ASSY
BE-004	0017-00101-1968	20	Hardware: Ground Screws 10MM
BE-005	0017-00003-1015	1	20 amp Line Filter (DOM)
BE-006	0017-00021-3195	1	COUPLER: CAT5E, SHIELDED, RJ45
BE-007	0017-00021-2846	1	F-Type Panel Connector
BE-008	0017-00032-0198	1	On/Off Switch 22A
BE-009	0017-00003-0949	1	IEC Receptacle
BE-010	1004808-0001	1	POWER SUPPLY: 100-240VAC TO 24VDC, 5A, 2.5MM PLUG
BE-011	1003844-0001	1	ASSEMBLY: MDB, PC BOARD ASSY, TREADMILL
BE-012	121E-00001-0010	1	Electrical:Ferrite-Bead: Supression B
BE-013	1005472-0001	3	WASHER: M4.4 X 11 X 1, ST, ZN
BE-014	1006254-0001	1	BRACKET: FERRITE CORE
BE-015	0017-00081-0346	1	TAPE: ADHESIVE, DOUBLE-SIDED
BE-016	0017-00042-1082	1	Strap: Cable-Tie: L=15-5/16 IN. S/C#09-B
BE-017	1002162-0001	1	PIN: M12, CLEVIS
BE-018	1003724-0001	1	BRACKET: ELECTRICAL MTG.
BE-019	1004469-0001	1	PIN: COTTER

Bridge and Upright



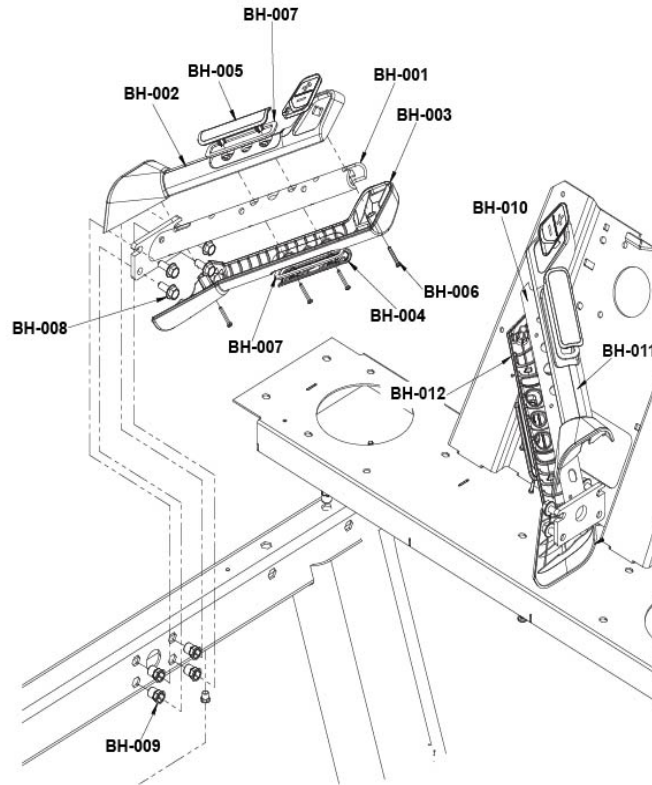
Ref #	Part Number	Qty	Description
BU-001	1001756-5800	1	WELDMENT: UPRIGHT, LEFT, FEATURED, PURPLE ROBUST
BU-002	1001752-5800	1	WELDMENT: UPRIGHT, RIGHT, FEATURED, PURPLE ROBUST
BU-003	1001825-0000	1	WELDMENT: BRIDGE
BU-004	1005191-0001	16	SCREW: M8 X 1.25 6G6H X 20, UNS, HXW, CS, ST
BU-005	1006261-0001	2	CABLE: GROUNDING BRAID
BU-006	0017-00101-1986	4	Hardware: Mounting Screw 16MM
BU-007	1001829-0000	1	GRIP: USER ARM, LEFT, FOAM, FEATURED
BU-008	1001830-0000	1	GRIP: USER ARM, RIGHT, FOAM, FEATURED
BU-010	1007087-0001	2	DECAL: JFZ TAGLINE, LARGE SIZE

Bridge Shrouds



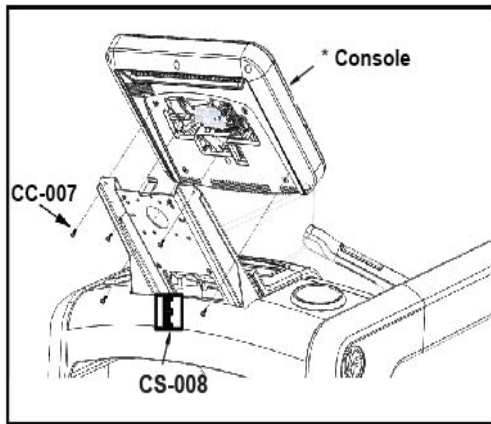
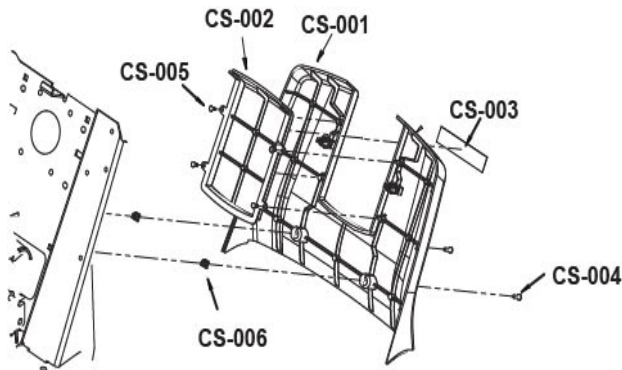
Ref #	Part Number	Qty	Description
BP-001	1001793-2400	1	SHROUD: MIDDLE, UPPER, CHARCOAL GRAY
BP-002	1001794-2400	1	SHROUD: MIDDLE, BOTTOM, CHARCOAL GREY
BP-003	1002224-0000	1	ASSEMBLY: TETHER, ASSEMBLY
BP-004	1002228-0001	1	PLATE: TETHER, PLATE
BP-005	1001740-2400	2	SHROUD: CUP HOLDER, CHARCOAL GRAY
BP-006	0017-00101-2138	13	SCREW: M6 X 1.0 X 16, DIN, PHL, PAN, MS, ST, ZB
BP-007	1005621-0001	1	BRACKET: REED SWITCH MOUNTING
BP-008	0017-00101-1650	2	Hardware: Phillips Pan Screw 0.375"
BP-009	0017-00101-1796	2	Hardware: Mounting Screw 19 MM

Bullhorns



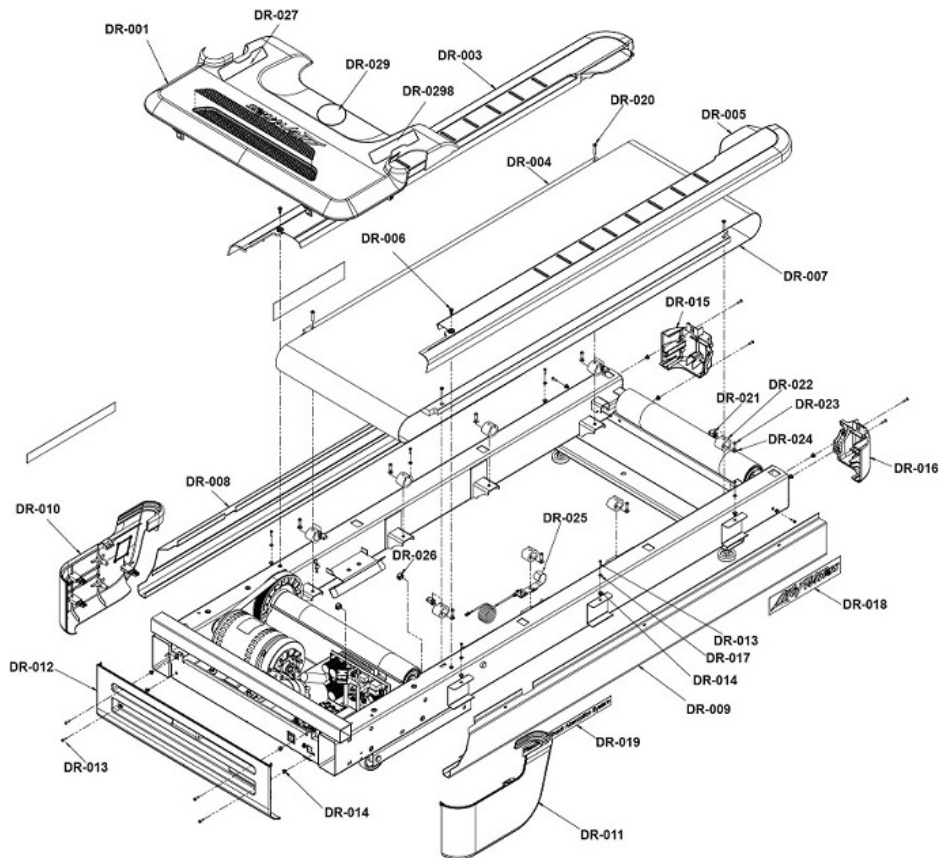
Ref #	Part Number	Qty	Description
BH-001	1001795-0001	1	WELDMENT: BULLHORN, LEFT
BH-002	1004667-2400	1	SHROUD: BULLHORN, TOP, LEFT, SIMPLE, CHARCOAL GRAY
BH-003	1004668-2400	1	SHROUD: BULLHORN, BOTTOM, LEFT, SIMPLE, CHARCOAL GRAY
BH-004	AK69-00140-2404	2	ELECTRODE: INSERT-MOLDED ASSY, 4 INCH, BOTTOM, CHARCOAL GRAY
BH-005	AK69-00139-2404	2	ELECTRODE: INSERT-MOLDED ASSY, 4 INCH, TOP, CHARCOAL GARY
BH-006	0017-00101-2054	8	Hardware: Screw 1"
BH-007	1005173-0001	4	GASKET: CONTACT, HEART RATE
BH-008	1005191-0001	8	SCREW: M8 X 1.25 6G6H X 20, UNS, HXW, CS, ST
BH-010	1001798-0001	1	WELDMENT: BULLHORN; RIGHT
BH-011	1004669-2400	1	SHROUD: BULLHORN, TOP, RIGHT, SIMPLE
BH-012	1004670-2400	1	SHROUD: BULLHORN, BOTTOM, RIGHT, SIMPLE, CHARCOAL GRAY

Console Rear Shrouds



Ref #	Part Number	Qty	Description
CS-001	1001802-2400	1	SHROUD: CONSOLE, BACK, CHARCOAL GRAY
CS-002	1001821-2400	1	SHROUD: CONSOLE, BACK, COVER, CHARCOAL GRAY
CS-003	0K69-01251-0000	1	DECAL: LOGO CONSOLE
CS-004	0017-00101-1796	2	Hardware: Mounting Screw 19 MM
CS-005	0017-00101-1650	4	Hardware: Phillips Pan Screw 0.375"
CS-006	0017-00042-1147	2	Hardware: Nylon Grommet
CS-007	0017-00101-1940	5	Hardware: Screw 14MM
-	121E-00001-0010	1	Electrical:Ferrite-Bead: Supression B

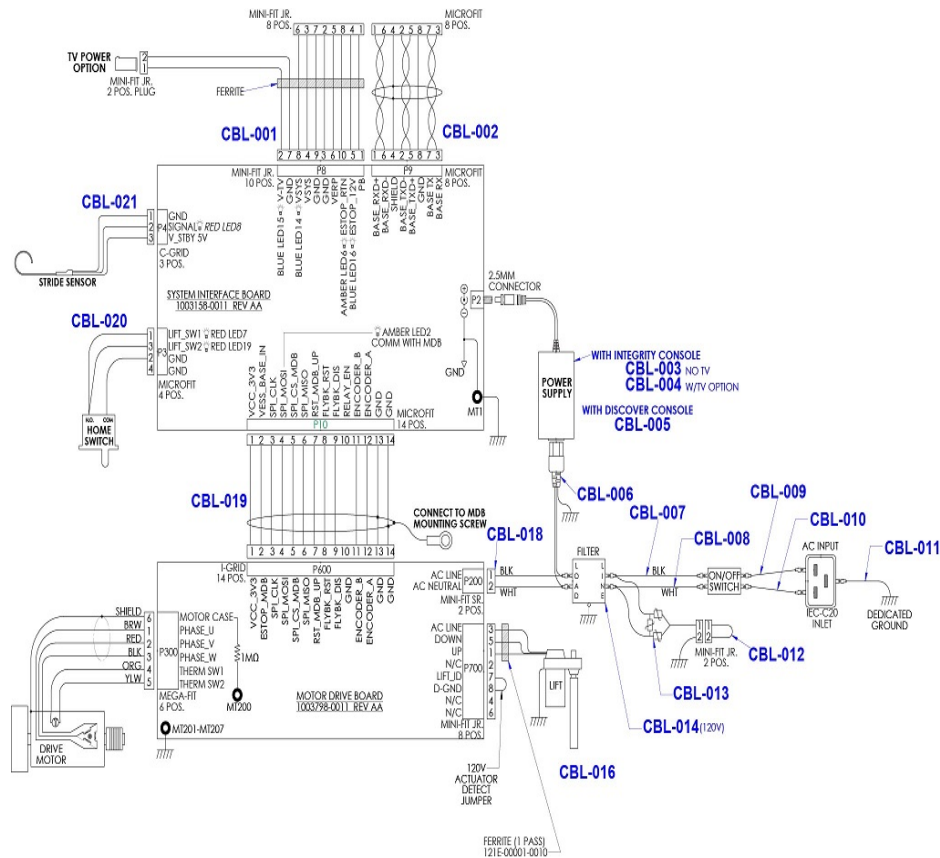
Deck Rails



Ref #	Part Number	Qty	Description
DR-001	1001805-2400	1	SHROUD ASSY: MOTOR, TOP, CHARCOAL GRAY
DR-003	1001924-2400	1	RAIL: TOP, USER, RIGHT, CHARCOAL GRAY
DR-004	1003817-0002	1	DECK: WALKING SURFACE, WITH WAX
DR-005	1001923-2400	1	RAIL: TOP, USER, LEFT, CHARCOAL GREY
DR-006	0017-00101-2138	2	SCREW: M6 X 1.0 X 16, DIN, PHL, PAN, MS, ST, ZB
DR-007	0K65-01002-0000	1	Striding Belt - 95T
DR-008	1002274-0802	1	RAIL: SIDE, USER, RIGHT, FEATURED, PURPLE
DR-009	1002274-0801	1	RAIL: SIDE, USER, LEFT, FEATURED, PURPLE
DR-010	1001807-2400	1	SHROUD ASSY: MOTOR, RIGHT, CHARCOAL GRAY
DR-011	1001808-2400	1	SHROUD ASSY: MOTOR, LEFT, CHARCOAL GRAY
DR-012	1009217-0001	1	SHROUD ASSY: FRONT MOTOR SHROUD WITH BUMPERS
DR-013	0017-00101-1796	16	Hardware: Mounting Screw 19 MM
DR-014	0017-00042-1147	16	Hardware: Nylon Grommet
DR-015	1001928-0800	1	ENDCAP: USER, RIGHT, FEATURED, PURPLE
DR-016	1001926-0800	1	ENDCAP: USER, LEFT, FEATURED, PURPLE
DR-017	1005472-0001	6	WASHER: M4.4 X 11 X 1, ST, ZN
DR-018	1005556-0003	1	LABEL: LF LOGO, CHARCOAL, PF
DR-019	1005557-0003	1	LABEL: FLEXDECK LOGO, CHARCOAL, PF
DR-020	1000722-0001	4	SCREW: M6 X 1.0 X 35, FSHCS
DR-021	1001124-0001	4	NUT: U-CLIP, M6
DR-022	0K40-01026-0002	8	Deck Spring

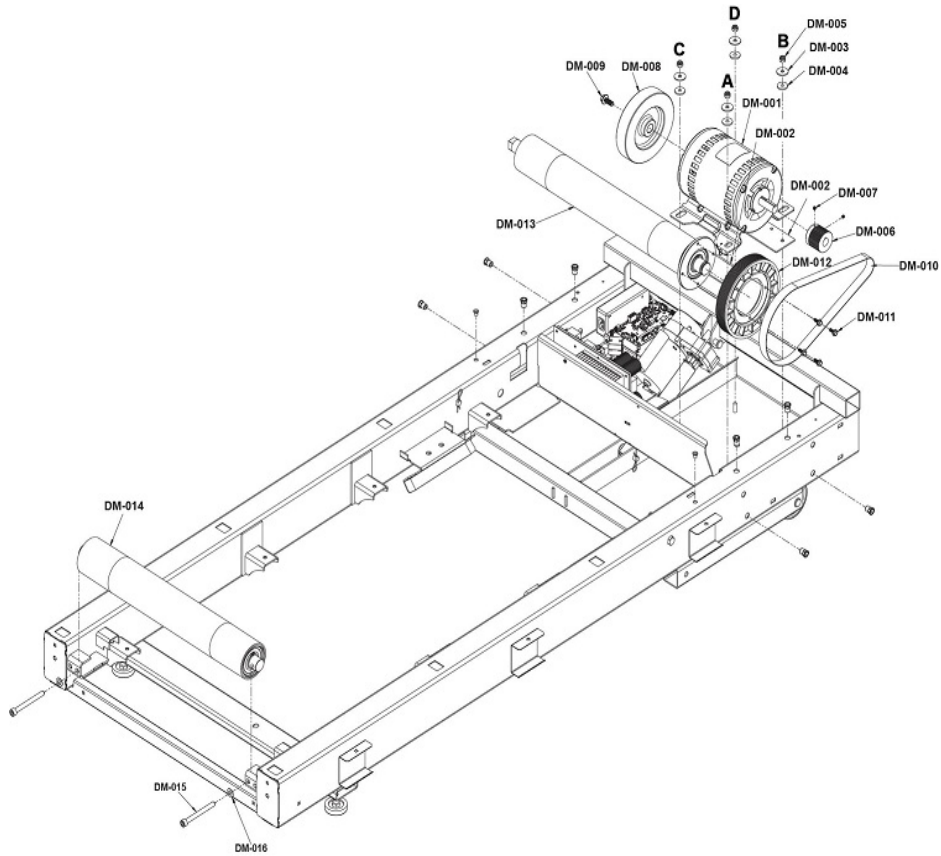
Ref #	Part Number	Qty	Description
DR-023	1005212-0001	8	SCREW: M6 X 1 X 20, HEX, BUT, CS, ST, ZB
DR-024	0017-00104-0072	8	Hardware: Flat Washer 0.562" OD
DR-025	AK58-00560-0000	1	Stride Sensor Assembly
DR-026	0017-00042-0869	2	Bushing
DR-027	1006642-0001	1	LABEL: PF, TREADMILL, PURPLE DECAL, RIGHT
DR-028	1006643-0001	1	LABEL: PF, TREADMILL, PURPLE DECAL, LEFT
DR-029	1006644-0001	1	LABEL: PF, TREADMILL, LOGO, MOTOR COVER

Discover Wiring Diagram



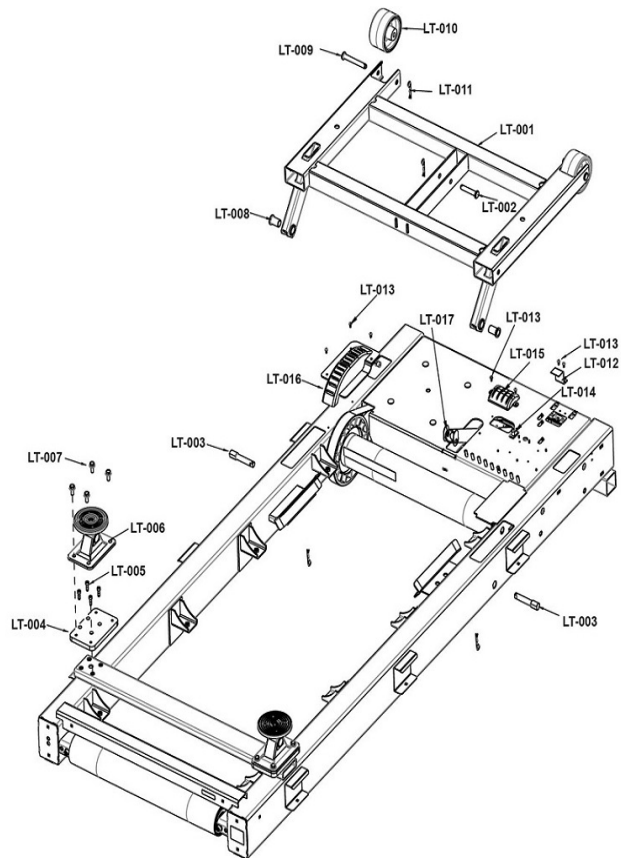
Ref #	Part Number	Qty	Description
CBL-008	1006221-0001	1	CABLE: DISCOVER TO HERCULES ADAPTOR
-	118E-00001-0244	1	Heart Rate Receiver
-	0K39-01044-0001	1	Double-sided Tape
-	AK65-00117-0000	1	Cable: Coded Polar To Tread MIB Extension

Drive Motor



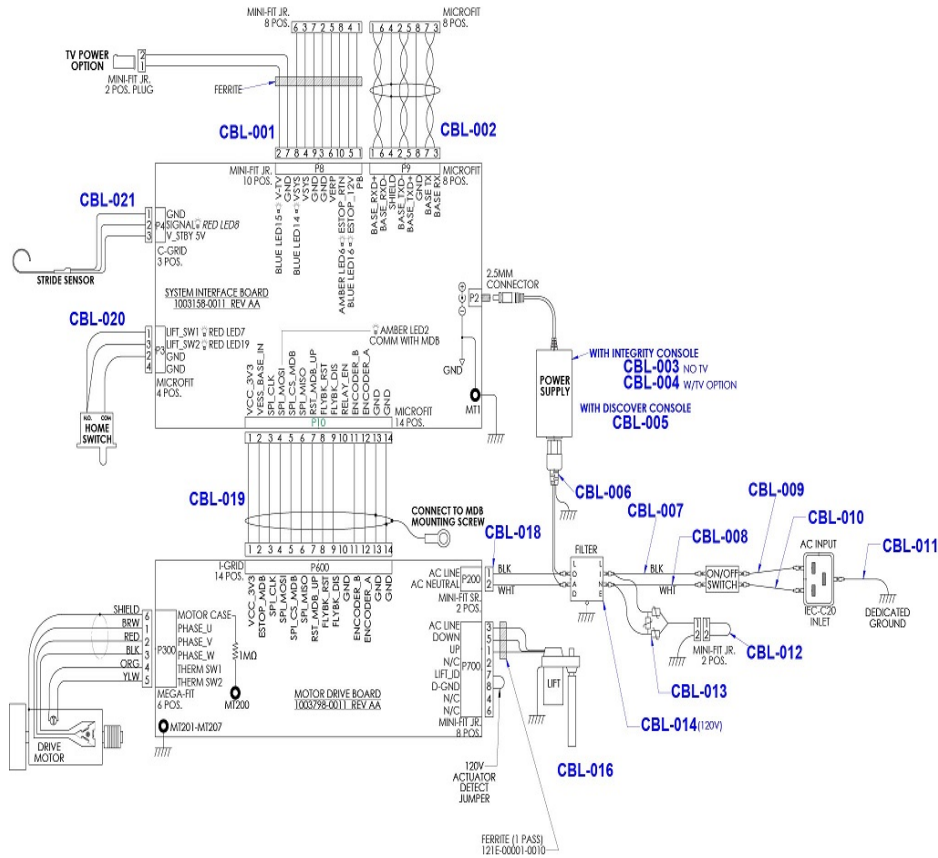
Ref #	Part Number	Qty	Description
DM-001	1002167-0000	1	MOTOR: AC, 4HP, INDUCTION
DM-002	0K58-01256-0001	2	Insulating Pad
DM-003	0017-00104-0409	4	Hardware: Washer 1.125" OD
DM-004	0K58-01255-0000	4	Hardware: Insulating Washers
DM-005	0017-00103-0333	4	Hardware: Hex Nut
DM-006	1001483-0001	1	PULLEY: DRIVE
DM-007	1004627-0001	2	SCREW: M6 X 1.0 X 8, CONE POINT, SET SCREW
DM-008	0K65-01221-0000	1	Flywheel with Fan
DM-009	1005547-0001	1	SCREW: M10 X 1.50 6G6H X 25, UNS, FLG, CS, ST, ZB, W/PATCH
DM-010	1004417-0001	1	BELT: DRIVE
DM-011	1005249-0001	4	SCREW: M6 X 1 X 16, DIN, UNS, HXW, SERRATED, CS, ST, ZB
DM-012	1002171-0001	1	PULLEY: ROLLER
DM-013	1000841-0001	1	ROLLER: FRONT, 3.5" DIA
DM-014	1001382-0001	1	ROLLER: REAR, 3.5" DIA
DM-015	1003849-0001	2	SCREW: M10 X 1.5 X 100, SHCS
DM-016	0017-00104-0470	2	Hardware: Washer 20 MM OD

Lift Frame



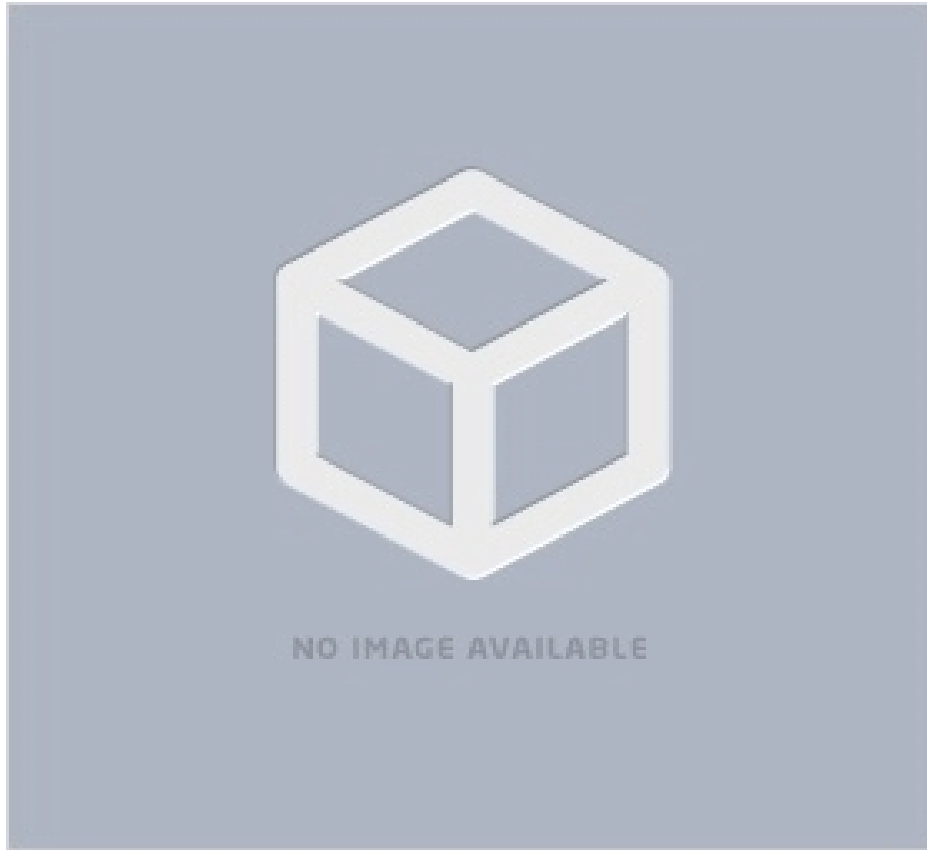
Ref #	Part Number	Qty	Description
LT-002	1002162-0001	1	PIN: M12, CLEVIS
LT-003	1000840-0000	2	SHAFT: LIFT FRAME, PIVOT
LT-004	1008191-0001	2	ADAPTER: LEG LEVELER
LT-005	0017-00101-1902	8	Hardware: Screw 20 MM
LT-006	AK58-00370-0000	2	Leveler Assembly
LT-007	1005191-0001	8	SCREW: M8 X 1.25 6G6H X 20, UNS, HXW, CS, ST
LT-008	1001396-0001	2	BEARING: FLG SLV
LT-009	1008284-0001	2	PIN: M12, CLEVIS
LT-010	1008183-0001	2	WHEEL: LIFT
LT-011	1004469-0001	5	PIN: COTTER
LF-012	1004354-0001	1	BRACKET: CABLE SUPPORT
LF-013	0017-00101-1968	7	Hardware: Ground Screws 10MM
LF-014	0017-00032-0195	1	Home Switch
LF-015	1003252-0001	1	COVER: ACTUATOR, BOTTOM
LF-016	1002721-0001	1	COVER: PULLEY, ROLLER
LF-017	1001392-0001	2	WASHER: EZ GRIP

Lower Base Wiring Diagram



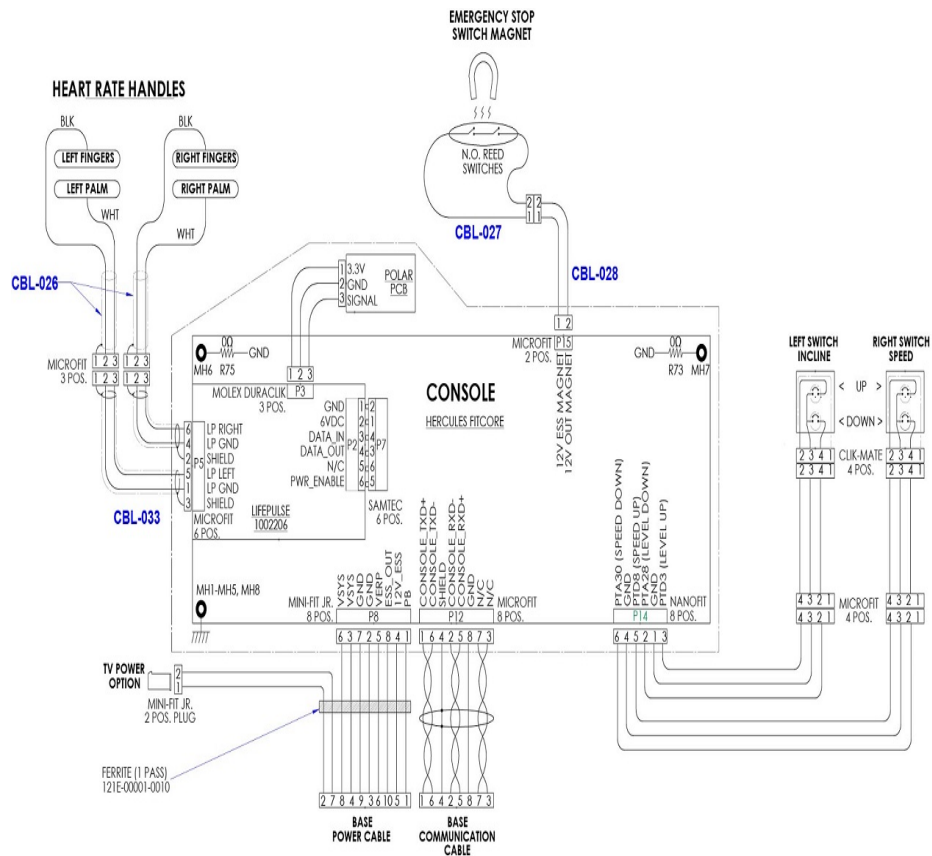
Ref #	Part Number	Qty	Description
CBL-001	1002258-0004	1	CABLE: CONSOLE TO BASE, POWER, 2040MM
CBL-002	1002239-0004	1	CABLE: CONSOLE TO BASE, SIGNAL, 2040MM
CBL-005	1004808-0001	1	POWER SUPPLY: 100-240VAC TO 24VDC, 5A, 2.5MM PLUG
CBL-006	1004563-0001	1	CABLE: LINE FILTER TO POWER SUPPLY
CBL-007	1004044-0002	1	CABLE: SWITCH TO FILTER, BLACK
CBL-008	1004044-0001	1	CABLE: SWITCH TO FILTER, WHITE
CBL-009	1004046-0002	1	CABLE: POWER INPUT, BLACK
CBL-010	1004046-0001	1	CABLE: POWER INPUT, WHITE
CBL-011	1004201-0001	1	CABLE: GROUND
CBL-012	AK58-00263-0000	1	Hi-Pot Jumper Cable
CBL-013	AK58-00224-0001	1	Cable: MOV; Fliter
CBL-014	0017-00003-1015	1	20 amp Line Filter (DOM)
CBL-016	1001013-0003	1	ACTUATOR: LINEAR, 115V
CBL-018	1004045-0001	1	CABLE: POWER INPUT
CBL-019	1004243-0001	1	CABLE: SIB-MDB
CBL-020	AK65-00074-0000	1	Cable: Home Switch
CBL-021	AK58-00560-0000	1	Stride Sensor Assembly

Miscellaneous Planet Fitness



Ref #	Part Number	Qty	Description
-	0017-00042-1082	1	Strap: Cable-Tie: L=15-5/16 IN. S/C#09-B
-	0017-00003-1065	1	LINECORD: RA 45, 120V, 20A, IEC-C19

Upper Base Wiring Diagram



Ref #	Part Number	Qty	Description
CBL-026	1003871-0001	2	CABLE: LIFEPULSE ELECTRODES
CBL-027	AK58-00036-0000	1	Cable-Assembly: Emergency-Stop Switch
CBL-033	1003838-0001	1	CABLE: LIFEPULSE TO ELECTRODES, TREAD
-	AK70-00092-0000	1	CABLE ASSY: CAT5E, V2, 84 INCH
-	AK65-00062-0000	1	Cable: Coax RG6 Base

