

Cross-Trainer Base Titanium

INXD-ALLXX-7201

Parts Manual

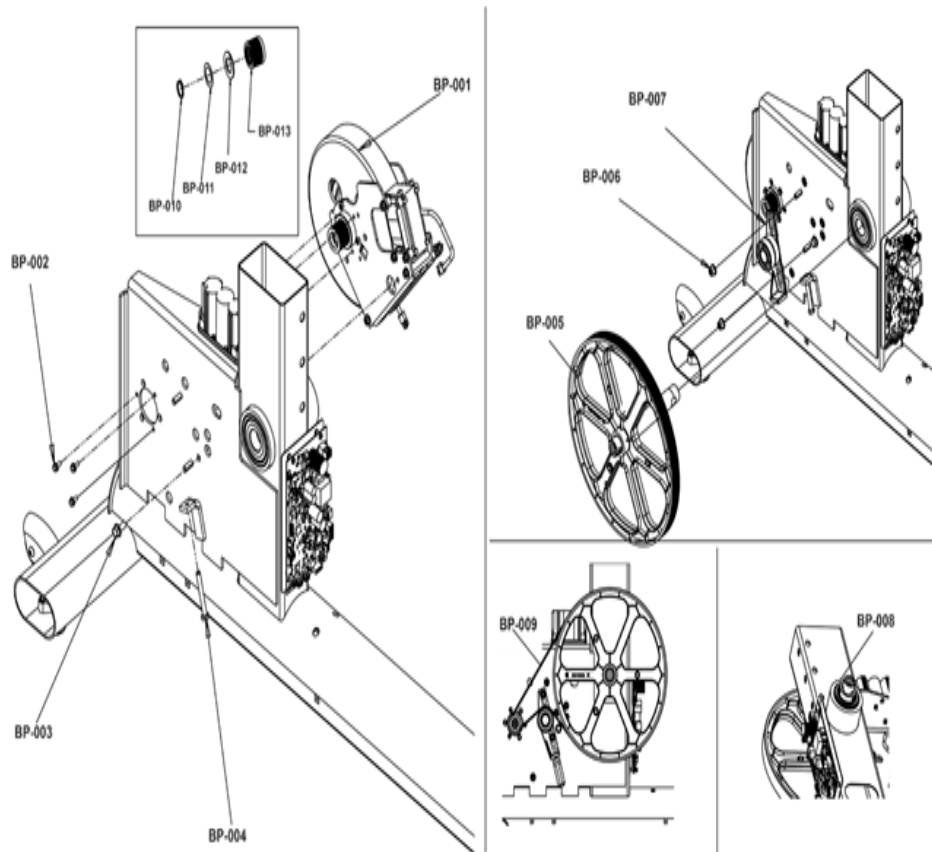
1/8/2019 8:14:35 AM



Table of Contents

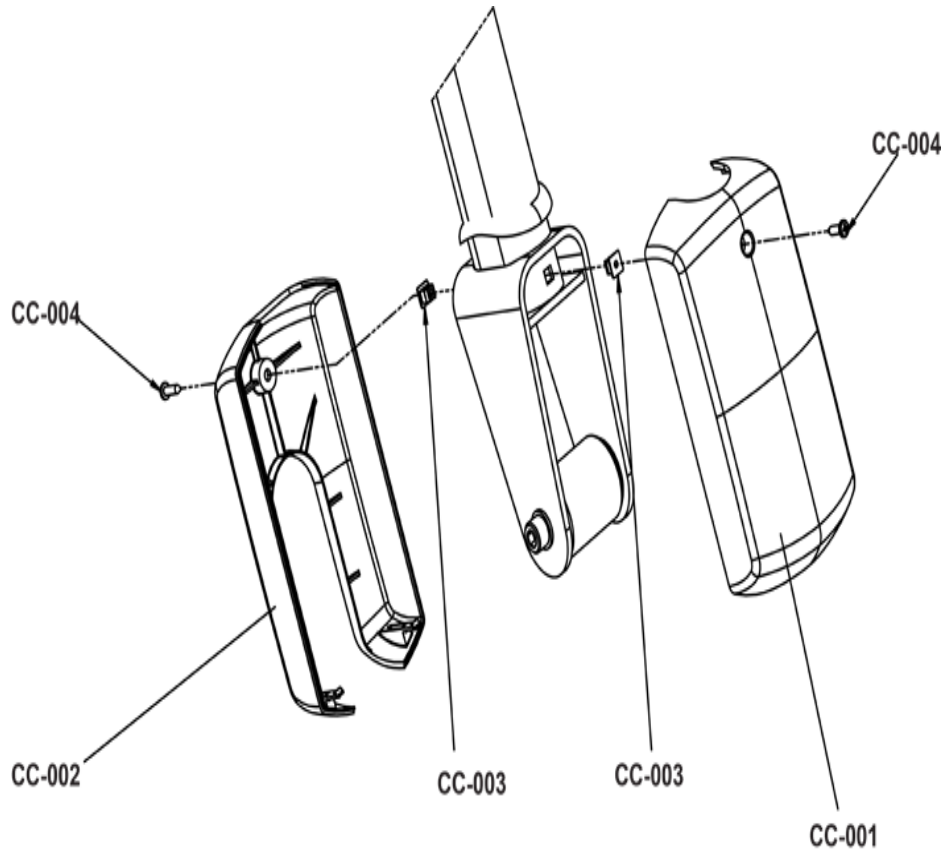
Brake, Pulley & Idler.....	3
Clevis Covers.....	4
Crank Arm.....	5
Deadshaft Covers & Console Back.....	6
Handlebars, Bullhorn & Console Mount.....	7
Leg Levelers, Battery & PCB Assembly.....	8
Link Shrouds.....	9
Pedals & Miscellaneous.....	10
Pedal Levers.....	11
Plugs.....	12
Rocker Arms.....	13
Roller.....	14
Timing Link.....	15
Upper Shrouds & Cup Holder.....	16
Wiring Diagram - Discover.....	17
Wiring Diagram - Integrity.....	18

Brake, Pulley & Idler



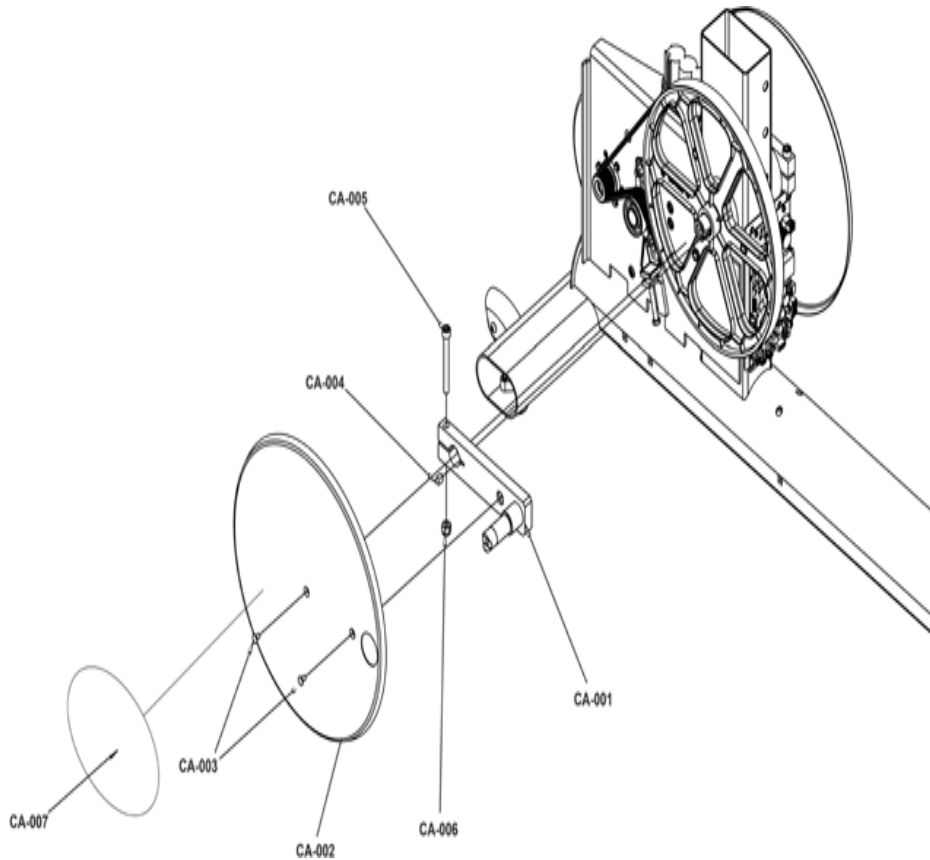
Ref #	Part Number	Qty	Description
BP-001	1003401-0001	1	GENERATOR: W/BRAKE, W/O CLUTCH, 10 RIB PULLEY
			SCREW: M5 X 0.8 6G6G X 12, FLANGE, HEAD, CS, G5, CD
BP-002	0017-00101-2151	3	
BP-003	0017-00101-2150	1	SCREW: M8 X 1.25 6G6H X 20, UHS, HXW, CS, ST, ZB
BP-004	0017-00101-2002	1	Hardware: Tension Bolt 60MM
BP-005	1002566-0000	1	PULLEY: OVERMOLD, SHAFT
BP-006	1003388-0001	2	NUT: M8 X 1.25-6H, DIN, UNF, HEX, LOCKNUT
BP-007	1001619-0001	1	ASSEMBLY: IDLER
BP-008	1001022-0001	1	BEARING: 62 MM X 30, BALL, INSERT
BP-009	1002564-0001	1	BELT: POLY-V, 550 J10
BP-010	0017-00100-0257	1	Retaining Ring
BP-011	0017-00104-0498	1	Hardware: Shaft Washer Small .734' OD
BP-012	0K66-01237-0000	1	Hardware: Shaft Washer Large
BP-013	AK66-00165-0000	1	NC: PULLEY ASSY: W/CLUTCH, UNIPLATE, ISO/DIN

Clevis Covers



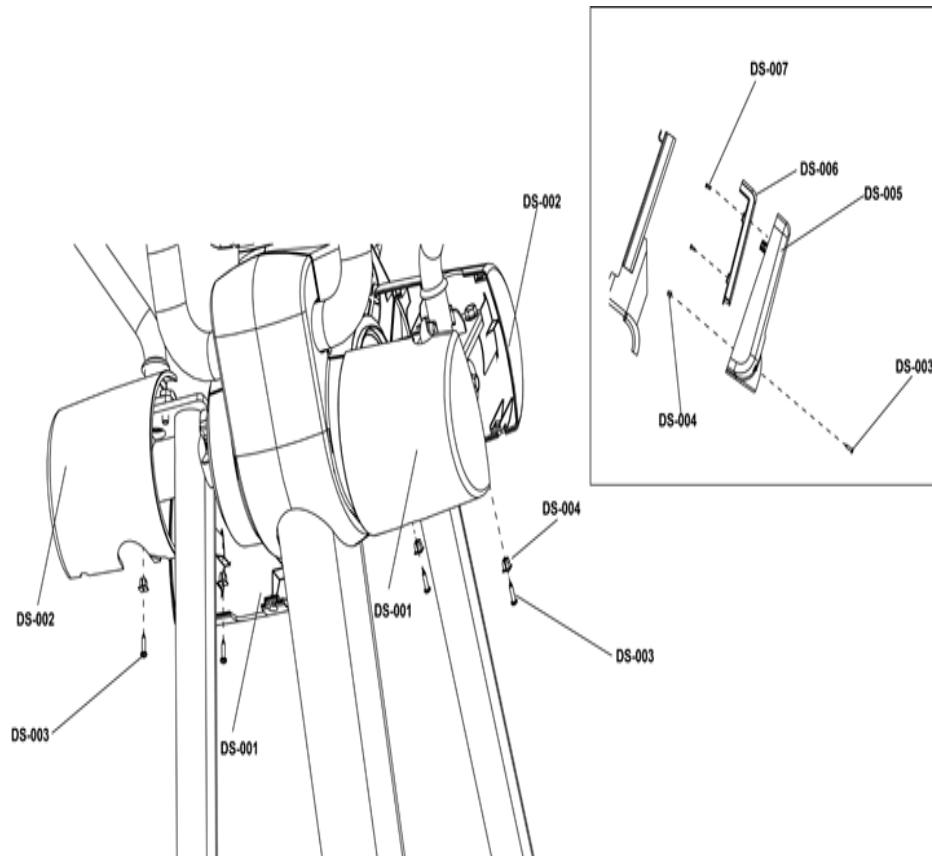
Ref #	Part Number	Qty	Description
CC-001	1002594-2400	2	SHROUD: CLEVIS, FRONT, CHARCOAL GRAY
CC-002	1002595-2400	2	SHROUD: CLEVIS, BACK, CHARCOAL GRAY
CC-003	0017-00042-1147	4	Hardware: Nylon Grommet
CC-004	0017-00101-1796	4	Hardware: Mounting Screw 19 MM

Crank Arm



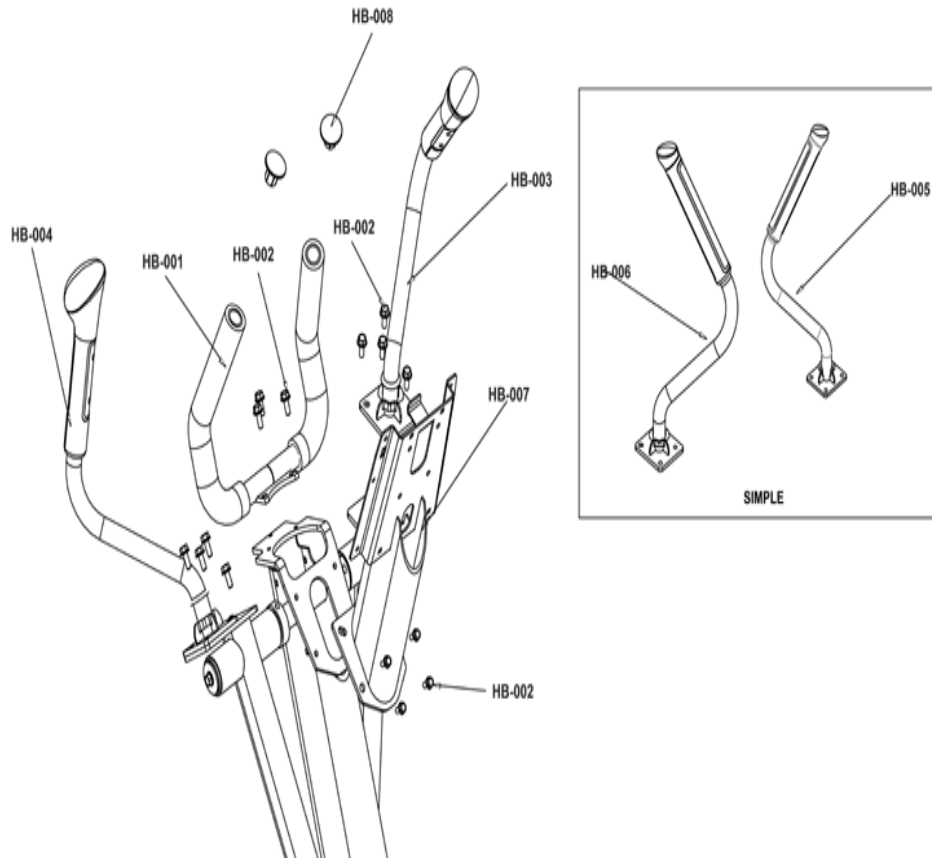
Ref #	Part Number	Qty	Description
CA-001	1001018-0001	2	WELDMENT: CRANK ARM
CA-002	1001020-7100	2	COVER: CRANK ARM, PEARLESCENT WHITE ROBUST
CA-002	1001020-7400	2	COVER: CRANK ARM, CHARCOAL GRAY ROBUST
CA-002	1001020-7300	2	COVER: CRANK ARM, METALLIC BLACK ROBUST
CA-002	1001020-7200	2	COVER: CRANK ARM, TITANIUM ROBUST
CA-002	1001020-5100	2	COVER: CRANK ARM, ARCTIC SILVER ROBUST
CA-003	0017-00101-1988	4	Hardware: Outside Crank Cover Mounting Screw 14MM
CA-004	1002599-0001	2	KEY: 7 X 8
CA-005	1000721-0001	2	SCREW: M10 X 1.5 X 85, SHCS
CA-006	0017-00103-0334	2	Hardware: Nut 10 MM

Deadshaft Covers & Console Back



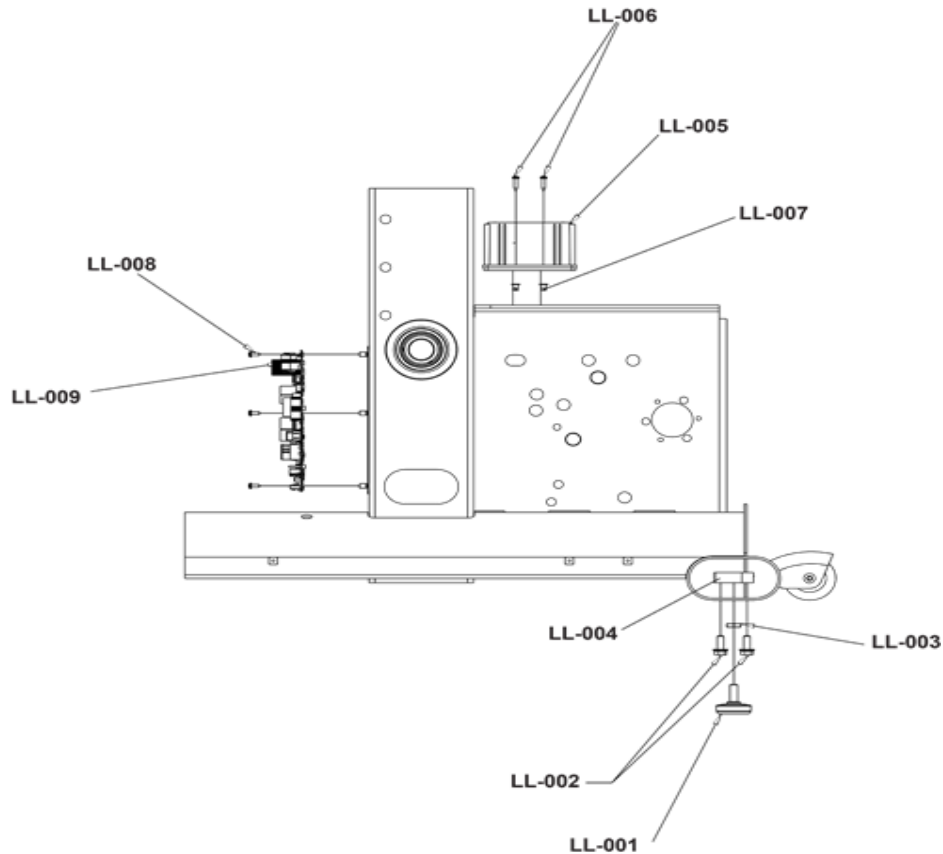
Ref #	Part Number	Qty	Description
DS-001	1002573-2400	2	SHROUD: DEADSHAFT, A, CHARCOAL GRAY
DS-002	1002574-2400	2	SHROUD: DEADSHAFT, B, CHARCOAL GRAY
DS-003	0017-00101-1796	6	Hardware: Mounting Screw 19 MM
DS-004	0017-00042-1147	6	Hardware: Nylon Grommet
DS-005	1002578-2400	1	SHROUD: CONSOLE, BACK, CHARCOAL GRAY
DS-006	1001609-2400	1	SHROUD: REAR, FILLER, CHARCOAL GRAY
DS-007	0017-00101-1650	4	Hardware: Phillips Pan Screw 0.375"

Handlebars, Bullhorn & Console Mount



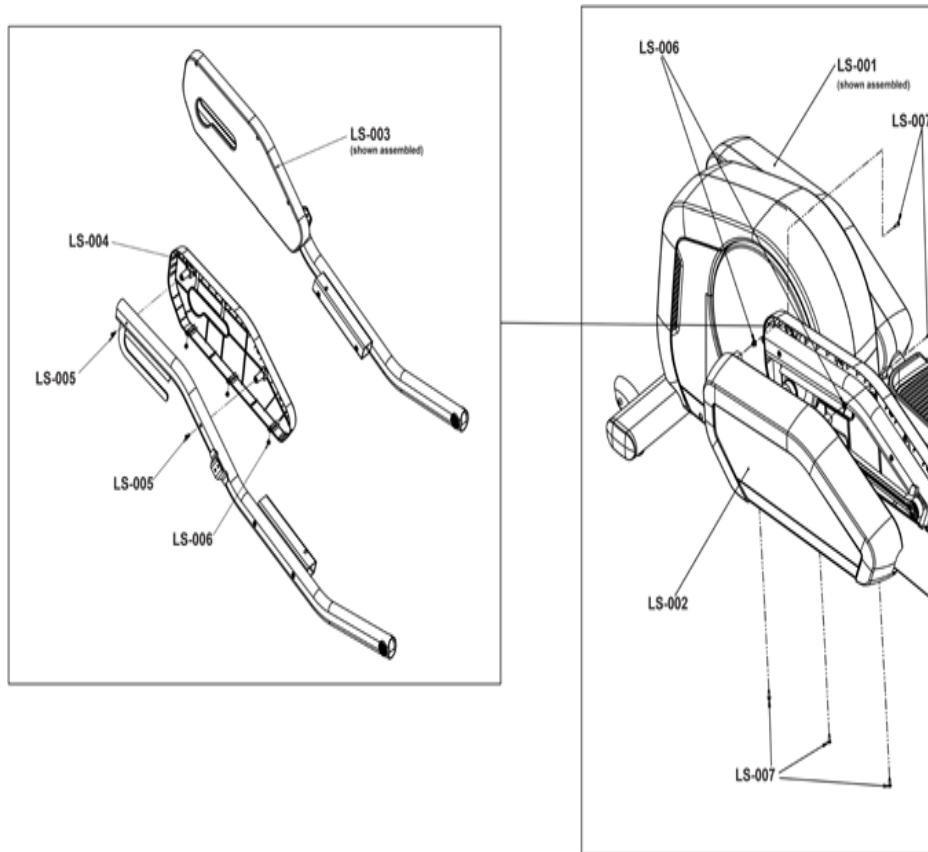
Ref #	Part Number	Qty	Description
HB-001	1001059-0700	1	WELDMNT: BULLHORN, BLACK
HB-002	0017-00101-2150	15	SCREW: M8 X 1.25 6G6H X 20, UHS, HXW, CS, ST, ZB
HB-003	1003361-7401	1	ASSEMBLY: HANDLEBAR, FEATURED, LEFT, CHARCOAL GRAY ROBUST
HB-004	1003362-7401	1	ASSEMBLY: HANDLEBAR, FEATURED, RIGHT, CHARCOAL GRAY ROBUST
HB-005	1003359-7401	1	ASSEMBLY: HANDLEBAR, SIMPLE, LEFT, CHARCOAL GRAY ROBUST
HB-006	1003360-7401	1	ASSEMBLY: HANDLEBAR, SIMPLE, RIGHT, CHARCOAL GRAY ROBUST
HB-007	1001029-7300	1	WELDMNT: CONSOLE MOUNT, METALLIC BLACK ROBUST
HB-007	1001029-7100	1	WELDMNT: CONSOLE MOUNT, PEARLESCENT WHITE ROBUST
HB-007	1001029-5100	1	WELDMNT: CONSOLE MOUNT, ARCTIC SILVER ROBUST
HB-007	1001029-7200	1	WELDMNT: CONSOLE MOUNT TITANIUM
HB-008	0K63-01114-0000	2	Cap
HB-008	0K63-01114-2402	2	ENDCAP: HANDLEBAR; CHGR
HB-008	0K63-01114-0001	2	Bullhorn Cap
HB-008	0K63-01114-0002	2	Handlebar End Cap

Leg Levelers, Battery & PCB Assembly



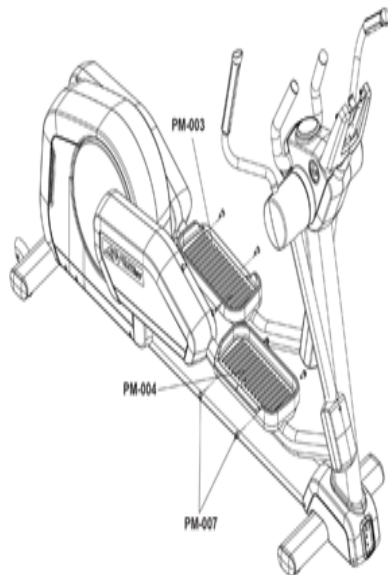
Ref #	Part Number	Qty	Description
LL-001	0K62-01178-0000	4	Leg Leveler
LL-002	0017-00101-2150	8	SCREW: M8 X 1.25 6G6H X 20, UHS, HXW, CS, ST, ZB
LL-003	0017-00103-0330	4	Hardware: Nut 10 MM ID
LL-004	1001040-0001	4	BLOCK: LEVELER
LL-005	0017-00003-0685	1	6V Battery
LL-006	0017-00101-1796	2	Hardware: Mounting Screw 19 MM
LL-007	0017-00042-1147	2	Hardware: Nylon Grommet
LL-008	0017-00101-1989	5	Hardware: M4 6G6G X 10 DIN PHI PAN ZN
LL-009	1003117-0011	1	PCB ASSEMBLY: RESISTANCE CONTROL

Link Shrouds

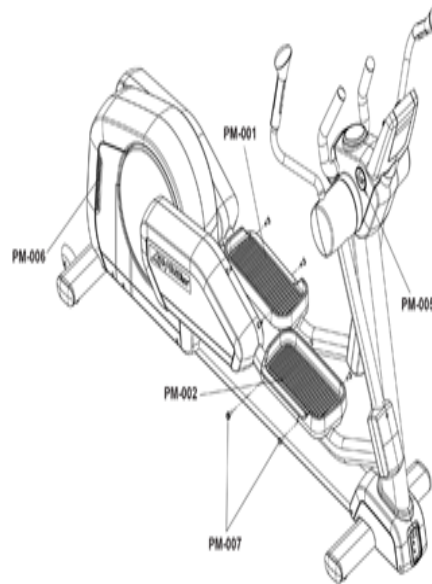


Ref #	Part Number	Qty	Description
LS-001	1002593-2400	1	SHROUD: LINK, OUTER, LEFT, CHARCOAL GRAY
LS-002	1002592-2400	1	SHROUD: LINK, OUTER, RIGHT, CHARCOAL GRAY
LS-003	1002589-2400	1	SHROUD: LINK, INNER, LEFT, CHARCOAL GRAY
LS-004	1002588-2400	1	SHROUD: LINK, INNER, RIGHT, CHARCOAL GRAY
LS-005	0017-00101-2138	4	SCREW: M6 X 1.0 X 16, DIN, PHL, PAN, MS, ST, ZB
LS-006	0017-00042-1147	6	Hardware: Nylon Grommet
LS-007	0017-00101-1796	6	Hardware: Mounting Screw 19 MM

Pedals & Miscellaneous



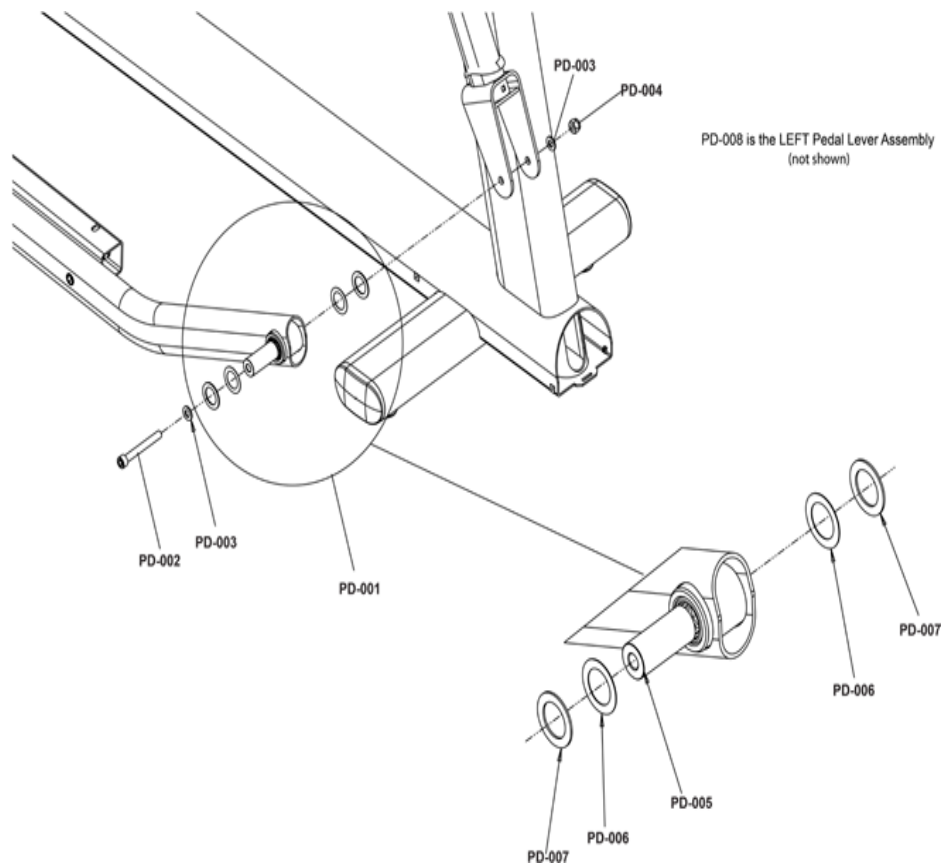
Simple



Featured

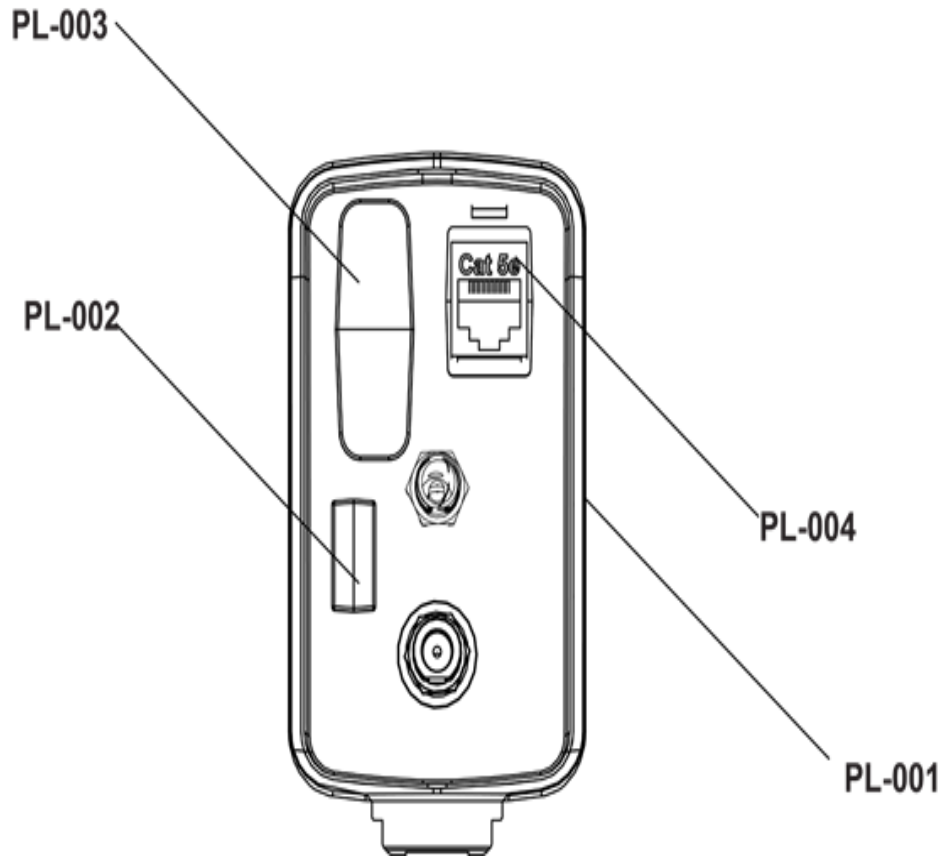
Ref #	Part Number	Qty	Description
PM-001,P M-003	1008296-0001	2	ASSEMBLY: PEDAL W/LABEL; LEFT
PM-002,P M-004	1008297-0001	2	ASSEMBLY: PEDAL W/LABEL; RIGHT
PM-005	AK58-00245-2401	1	MEDALLION-ASSY: BUG, LIFE FITNESS, CHARCOAL GRAY
PM-005	AK58-00245-0001	1	Bug Medallion
PM-005	AK58-00245-0000	1	Bug Medallion
PM-006	1005455-0001	1	DECAL: REAR SHROUD VENT, CROSSTRAINER
PM-007	0017-00101-2150	1	SCREW: M8 X 1.25 6G6H X 20, UHS, HXW, CS, ST, ZB

Pedal Levers



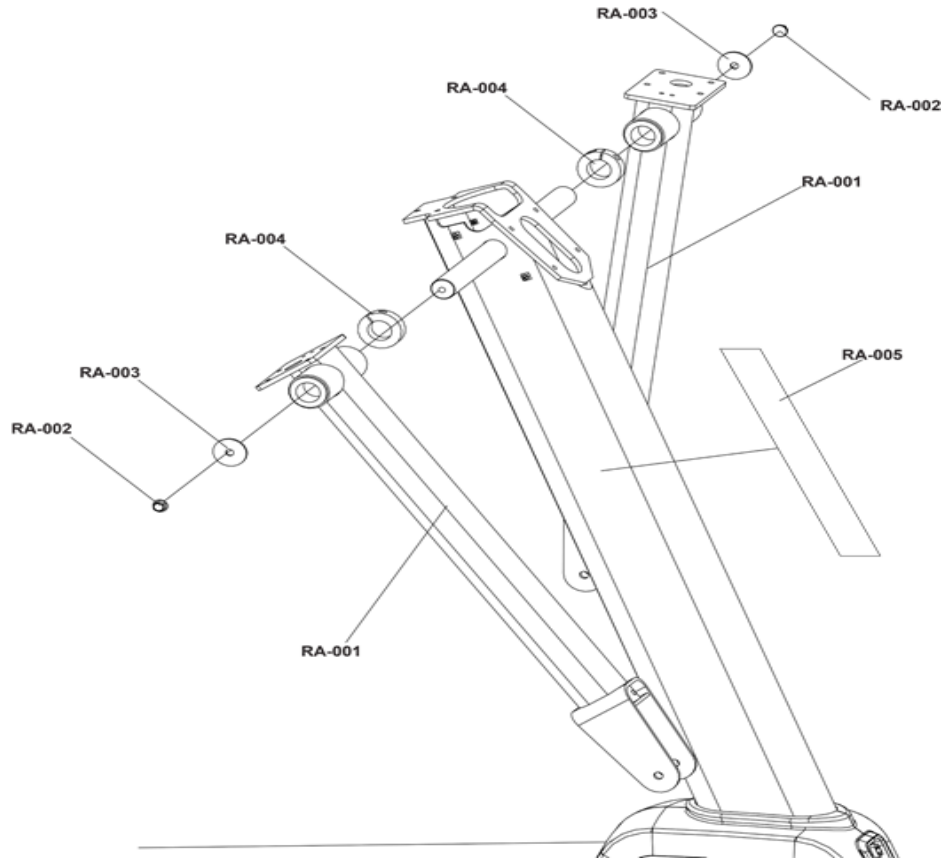
Ref #	Part Number	Qty	Description
PD-001	1001097-7400	1	ASSEMBLY: PEDAL LEVER, RIGHT, W/HARDWARE, CHARCOAL GRAY ROBUST
PD-002	1000721-0001	2	SCREW: M10 X 1.5 X 85, SHCS
PD-003	0017-00104-0470	4	Hardware: Washer 20 MM OD
PD-004	0017-00103-0334	2	Hardware: Nut 10 MM
PD-005	0K69-01075-0000	2	Shaft
PD-006	0K69-01190-0000	4	Hardware: Steel Thrust Washer
PD-007	0K47-01104-0000	4	Hardware: Thrust Washer
PD-008	1001096-7400	1	ASSEMBLY: PEDAL LEVER, LEFT, W/HARDWARE, CHARCOAL GRAY ROBUST

Plugs



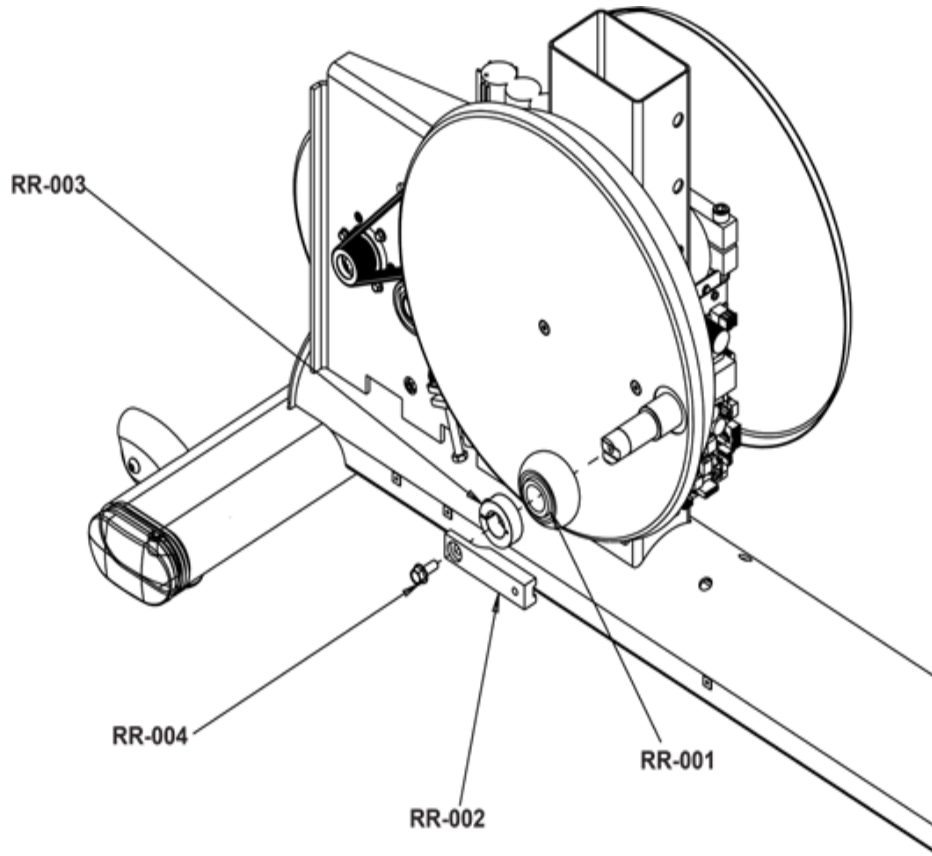
Ref #	Part Number	Qty	Description
PL-001	1002587-2400	1	SHROUD: COMMUNICATION PORT, CHARCOAL GRAY
PL-002	1005470-0700	1	PLUG: IR PORT, BLACK
PL-003	1005393-0700	1	PLUG: HDMI, BLACK
PL-004	1004601-0001	1	PLUG: RJ45 RECEPTACLE

Rocker Arms



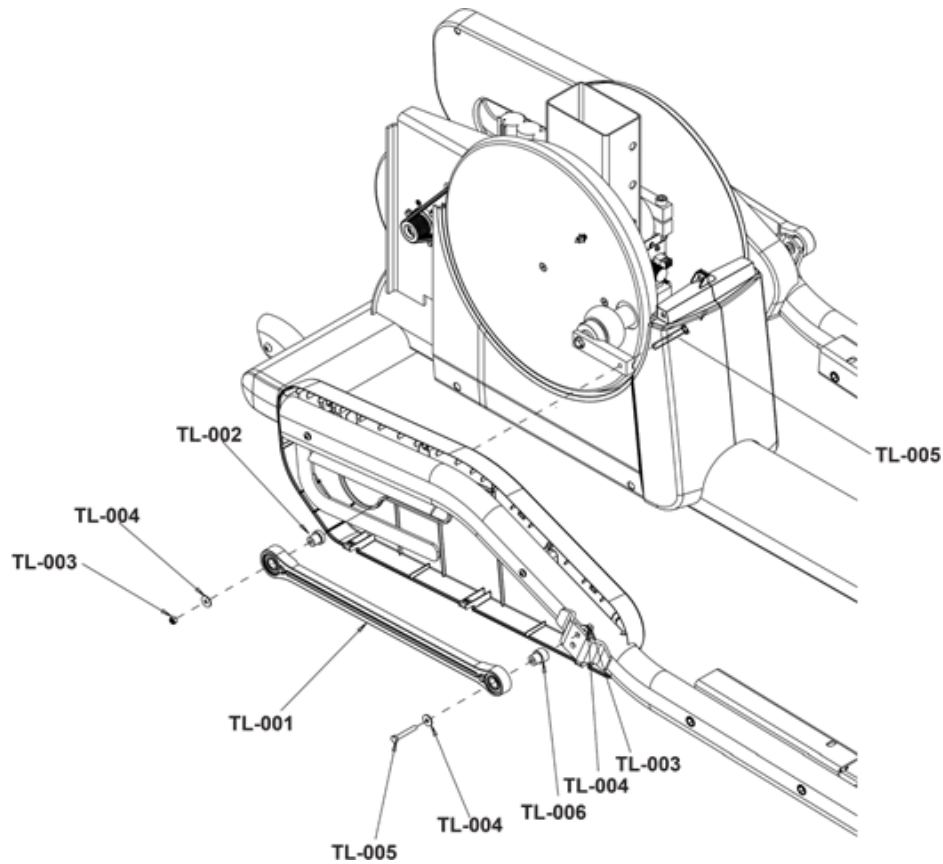
Ref #	Part Number	Qty	Description
RA-001	1001048-7400	2	ASSEMBLY: ROCKER ARM, CHARCOAL GREY ROBUST
RA-002	0017-00101-2150	2	SCREW: M8 X 1.25 6G6H X 20, UHS, HXW, CS, ST, ZB
RA-003	0017-00104-0454	2	Hardware: Flat Washer 1.62" OD
RA-004	0K69-01018-0000	2	Shaft Collar

Roller



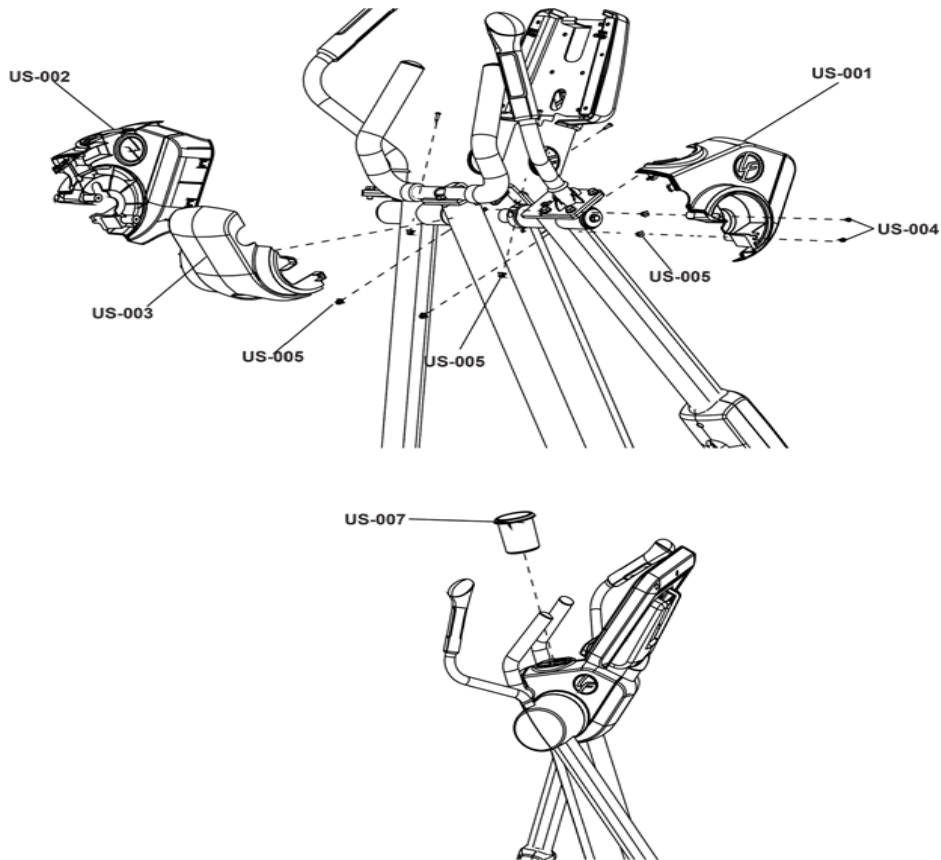
Ref #	Part Number	Qty	Description
RR-001	GK61-00002-0027	2	Roller Bearing Assembly
RR-002	1001015-0001	2	BAR: EXTENSION ARM
RR-003	1001037-0001	2	COLLAR: SHAFT, SPLIT, 25mm
RR-004	0017-00101-2150	2	SCREW: M8 X 1.25 6G6H X 20, UHS, HXW, CS, ST, ZB

Timing Link



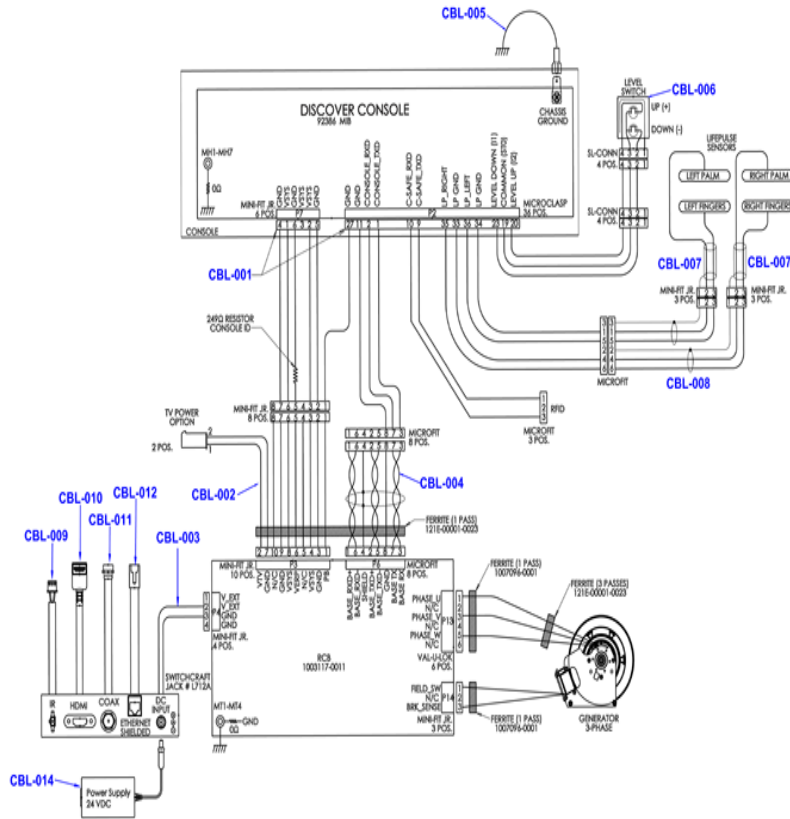
Ref #	Part Number	Qty	Description
TL-001	1003902-0001	2	ASSEMBLY: TIE ROD, W/SELF-ALIGN BRG
TL-002	1003903-0001	2	BUSHING: BEARING, TIMING LINK
TL-003	0017-00103-0378	4	NUT: M6 X 1-6H6H, DIN, LOCKNUT, ST, BZ
TL-004	0017-00104-0468	6	Hardware: Washer 18 MM OD
TL-005	0017-00101-2064	4	SCREW: M6 X 1 X 40, HEX HEAD, CAP
TL-006	1004789-0001	2	BUSHING: BEARING, TIMING LINK

Upper Shrouds & Cup Holder



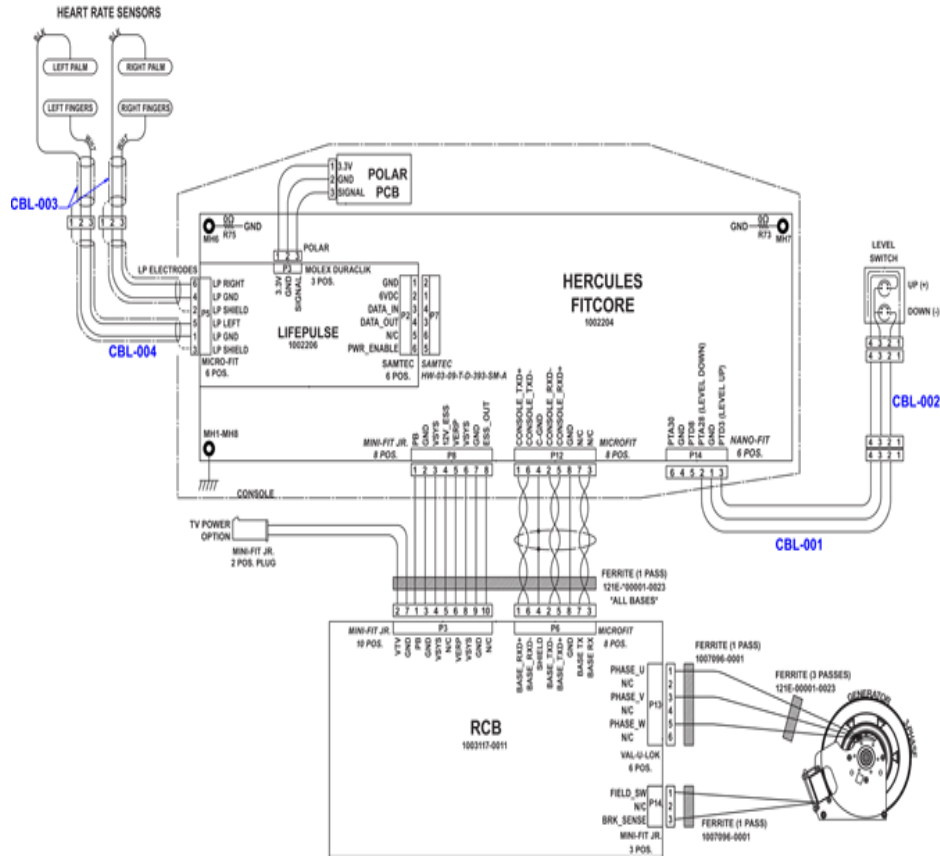
Ref #	Part Number	Qty	Description
US-001	1002575-2400	1	SHROUD: UPPER, RIGHT, CHARCOAL GRAY
US-002	1002576-2400	1	SHROUD: UPPER, LEFT, CHARCOAL GRAY
US-003	1002577-2400	1	SHROUD: UPPER, MIDDLE, CHARCOAL GRAY
US-004	0017-00101-1846	4	Hardware: Phillips Pan Screw 10 MM
US-005	0017-00042-1147	12	Hardware: Nylon Grommet
US-006	0017-00101-1796	8	Hardware: Mounting Screw 19 MM
US-007	1001034-2400	1	CUPHOLDER: LOCKING, CHARCOAL GRAY

Wiring Diagram - Discover



Ref #	Part Number	Qty	Description
CBL-002	1002258-0003	1	CABLE: CONSOLE TO BASE, POWER, 3625MM
CBL-003,C BL-013	1003521-0003	2	CABLE: POWER, RCB TO PANEL, 5A, CROSSTRAINER
CBL-004	1002239-0003	1	CABLE: CONSOLE TO BASE, SIGNAL, 3625MM
CBL-005	AK65-00103-0002	1	CBL ASSY: GROUND, ESD
CBL-006	118E-00001-0304	1	KEYPAD: HANDLE GRIP
CBL-007	1003871-0002	1	CABLE: LIFEPUULSE ELECTRODES, CROSSTRAINER
CBL-008	1003838-0002	1	CABLE: LIFEPUULSE TO ELECTRODE, CROSSTRAINER
CBL-009	1001671-0003	1	CABLE: IR, CONSOLE TO PANEL, CROSSTRAINER
CBL-010	1001653-0003	1	CABLE ASSY: HDMI, PANEL MOUNT, RIGHT, CROSSTRAINER
CBL-011	AK65-00062-0000	1	Cable: Coax RG6 Base

Wiring Diagram - Integrity



Ref #	Part Number	Qty	Description
CBL-001	1006912-0001	1	CABLE: CONSOLE TO BASE KEYPAD, CROSSTRAINER
CBL-002	1004559-0001	1	CABLE: KEYPAD EXTENSION
CBL-003	1003871-0002	1	CABLE: LIFE PULSE ELECTRODES, CROSSTRAINER
CBL-004	1003838-0002	1	CABLE: LIFE PULSE TO ELECTRODE, CROSSTRAINER

