

# Cross-Trainer Base Dom

INXS-ALLXX-01PF

## Parts Manual

1/5/2019 14:38:24 PM



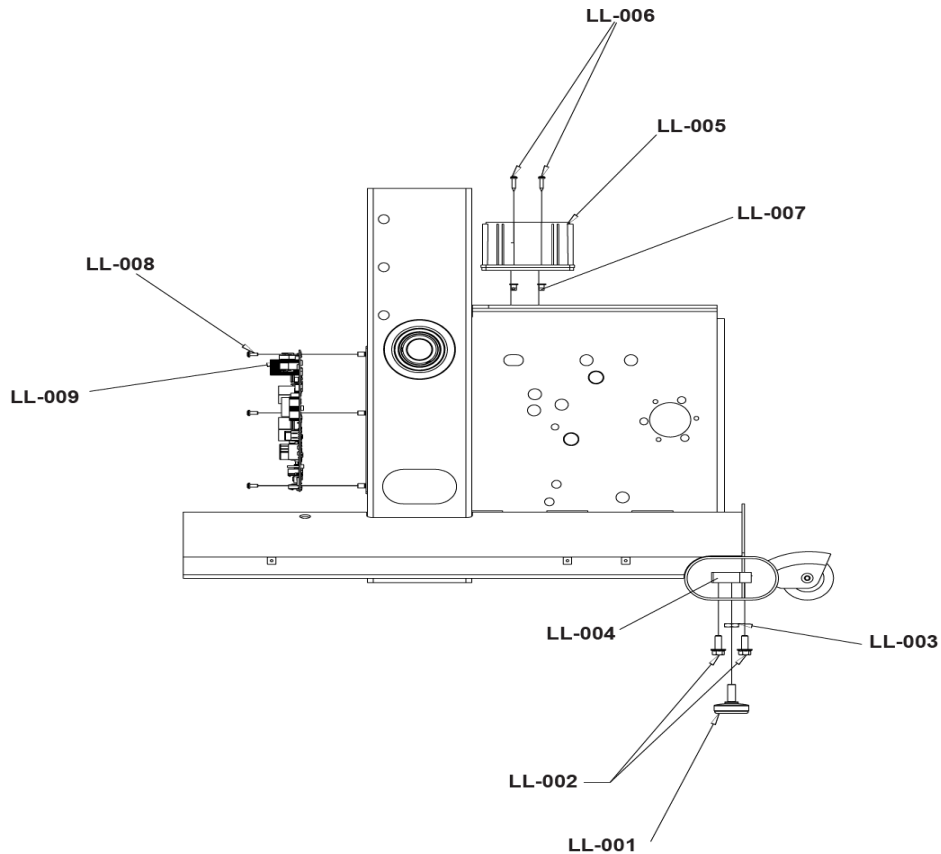
**Life Fitness**  
WHAT WE LIVE FOR

**Table of Contents**

---

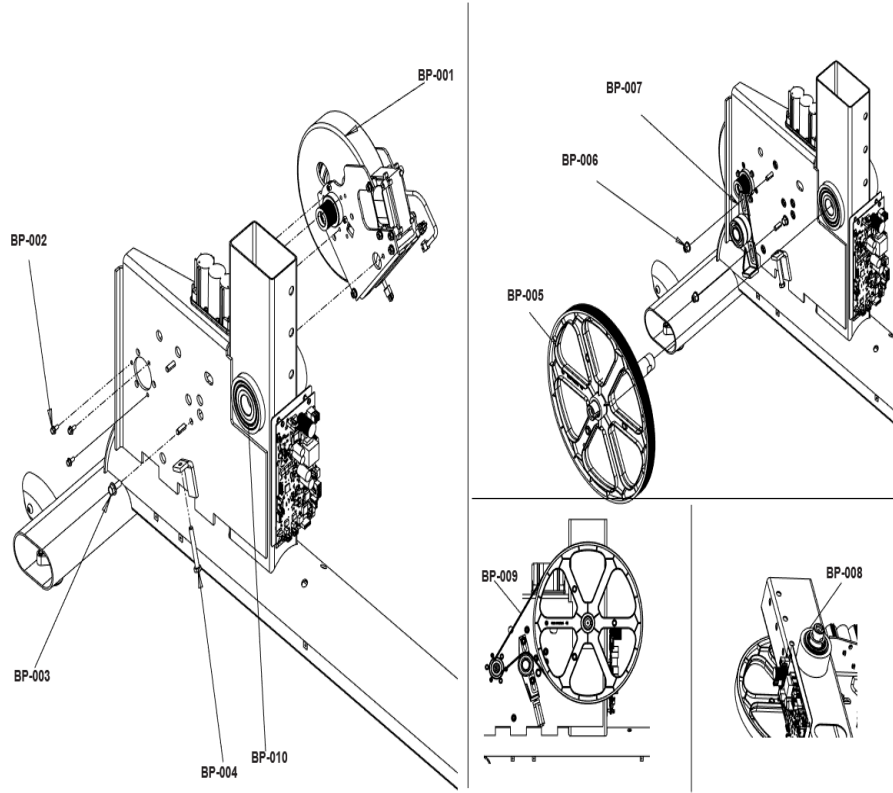
<a href="#">Battery and Leg Levelers</a> .....	3
<a href="#">Brake Pulley Idler</a> .....	4
<a href="#">Clevis Cover</a> .....	5
<a href="#">Crank Arm</a> .....	6
<a href="#">Deadshaft Covers</a> .....	7
<a href="#">Front Rollers and Plugs</a> .....	8
<a href="#">Handle Bars</a> .....	9
<a href="#">Link Shrouds</a> .....	10
<a href="#">Pedals</a> .....	11
<a href="#">Pedal Levers</a> .....	12
<a href="#">Rear Shrouds</a> .....	13
<a href="#">Rocker Arm</a> .....	14
<a href="#">Roller</a> .....	15
<a href="#">Timing Link</a> .....	16
<a href="#">Upper Shrouds</a> .....	17
<a href="#">Wiring Diagram - Base</a> .....	18
<a href="#">Wiring Diagram - Integrity</a> .....	19

## Battery and Leg Levelers



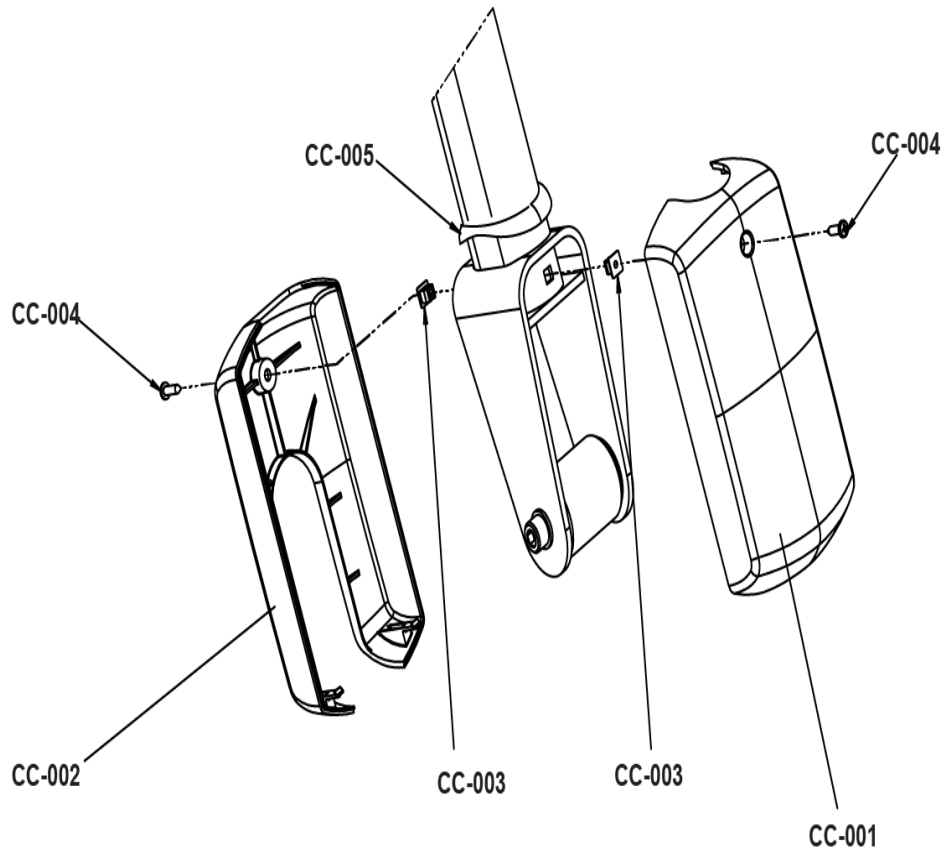
Ref #	Part Number	Qty	Description
LL-001	0K62-01178-0000	4	Leg Leveler
LL-002	0017-00101-2150	8	SCREW: M8 X 1.25 6G6H X 20, UHS, HXW, CS, ST, ZB
LL-003	0017-00103-0330	4	Hardware: Nut 10 MM ID
LL-004	1001040-0001	4	BLOCK: LEVELER
LL-005	0017-00003-0685	1	6V Battery
LL-006	0017-00101-1796	2	Hardware: Mounting Screw 19 MM
LL-007	0017-00042-1147	2	Hardware: Nylon Grommet
LL-008	0017-00101-1989	5	Hardware: M4 6G6G X 10 DIN PHI PAN ZN
LL-009	1003117-0011	1	PCB ASSEMBLY: RESISTANCE CONTROL

## Brake Pulley Idler



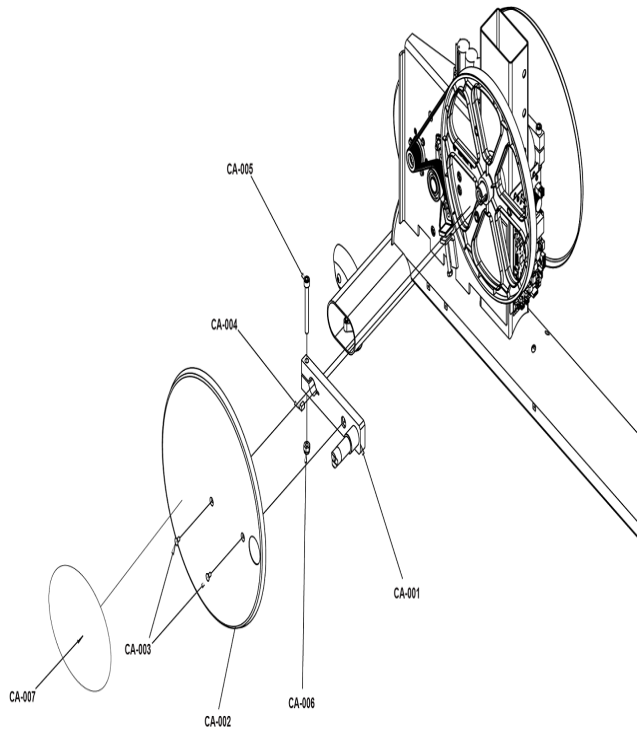
Ref #	Part Number	Qty	Description
BP-001	1003401-0001	1	GENERATOR: W/BRAKE, W/O CLUTCH, 10 RIB PULLEY
			SCREW: M5 X 0.8 6G6G X 12, FLANGE, HEAD, CS, G5, CD
BP-002	0017-00101-2151	3	
BP-003	0017-00101-2150	1	SCREW: M8 X 1.25 6G6H X 20, UHS, HXW, CS, ST, ZB
BP-004	0017-00101-2002	1	Hardware: Tension Bolt 60MM
BP-005	1002566-0000	1	PULLEY: OVMOLD, SHAFT
BP-006	1003388-0001	2	NUT: M8 X 1.25-6H, DIN, UNF, HEX, LOCKNUT
BP-007	1001619-0001	1	ASSEMBLY: IDLER
BP-008	1001022-0001	1	BEARING: 62 MM X 30, BALL, INSERT
BP-009	1002564-0001	1	BELT: POLY-V, 550 J10
BP-010	1001108-0001	1	BEARING: 30 MM X 72, SINGLE ROW, DG

## Clevis Cover



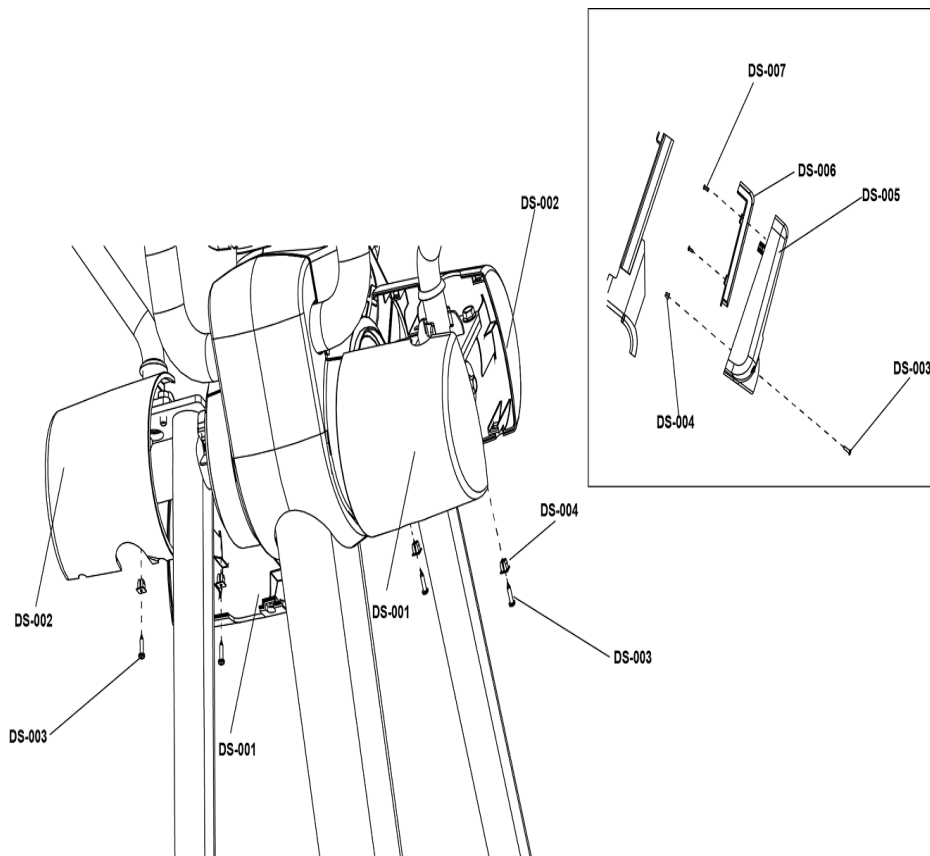
Ref #	Part Number	Qty	Description
CC-001	1002594-2400	2	SHROUD: CLEVIS, FRONT, CHARCOAL GRAY
CC-002	1002595-2400	2	SHROUD: CLEVIS, BACK, CHARCOAL GRAY
CC-003	0017-00042-1147	4	Hardware: Nylon Grommet
CC-004	0017-00101-1796	4	Hardware: Mounting Screw 19 MM
CC-005	1002567-0000	2	GASKET: ROCKER ARM

## Crank Arm



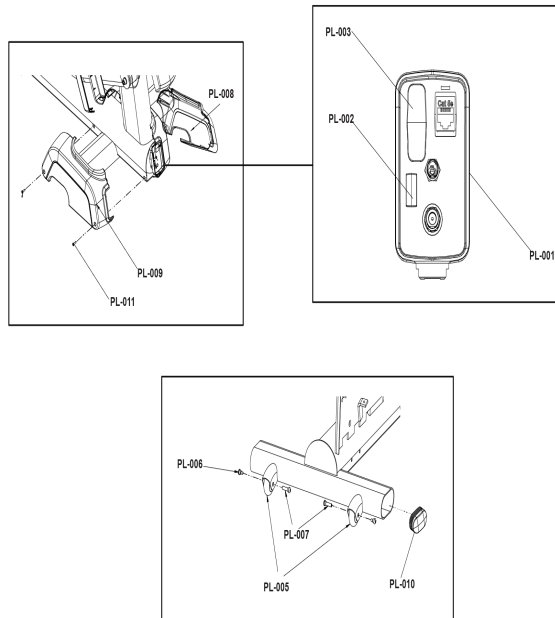
Ref #	Part Number	Qty	Description
CA-001	1001018-0001	2	WELDMENT: CRANK ARM
CA-002	1001020-7400	2	COVER: CRANK ARM, CHARCOAL GRAY ROBUST
CA-003	0017-00101-1988	4	Hardware: Outside Crank Cover Mounting Screw 14MM
CA-004	1002599-0001	2	KEY: 7 X 8
CA-005	1000721-0001	2	SCREW: M10 X 1.5 X 85, SHCS
CA-006	0017-00103-0334	2	Hardware: Nut 10 MM
CA-007	1006633-0001	2	LABEL: PF, CROSS-TRAINER, PIZZA PAN

## Deadshaft Covers



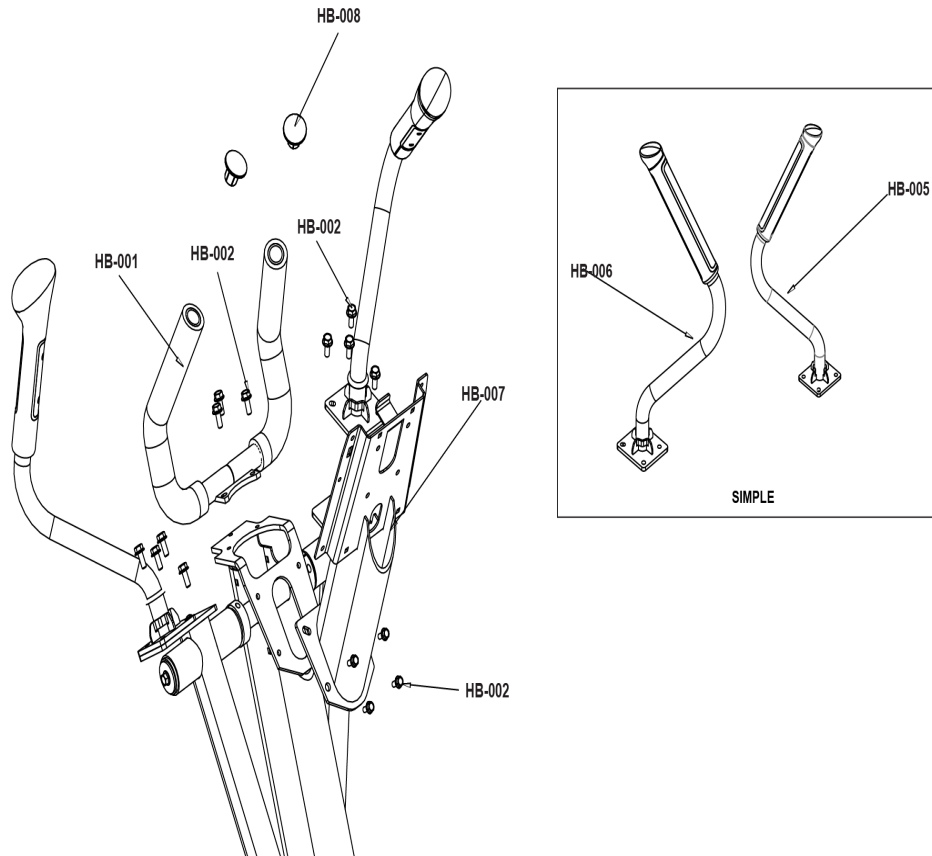
Ref #	Part Number	Qty	Description
DS-001	1002573-2400	2	SHROUD: DEADSHAFT, A, CHARCOAL GRAY
DS-002	1002574-2400	2	SHROUD: DEADSHAFT, B, CHARCOAL GRAY
DS-003	0017-00101-1796	6	Hardware: Mounting Screw 19 MM
DS-004	0017-00042-1147	6	Hardware: Nylon Grommet
DS-005	1002578-2400	1	SHROUD: CONSOLE, BACK, CHARCOAL GRAY
DS-006	1001609-2400	1	SHROUD: REAR, FILLER, CHARCOAL GRAY
DS-007	0017-00101-1650	4	Hardware: Phillips Pan Screw 0.375"

## Front Rollers and Plugs



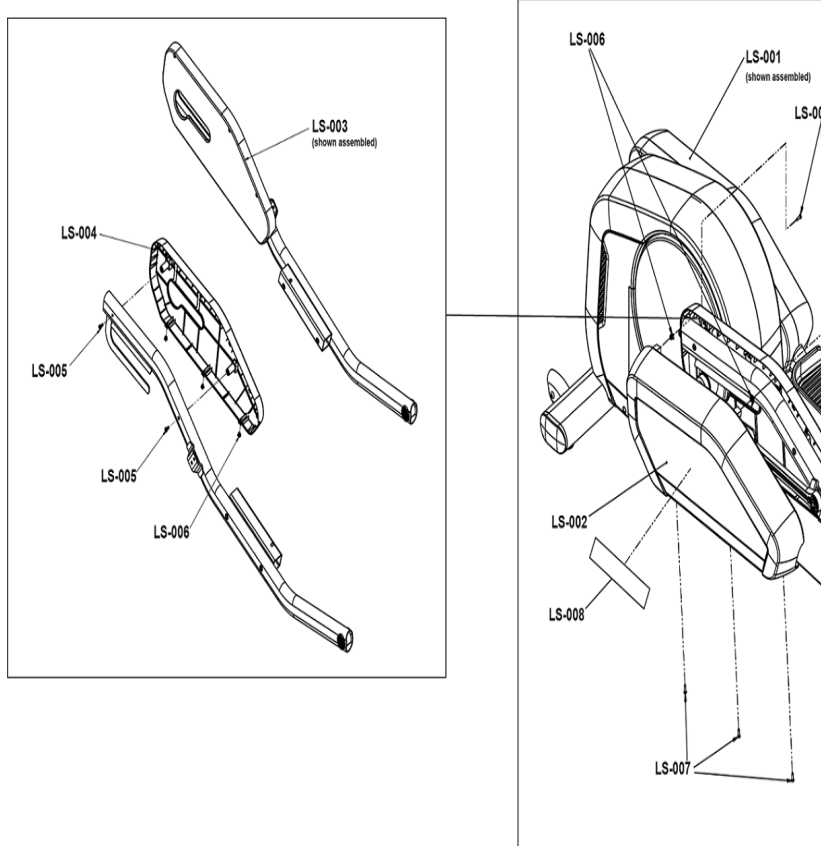
Ref #	Part Number	Qty	Description
PL-001	1002587-2400	1	SHROUD: COMMUNICATION PORT, CHARCOAL GRAY
PL-002	1005470-0700	1	PLUG: IR PORT, BLACK
PL-003	1005393-0700	1	PLUG: HDMI, BLACK
PL-005	1005421-0000	2	ASSEMBLY: FRONT ROLLER
PL-006	1001038-0001	2	SCREW: M6 X 1.0, SHOULDER
PL-007	1001628-0001	2	NUT: SHAFT, BARREL, 8MM DIA, 30MM LONG
PL-008	1002581-2400	1	SHROUD: MONOCOLUMN, LOWER, LEFT, CHARCOAL GRAY
PL-009	1002582-2400	1	SHROUD: MONOCOLUMN, LOWER, RIGHT, CHARCOAL GRAY
PL-010	1002166-0700	4	ENDCAP: LARGE FLOV, BLACK
PL-011	0017-00101-1796	2	Hardware: Mounting Screw 19 MM

# Handle Bars



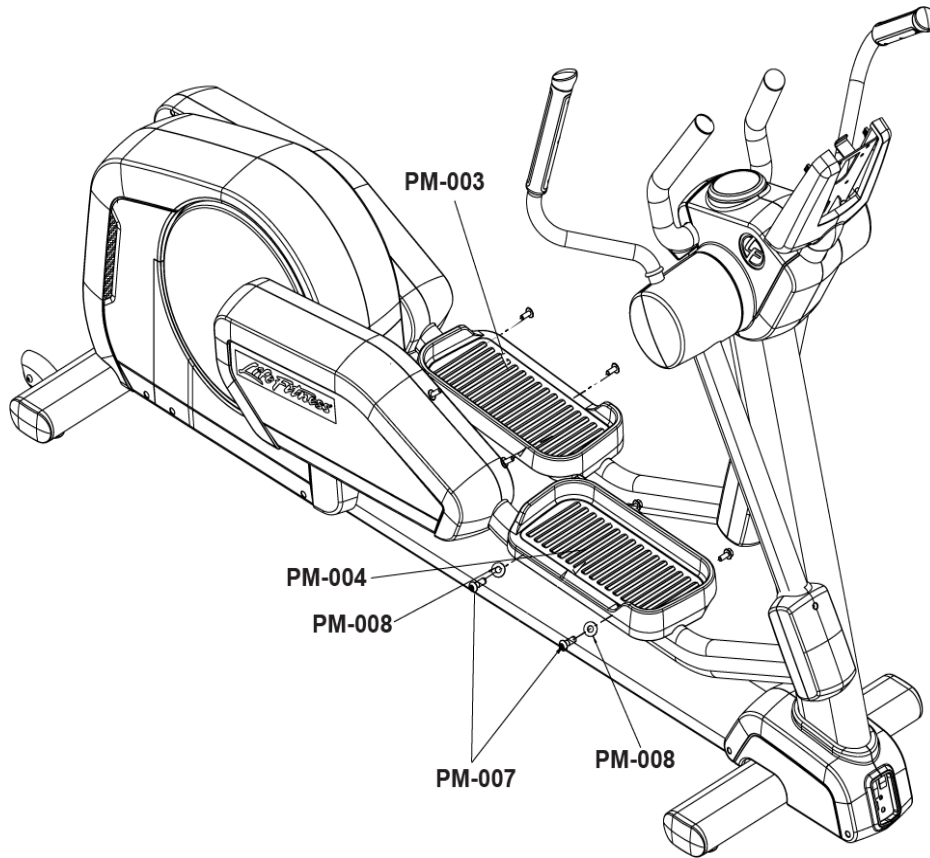
Ref #	Part Number	Qty	Description
HB-001	1001059-0700	1	WELDMENT: BULLHORN, BLACK
HB-002	0017-00101-2150	15	SCREW: M8 X 1.25 6G6H X 20, UHS, HXW, CS, ST, ZB
HB-005	1003359-7401	1	ASSEMBLY: HANDLEBAR, SIMPLE, LEFT, CHARCOAL GRAY ROBUST
HB-006	1003360-7401	1	ASSEMBLY: HANDLEBAR, SIMPLE, RIGHT, CHARCOAL GRAY ROBUST
HB-007	1001029-5800	1	WELDMENT: CONSOLE MOUNT PLANET PURPLE
HB-008	0K63-01114-0000	2	Cap

## Link Shrouds



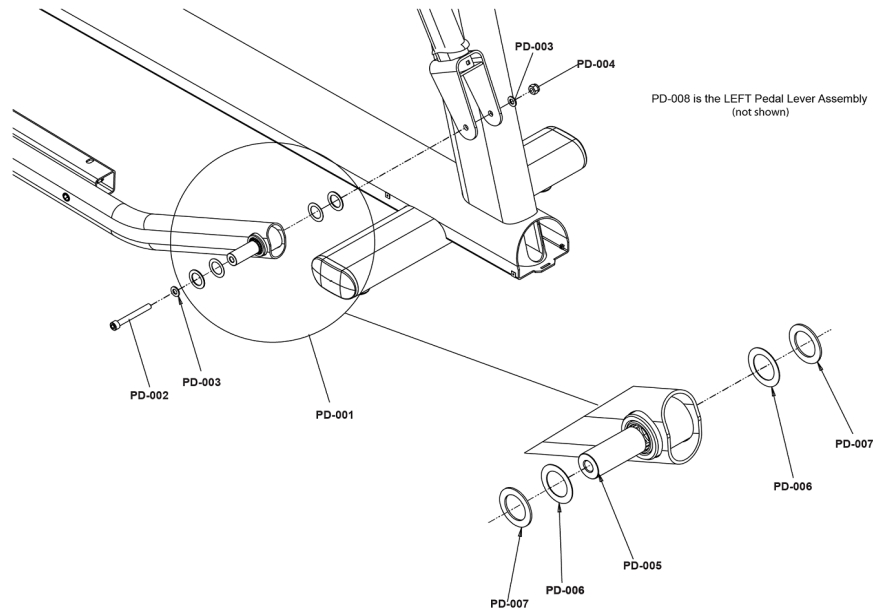
Ref #	Part Number	Qty	Description
LS-001	1002593-2400	1	SHROUD: LINK, OUTER, LEFT, CHARCOAL GRAY
LS-002	1002592-2400	1	SHROUD: LINK, OUTER, RIGHT, CHARCOAL GRAY
LS-003	1002589-2400	1	SHROUD: LINK, INNER, LEFT, CHARCOAL GRAY
LS-004	1002588-2400	1	SHROUD: LINK, INNER, RIGHT, CHARCOAL GRAY
LS-005	0017-00101-2138	4	SCREW: M6 X 1.0 X 16, DIN, PHL, PAN, MS, ST, ZB
LS-006	0017-00042-1147	6	Hardware: Nylon Grommet
LS-007	0017-00101-1796	6	Hardware: Mounting Screw 19 MM
LS-008	0K65-01352-0001	2	DECAL: LOGO, LIFE FITNESS, SIDERAIL, 887C

**Pedals**



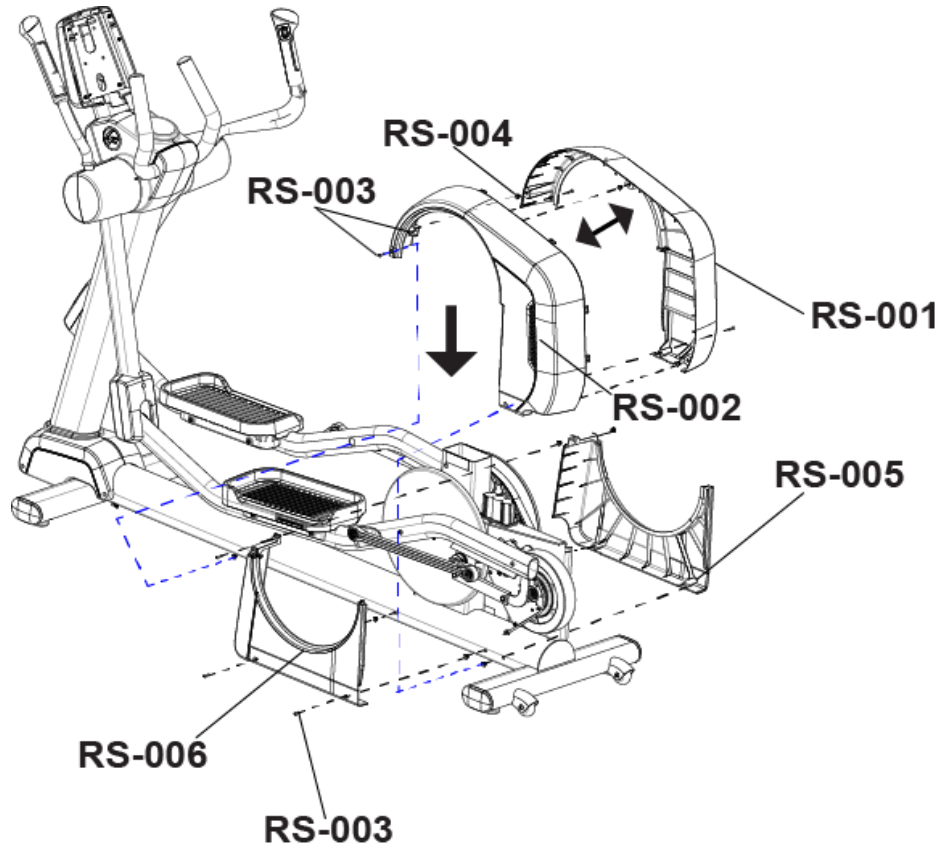
Ref #	Part Number	Qty	Description
PM-003	1002559-0700	1	PEDAL: LEFT, SIMPLE, BLACK
PM-004	1002560-0700	1	PEDAL: RIGHT, SIMPLE, BLACK
PM-007	0017-00101-1929	8	Hardware: Pedal Mounting Screws 25MM
-	0017-00104-0510	8	Hardware: Washer 19 MM OD

# Pedal Levers



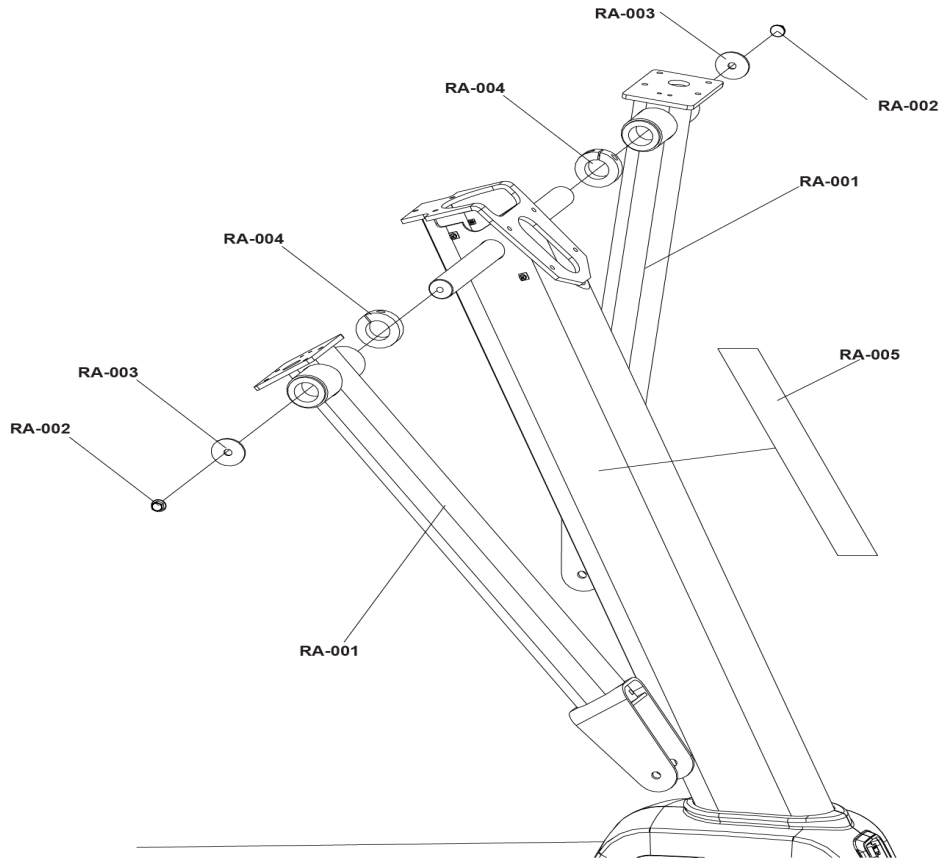
Ref #	Part Number	Qty	Description
PD-001	1001097-5800	1	ASSEMBLY: PEDAL LEVER, RIGHT, W/HARDWARE, PURPLE ROBUST
PD-002	1000721-0001	2	SCREW: M10 X 1.5 X 85, SHCS
PD-003	0017-00104-0470	4	Hardware: Washer 20 MM OD
PD-004	0017-00103-0334	2	Hardware: Nut 10 MM
PD-005	0K69-01075-0000	2	Shaft
PD-006	0K69-01190-0000	4	Hardware: Steel Thrust Washer
PD-007	0K47-01104-0000	4	Hardware: Thrust Washer
PD-008	1001096-5800	1	ASSEMBLY: PEDAL LEVER, LEFT, W/HARDWARE, PURPLE ROBUST

## Rear Shrouds



Ref #	Part Number	Qty	Description
RS-001	1002583-2400	1	SHROUD: REAR, UPPER, RIGHT, CHARCOAL GRAY
RS-002	1002584-2400	1	SHROUD: REAR, UPPER, LEFT, CHARCOAL GRAY
RS-003	0017-00101-1796	12	Hardware: Mounting Screw 19 MM
RS-004	0017-00042-1147	12	Hardware: Nylon Grommet
RS-005	1002585-2400	1	SHROUD: REAR, LOWER, RIGHT, CHARCOAL GRAY
RS-006	1002586-2400	1	SHROUD: REAR, LOWER, LEFT, CHARCOAL GRAY

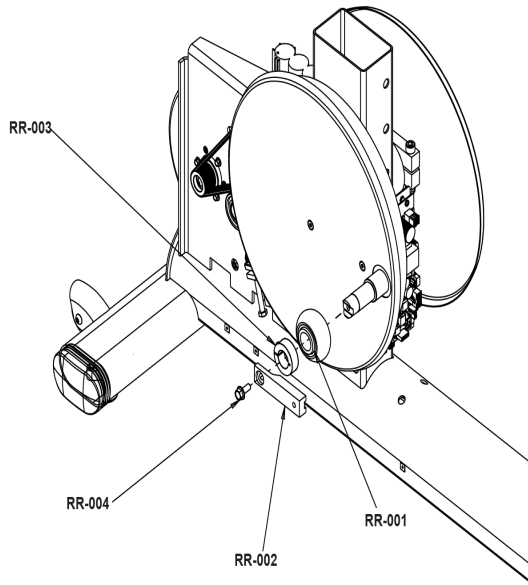
# Rocker Arm



Ref #	Part Number	Qty	Description
RA-001	1001048-5800	2	ASSEMBLY: ROCKER ARM, PURPLE ROBUST
RA-002	0017-00101-2150	2	SCREW: M8 X 1.25 6G6H X 20, UHS, HXW, CS, ST, ZB
RA-003	0017-00104-0454	2	Hardware: Flat Washer 1.62" OD
RA-004	0K69-01018-0000	2	Shaft Collar
RA-005	1007087-0001	2	DECAL: JFZ TAGLINE, LARGE SIZE

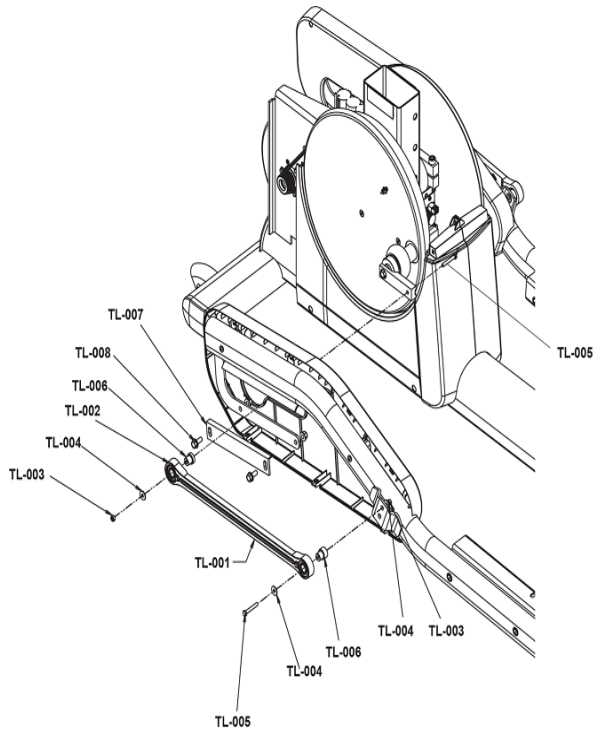
### Roller

---



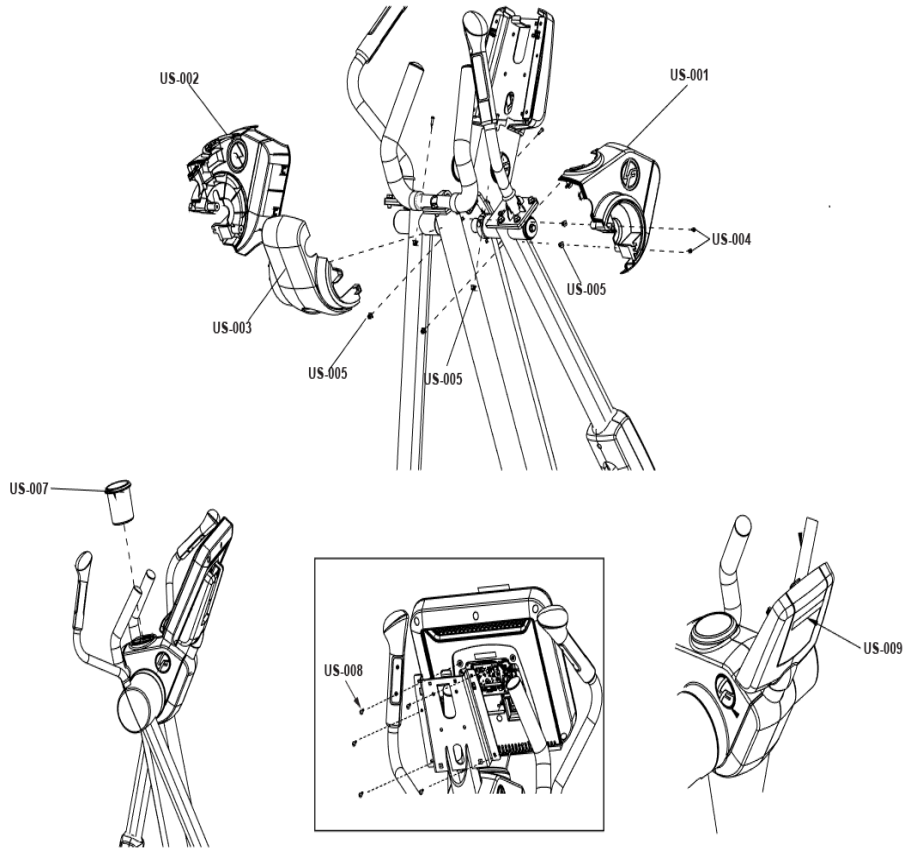
Ref #	Part Number	Qty	Description
RR-001	GK61-00002-0027	2	Roller Bearing Assembly
RR-002	1001015-0001	2	BAR: EXTENSION ARM
RR-003	1001037-0001	2	COLLAR: SHAFT, SPLIT, 25mm
RR-004	0017-00101-2150	2	SCREW: M8 X 1.25 6G6H X 20, UHS, HXW, CS, ST, ZB

# Timing Link



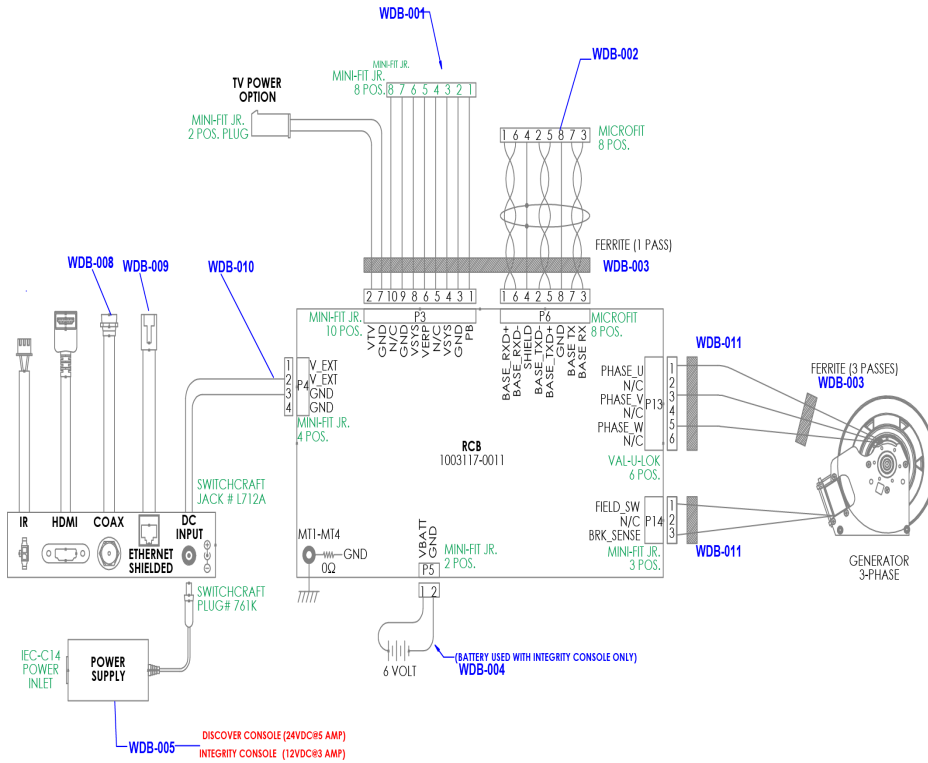
Ref #	Part Number	Qty	Description
TL-001	1003902-0001	2	ASSEMBLY: TIE ROD, W/SELF-ALIGN BRG
TL-002	1003903-0001	2	BUSHING: BEARING, TIMING LINK
TL-003	0017-00103-0378	4	NUT: M6 X 1-6H6H, DIN, LOCKNUT, ST, BZ
TL-004	0017-00104-0468	6	Hardware: Washer 18 MM OD
TL-005	0017-00101-2064	4	SCREW: M6 X 1 X 40, HEX HEAD, CAP
TL-006	1004789-0001	2	BUSHING: BEARING, TIMING LINK
TL-007	1007593-0001	2	BRACKET: GAP CONTROL
TL-008	0017-00101-2150	4	SCREW: M8 X 1.25 6G6H X 20, UHS, HXW, CS, ST, ZB

## Upper Shrouds



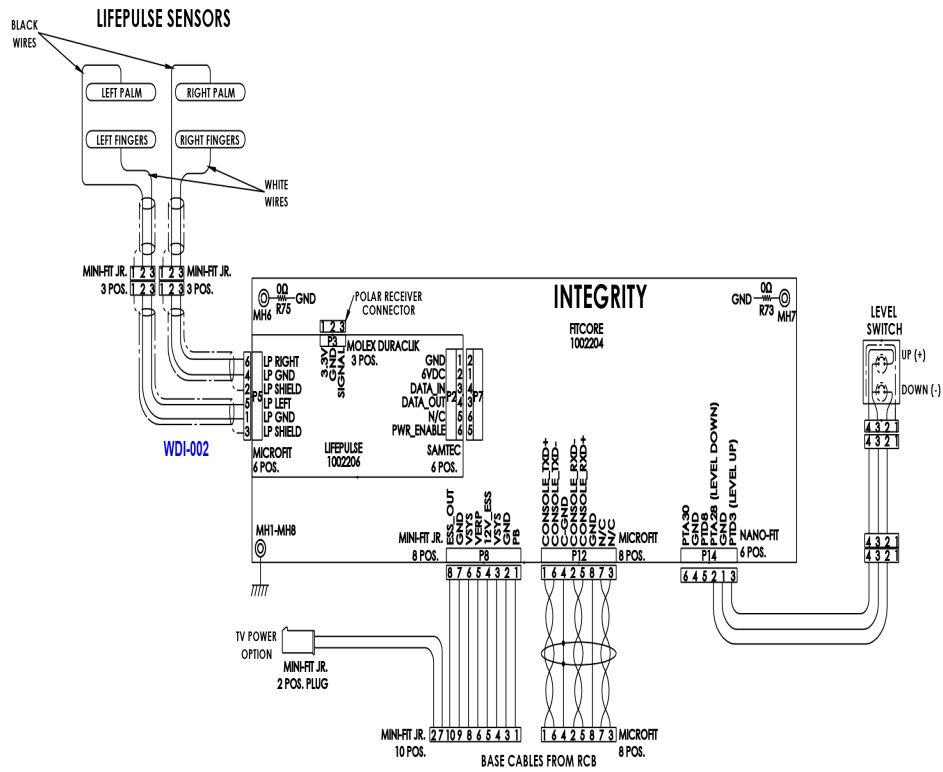
Ref #	Part Number	Qty	Description
US-001	1002575-2400	1	SHROUD: UPPER, RIGHT, CHARCOAL GRAY
US-002	1002576-2400	1	SHROUD: UPPER, LEFT, CHARCOAL GRAY
US-003	1002577-2400	1	SHROUD: UPPER, MIDDLE, CHARCOAL GRAY
US-004	0017-00101-1846	4	Hardware: Phillips Pan Screw 10 MM
US-005	0017-00042-1147	12	Hardware: Nylon Grommet
US-006	0017-00101-1796	8	Hardware: Mounting Screw 19 MM
US-007	1001034-2400	1	CUPHOLDER: LOCKING, CHARCOAL GRAY
US-008	0017-00101-1940	5	Hardware: Screw 14MM
US-009	0K69-01251-0000	1	DECAL: LOGO CONSOLE

# Wiring Diagram - Base



Ref #	Part Number	Qty	Description
WDB-001	1002258-0003	1	CABLE: CONSOLE TO BASE, POWER, 3625MM
WDB-002	1002239-0003	1	CABLE: CONSOLE TO BASE, SIGNAL, 3625MM
WDB-003	121E-00001-0023	2	FERRITE: SUPPRESSION, CORE-CASE
WDB-004	AK69-00106-0000	1	Battery cable
WDB-005	1001517-0001	1	POWER SUPPLY: 12 VDC, 3A
WDB-008	AK65-00062-0000	1	Cable: Coax RG6 Base
WDB-009	AK70-00092-0000	1	CABLE ASSY: CAT5E, V2, 84 INCH
WDB-010	1003521-0003	1	CABLE: POWER, RCB TO PANEL, 5A, CROSSTRAINER
WDB-011	1007096-0001	2	FERRITE: ROUND CABLE SNAP, 240 OHM @ 250MHZ
-	0017-00081-0346	2	TAPE: ADHESIVE, DOUBLE-SIDED
-	0017-00021-2846	1	F-Type Panel Connector
-	0017-00021-3195	1	COUPLER: CAT5E, SHIELDED, RJ45

### Wiring Diagram - Integrity



Ref #	Part Number	Qty	Description
WDI-002	1003838-0002	1	CABLE: LIFEPULSE TO ELECTRODE, CROSSTRAINER

