

SCIFIT ISO1000R Recumbent Bike

ISO1011R-INT

Parts Manual

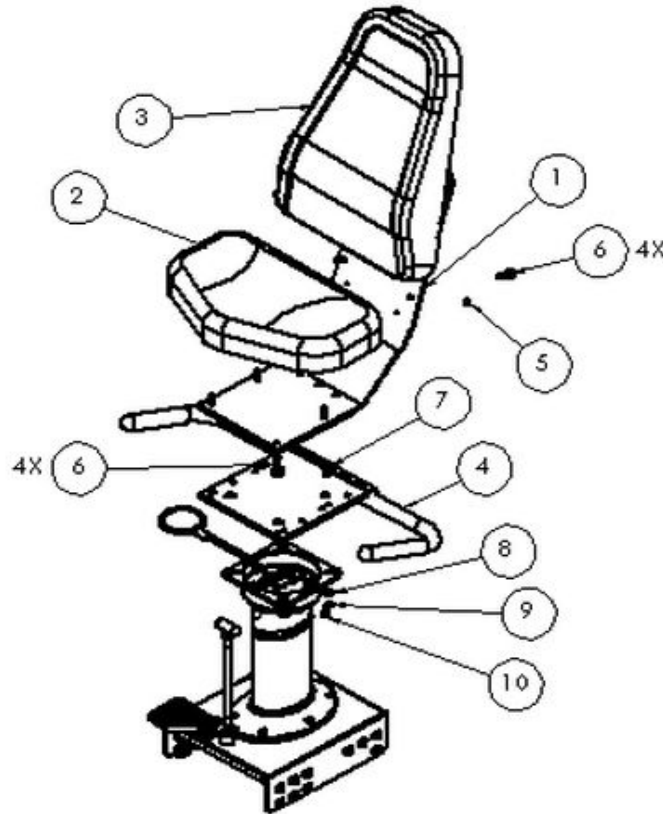
1/17/2019 12:28:24 PM



Table of Contents

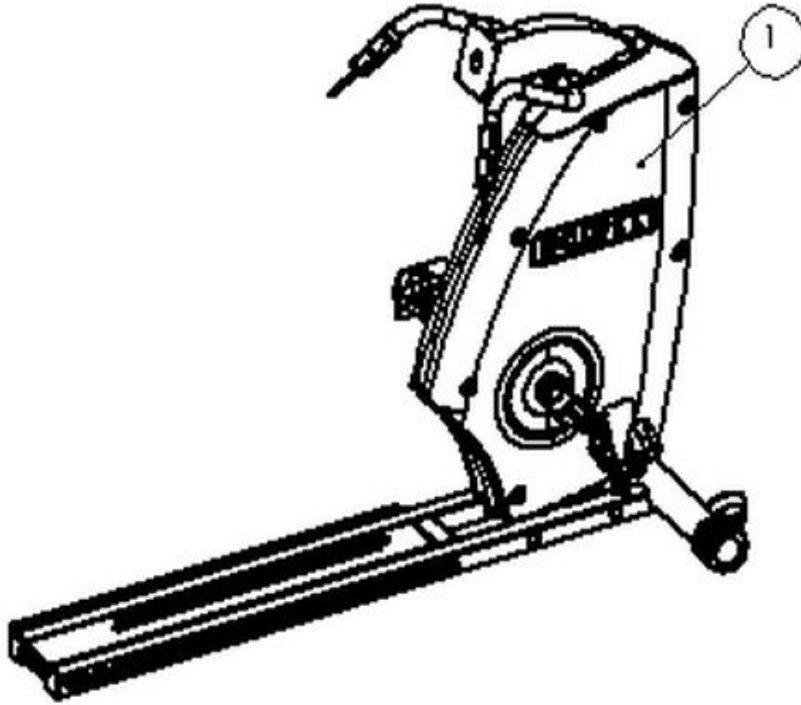
ISO Recumbent Adjustable Seat Assembly.....	3
ISO Recumbent Covers Charcoal.....	4
ISO Recumbent Handlebars.....	5
ISO Recumbent Hardware Electronics.....	6
ISO Recumbent Pedals.....	7
ISO Recumbent Seat Base 513-000001 TO 513-000267.....	8
ISO Recumbent Seat Base 513-000268 TO CURRENT.....	9
ISO Recumbent Seat Oval Post and Base.....	10
ISO Recumbent WiringDiagram Pre 10-2015.....	11
ISO Recumbent Wiring Diagram Post 10-2015.....	12
ISO 1 Rec Drive Assembly.....	13
Premium Seat.....	14

ISO Recumbent Adjustable Seat Assembly



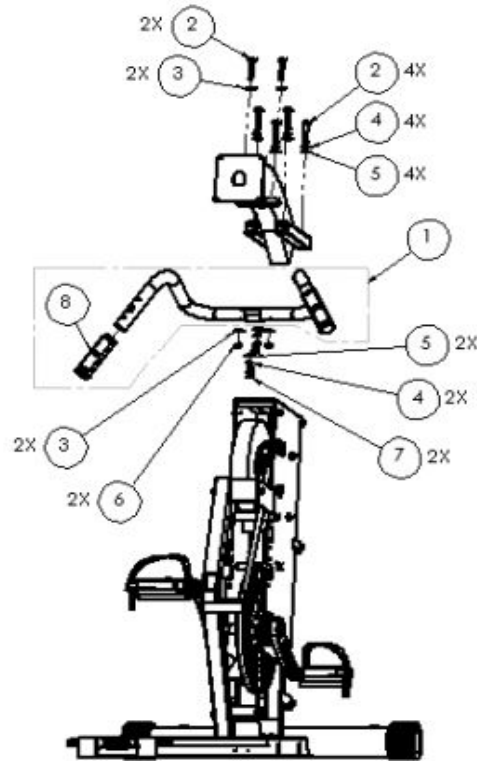
Ref #	Part Number	Qty	Description
1	A3316	1	Plate Mount Seat 110 Deg.
2	P4434	1	Pad Seat Bottom V2
3	P4436	1	PAD SUPPORT HIGH BACK V2
4	A2933-CH	1	Assy Handlebar Seat Charcoal
5	P4327	2	PLUG HOLE .25"
6	94256	8	5/16"-18 x 1" Zinc SCS
7	19919	4	BOLT 5/16-18 x 1.25 SERRATED HEX
8	33080	4	5/16" Zinc F/W
9	33892	4	5/16" Yellow Zinc Split L/W
10	36104	4	5/16"-18 Zinc Hex Nut
-	S5818	1	KIT SEAT ASSY ISO REC ADJ. HB

ISO Recumbent Covers Charcoal



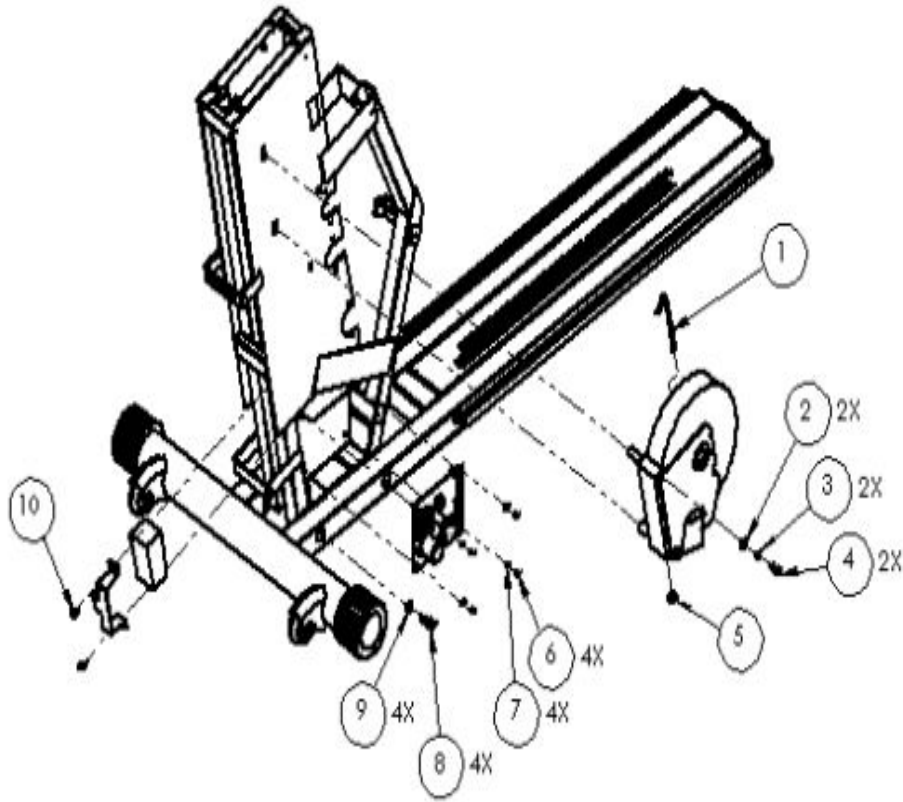
Ref #	Part Number	Qty	Description
1	S4947	1	KIT CVR RH W/Decal Char ISO R

ISO Recumbent Handlebars



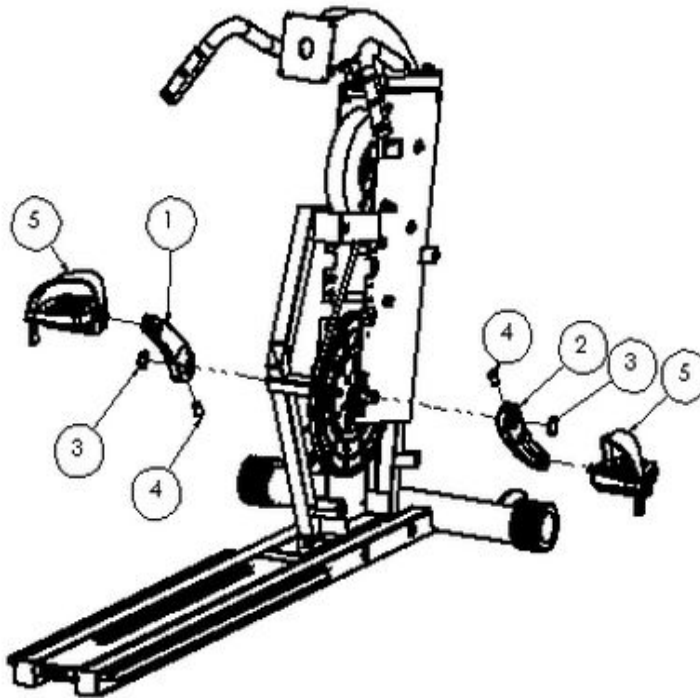
Ref #	Part Number	Qty	Description
1	A4896-CH	1	Assy Handlebar W/CHR Charcoal ISO Rec.
2	13111	6	Screw 3/8-16 x 2" Hex Cap Zinc
3	11137920	4	WSH:WASHER,CURVED,3/8 ID X 3/4 OD X .06
4	33622	6	Washer Lock 3/8 Zinc
5	33082	6	3/8" Zinc F/W
6	37026	2	Nut 3/8-16 Nylon Insert Zinc
7	110120344	2	3/8-16 X 1" HCS
8	P4729	1	Assy, CHR W/cable,1000mm, ISO

ISO Recumbent Hardware Electronics



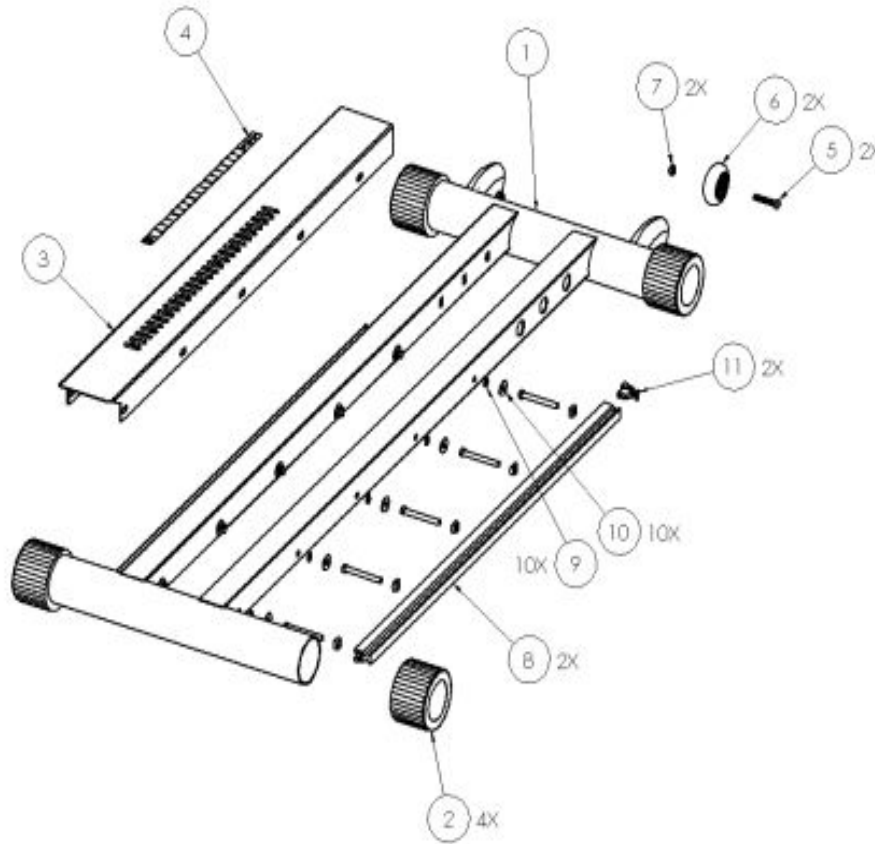
Ref #	Part Number	Qty	Description
1	P5001	1	J-Bolt ISO Rec.
2	38403	2	Washer 6mm x 18mm x 1.6mm Fender
3	40381	2	M6 Zinc Split L/W
4	0135918	2	SCR:SCREW, M6-1 X 20MM, SCHS
5	40163	1	M8-1.25 DIN 985 Zinc Plated Nylon Insert Lock Nut
6	91188	4	Screw M3-0.5 x 8mm Phillips PHD
7	33733	4	#6 Zinc Finish Ext Tooth L/W
8	93305	4	3/8"-16 x 1" Zinc SCS
9	33622	4	Washer Lock 3/8 Zinc
10	31810	1	#10-16 x 1/2" Zinc Self Tap

ISO Recumbent Pedals



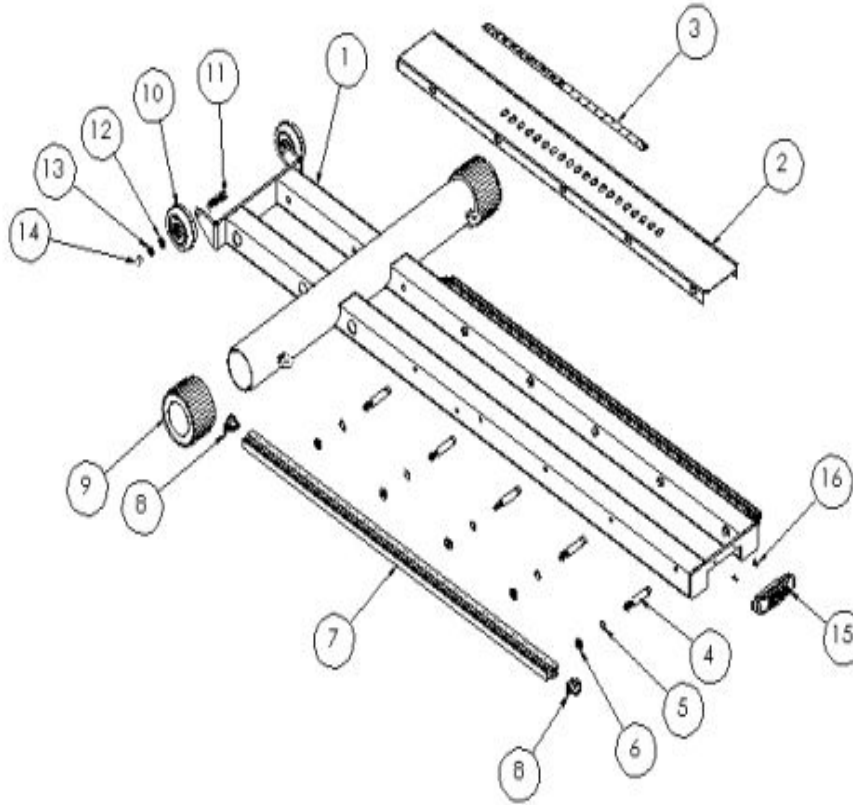
Ref #	Part Number	Qty	Description
1	A3157-CH	1	Crank Cast Left 175MM Charcoal
2	A3158-CH	1	Crank Cast RH 175MM Charcoal
3	P3460	2	Decal 1.5" Dia. Domed Circle
4	P3738	2	Screw Set 5/8-18X1.0 Socket Po
5	P2275	1	Pedal Bike Pair 9/16"-20

**ISO Recumbent Seat Base 513-000001 TO
513-000267**



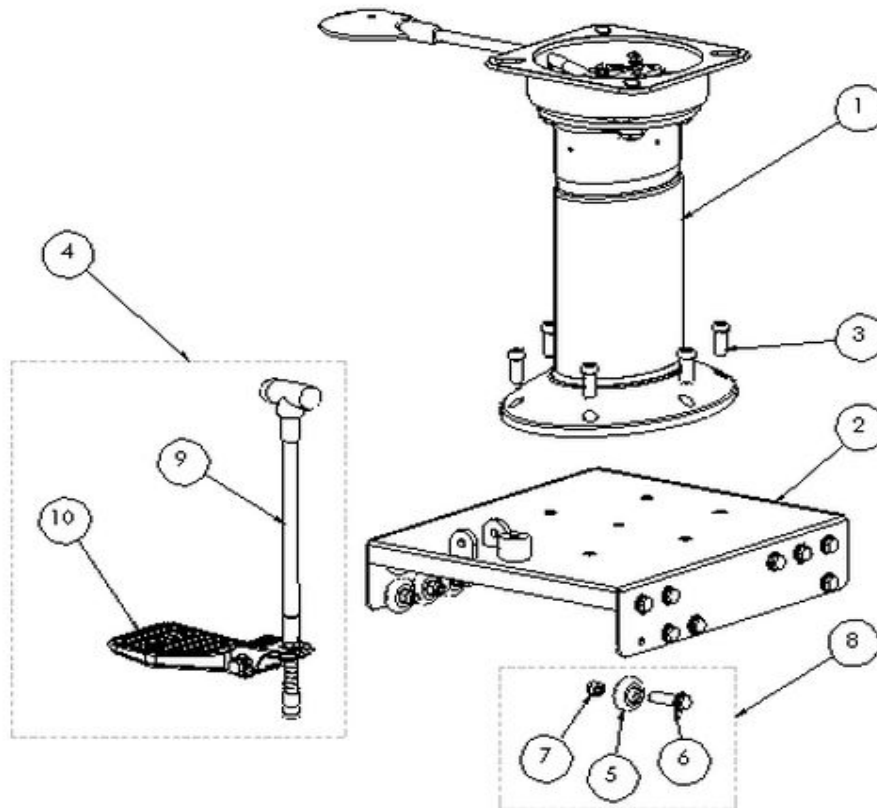
Ref #	Part Number	Qty	Description
1	A4557-CH	1	Frame, Base, Charcoal, ISO Rec
2	A1890	4	Cap Base 3" Adj. 65 Durometer
3	A5073	1	KIT:TRACK, ADJUSTMENT, SEAT, ISO1000R/ISO7000R
4	P1983	1	Decal Number .75" Spacing 1-20
5	73783	2	5/16"-18 x 1-3/4" Stnlss BSCS
6	P4455	2	WHEEL TRANSPORT ISO BIKES
7	37023	2	5/16"-18 Zinc Finish NTE Grade 2 Jam Nylon Insert Lock Nut
8	A1222	2	Extrusion Rail 34" Recumben
9	40383	10	M8 DIN 127 Zinc Plated Split Lock Washer
10	40357	10	M8 Zinc F/W
11	A5215	2	Endcap Cover Extrusion Rail

**ISO Recumbent Seat Base 513-000268 TO
CURRENT**



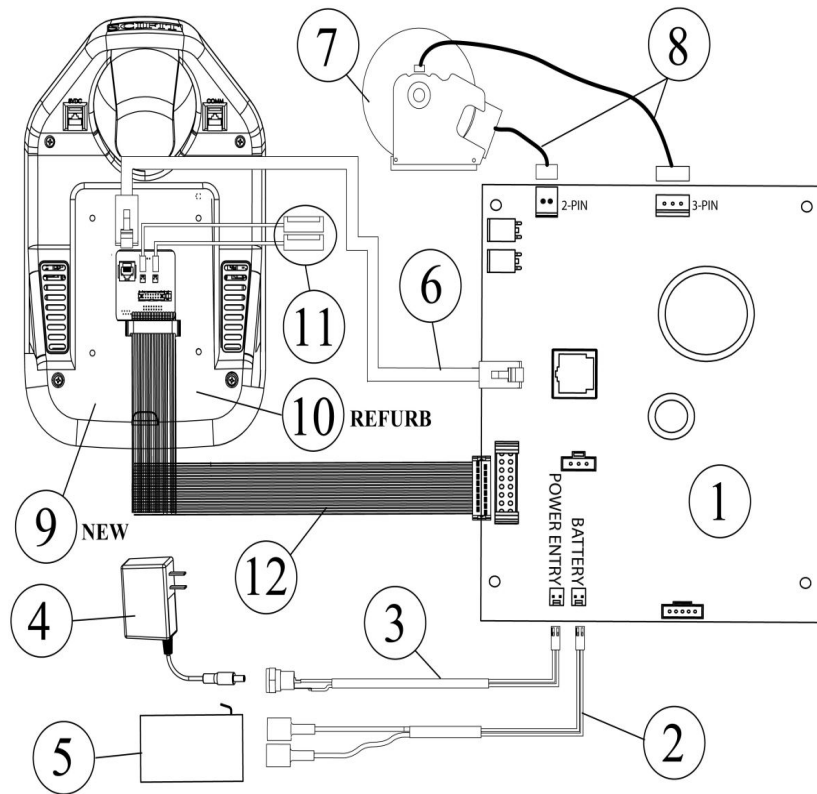
Ref #	Part Number	Qty	Description
1	C3240-CH	1	Frame Base PRO Charcoal
2	A3241	1	Track Adj. SS PRO Monocoque
3	P1982	1	Decal Number 1" Spacing 1- 20
4	13064	10	5/16"-18 x 2-3/4" Zinc HCS
5	33712	10	5/16" Zinc Internal Tooth L/W
6	37622	10	5/16"-18 Zinc Square Nut
7	A3299	2	Extrusion Rail Roller 37.5" PR
8	A5215	4	Endcap Cover Extrusion Rail
9	A1890	2	Cap Base 3" Adj. 65 Durometer
10	P2144	2	Wheel Front PRO II
11	73783	2	5/16"-18 x 1-3/4" Stnlss BSCS
12	33080	2	5/16" Zinc F/W
13	33892	2	5/16" Yellow Zinc Split L/W
14	70961	2	5/16"-18 Stnlss Stl Acorn Nut
15	A5449	1	HANDLE LIFT STEP 1
16	0142859	2	KIT:6 X 5/8 ZINC PHLLPS PH PLSTC S

ISO Recumbent Seat Oval Post and Base



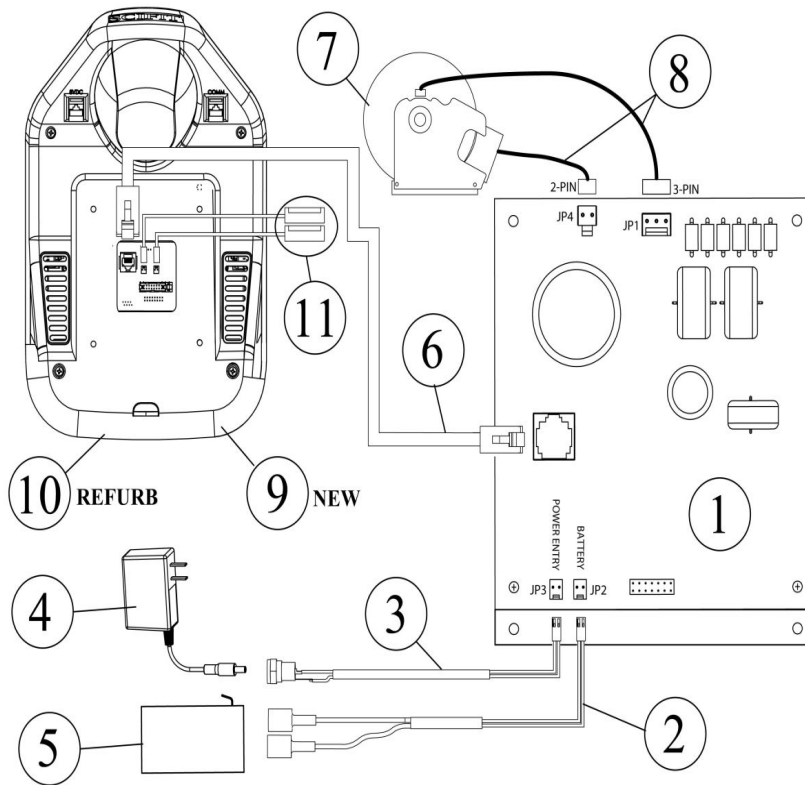
Ref #	Part Number	Qty	Description
1	P4564	1	Seatpost Ovl Adj Short V2
2	A4391-CH	1	Assy Seatbse Charcoal ISO
3	93255	6	5/16"-18 x 1" Zinc SCS
4	S4994	1	KIT FOOT PEDAL/SHORT ADJ. CABL
5	P1038	20	Roller Urethane 1-1/4 Dia. X 3
6	19919	20	BOLT 5/16-18 x 1.25 SERRATED HEX
7	37021	20	NUT NYLOCK 5/16-18
8	S6396	1	Kit, HW/Rollers, Seat Base,NSS
9	S4927	1	Kit T-Handle Adj Pull cable Sh
10	A2476	1	Lever Release Seat PRO Assy.
-	S6190-CH	1	Kit Assy Seatpost ADJ PRO Char

ISO Recumbent Wiring Diagram Pre 10-2015



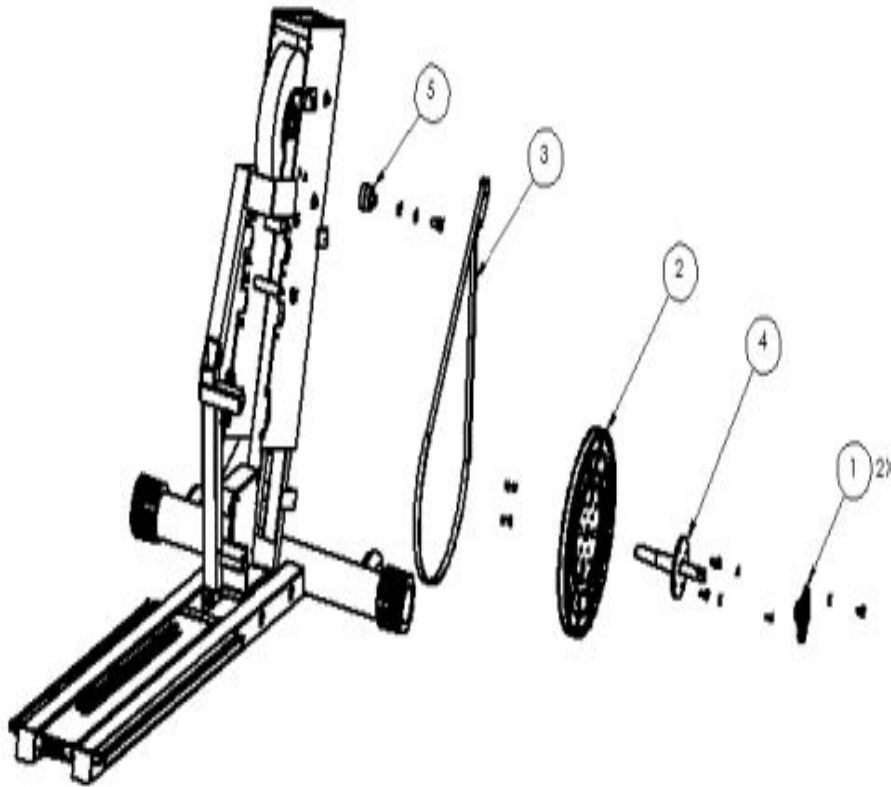
Ref #	Part Number	Qty	Description
1	S6189	1	Kit A5361 W/Tactile Firm PRE 5
2	P4733	1	Cable Batt Intelli-Fit/Med PRO
3	P3307	1	Cable Power Entry PRO
4	P4861	1	SCIFIT POWER SUPPLY AC ADAPTER WALL PACK 18V
5	P1564	1	Battery Rechargeable Cordless
6	P4742	1	Cable Comm 63" Intelli ISO1000R/7000R & SXT
7	P5466	1	Brake FW Only Heavy Duty Clutc
8	S4454	1	CABLES IND. BRAKE 3 & 2 PIN
9	S5197	1	Kit A4605/Strain Relief.Combo
10	S5198R	1	Kit A4605R/Strain Relief.Combo
11	P2746	2	Grip HR Contact 1.5ID (1pr)
12	A5190	1	Cable Assy Display 79" V2

ISO Recumbent Wiring Diagram Post 10-2015



Ref #	Part Number	Qty	Description
1	A5361	1	Kit A5005 W/Mounting Bracket
2	P4733	1	Cable Batt Intelli-Fit/Med PRO
3	P3307	1	Cable Power Entry PRO
4	P4861	1	SCIFIT POWER SUPPLY AC ADAPTER WALL PACK 18V
5	P1564	1	Battery Rechargeable Cordless
6	P4742	1	Cable Comm 63" Intelli ISO1000R/7000R & SXT
7	P5466	1	Brake FW Only Heavy Duty Clutch
8	S4454	1	CABLES IND. BRAKE 3 & 2 PIN
9	A6627	1	NC Assy Console Rotary CHR OS
10	A6627R	1	NC ASSY, CNSL REFURB, TS, ROTARY CHR
11	P2746	2	Grip HR Contact 1.5ID (1pr)

ISO 1 Rec Drive Assembly



Ref #	Part Number	Qty	Description
1	P1096	2	Bearing Spindle Drive SB204-12
2	P4457	1	PULLEY DRIVE ISO
3	P4560	1	BELT POLY-V 61" (1549J) 6 RIB
4	P4448	1	SPINDLE ASSY ONE-WAY ISO DYACO
5	S5362	1	ASSY IDLER ISO1000/7000 D

Premium Seat



PLEASE SEE: PREM-SEAT-01

Ref #	Part Number	Qty	Description
1	PREM-SEAT-01	1	SCIFIT Premium Seat

