

SCIFIT Latitude Lateral Stability Trainer

LATITUDE-01

Parts Manual

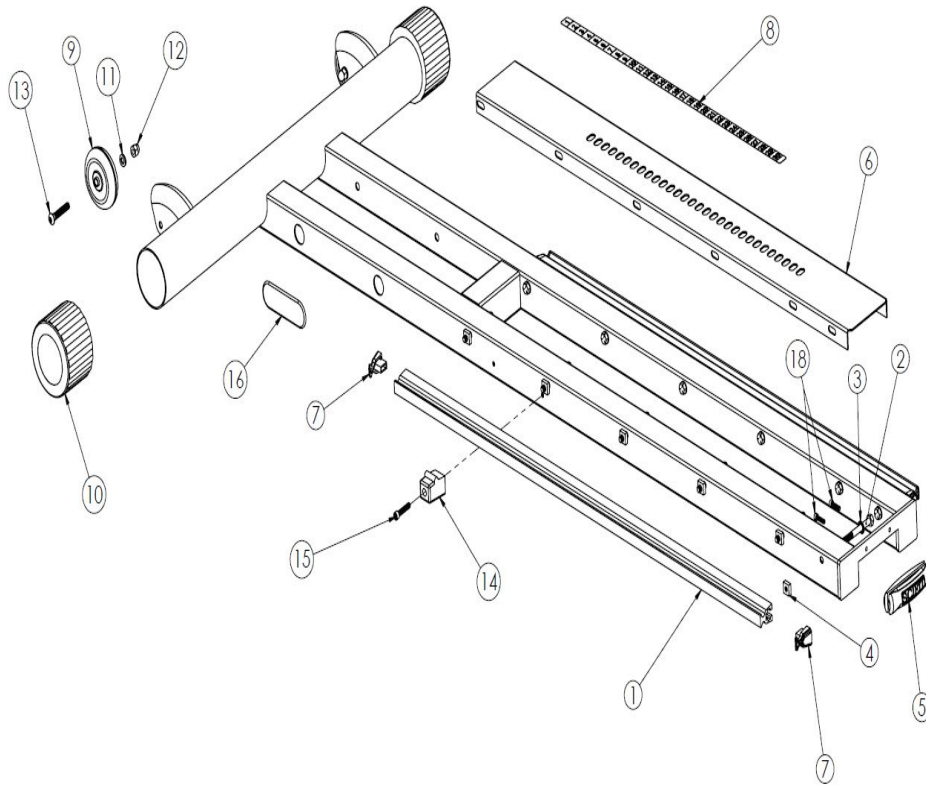
1/17/2019 12:30:37 PM



Table of Contents

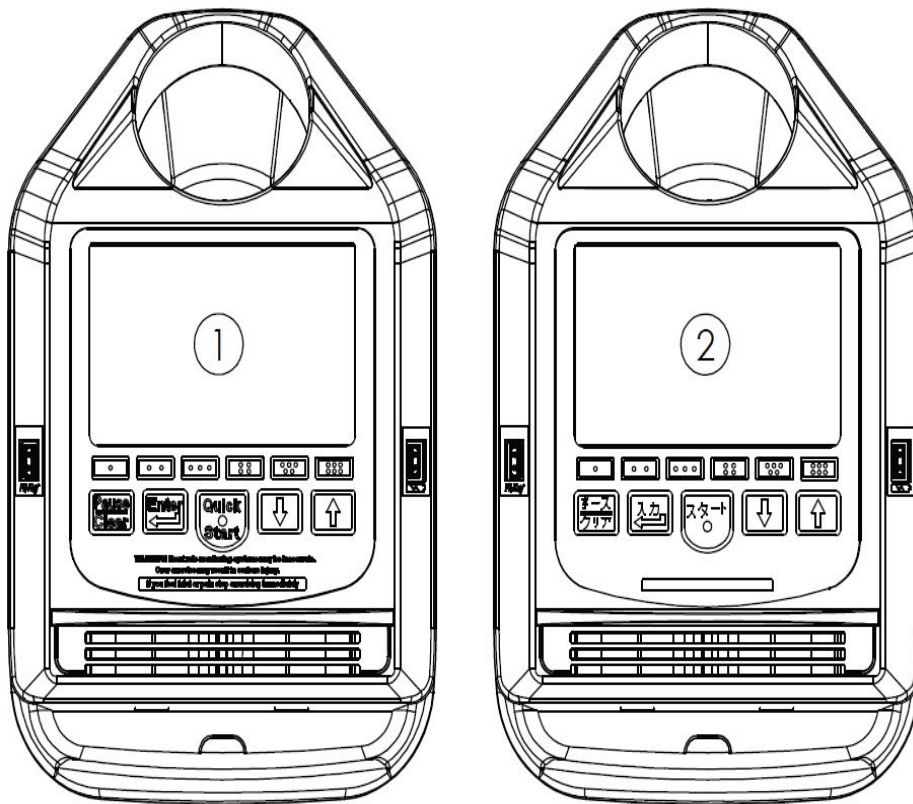
Base Frame Assembly	3
Consoles	4
Crank Covers	5
Front Cover With Decal	6
Latitude Wiring Diagram	7
Lower Controller Assembly	8
Main Body Assembly	9
Main Enclosure	10
Neck Weldment	11
Pedal Assembly	12
Rear Cover	13
Transition Cover	14

Base Frame Assembly



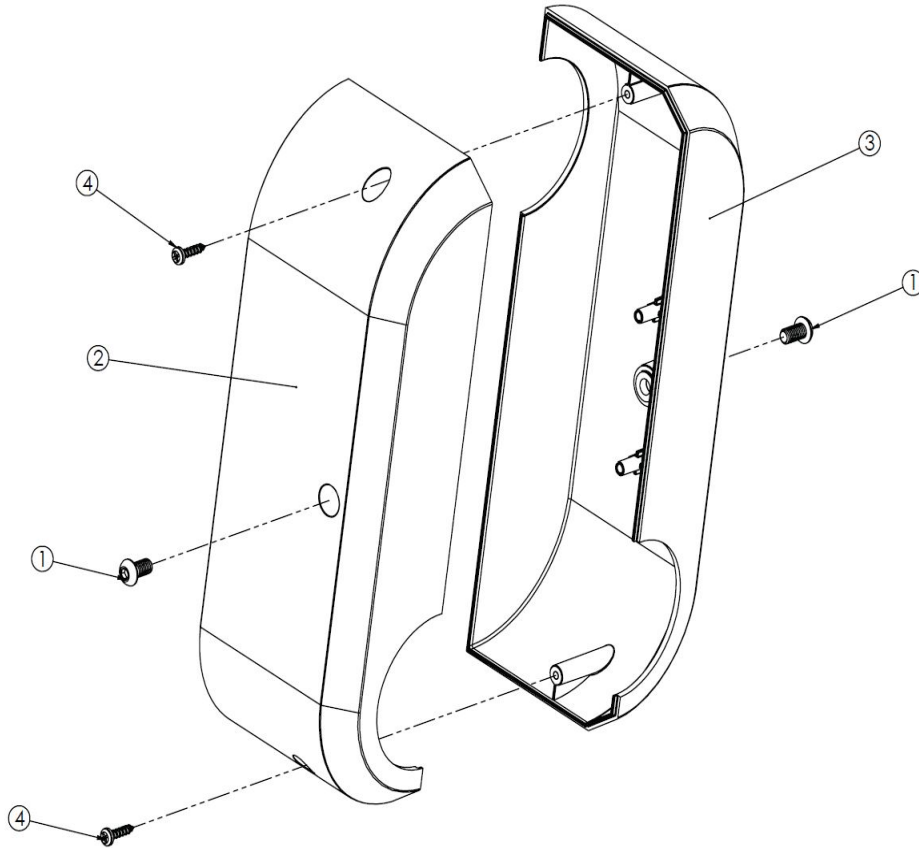
Ref #	Part Number	Qty	Description
1	A3299	2	Extrusion Rail Roller 37.5" PR
2	13064	12	5/16"-18 x 2-3/4" Zinc HCS
3	33712	12	5/16" Zinc Internal Tooth L/W
4	37622	12	5/16"-18 Zinc Square Nut
5	A5449	1	HANDLE LIFT STEP 1
6	A6507	1	KIT:PAN, STAINLESS, 30 HOLE
7	A5215	4	Endcap Cover Extrusion Rail
8	A6766	1	KIT:DECAL SEAT ADJUSTMEN, 30 HOLE
9	P2144	2	Wheel Front PRO II
10	A1890	2	Cap Base 3" Adj. 65 Durometer
11	33892	2	5/16" Yellow Zinc Split L/W
12	70961	2	5/16"-18 Stnlss Stl Acorn Nut
13	73783	2	5/16"-18 x 1-3/4" Stnlss BSCS
14	A6506	2	KIT:BUMPER, SEAT STOP, COMPLIANCE
15	23807	2	SCR:SCREW, 1/4"-28 x 1-1/4" SCH
16	A6503	2	KIT:DECAL, HELIX MOTION, 4.5"x1.5"
17	A5028	1	ASSY WLDMNT BASE STEP 1
18	23166	2	#10-32 x 3/4" Blk Oxd SCS

Consoles



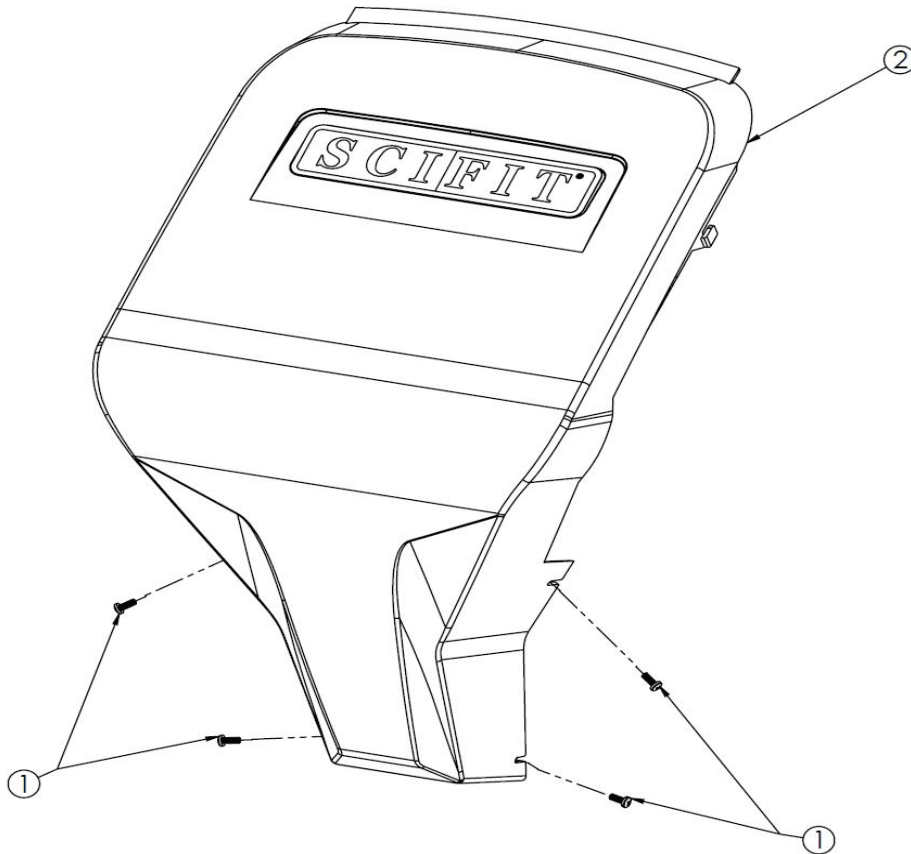
Ref #	Part Number	Qty	Description
1	LCD-EN-01	1	SCIFIT LCD Console English
1	LCD-EN-01	1	SCIFIT LCD Console English
1	LCD-EN-01	1	SCIFIT LCD Console English
1	LCD-EN-01	1	SCIFIT LCD Console English
1	LCD-EN-01	1	SCIFIT LCD Console English
1	LCD-EN-01	1	SCIFIT LCD Console English
1	LCD-EN-01	1	SCIFIT LCD Console English
1	LCD-EN-01	1	SCIFIT LCD Console English
1	LCD-EN-01	1	SCIFIT LCD Console English
1	LCD-EN-01	1	SCIFIT LCD Console English
2	LCD-JP-01	1	SCIFIT LCD Console Japan

Crank Covers



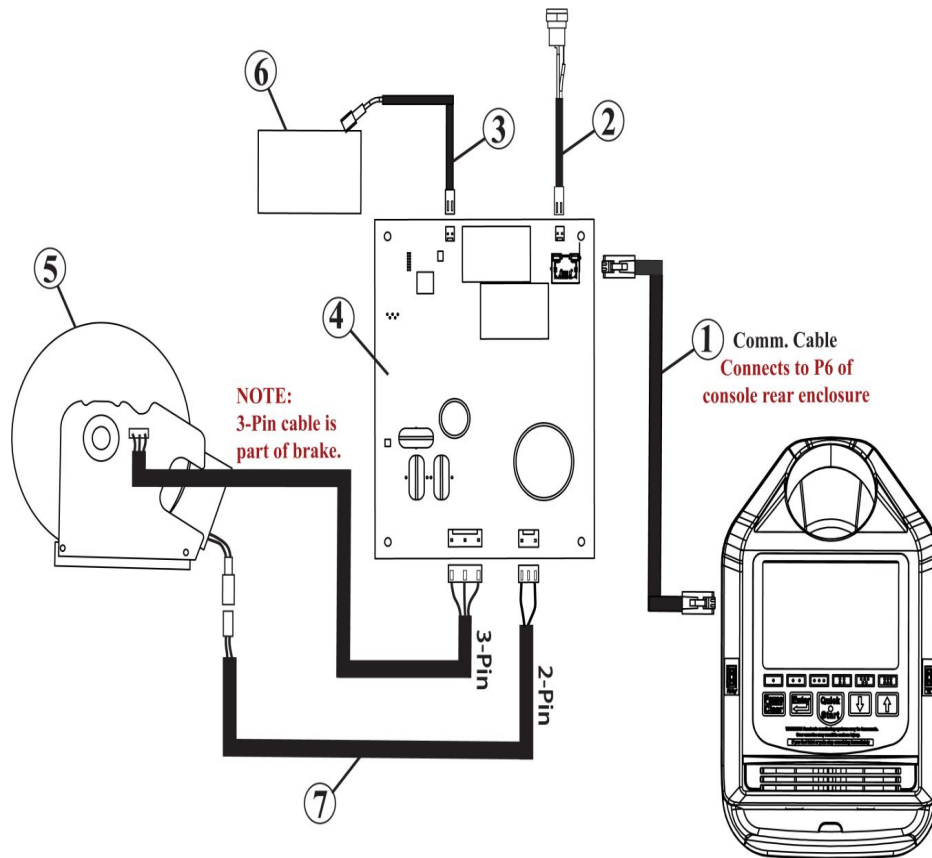
Ref #	Part Number	Qty	Description
1	10537-09890	2	SCR:SCREW, M6-1.0 X 12MM, BHSC, BLK, ZINC
2	A6817	1	KIT:ENCLOSURE, CRANK, SIDE-A, LATITUDE
3	A6818	1	KIT:ENCLOSURE, CRANK, SIDE-B, LATITUDE
4	0142859	2	KIT:6 X 5/8 ZINC PHLLPS PH PLSTC S

Front Cover With Decal



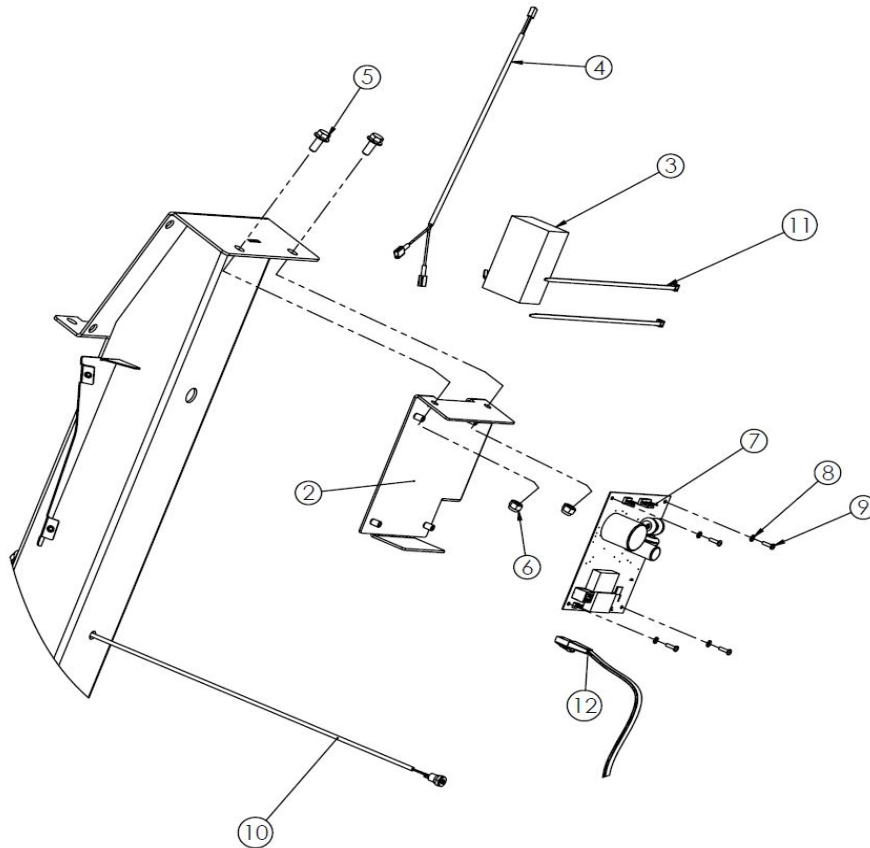
Ref #	Part Number	Qty	Description
1	10537-09060	4	Screw M5 x 12mm Phil Black Zinc
2	A7001	1	KIT:ASSY, FRONT COVER W/DECAL, LATITUDE

Latitude Wiring Diagram



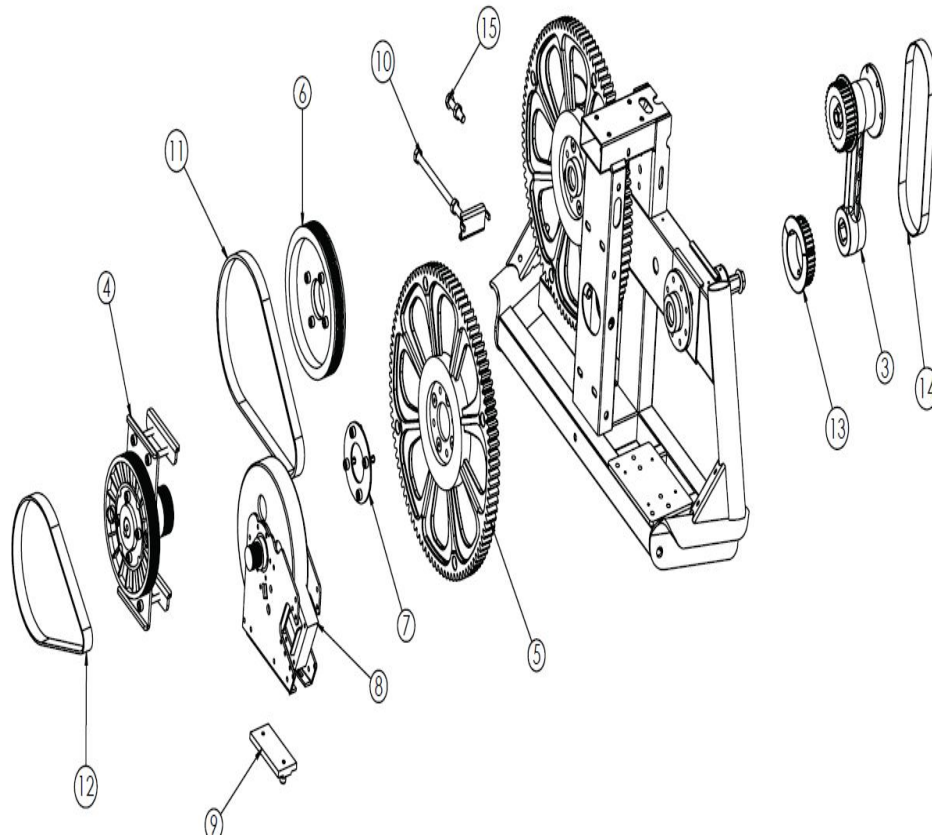
Ref #	Part Number	Qty	Description
1	P6758	1	KIT:CABLE, COMMUNICATION, 48", LATITUDE
2	A5405	1	Cable Power Entry StepOne
3	P1833	1	Cable Battery Cordless
4	A6100	1	PCB LWR Torque Controller Gen3
5	A6659	1	KIT:GENERATOR, LATITUDE
6	P1564	1	Battery Rechargable Cordless
7	A7231	1	CABLE, BRAKE, 2-PIN, LATITUDE

Lower Controller Assembly



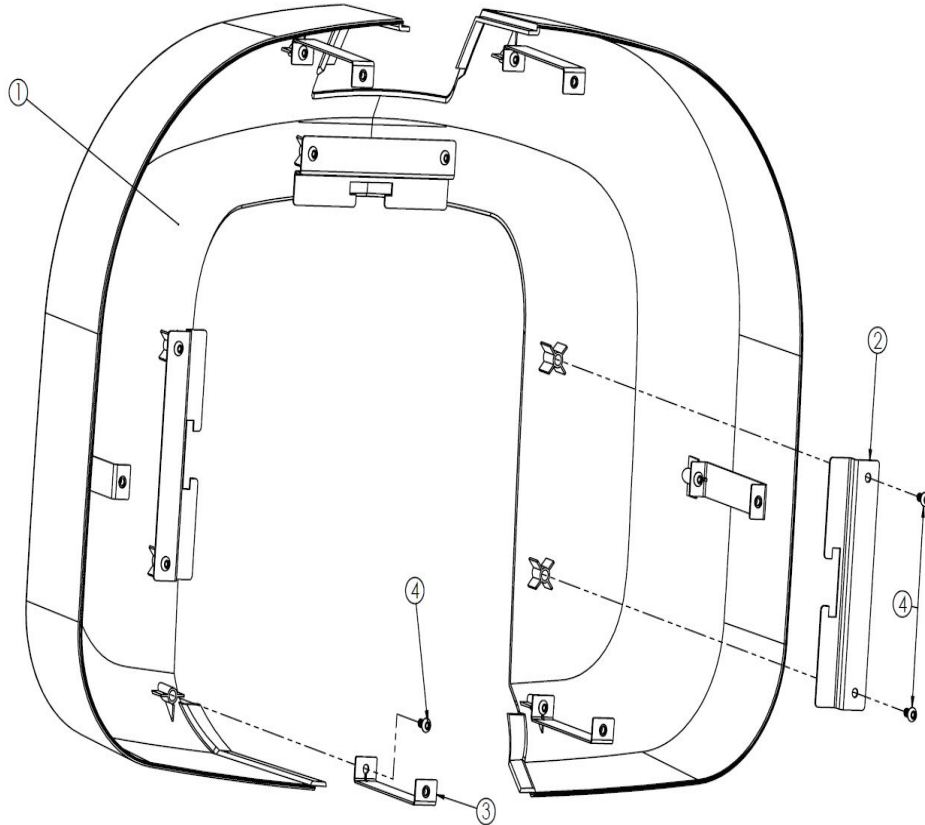
Ref #	Part Number	Qty	Description
2	A6487	1	KIT:ASSY, BRACKET, MOUNT, PCBA, LAT TRAINER
3	P1564	1	Battery Rechargable Cordless
4	P1833	1	Cable Battery Cordless
5	19653	2	5/16"-18 x 3/4" Flange head hex cap
6	37021	2	NUT NYLOCK 5/16-18
7	A6100	1	PCB LWR Torque Controller Gen3
8	33733	4	#6 Zinc Finish Ext Tooth L/W
9	28804	4	SCREW 6/32 X 1/2 PHILLIPS HD MACHINE
10	A5405	1	Cable Power Entry StepOne
11	63127	2	11" Cable Tie
12	P6758	1	KIT:CABLE, COMMUNICATION, 48", LATITUDE

Main Body Assembly



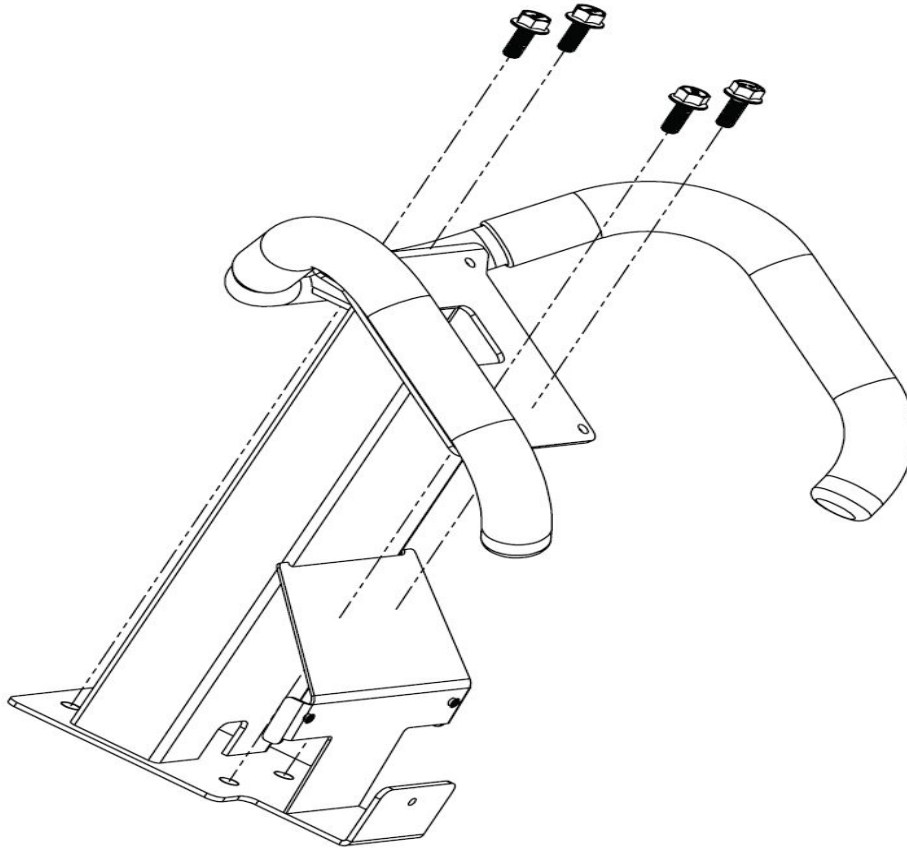
Ref #	Part Number	Qty	Description
3	A6642	2	KIT:ASSEMBLY, CRANK ARM, HELIX
4	A6643	1	KIT:ASSEMBLY, INTERMEDIATE SHAFT W/HARDWARE, HELI
5	A6654	2	KIT:ASSY, HELIX, DRIVE GEAR
6	A6651	1	KIT: TRANSFER PULLEY W/HARDWARE, HELIX
7	A6653	1	KIT:ASSY, MAIN SHAFT BACKING PLATE W/HARDWARE, HE
8	A6659	1	KIT:GENERATOR, LATITUDE
9	A6656	1	KIT:BRAKE MOUNT ADJUSTING PLATE W/HARDWARE, HELIX
10	A6657	1	KIT:ASSEMBLY, BRAKE TENSIONING, HELIX
11	P6652	1	KIT:BELT, 6PK805, STAGE ONE, HELIX
12	P6658	1	KIT:BELT, 270J10, BRAKE DRIVE, HELIX
13	A6650	2	KIT:ASSY, SPLIT COG, GEAR, W/HARDWARE, HELIX
14	P6655	2	KIT:BELT, TIMING COG BELT, 600-8M-20MM, HELIX
15	A6660	1	KIT:ASSY, BOLT, INTER. SHAFT TENSION, HELIX

Main Enclosure



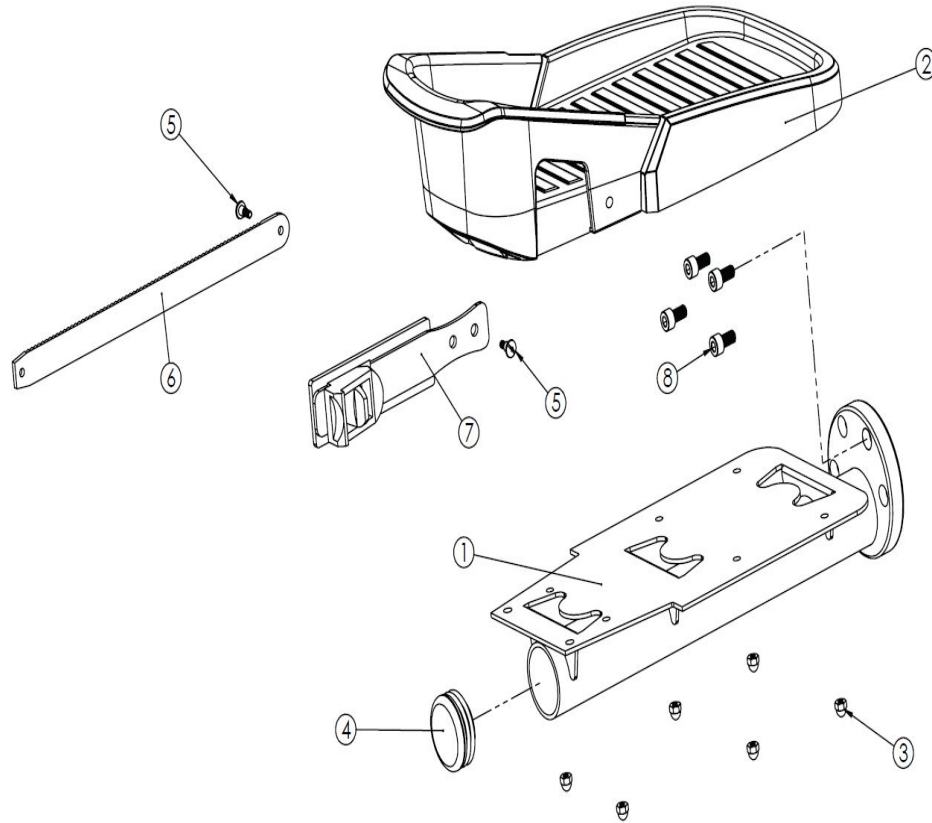
Ref #	Part Number	Qty	Description
1	A6494	1	KIT:ENCLOSURE, MAIN, LATITUDE
2	A6501	3	KIT:BRACKET, FRONT/NECK, ENCLOSURE, LATITUDE
3	A6499	6	KIT:BRACKET, DISPLAY, ENCLOSURE, LATITUDE
4	141318	12	SCR:SCREW, M6-1.0 X 12MM, BHSC, ZINC

Neck Weldment



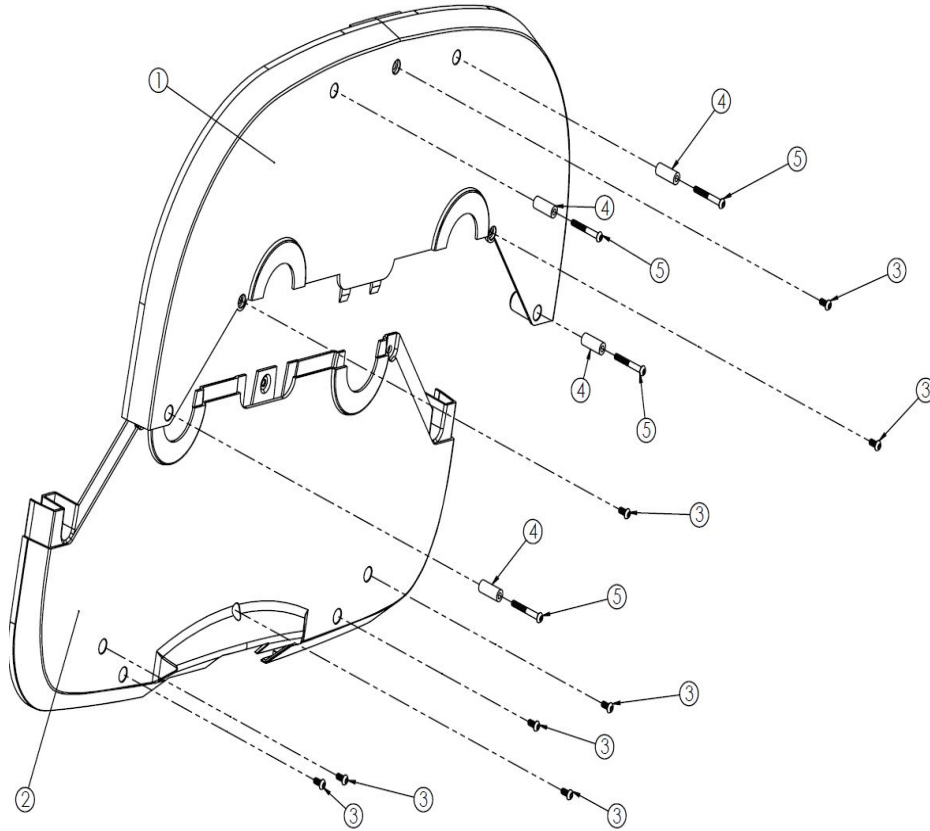
Ref #	Part Number	Qty	Description
1	A6486	1	KIT:NECK, WLDMNT, LATERAL TRAINER
2	0161822	4	KIT:Bolt,Flange,M8-1.25 x 20mm,Hex

Pedal Assembly



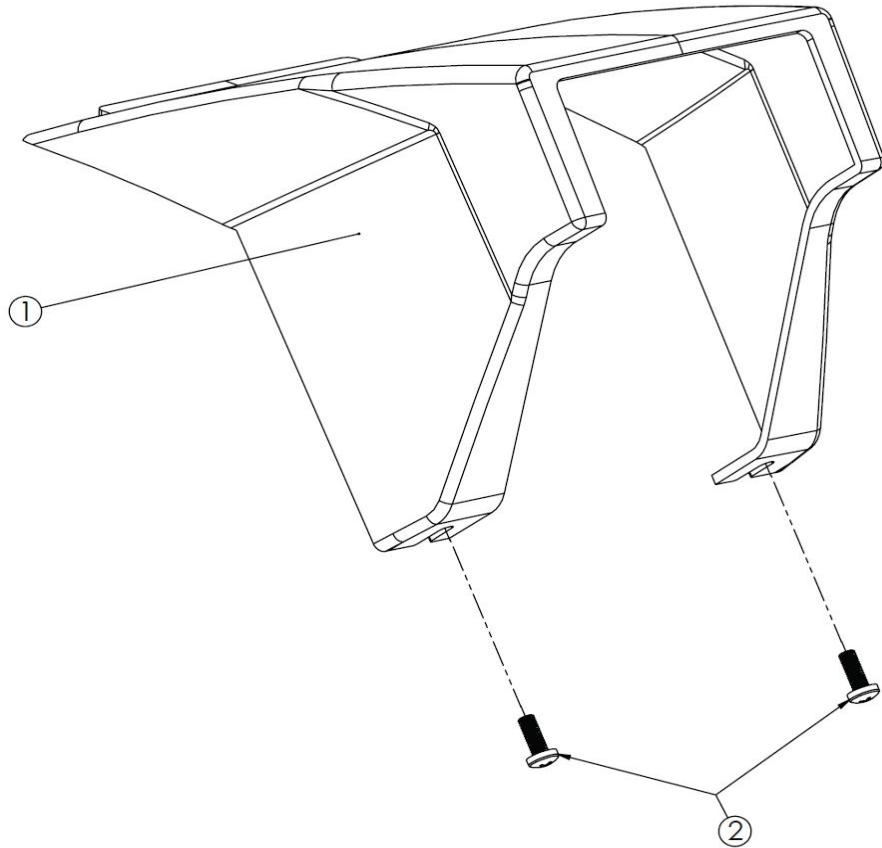
Ref #	Part Number	Qty	Description
1	A6844	1	KIT:ASSY, 6 DEG, PEDAL ARM, LATITUDE
2	A6792	1	KIT:ASSY, PEDAL, LATITUDE
3	10537-10039	6	NUT:NUT, ACORN, #10-32, BLK, ZINC
4	P5811	1	Plug, Bariatric, Tube,50mm O.D
5	11103519	2	#10-24 x 5/16" Zinc TH Mating
6	P5470	1	FOOT STRAP PEDAL STEP 1
7	P5476	1	BUCKLE FOOT STRAP STEP 1
8	10537-10038	4	SCR:SCREW, M8-1.25 X 16MM, HEX CAP, BLK, ZINC

Rear Cover



Ref #	Part Number	Qty	Description
1	A6496	1	KIT:ENCLOSURE, REAR, TOP, LATITUDE
2	A6497	1	KIT:ENCLOSURE, REAR, BOTTOM, LATITUDE
3	10537-09890	8	SCR:SCREW, M6-1.0 X 12MM, BHSC, BLK, ZINC
4	A6845	4	KIT:SPACER, BOLT, LATITUDE ENCLOSURE
5	10537-10458	4	SCR:SCREW, M6-1.0 X 45MM, BHSC, BLK, ZINC

Transition Cover



Ref #	Part Number	Qty	Description
1	10537-09060	4	Screw M5 x 12mm Phil Black Zinc
2	A7001	1	KIT:ASSY, FRONT COVER W/DECAL, LATITUDE

