

# LC-8500HR Exercise Bike

LC85-0000-32

## Parts Manual

1/5/2019 14:41:15 PM



*LifeFitness*  
WHAT WE LIVE FOR

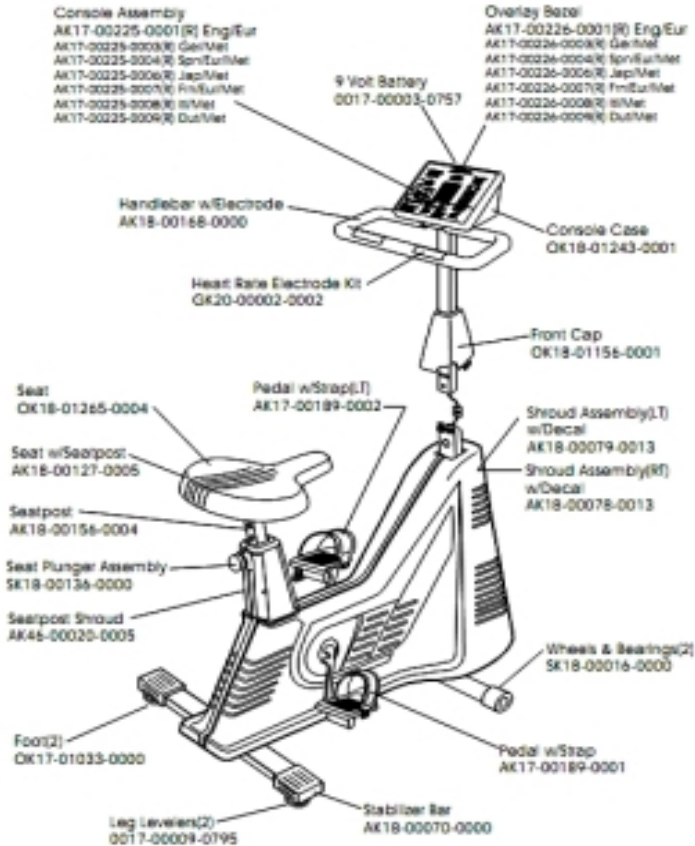


**Table of Contents**

---

<a href="#">Component Assembly 1</a> .....	3
<a href="#">Component Assembly 2</a> .....	5

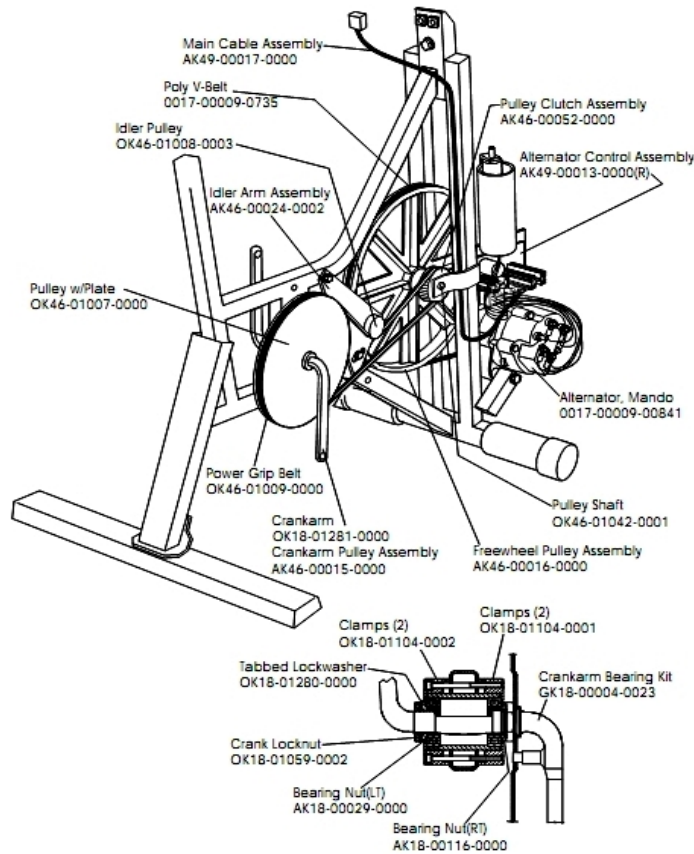
# Component Assembly 1



Ref #	Part Number	Qty	Description
-	0017-00009-0795	4	Leg Leveler
-	AK17-00225-0001	2	Console Assembly
-	AK18-00127-0005	2	Seat with Seat Post Assembly
-	AK17-00226-0006	1	Overlay Bezel Japanese/Metric
-	AK17-00226-0003	1	Overlay Bezel German/Metric
-	AK17-00225-0008	1	Console Italian/Metric
-	OK18-01243-0001	2	Console Case
-	SK18-00070-0000	2	Stabilizer Bar
-	SK18-00016-0000	4	Wheel Bearing Assembly
-	AK17-00226-0009	1	Overlay Bezel Dutch/Metric
-	AK17-00226-0001	2	Overlay Bezel English/Metric
-	AK17-00225-0007	1	Console French/European/Metric
-	AK17-00189-0002	2	Pedal with Strap - Left
-	0017-00003-0757	2	9 Volt Battery
-	SK18-00168-0000	2	NLA: KIT: SERV;HANDLE; LC-9500HR BM
-	SK18-00156-0004	2	Kit: Serv; Seatpost-Weld BM
-	SK18-00136-0000	2	Seat Plunger Assembly
-	AK18-00078-0013	2	Shroud Assembly with Decal - Right
-	AK17-00225-0004	1	Console Spanish/European/Metric
-	AK17-00189-0001	2	Pedal with Strap - Right
-	OK18-01156-0001	2	Front Cap
-	AK17-00226-0008	1	Overlay Bezel Italian/Metric

Ref #	Part Number	Qty	Description
-	AK17-00225-0006	1	Console Japanese/Metric
-	AK17-00225-0009	1	Console Dutch/Metric
-	AK17-00226-0004	1	Overlay Bezel Spanish/European/Metric
-	AK18-00079-0013	2	Shroud Assembly with Decal - Left
-	AK46-00020-0005	2	Seatpost Shroud
-	AK17-00225-0003	1	Console German/Metric
-	AK17-00226-0007	1	Overlay Bezel French/European/Metric
-	GK20-00002-0002	2	Heart Rate Electrode Kit
-	0K18-01265-0004	2	Seat
-	0K17-01033-0000	4	Foot

## Component Assembly 2



Ref #	Part Number	Qty	Description
-	AK46-0024-0002	2	Idler Arm Assembly
-	OK18-01104-0001	4	Clamp
-	GK18-00004-0023	2	Crankarm Bearing Kit
-	AK49-00013-0000	2	Alternator Control Assembly
-	OK18-01059-0002	2	Hardware: Locknut
-	0017-00009-0841	2	Alternator
-	AK46-00052-0000	2	Cog Pulley
-	AK18-00116-0001	2	Hardware: Bearing Nut - Right
-	OK46-01008-0005	2	Idler Pulley
-	0017-00009-1324	2	Belt: Poly-V; 49.00 IN
-	OK51-01009-0000	2	Crank Arm Pulley
-	OK18-01281-0000	2	Crankarm
-	AK18-00029-0001	2	Hardware: Bearing Nut - Left
-	SK51-00024-0000	2	Crank Arm with Pulley
-	OK46-01042-0001	2	Pulley Shaft
-	OK46-01009-0000	2	Power Grip Belt
-	OK18-01280-0000	2	Hardware: Tabbed Lock Washer
-	OK18-01104-0002	4	Clamp
-	AK46-00016-0000	2	Freewheel Pulley Assembly
-	AK49-00017-0000	2	Lower Console Cable

