

LC-8500 Lifecycle

LC85-0000-35

Parts Manual

1/5/2019 14:41:16 PM

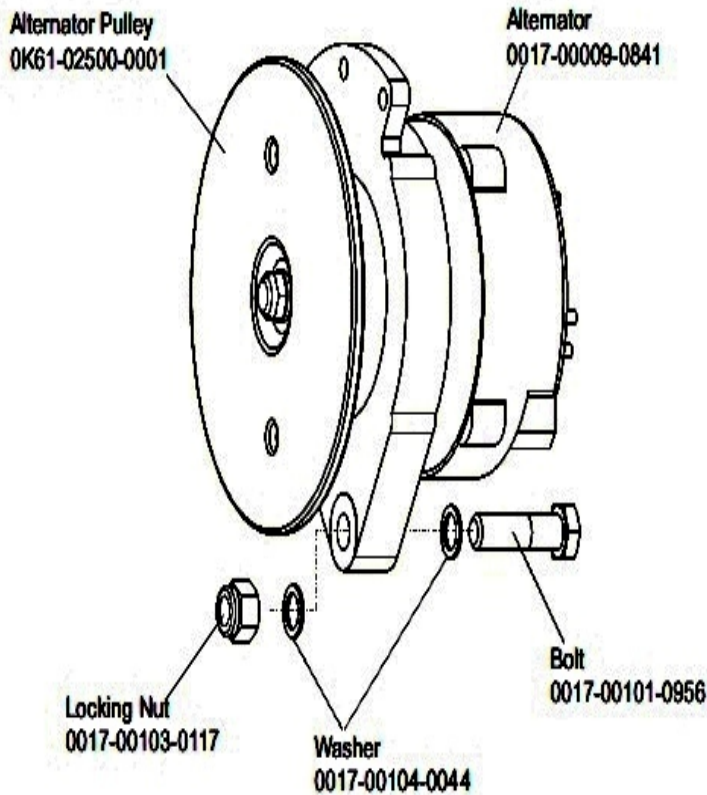


LifeFitness
WHAT WE LIVE FOR

Table of Contents

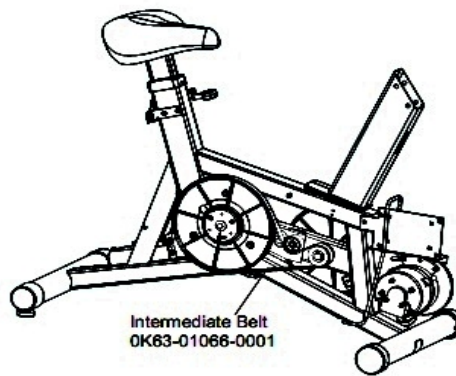
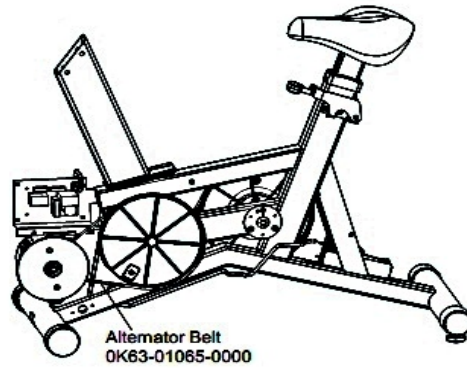
Alternator with Pulley Assembly	3
Belts	4
Console Overlay Bezel Assembly	5
Console Support Assembly	6
Crankshaft and Bearing Assembly	7
Final Frame Assembly	8
Front Wheels	9
General Assembly	10
Handlebar Assembly	11
Idler Bracket Assembly	12
Intermediate Shaft and Bearing Assembly	13
Left Side Shroud and Crank Arm	14
PCB Mounting Bracket Assembly	15
Resistor Assembly	16
Right Side Shroud and Crank Arm	17
Seat Latch Assembly	18
Seat Post Assembly	19
Seat Post Shrouds	20

Alternator with Pulley Assembly



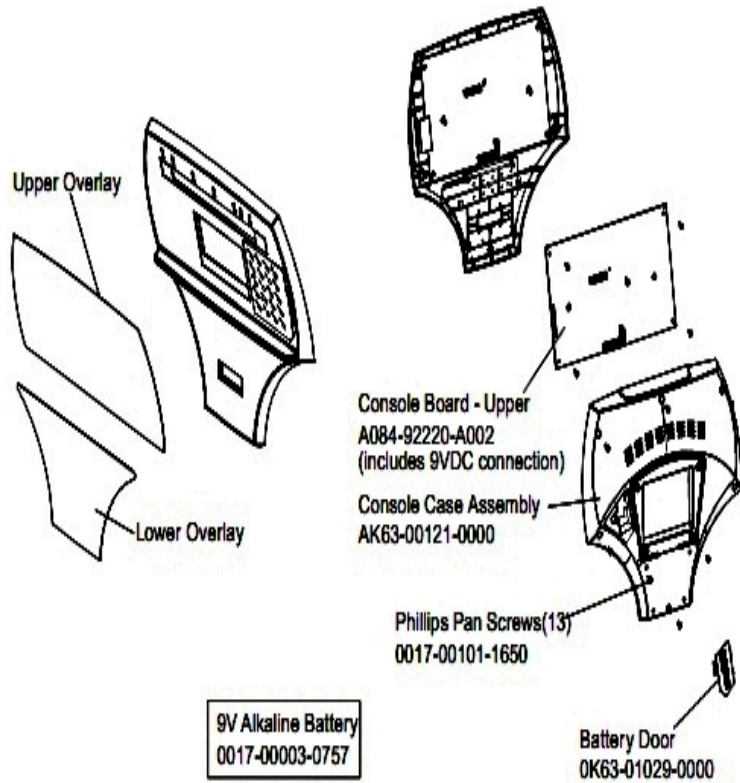
Ref #	Part Number	Qty	Description
-	0K61-01027-0000	1	Flywheel: 6.75" D
-	0017-00103-0117	1	Hardware: Locking Nut 1/2" ID
-	0017-00101-0956	1	Hardware: Bolt 2"
-	0017-00104-0044	2	Hardware: Washer 0.75" OD
-	0017-00009-0841	1	Alternator
-	AK63-00093-0000	1	Alternator w/Pulley

Belts



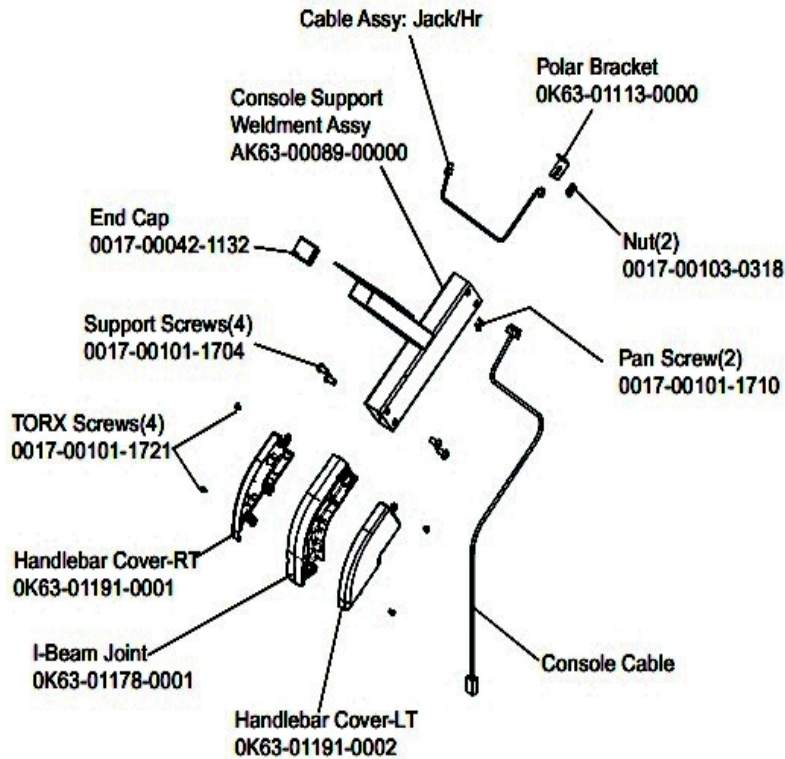
Ref #	Part Number	Qty	Description
-	0K63-01405-0000	1	BELT: POLY-V; 390J6; 39.00 IN
-	GK63-00002-0079	1	Kit: Upright/Rec Belt And Pulley

Console Overlay Bezel Assembly



Ref #	Part Number	Qty	Description
-	A084-92220-A002	1	Console Board - Upper
-	AK63-00072-0001	1	Console Assembly English Metric
-	0017-00003-0757	1	9 Volt Battery
-	0017-00101-1650	13	Hardware: Phillips Pan Screw 0.375"
-	AK63-00080-0001	1	Overlay Bezel English Metric
-	AK63-00121-0000	1	Console Case Assembly
-	OK63-01029-0000	1	Battery Door

Console Support Assembly

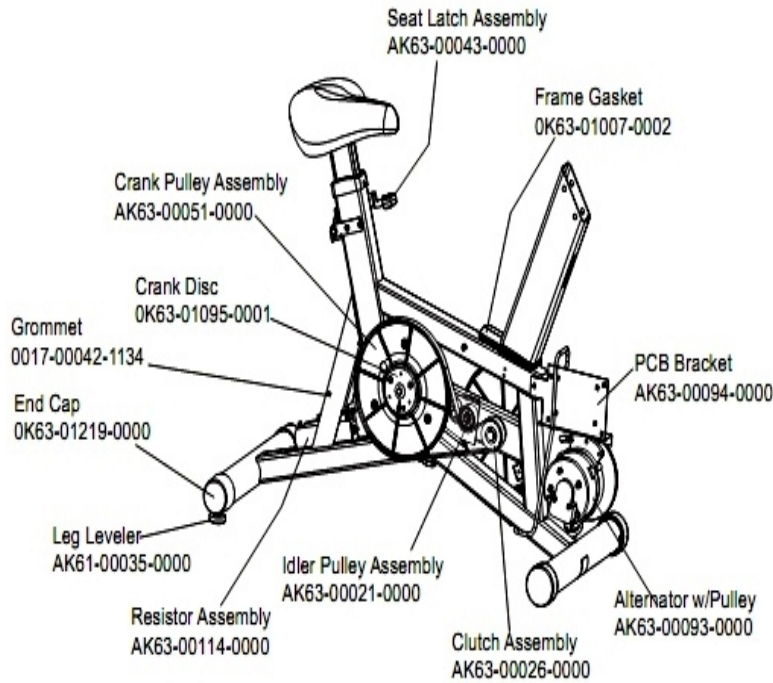


Ref #	Part Number	Qty	Description
-	OK63-01191-0001	1	Handlebar Cover-Right
-	OK63-01113-0000	1	Polar Bracket
-	AK63-00097-0000	1	Console Cable
-	0017-00101-1736	4	Hardware: Support Screw
-	0017-00101-1721	4	Hardware: Pan Screw
-	AK63-00111-0000	1	Console Support Assembly
-	0017-00103-0318	2	Hardware: Nut
-	AK63-00089-0000	1	Console Support Weldment Assembly
-	OK63-01191-0002	1	Handlebar Cover-Left
-	OK63-01178-0001	1	I-Beam Joint
-	0017-00101-1710	2	Hardware: Pan Screw
-	0017-00042-1132	1	End Cap

Crankshaft and Bearing Assembly

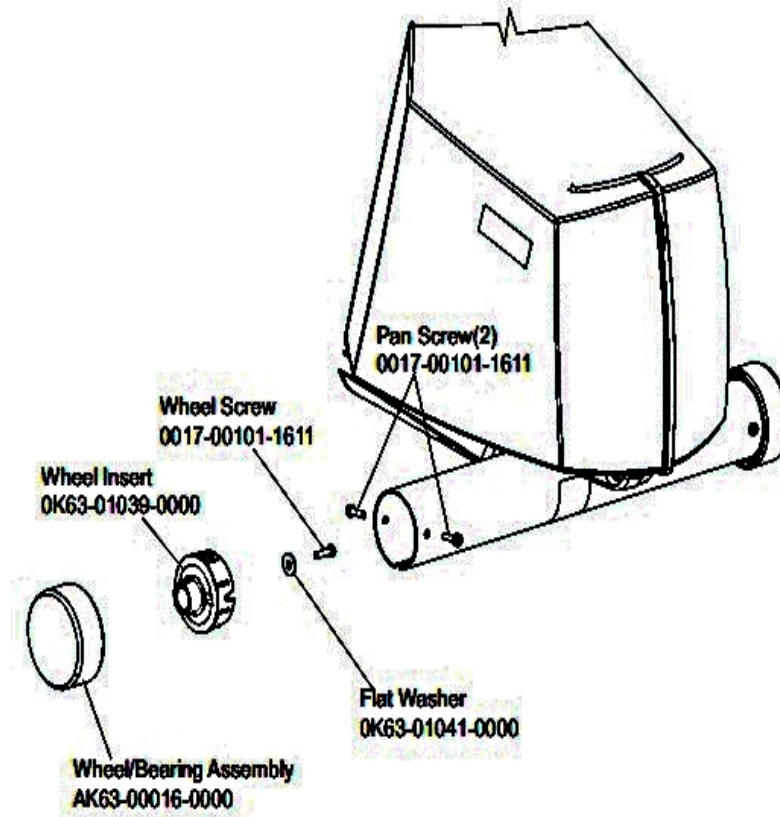
Ref #	Part Number	Qty	Description
-	GK63-00002-0077	1	Crankshaft and Bearing Kit
-	0017-00100-0243	2	Hardware: Bowed Retaining Ring .984"
-	0K63-01129-0000	2	Hardware: Small Thrust Washer
-	0K63-01129-0001	2	Hardware: Large Thrust Washer
-	0K63-01128-0000	2	Needle Bearing
-	0017-00100-0241	2	Hardware: Small Snap Ring .984"

Final Frame Assembly



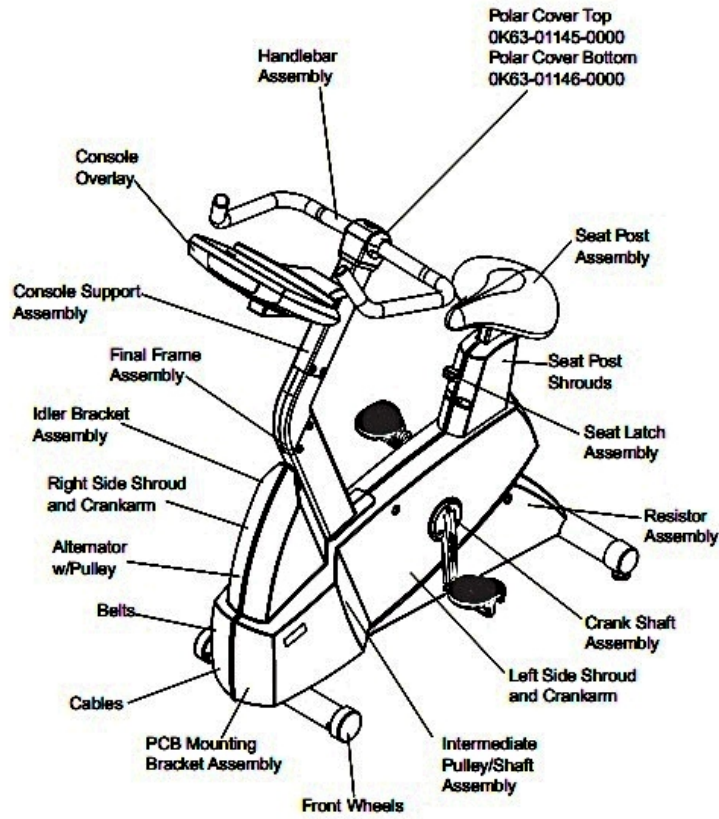
Ref #	Part Number	Qty	Description
-	GK63-00002-0079	1	Kit: Upright/Rec Belt And Pulley
-	AK61-00035-0000	2	Leg Leveler
-	0017-00042-1134	1	Grommet
-	OK63-01007-0002	1	Frame Gasket
-	AK63-00043-0000	1	Seat Latch Assembly
-	OK63-01095-0001	1	Crank Arm Hub
-	AK63-00114-0000	1	Resistor Assembly
-	OK63-01219-0000	2	End Cap
-	AK63-00093-0000	1	Alternator w/Pulley
-	AK63-00094-0000	1	PCB Mounting Bracket
-	AK63-00021-0000	1	Idler Bracket Assembly
-	AK63-00051-0000	1	Pulley Assembly

Front Wheels



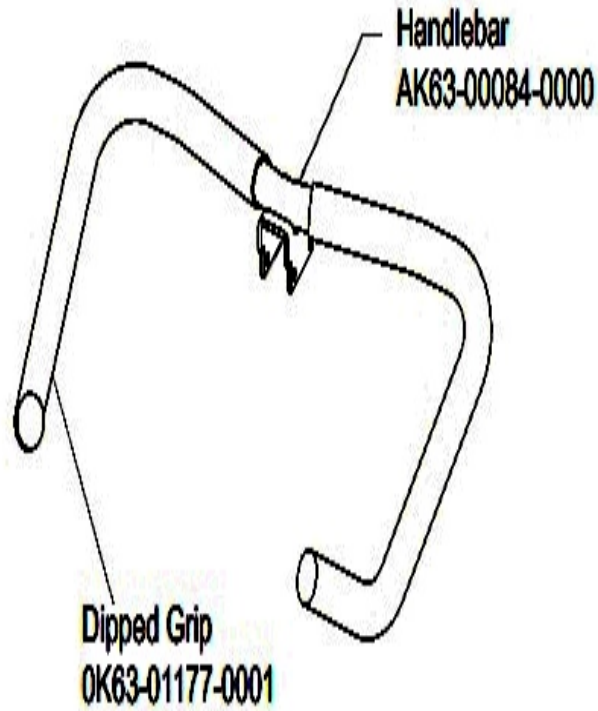
Ref #	Part Number	Qty	Description
-	AK63-00016-0000	2	Wheel/Bearing Assembly
-	AK63-00017-0000	2	Wheel/Bearing Assembly
-	0K63-01041-0000	2	Hardware: Flat Washer
-	0017-00101-1611	6	Hardware: Insert Screw
-	0K63-01039-0000	2	Wheel Insert

General Assembly



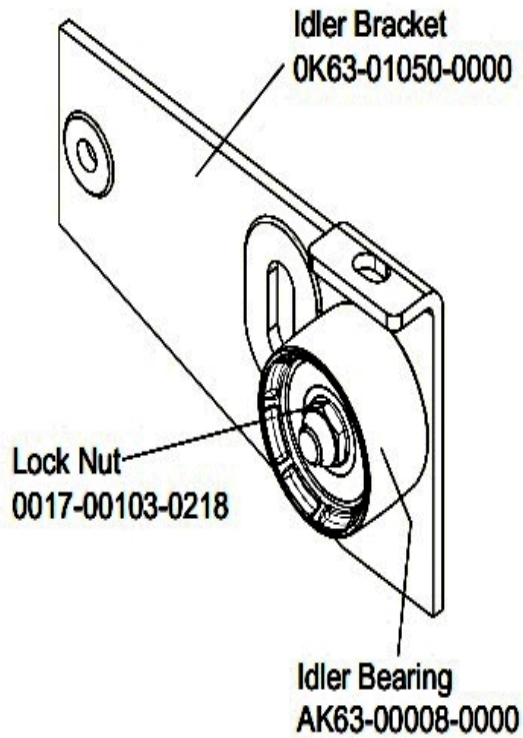
Ref #	Part Number	Qty	Description
-	0K63-01146-0000	1	Bottom Sensor Cover
-	0K63-01145-0000	1	Upper Sensor Cover

Handlebar Assembly



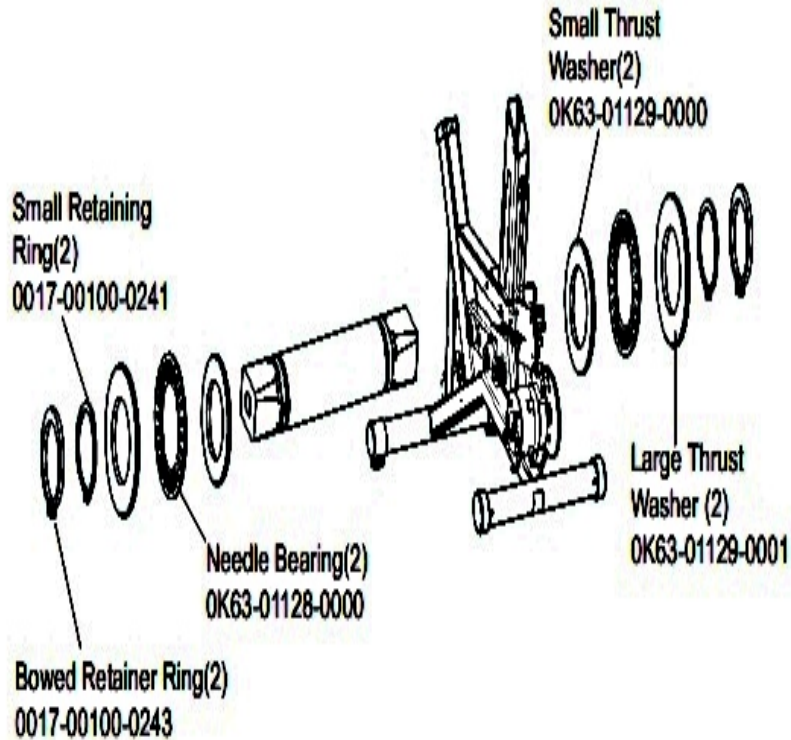
Ref #	Part Number	Qty	Description
-	OK63-01177-0001	1	Dipped Grip
-	AK63-00084-0000	1	Handlebar
-	AK63-00101-0000	1	Handlebar Assembly

Idler Bracket Assembly



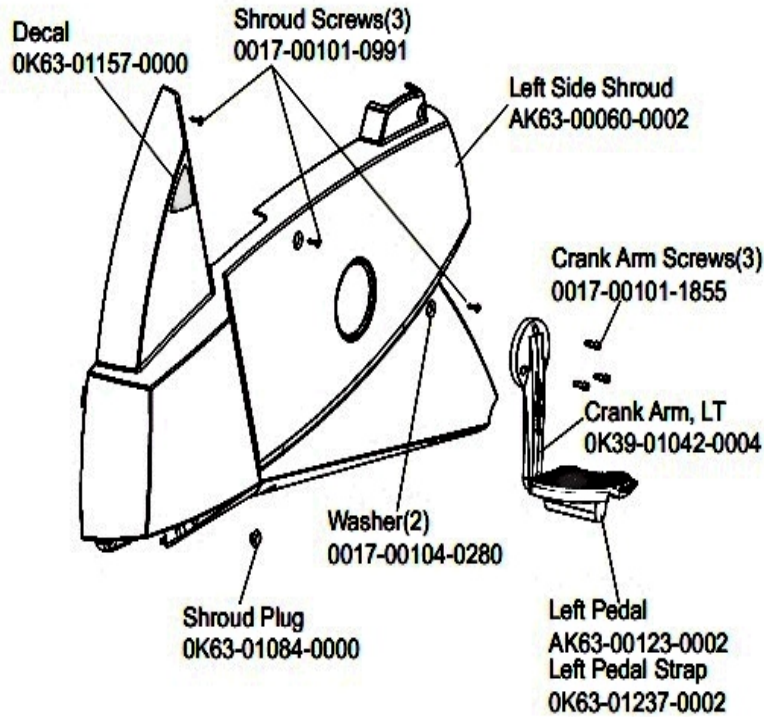
Ref #	Part Number	Qty	Description
-	AK63-00008-0000	1	Idler w/Bearing
-	0K63-01050-0000	1	Idler Bracket
-	AK63-00021-0000	1	Idler Bracket Assembly
-	0017-00103-0218	1	Hardware: Lock Nut 3/8" ID

Intermediate Shaft and Bearing Assembly



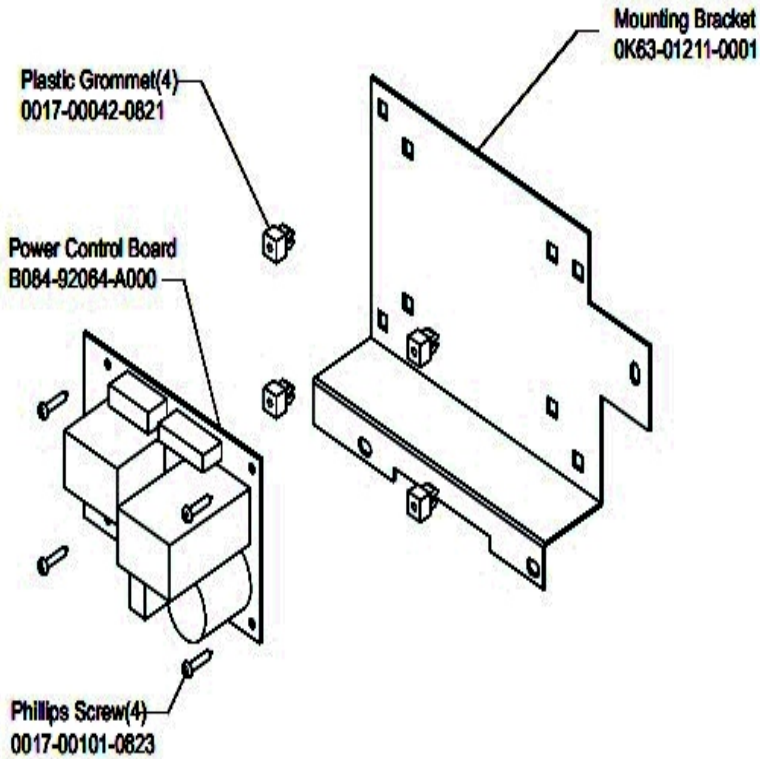
Ref #	Part Number	Qty	Description
-	GK63-00002-0007	1	Intermediate Shaft and Bearing Assembly
-	0017-00100-0242	1	Hardware: Retaining Ring .781"
-	0017-00104-0455	2	Hardware: Delrin Washer 1.250" OD
-	GK63-00002-0079	1	Kit: Upright/Rec Belt And Pulley

Left Side Shroud and Crank Arm



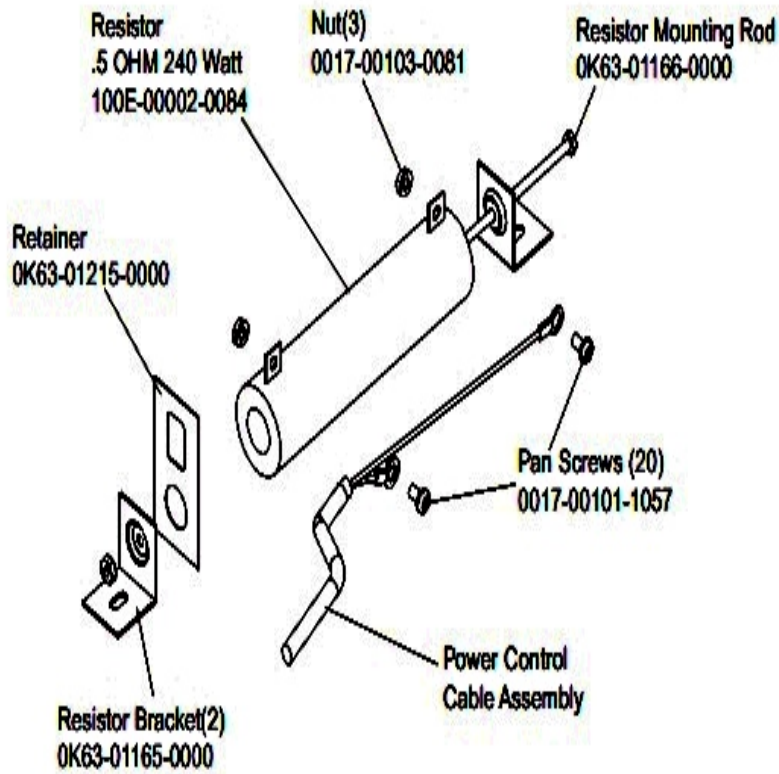
Ref #	Part Number	Qty	Description
-	OK63-01237-0002	1	Left Pedal Strap
-	AK63-00060-0002	1	Left Side Shroud
-	AK63-00123-0002	1	Left Pedal
-	OK39-01042-0004	1	Crank Arm Left
-	0017-00104-0280	2	Hardware: Washer
-	OK63-01157-0000	1	Decal
-	0017-00101-1855	3	Hardware: TORX Screw 0.875"
-	0017-00101-0991	3	Hardware: Phillips Pan Screw 0.75"
-	OK63-01084-0000	1	Shroud Plug

PCB Mounting Bracket Assembly



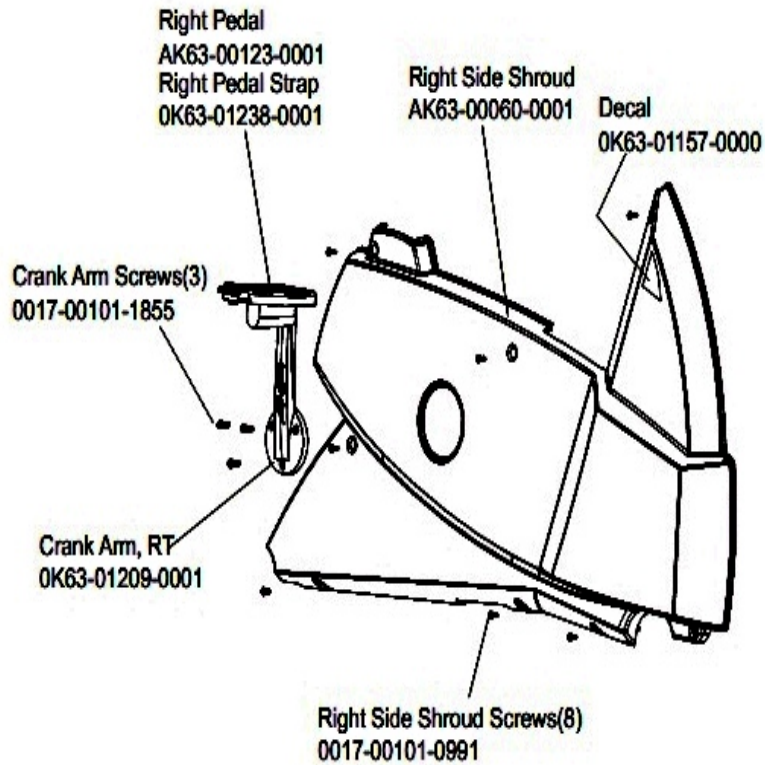
Ref #	Part Number	Qty	Description
-	0017-00042-0821	4	Hardware: Plastic Grommet
-	0K63-01211-0001	1	Mounting Bracket
-	0017-00101-0823	4	Hardware: Screw 0.75"
-	B084-92064-A000	1	PCB Circuit Board
-	AK63-00094-0000	1	PCB Mounting Bracket

Resistor Assembly



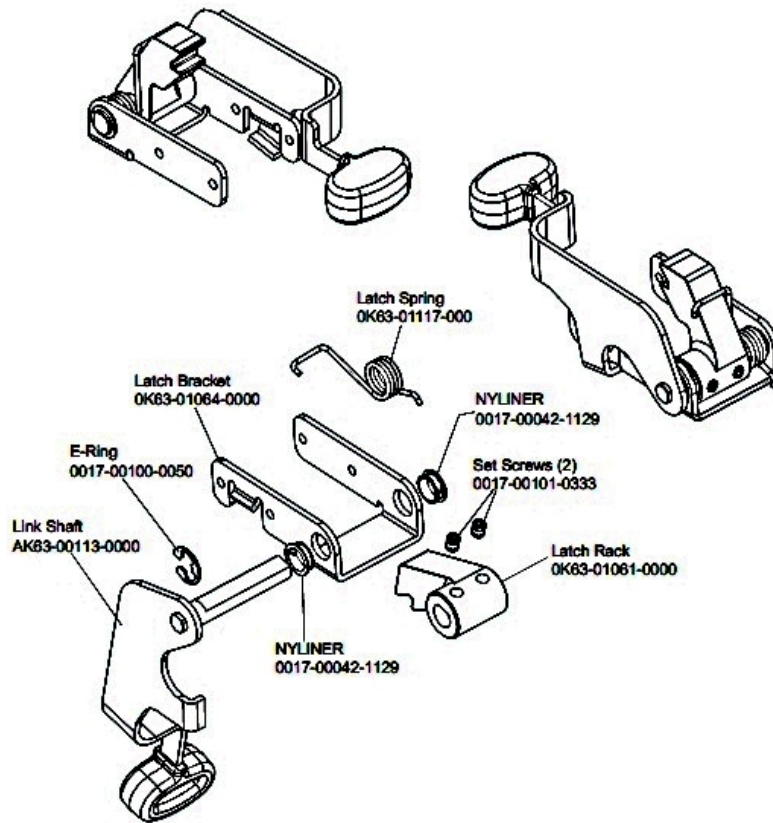
Ref #	Part Number	Qty	Description
-	OK63-01165-0000	2	Resistor Bracket
-	OK63-01166-0000	1	Resistor Mounting Rod
-	0017-00101-1057	2	Hardware: Pan Screw 0.5"
-	0017-00103-0081	3	Hardware: Hex Nut ID
-	OK63-01215-0000	1	Hardware: Resistor Retainer
-	AK63-00114-0000	1	Resistor Assembly
-	100E-00002-0084	1	Resistor

Right Side Shroud and Crank Arm



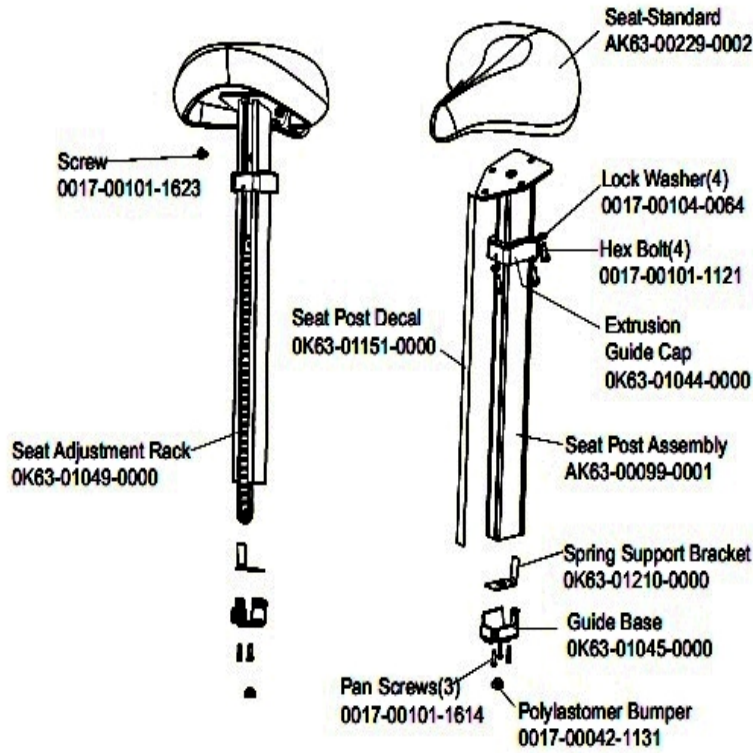
Ref #	Part Number	Qty	Description
-	0017-00101-0991	8	Hardware: Phillips Pan Screw 0.75"
-	0017-00101-1855	3	Hardware: TORX Screw 0.875"
-	OK63-01238-0001	1	Right Pedal Strap
-	OK63-01157-0000	1	Decal
-	AK63-00123-0001	1	Right Pedal
-	AK63-00060-0001	1	Right Side Shroud
-	OK39-01042-0005	1	Crank Arm Right

Seat Latch Assembly



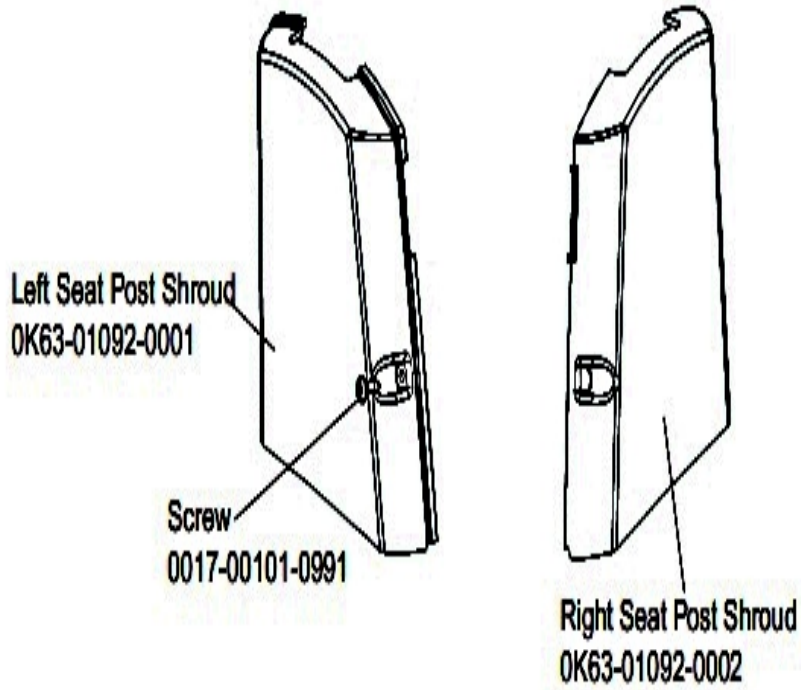
Ref #	Part Number	Qty	Description
-	OK63-01117-0000	1	Latch Spring
-	OK63-01064-0000	1	Latch Bracket
-	OK63-01061-0000	1	Latch Rack
-	0017-00101-0333	2	Hardware: Screw 0.3125"
-	0017-00100-0050	1	Hardware: E-Ring .5"
-	AK63-00113-0000	1	Link Shaft
-	0017-00042-1129	2	Hardware: Nyliner Ring - 1/2" Diameter
-	AK63-00043-0000	1	Seat Latch Assembly

Seat Post Assembly



Ref #	Part Number	Qty	Description
-	OK63-01049-0000	1	Seat Adjustment Rack
-	AK63-00099-0001	1	Seat Post Assembly
-	AK63-00229-0002	1	Seat-Standard
-	0017-00042-1131	1	Bumper
-	0017-00101-1614	3	Hardware: Screw 0.625"
-	AK63-00232-0001	1	Seat Post Assembly
-	OK63-01045-0000	1	Guide Base
-	OK63-01151-0000	1	Seat Post Decal
-	0017-00101-1623	1	Hardware: Screw
-	OK63-01210-0000	1	Spring Support Bracket
-	0017-00101-1121	4	Hardware: Bolt 4.6875"
-	0017-00104-0064	4	Hardware: Lock Washer 0.586" OD
-	OK63-01044-0000	1	Extrusion Guide Cap

Seat Post Shrouds



Ref #	Part Number	Qty	Description
-	0K63-01092-0001	1	Left Seat Post Shroud
-	0K63-01092-0002	1	Left Seat Post Shroud
-	0017-00101-0991	1	Hardware: Phillips Pan Screw 0.75"

