

LC-8500R Recumbent Console

LC85R-0100-28

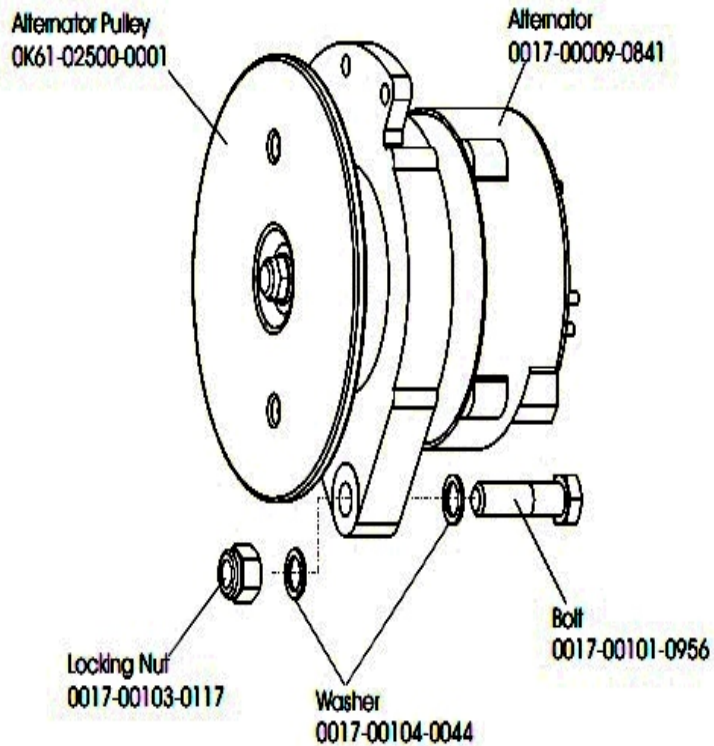
Parts Manual

1/5/2019 14:45:34 PM

Table of Contents

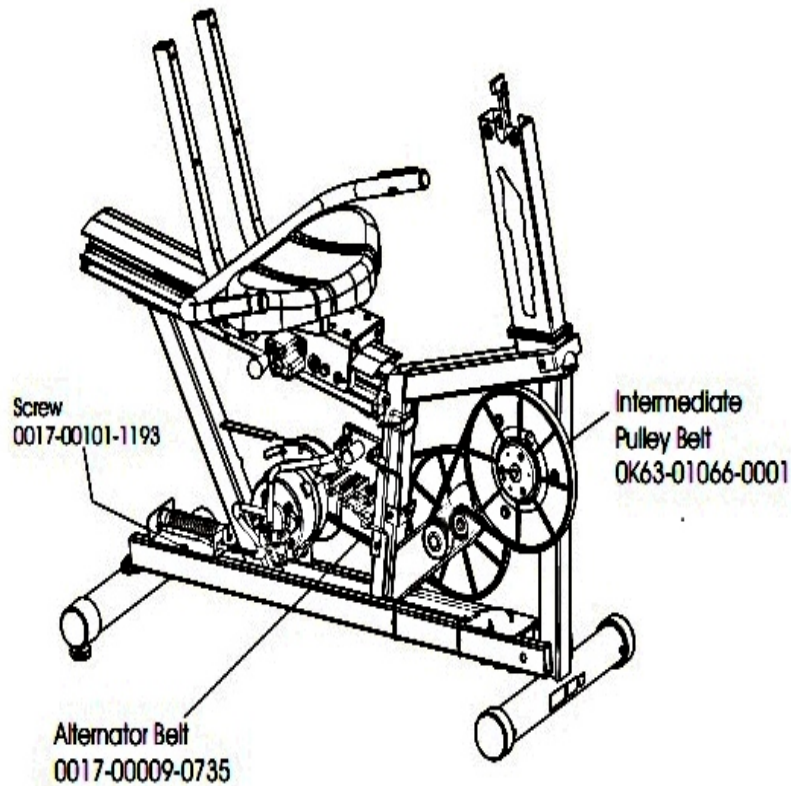
Alternator with Pulley	3
Belts and 6V Battery	4
Cable Block Assembly	5
Console Overlay Bezel Assembly	6
Console Support Assembly	7
Crank Shaft and Bearing Assembly	8
Extrusion Assembly	9
Idler Bracket Assembly	10
Intermediate Shaft and Bearing Assembly	11
Lock Assembly	12
Power Control Board	13
Resistor Assembly	14
Seat Assembly	15
Seat Assembly - Bottom	16
Seat Frame Assembly	17
Seat Pads and Accessory Tray	18
Shrouds, End Cap, and Pedals	19
Wheel and Leveler	20

Alternator with Pulley



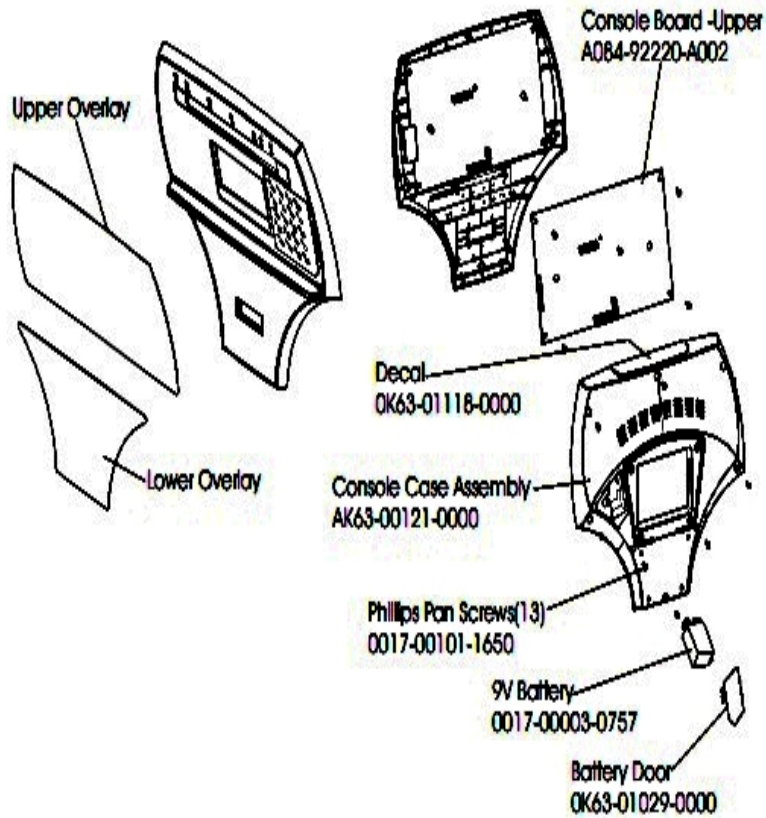
Ref #	Part Number	Qty	Description
-	0017-00101-0956	1	Hardware: Bolt 2"
-	0017-00103-0117	1	Hardware: Locking Nut 1/2" ID
-	0017-00104-0044	2	Hardware: Washer 0.75" OD
-	OK61-01027-0000	1	Flywheel: 6.75" D
-	0017-00009-0841	1	Alternator
-	AK63-00093-0000	1	Alternator w/Pulley

Belts and 6V Battery



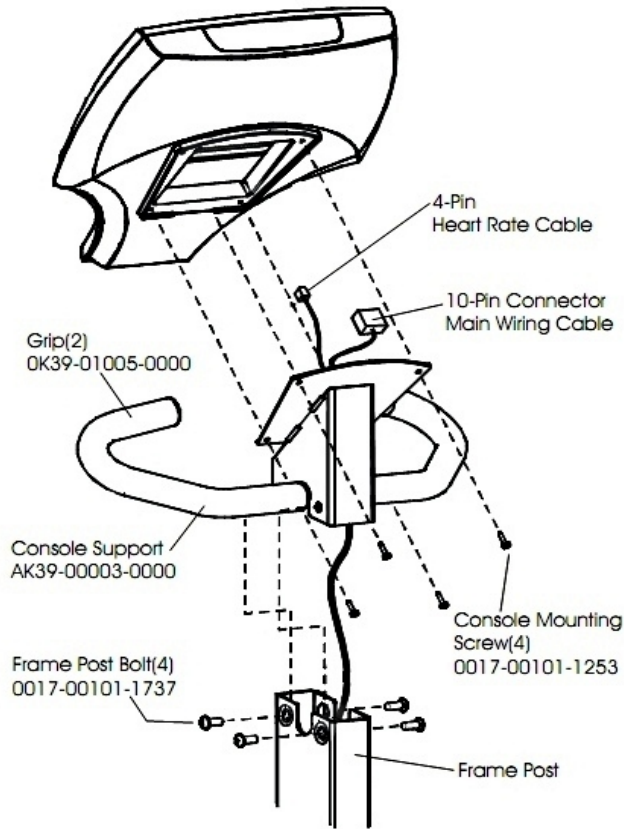
Ref #	Part Number	Qty	Description
-	GK63-00002-0079	1	Kit: Upright/Rec Belt And Pulley
-	0017-00101-1193	1	Hardware: Screw 0.375"
-	0017-00009-1324	1	Belt: Poly-V; 49.00 IN

Console Overlay Bezel Assembly



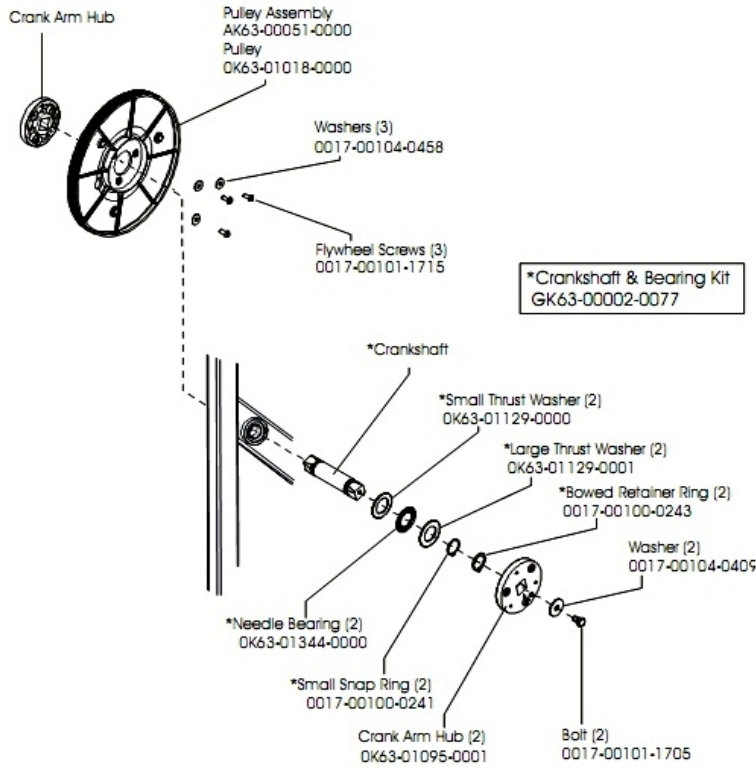
Ref #	Part Number	Qty	Description
-	OK63-01029-0000	1	Battery Door
-	AK63-00121-0000	1	Console Case Assembly
-	0017-00003-0757	1	9 Volt Battery
-	0017-00101-1650	13	Hardware: Phillips Pan Screw 0.375"
-	OK63-01118-0000	1	Decal
-	GK39-00002-0001	1	Polar Upgrade Kit
-	A084-92220-A002	1	Console Board - Upper

Console Support Assembly



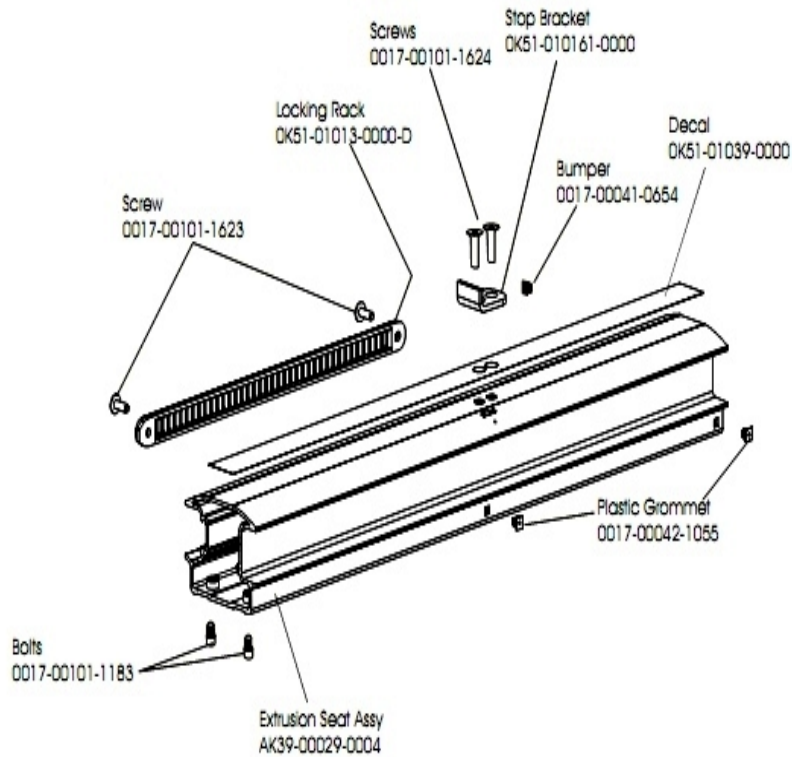
Ref #	Part Number	Qty	Description
-	AK63-00072-0001	1	Console Assembly English Metric
-	AK39-00003-0000	1	Console Support
-	0017-00101-1253	4	Hardware: Screw
-	0K39-01005-0000	2	Grip
-	0017-00101-1737	4	Hardware: Frame Post Bolt
-	AK63-00080-0001	1	Overlay Bezel English Metric

Crank Shaft and Bearing Assembly



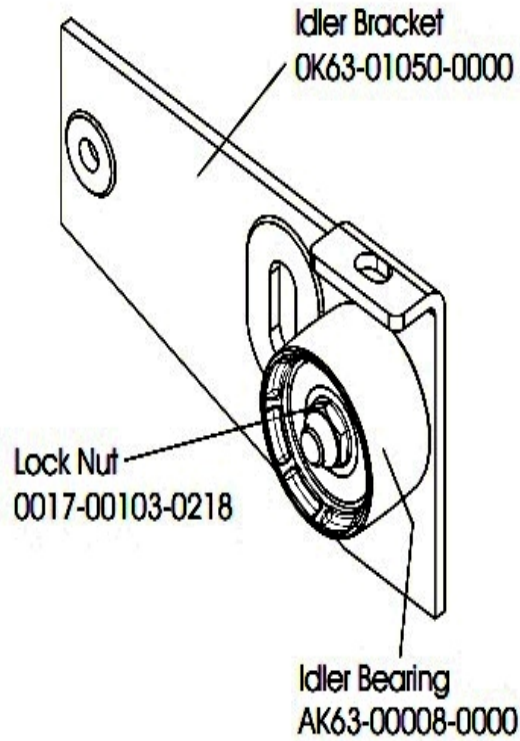
Ref #	Part Number	Qty	Description
-	OK63-01018-0000	1	Crank Pulley
-	0017-00104-0458	3	Hardware: Flat Washer 0.75" OD
-	0017-00101-1705	2	Hardware: Bolt 0.5"
-	OK63-01095-0001	2	Crank Arm Hub
-	AK63-00051-0000	1	Pulley Assembly
-	OK63-01129-0001	2	Hardware: Large Thrust Washer
-	OK63-01129-0000	2	Hardware: Small Thrust Washer
-	OK63-01344-0000	2	Hardware: Needle Bearing
-	0017-00100-0241	2	Hardware: Small Snap Ring .984"
-	GK63-00002-0077	1	Crankshaft and Bearing Kit
-	0017-00104-0409	2	Hardware: Washer 1.125" OD
-	0017-00101-1715	3	Hardware: TORX Cap Screw 0.625"
-	0017-00100-0243	2	Hardware: Bowed Retaining Ring .984"

Extrusion Assembly



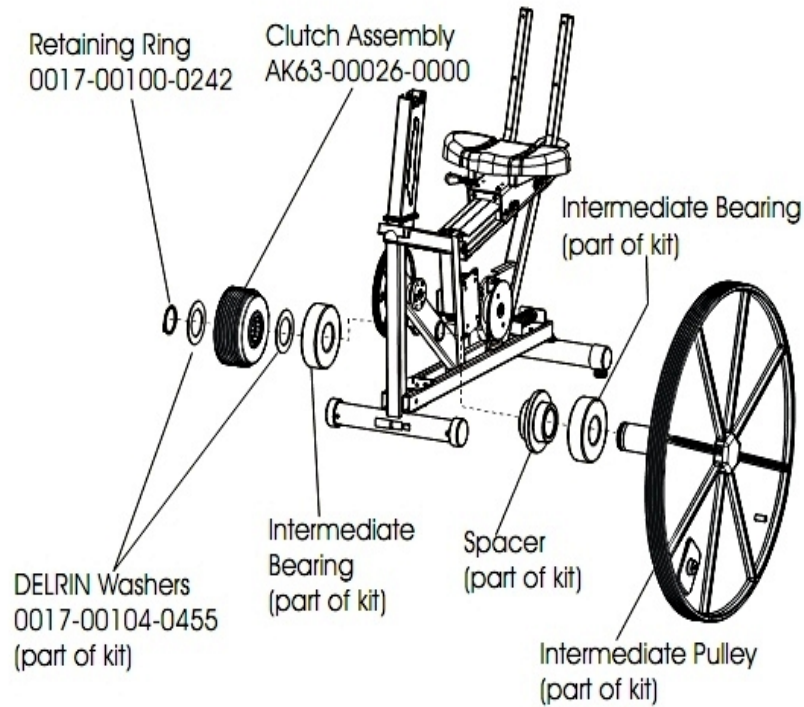
Ref #	Part Number	Qty	Description
-	0017-00101-1623	1	Hardware: Screw
-	0017-00101-1183	2	Hardware: Bolt 0.75"
-	OK51-01039-0000	1	Decal
-	0017-00041-0654	1	Bumper
-	0017-00101-1624	2	Hardware: Screw
-	OK51-01061-0000	1	Front Stop Bracket
-	AK39-0029-0004	1	Extrusion Seat Assembly
-	OK51-01013-0000	1	Locking Rack
-	0017-00042-1055	2	Hardware: Plastic Grommet

Idler Bracket Assembly



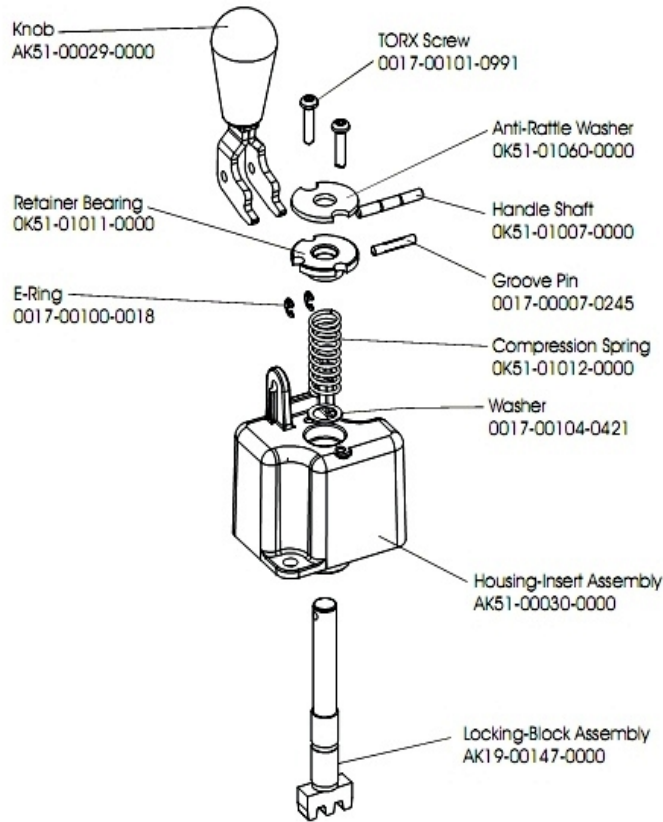
Ref #	Part Number	Qty	Description
-	AK63-00021-0000	1	Idler Bracket Assembly
-	0017-00103-0218	1	Hardware: Lock Nut 3/8" ID
-	AK63-00008-0000	1	Idler w/Bearing
-	OK63-01050-0000	1	Idler Bracket

Intermediate Shaft and Bearing Assembly



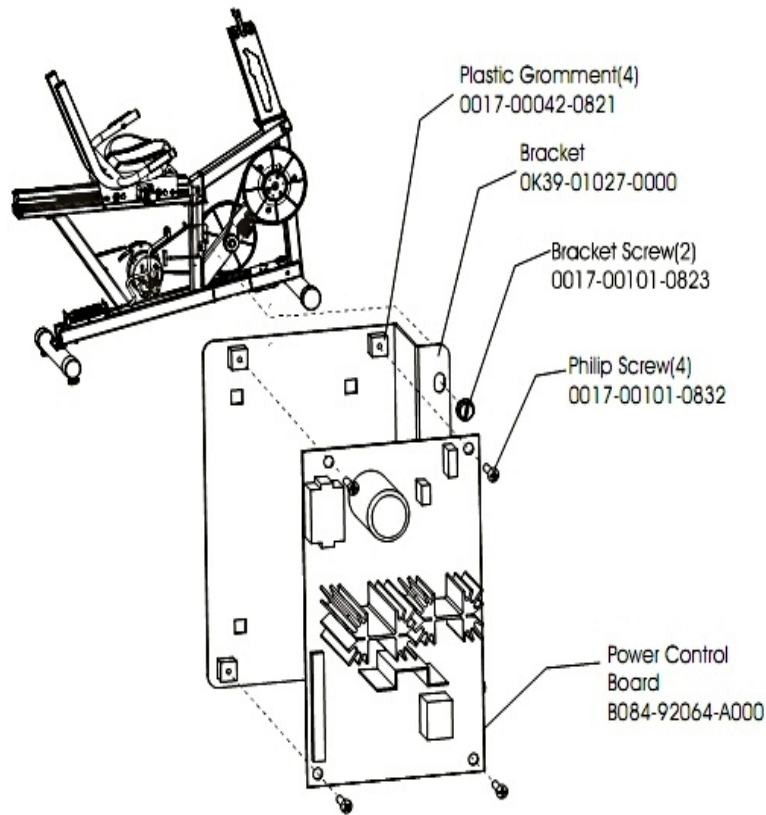
Ref #	Part Number	Qty	Description
-	GK63-00002-0079	1	Kit: Upright/Rec Belt And Pulley
-	AK63-00021-0000	1	Idler Bracket Assembly
-	0017-00104-0455	2	Hardware: Delrin Washer 1.250" OD
-	0017-00100-0242	1	Hardware: Retaining Ring .781"
-	GK63-00002-0007	1	Intermediate Shaft and Bearing Assembly

Lock Assembly



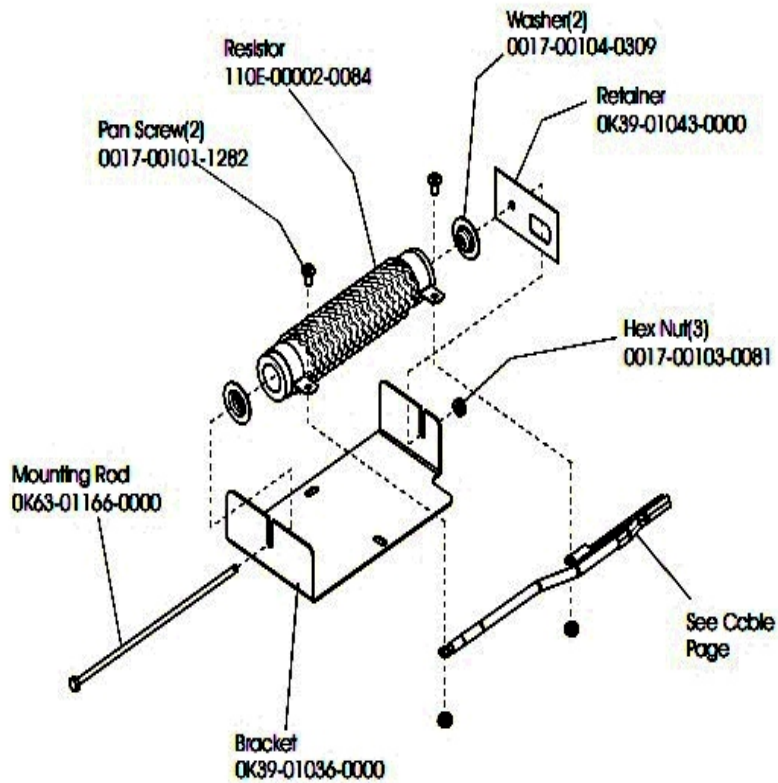
Ref #	Part Number	Qty	Description
-	0017-00007-0245	1	Hardware: Groove Pin 5/32" D 1.75" L
-	AK19-00147-0000	1	Locking-Block Assembly
-	AK51-00030-0000	1	Housing-Insert Assembly
-	OK51-01011-0000	1	Hardware: Retainer Bearing
-	0017-00100-0018	1	Hardware: E-Ring .188"
-	OK51-01060-0000	1	Anti-Rattle Washer
-	AK51-00029-0000	1	Knob
-	SK51-00053-0000	1	Lock Assembly
-	0017-00101-0991	1	Hardware: Phillips Pan Screw 0.75"
-	OK51-01007-0000	1	Handle Shaft
-	OK51-01012-0000	1	Compression Spring
-	0017-00104-0421	1	Hardware: Flat Washer 0.64" OD

Power Control Board



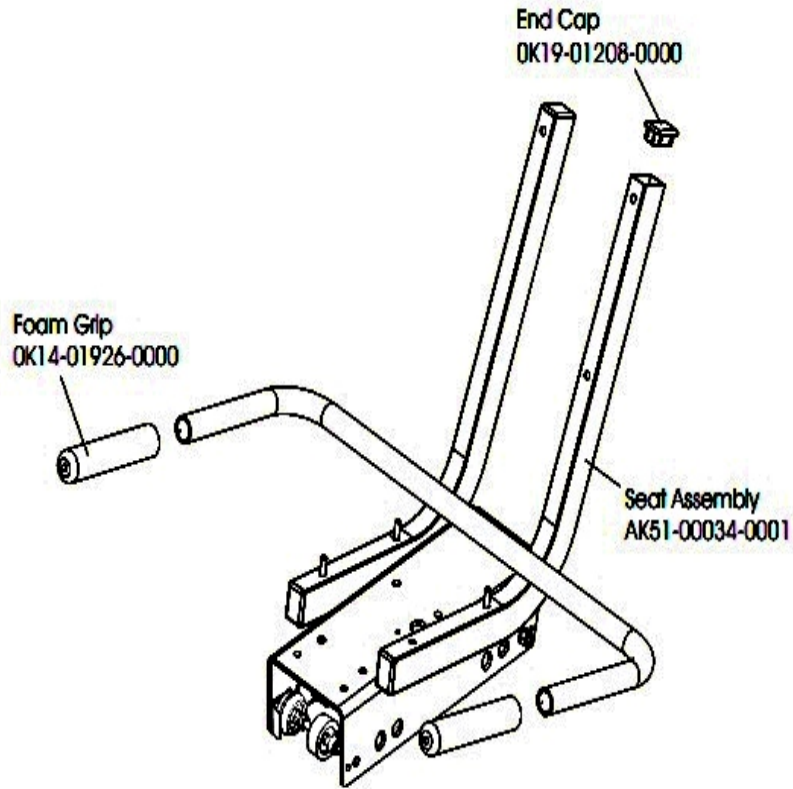
Ref #	Part Number	Qty	Description
-	0017-00042-0821	4	Hardware: Plastic Grommet
-	B084-92064-A000	1	PCB Circuit Board
-	0K39-01027-0000	1	PCB Bracket
-	0017-00101-0832	4	Hardware: Mounting Bolt. 1"
-	AK39-00022-0002	1	PCB Assembly

Resistor Assembly



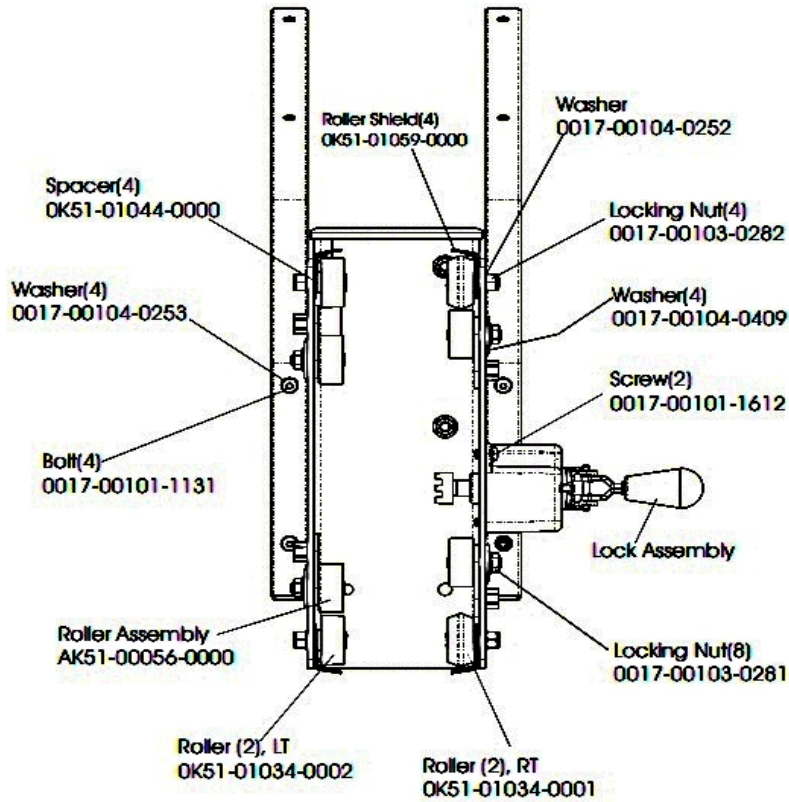
Ref #	Part Number	Qty	Description
-	0017-00103-0081	3	Hardware: Hex Nut ID
-	0017-00101-1282	2	Hardware: TORX Screw 0.375"
-	0017-00104-0309	2	Hardware: Washer 1.12" OD
-	100E-00002-0084	1	Resistor
-	OK39-01043-0000	1	Resistor Retainer
-	OK39-01036-0000	1	Resistor Bracket
-	OK63-01166-0000	1	Resistor Mounting Rod

Seat Assembly



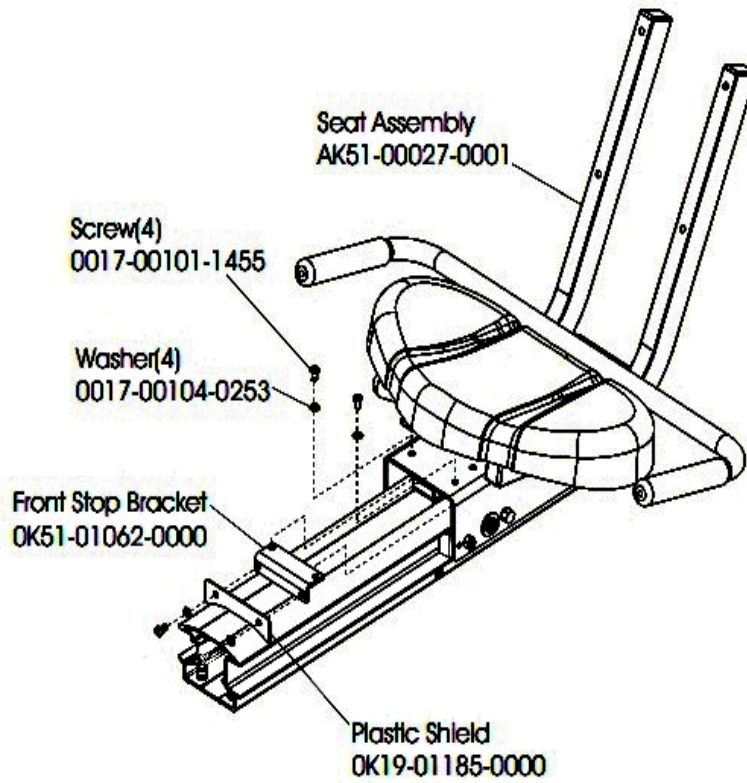
Ref #	Part Number	Qty	Description
-	OK19-01208-0000	4	End Cap
-	AK51-00034-0001	1	Seat Assembly
-	OK14-01926-0000	2	Foam Grip

Seat Assembly - Bottom



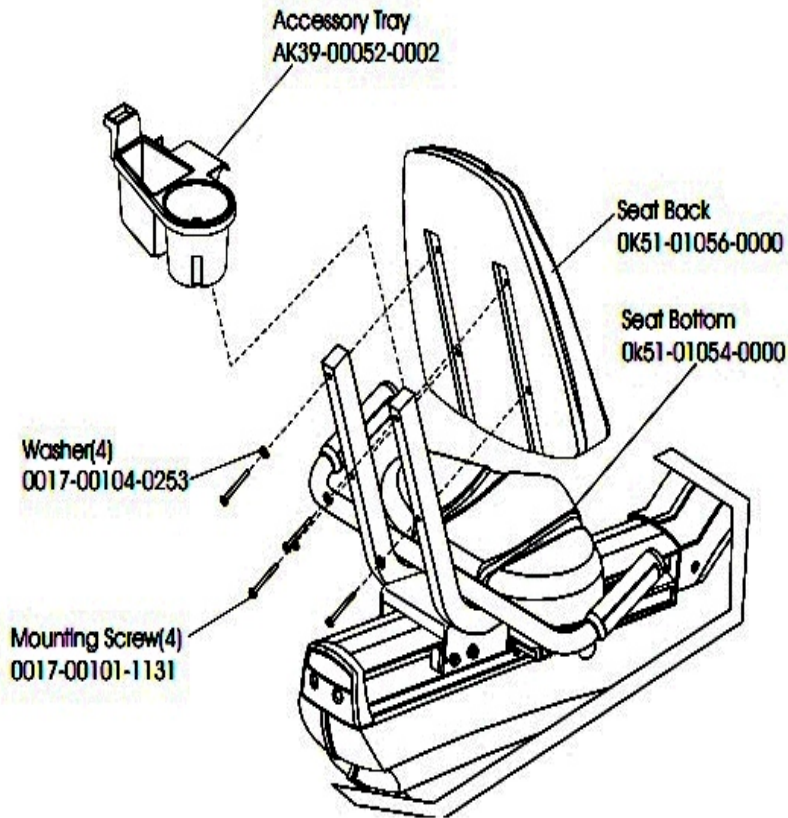
Ref #	Part Number	Qty	Description
-	0017-00101-1131	4	Hardware: Bolt
-	0017-00101-1612	2	Hardware: Phillips Screw 0.5"
-	0017-00104-0409	4	Hardware: Washer 1.125" OD
-	0017-00104-0252	1	Hardware: Washer
-	OK51-01034-0001	2	Seat Roller: Right
-	0017-00103-0281	8	Hardware: Locking Nut
-	AK51-00056-0000	1	Roller Assembly
-	OK51-01034-0002	2	Seat Roller: Left
-	0017-00104-0253	4	Hardware: Washer
-	0017-00103-0282	4	Hardware: Locking Nut 5/16" ID
-	OK51-01044-0000	4	Roller Spacer
-	OK51-01059-0000	4	Roller Guard

Seat Frame Assembly



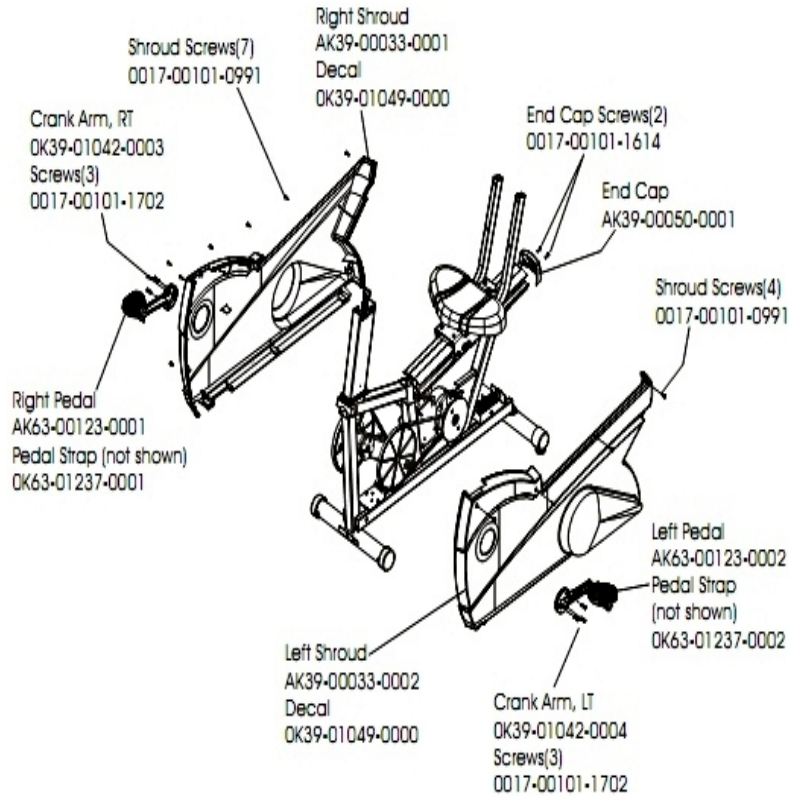
Ref #	Part Number	Qty	Description
-	0017-00101-1455	4	Hardware: Screw
-	0017-00104-0253	4	Hardware: Washer
-	OK51-01062-0000	1	Front Stop Bracket
-	AK51-00027-0001	1	Seat Assembly
-	OK19-01185-0000	1	Plastic Shield

Seat Pads and Accessory Tray



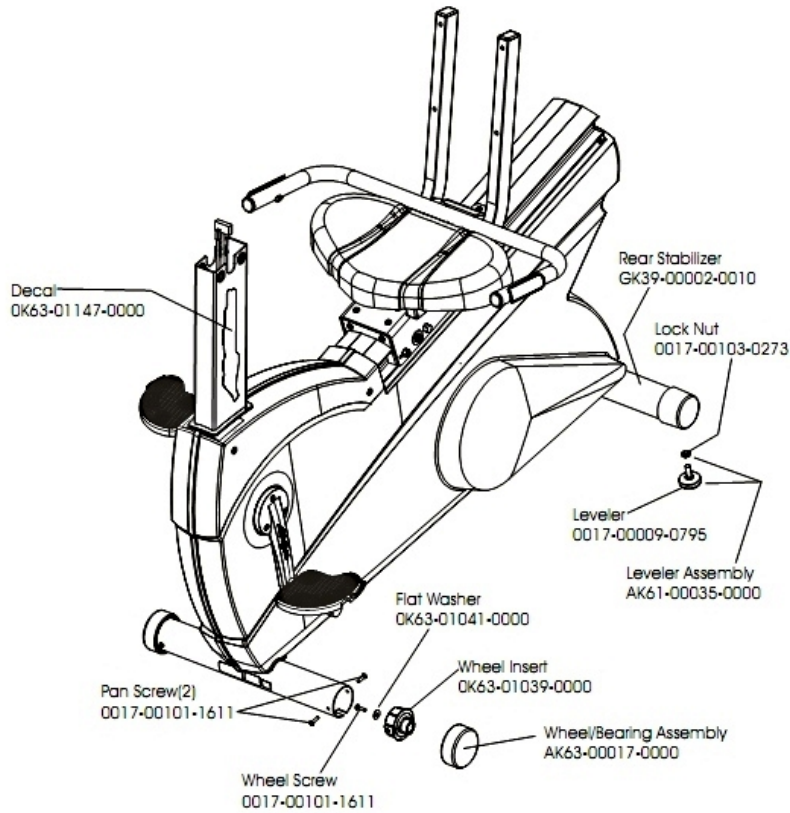
Ref #	Part Number	Qty	Description
-	AK39-00052-0002	1	Accessory Tray
-	0017-00104-0253	4	Hardware: Washer
-	0017-00101-1131	4	Hardware: Bolt
-	OK51-01056-0000	1	Seat Back
-	OK51-01054-0000	1	Seat Bottom

Shrouds, End Cap, and Pedals



Ref #	Part Number	Qty	Description
-	AK39-00050-0001	1	End Cap
-	AK63-00123-0002	1	Left Pedal
-	AK63-00123-0001	1	Right Pedal
-	OK63-01237-0002	1	Left Pedal Strap
-	0017-00101-1614	2	Hardware: Screw 0.625"
-	AK39-00033-0001	1	Shroud with Decal - Right
-	0017-00101-1702	6	Hardware: Screw
-	0017-00101-0991	11	Hardware: Phillips Pan Screw 0.75"
-	OK39-01042-0003	1	Crank Arm Right
-	AK39-00033-0002	1	Shroud with Decal - Left
-	OK39-01049-0000	2	Decal
-	OK39-01042-0004	1	Crank Arm Left
-	OK63-01237-0001	1	Right Pedal Strap

Wheel and Leveler



Ref #	Part Number	Qty	Description
-	0017-00009-0795	2	Leg Leveler
-	OK63-01041-0000	2	Hardware: Flat Washer
-	AK61-00035-0000	2	Leg Leveler
-	AK63-00017-0000	2	Wheel/Bearing Assembly
-	OK63-01039-0000	2	Wheel Insert
-	OK63-01147-0000	1	Decal
-	0017-00103-0273	2	Hardware: Hex Nut 3/8" ID
-	GK39-00002-0010	1	Rear Stabilizer
-	0017-00101-1611	4	Hardware: Insert Screw

