

# LC-9100R Recumbent Console

LC91R-0201-30

## Parts Manual

1/5/2019 14:49:52 PM

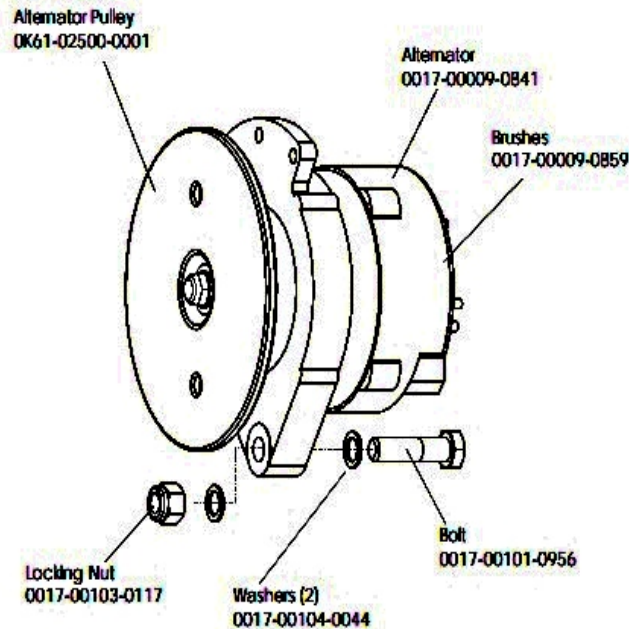
**Table of Contents**

---

<a href="#">Alternator with Pulley Assembly.....</a>	<a href="#">3</a>
<a href="#">Belts and 6V Battery.....</a>	<a href="#">4</a>
<a href="#">Cable Electrical Schematic.....</a>	<a href="#">5</a>
<a href="#">Console Overlay Bezel Assembly.....</a>	<a href="#">6</a>
<a href="#">Console Support Assembly.....</a>	<a href="#">7</a>
<a href="#">Crank Shaft and Bearing Assembly.....</a>	<a href="#">8</a>
<a href="#">Extrusion Assembly.....</a>	<a href="#">9</a>
<a href="#">Idler Bracket Assembly.....</a>	<a href="#">10</a>
<a href="#">Intermediate Shaft and Bearing Assembly.....</a>	<a href="#">11</a>
<a href="#">Lock Assembly.....</a>	<a href="#">12</a>
<a href="#">Power Control Board.....</a>	<a href="#">13</a>
<a href="#">Resistor Assembly.....</a>	<a href="#">14</a>
<a href="#">Seat Assembly.....</a>	<a href="#">15</a>
<a href="#">Seat Assembly - Bottom.....</a>	<a href="#">16</a>
<a href="#">Seat Frame Assembly.....</a>	<a href="#">17</a>
<a href="#">Seat Pads and Accessory Tray.....</a>	<a href="#">18</a>
<a href="#">Shrouds, End Cap, and Pedals.....</a>	<a href="#">19</a>
<a href="#">Wheel and Leveler.....</a>	<a href="#">20</a>

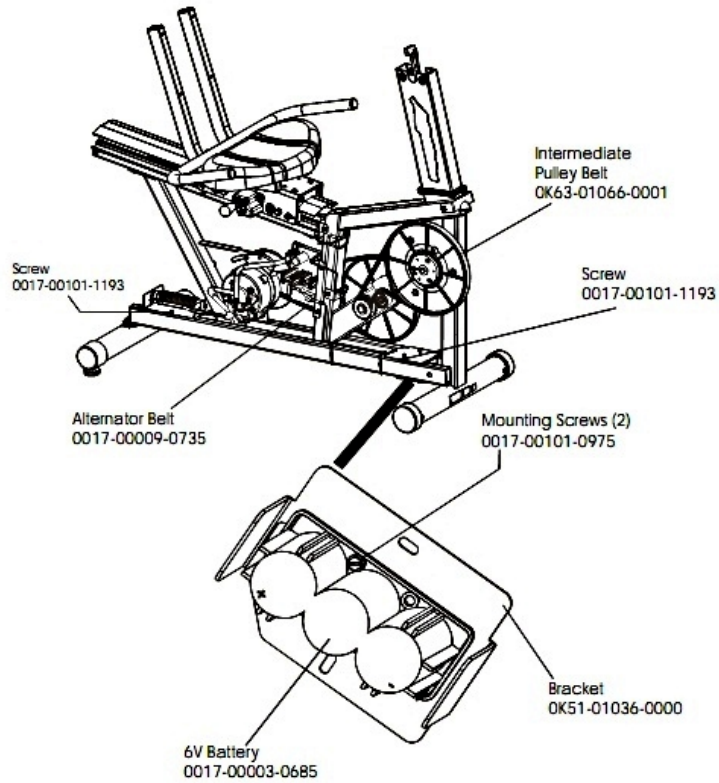
## Alternator with Pulley Assembly

Alternator w/Pulley Assembly AK63-00093-0000 includes all parts shown.



Ref #	Part Number	Qty	Description
-	0017-00103-0117	1	Hardware: Locking Nut 1/2" ID
-	0017-00104-0044	2	Hardware: Washer 0.75" OD
-	0017-00009-0841	1	Alternator
-	OK61-01027-0000	1	Flywheel: 6.75" D
-	0017-00009-0859	1	Brushes
-	AK63-00093-0000	1	Alternator w/Pulley
-	0017-00101-0956	1	Hardware: Bolt 2"

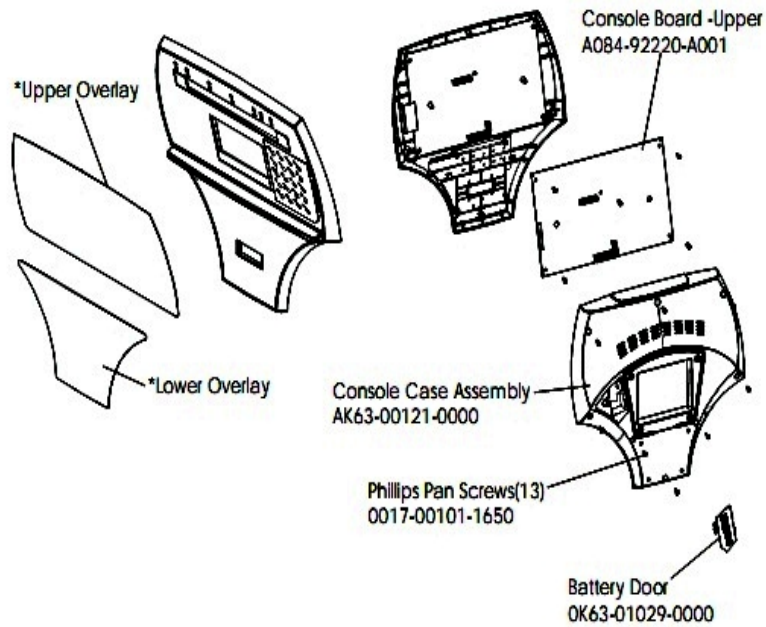
**Belts and 6V Battery**



Ref #	Part Number	Qty	Description
-	0017-00101-0975	2	Hardware: Mounting Bolt 0.375"
-	0017-00101-1193	2	Hardware: Screw 0.375"
-	0017-00003-0685	1	6V Battery
-	0017-00009-1324	1	Belt: Poly-V; 49.00 IN
-	OK51-01036-0000	1	Battery Bracket
-	GK63-00002-0079	1	Kit: Upright/Rec Belt And Pulley



## Console Overlay Bezel Assembly

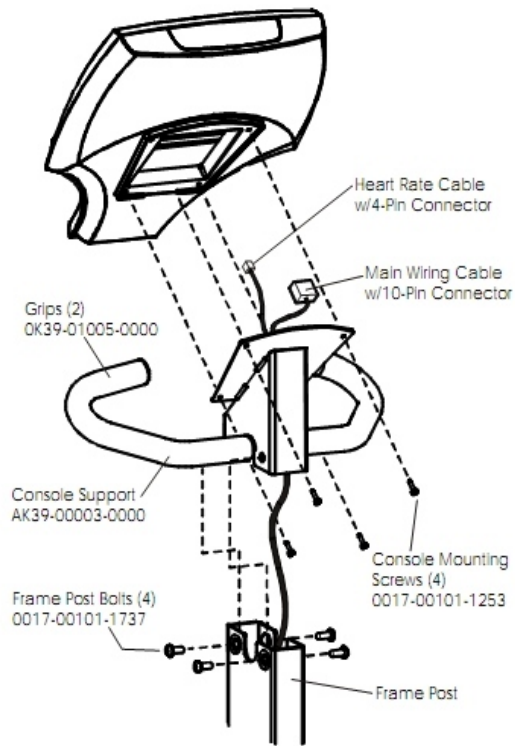


\*Included in "Overlay Bezel".  
Console Assembly AK39-57-XXX includes all parts above.

Language	Part Nos.	
	Console Assembly	Overlay Bezel
Eng Met	AK39-00057-0001	AK63-00079-0001

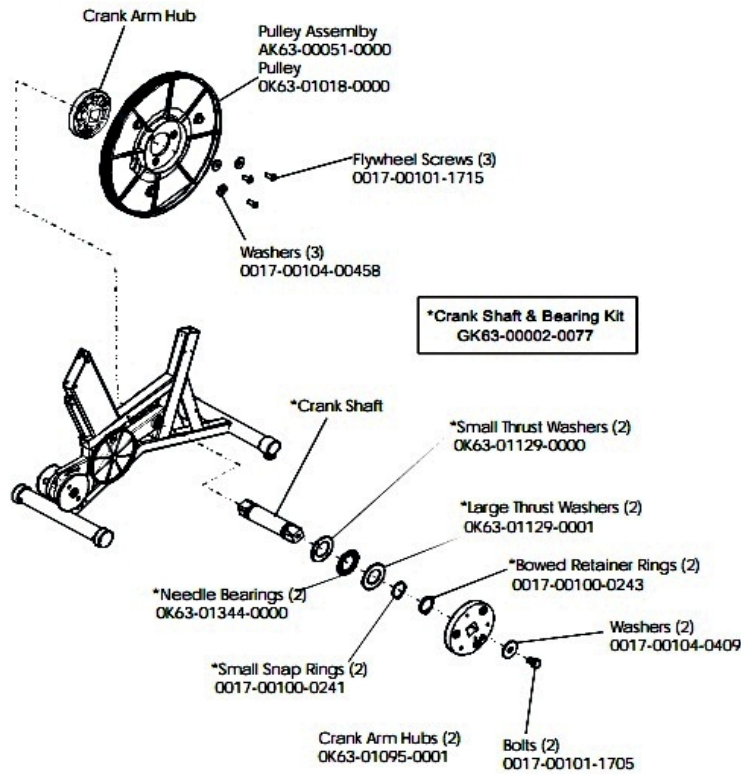
Ref #	Part Number	Qty	Description
-	AK39-00057-0003	1	Console Assembly German Metric
-	0017-00101-1650	13	Hardware: Phillips Pan Screw 0.375"
-	OK63-01029-0000	1	Battery Door
-	AK63-00121-0000	1	Console Case Assembly
-	A084-92220-A001	1	Console Board - Upper
-	AK63-00079-0003	1	Overlay Bezel German Metric

## Console Support Assembly



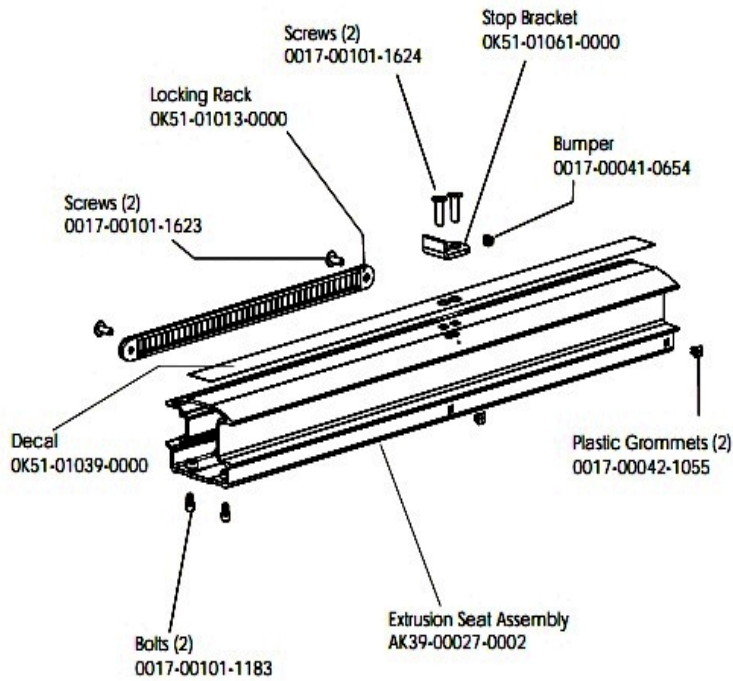
Ref #	Part Number	Qty	Description
-	0017-00101-1253	4	Hardware: Screw
-	AK39-00003-0000	1	Console Support
-	OK39-01005-0000	2	Grip
-	0017-00101-1737	4	Hardware: Frame Post Bolt

# Crank Shaft and Bearing Assembly



Ref #	Part Number	Qty	Description
-	OK63-01018-0000	1	Crank Pulley
-	0017-00104-0458	3	Hardware: Flat Washer 0.75" OD
-	OK63-01344-0000	2	Hardware: Needle Bearing
-	0017-00101-1705	2	Hardware: Bolt 0.5"
-	AK63-00051-0000	1	Pulley Assembly
-	OK63-01129-0001	2	Hardware: Large Thrust Washer
-	OK63-01129-0000	2	Hardware: Small Thrust Washer
-	OK63-01095-0001	2	Crank Arm Hub
-	0017-00100-0241	2	Hardware: Small Snap Ring .984"
-	GK63-00002-0077	1	Crankshaft and Bearing Kit
-	0017-00104-0409	2	Hardware: Washer 1.125" OD
-	0017-00101-1715	3	Hardware: TORX Cap Screw 0.625"
-	0017-00100-0243	2	Hardware: Bowed Retaining Ring .984"

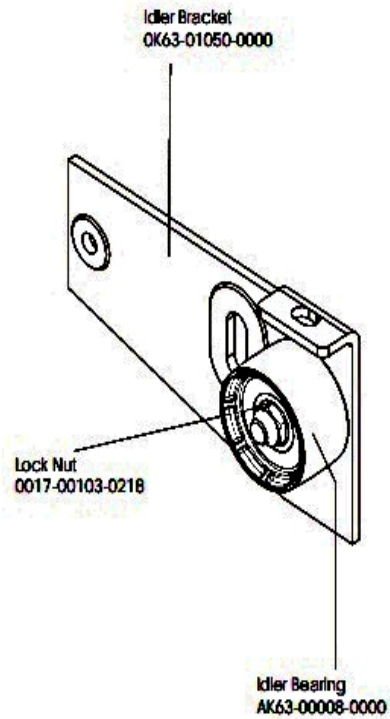
## Extrusion Assembly



Ref #	Part Number	Qty	Description
-	0017-00042-1055	2	Hardware: Plastic Grommet
-	0017-00101-1623	2	Hardware: Screw
-	0017-00101-1183	2	Hardware: Bolt 0.75"
-	OK51-01039-0000	1	Decal
-	AK39-00027-0002	1	Extrusion Seat Assembly
-	OK51-01061-0000	1	Front Stop Bracket
-	0017-00041-0654	1	Bumper
-	OK51-01013-0000	1	Locking Rack
-	0017-00101-1624	2	Hardware: Screw

## Idler Bracket Assembly

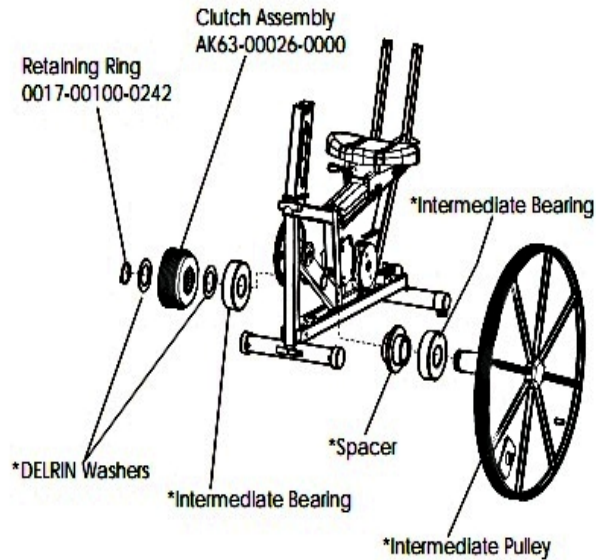
Idler Bracket Assembly AK63-00021-0000 includes all parts shown.



Ref #	Part Number	Qty	Description
-	AK63-00021-0000	1	Idler Bracket Assembly
-	OK63-01050-0000	1	Idler Bracket
-	AK63-00008-0000	1	Idler w/Bearing
-	0017-00103-0218	1	Hardware: Lock Nut 3/8" ID

## Intermediate Shaft and Bearing Assembly

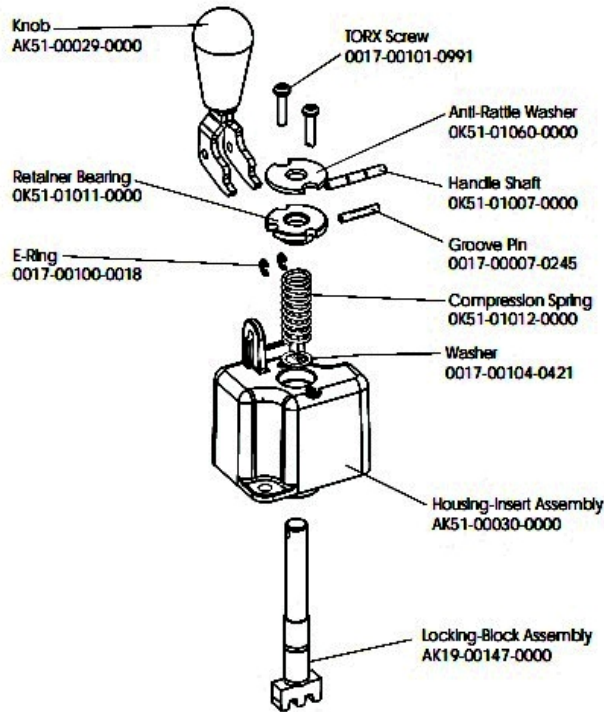
Intermediate Shaft and Bearing Assembly Kit GK63-00002-0007 includes all parts above.  
\*Items with asterisks are not available separately.



Ref #	Part Number	Qty	Description
-	GK63-00002-0079	1	Kit: Upright/Rec Belt And Pulley
-	GK63-00002-0007	1	Intermediate Shaft and Bearing Assembly
-	0017-00100-0242	1	Hardware: Retaining Ring .781"

# Lock Assembly

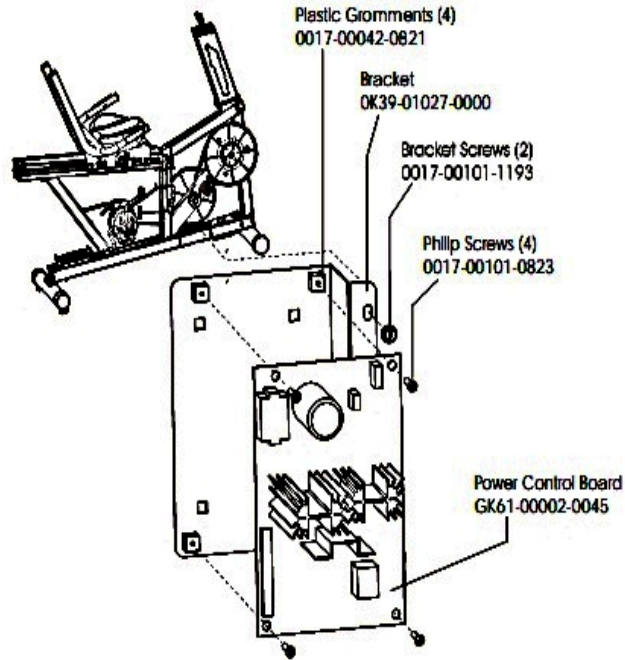
Lock Assembly AK51-00053-0000 includes all parts shown.



Ref #	Part Number	Qty	Description
-	0017-00007-0245	1	Hardware: Groove Pin 5/32" D 1.75" L
-	AK19-00147-0000	1	Locking-Block Assembly
-	AK51-00030-0000	1	Housing-Insert Assembly
-	OK51-01011-0000	1	Hardware: Retainer Bearing
-	0017-00104-0421	1	Hardware: Flat Washer 0.64" OD
-	0017-00100-0018	1	Hardware: E-Ring .188"
-	AK51-00029-0000	1	Knob
-	SK51-00053-0000	1	Lock Assembly
-	0017-00101-0991	1	Hardware: Phillips Pan Screw 0.75"
-	OK51-01007-0000	1	Handle Shaft
-	OK51-01012-0000	1	Compression Spring
-	OK51-01060-0000	1	Anti-Rattle Washer

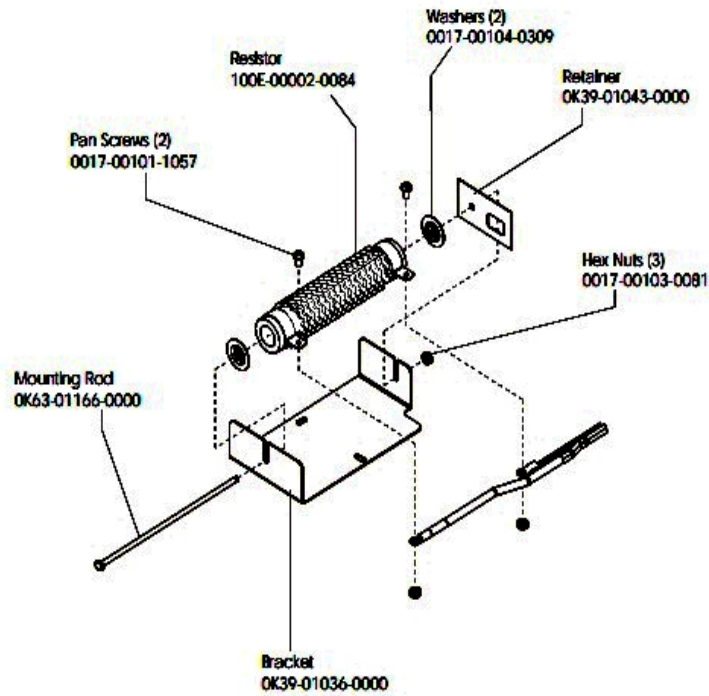
## Power Control Board

Power Control Board Assembly AK39-00022-0001 includes all parts shown.



Ref #	Part Number	Qty	Description
-	0017-00042-0821	4	Hardware: Plastic Grommet
-	GK61-00002-0045	1	Power Control Board
-	OK39-01027-0000	1	PCB Bracket
-	0017-00101-0823	4	Hardware: Screw 0.75"
-	AK39-00022-0001	1	PCB Assembly

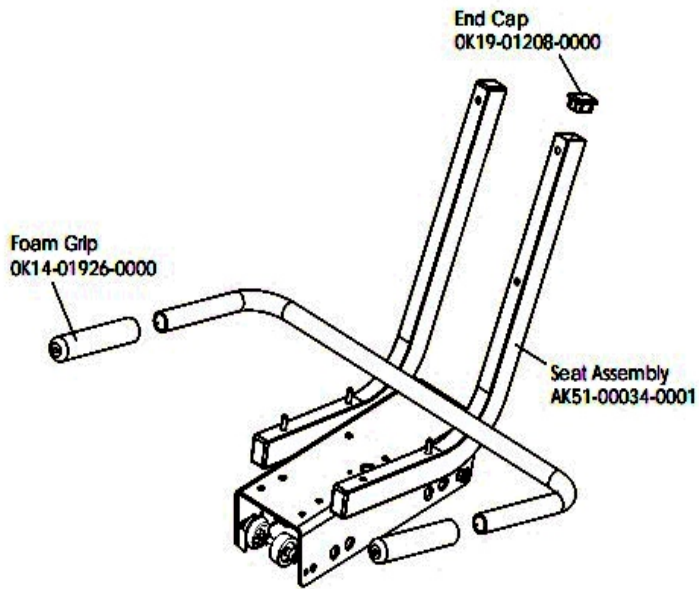
## Resistor Assembly



Ref #	Part Number	Qty	Description
-	OK39-01036-0000	1	Resistor Bracket
-	0017-00101-1057	2	Hardware: Pan Screw 0.5"
-	OK63-01166-0000	1	Resistor Mounting Rod
-	0017-00104-0309	2	Hardware: Washer 1.12" OD
-	100E-00002-0084	1	Resistor
-	0017-00103-0081	3	Hardware: Hex Nut ID
-	OK39-01043-0000	1	Resistor Retainer

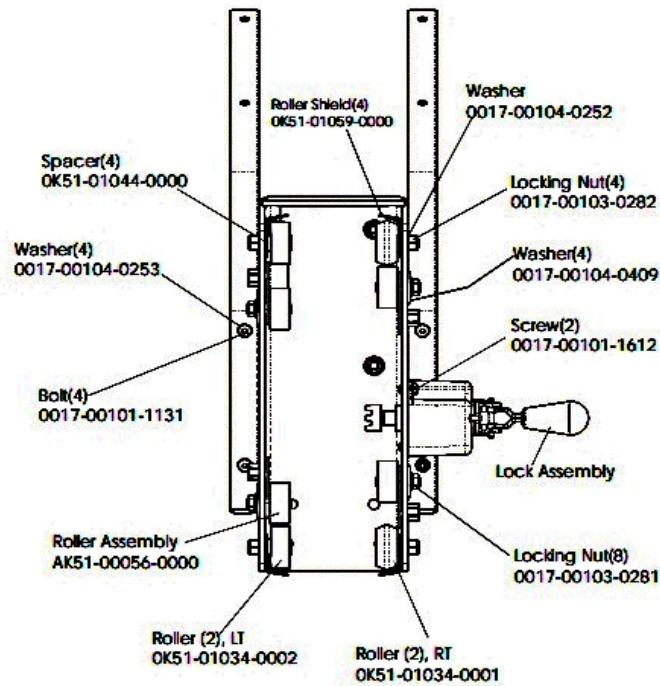
## Seat Assembly

---



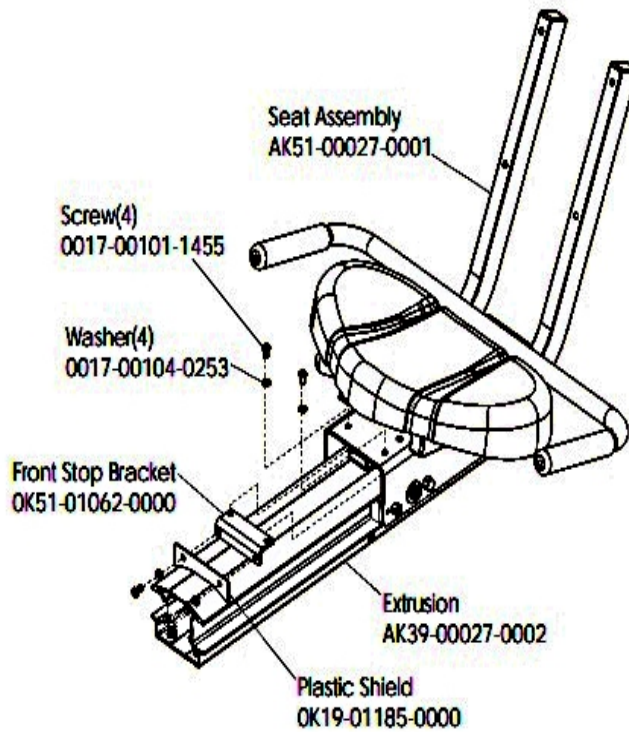
Ref #	Part Number	Qty	Description
-	OK14-01926-0000	2	Foam Grip
-	AK51-00034-0001	1	Seat Assembly
-	OK19-01208-0000	4	End Cap

**Seat Assembly - Bottom**



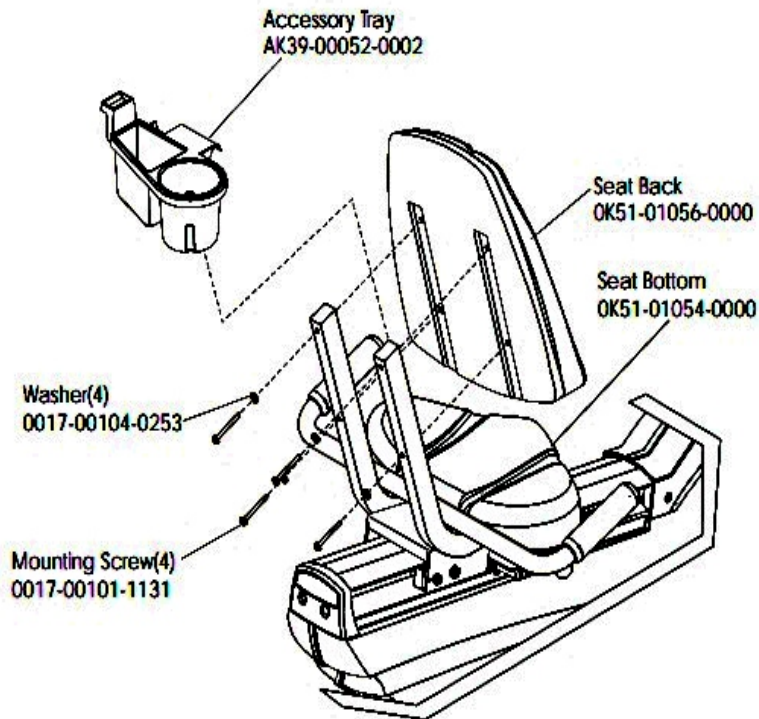
Ref #	Part Number	Qty	Description
-	0017-00103-0281	8	Hardware: Locking Nut
-	AK51-00056-0000	1	Roller Assembly
-	0017-00101-1612	2	Hardware: Phillips Screw 0.5"
-	OK51-01034-0002	2	Seat Roller: Left
-	0017-00104-0253	4	Hardware: Washer
-	0017-00101-1131	4	Hardware: Bolt
-	0017-00104-0252	1	Hardware: Washer
-	0017-00104-0409	4	Hardware: Washer 1.125" OD
-	0017-00103-0282	4	Hardware: Locking Nut 5/16" ID
-	OK51-01044-0000	4	Roller Spacer
-	OK51-01059-0000	4	Roller Guard
-	OK51-01034-0001	2	Seat Roller: Right

## Seat Frame Assembly



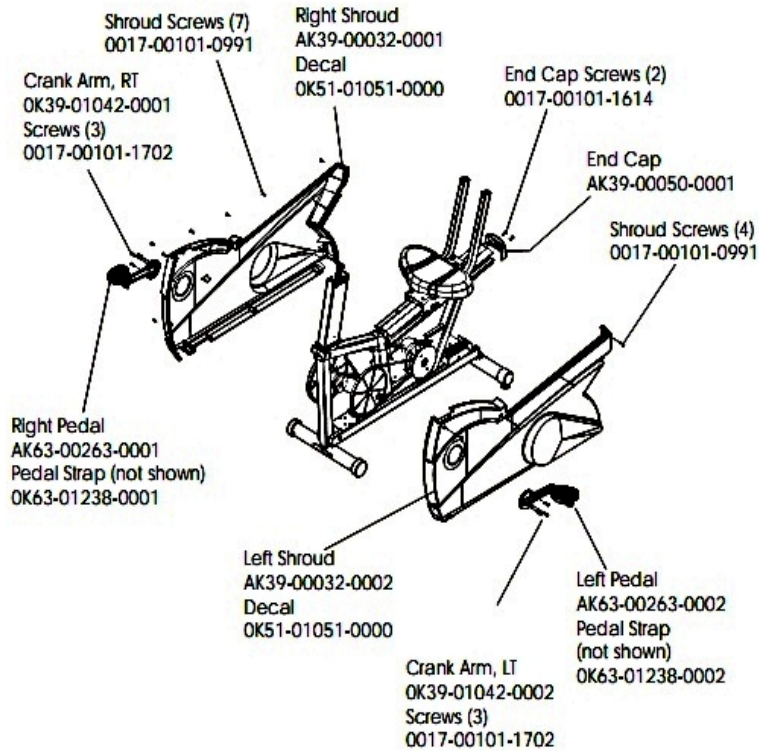
Ref #	Part Number	Qty	Description
-	0017-00104-0253	4	Hardware: Washer
-	0017-00101-1455	4	Hardware: Screw
-	OK19-01185-0000	1	Plastic Shield
-	AK51-00027-0001	1	Seat Assembly
-	OK51-01062-0000	1	Front Stop Bracket
-	AK39-00027-0002	1	Extrusion Seat Assembly

## Seat Pads and Accessory Tray



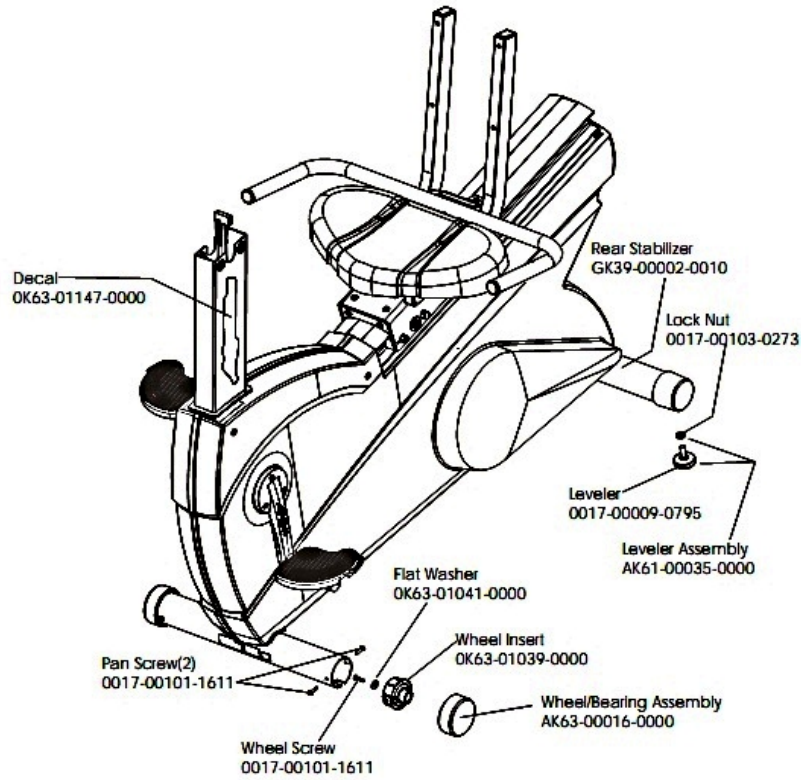
Ref #	Part Number	Qty	Description
-	OK51-01054-0000	1	Seat Bottom
-	0017-00101-1131	4	Hardware: Bolt
-	AK39-00052-0002	1	Accessory Tray
-	0017-00104-0253	4	Hardware: Washer
-	OK51-01056-0000	1	Seat Back

## Shrouds, End Cap, and Pedals



Ref #	Part Number	Qty	Description
-	OK63-01238-0001	1	Right Pedal Strap
-	0017-00101-1702	6	Hardware: Screw
-	0017-00101-0991	11	Hardware: Phillips Pan Screw 0.75"
-	OK39-01042-0008	1	Crank Arm: Left
-	OK39-01042-0007	1	Crank Arm: Right
-	0017-00101-1614	2	Hardware: Screw 0.625"
-	AK39-00032-0001	1	Shroud with Decal - Right
-	OK63-01238-0002	1	Left Pedal Strap
-	AK63-00263-0002	1	Left Pedal
-	AK39-00050-0001	1	End Cap
-	AK39-00032-0002	1	Shroud with Decal - Left
-	OK51-01051-0000	2	Decal
-	AK63-00263-0001	1	Right Pedal

Wheel and Leveler



Ref #	Part Number	Qty	Description
-	0017-00101-1611	4	Hardware: Insert Screw
-	0017-00009-0795	2	Leg Leveler
-	OK63-01041-0000	2	Hardware: Flat Washer
-	GK39-00002-0010	1	Rear Stabilizer
-	0017-00103-0273	2	Hardware: Hex Nut 3/8" ID
-	AK61-00035-0000	2	Leg Leveler
-	AK63-00016-0000	2	Wheel/Bearing Assembly
-	OK63-01147-0000	1	Decal
-	OK63-01039-0000	2	Wheel Insert

