

LC-9500RHR recumbant Exercise Bike

LC95R-0007-29

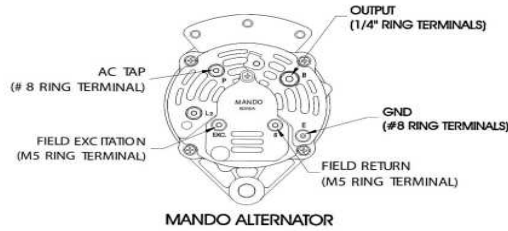
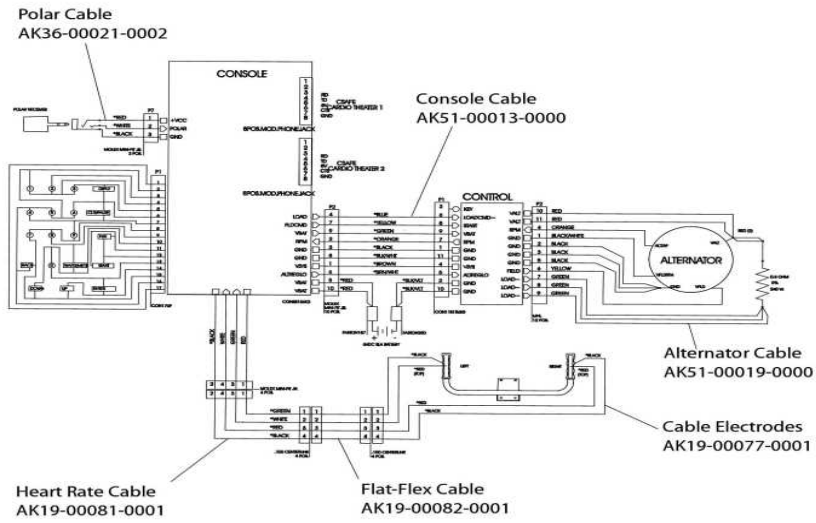
Parts Manual

1/5/2019 14:55:34 PM

Table of Contents

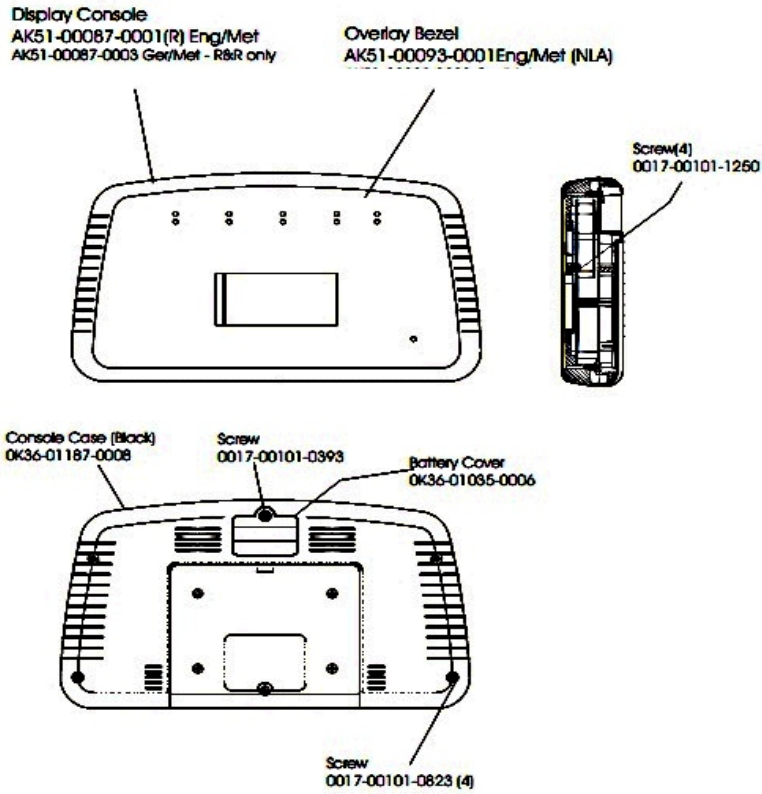
Cables.....	3
Console Assembly.....	4
Console Post with Decal.....	5
Crank Arm Assembly.....	6
Extrusion Tube.....	7
Final Frame Assembly Left Side.....	8
Final Frame Assembly Right Side.....	9
General Assembly.....	10
Idler Pulley Assembly.....	11
Pcb Assembly.....	12
Pulley Clutch Assembly.....	13
Seat Assembly.....	14
Seat Lock Assembly.....	16
Shrouds.....	17
Stabilizer Bar Assembly.....	18

Cables



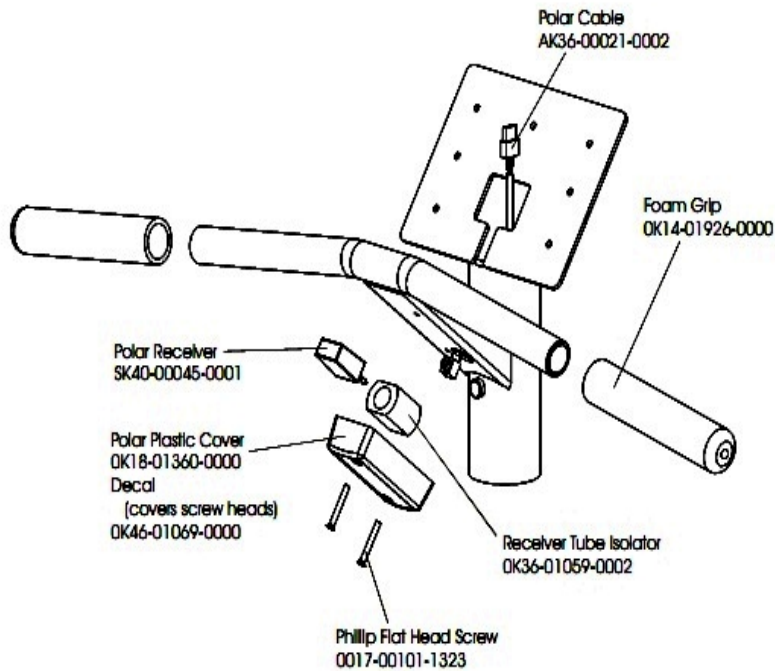
Ref #	Part Number	Qty	Description
-	AK51-00019-0000	1	Alternator Cable
-	AK36-00021-0002	1	Polar Cable Assembly
-	AK19-00077-0001	1	Cable Electrode

Console Assembly



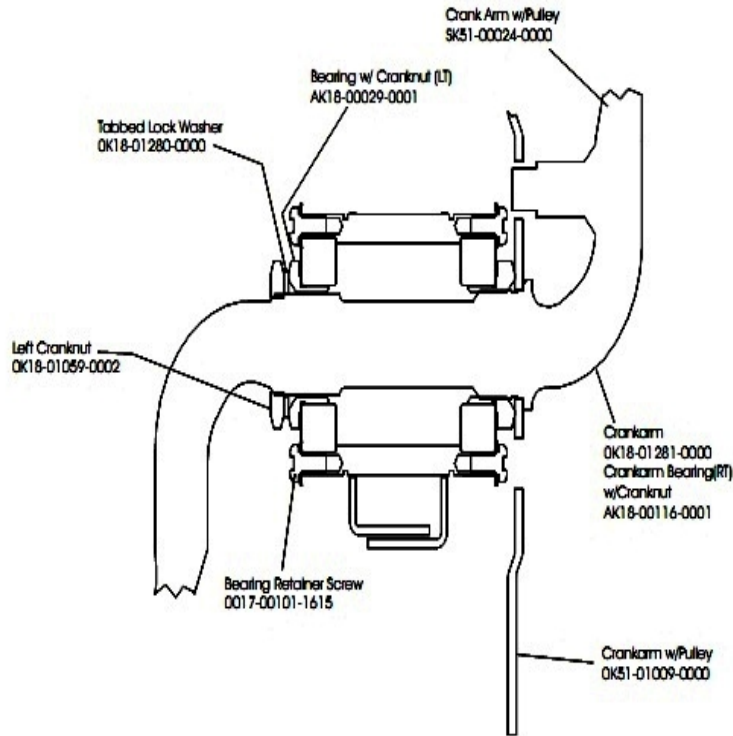
Ref #	Part Number	Qty	Description
-	0017-00101-1250	4	Hardware: Screw
-	0K36-01187-0008	1	Console Case (Black)
-	0K36-01035-0006	1	Battery Cover
-	0017-00101-0823	4	Hardware: Screw 0.75"
-	0017-00101-0393	1	Hardware: Screw

Console Post with Decal



Ref #	Part Number	Qty	Description
-	OK46-01069-0000	1	Decal
-	OK18-01360-0000	1	Plastic Cover
-	0017-00101-1323	1	Hardware: Phillip Flat Head Screw
-	SK51-00022-0000	1	Console Post Assembly
-	OK36-01059-0002	1	Insulator Receiver Tube
-	SK40-00045-0001	1	Polar HR Kit
-	OK14-01926-0000	2	Foam Grip
-	AK36-00021-0002	1	Polar Cable Assembly

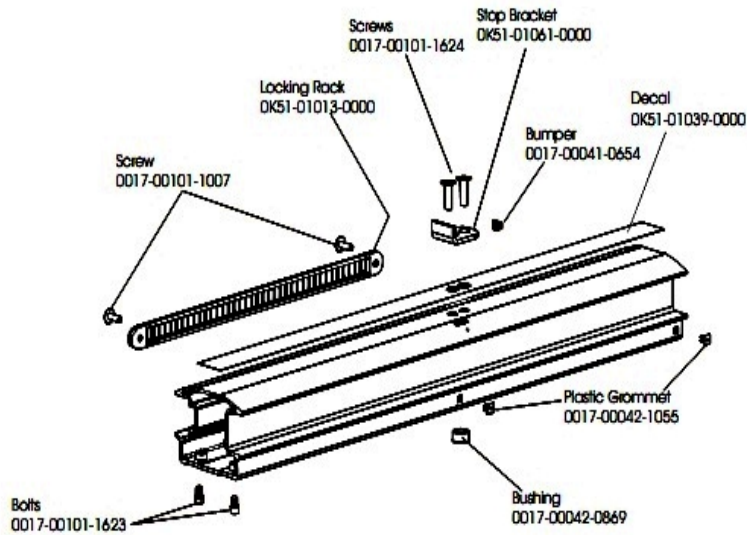
Crank Arm Assembly



NOTE: Order Crank Bearing Kit GK51-00002-0001

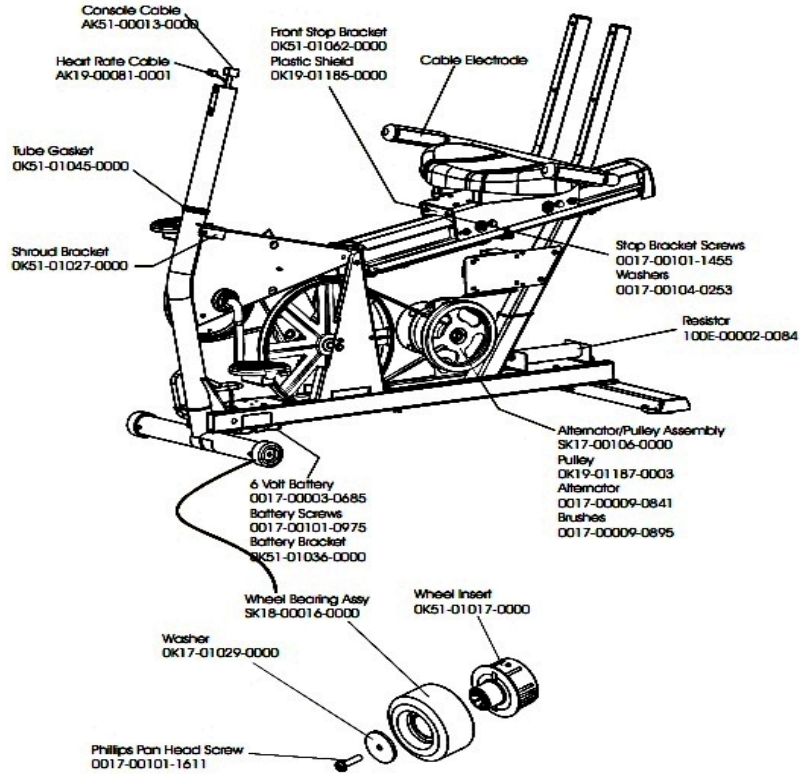
Ref #	Part Number	Qty	Description
-	SK51-00024-0000	1	Crank Arm with Pulley
-	OK18-01059-0002	1	Hardware: Locknut
-	OK51-01009-0000	1	Crank Arm Pulley
-	OK18-01281-0000	1	Crankarm
-	AK18-00029-0001	1	Hardware: Bearing Nut - Left
-	GK51-00002-0001	1	Bearing Kit
-	0017-00101-1615	1	Hardware: Bearing Retainer Screw
-	OK18-01280-0000	1	Hardware: Tabbed Lock Washer
-	AK18-00116-0001	1	Hardware: Bearing Nut - Right

Extrusion Tube



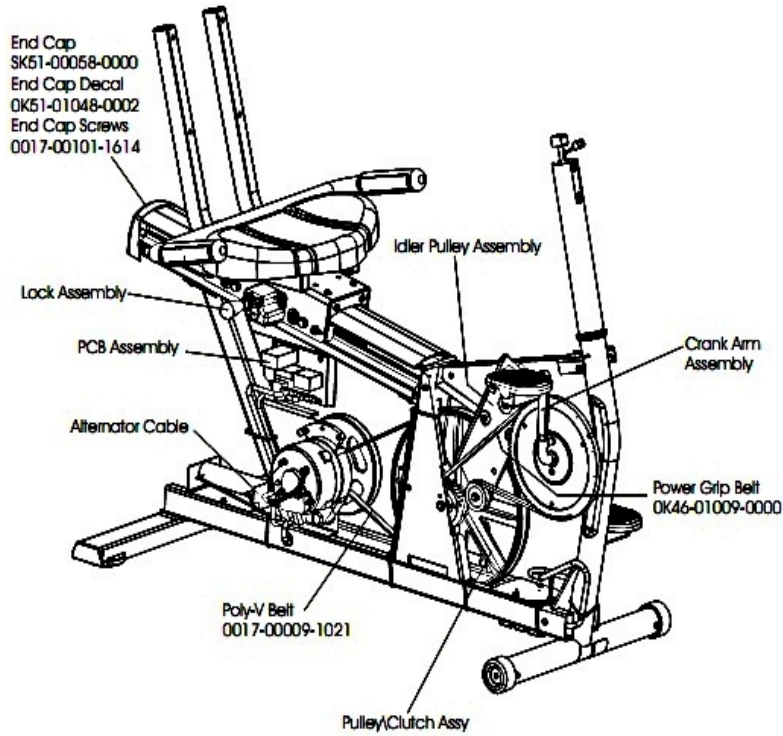
Ref #	Part Number	Qty	Description
-	0017-00041-0654	1	Bumper
-	0017-00101-1007	2	Hardware: Screw
-	0017-00101-1624	2	Hardware: Screw
-	0K51-01013-0000	1	Locking Rack
-	0K51-01061-0000	1	Front Stop Bracket
-	0017-00042-0869	1	Bushing
-	0017-00101-1623	1	Hardware: Screw
-	SK51-00014-0000	1	Extruded Tube Assembly
-	0017-00042-1055	2	Hardware: Plastic Grommet
-	0K51-01039-0000	1	Decal

Final Frame Assembly Left Side



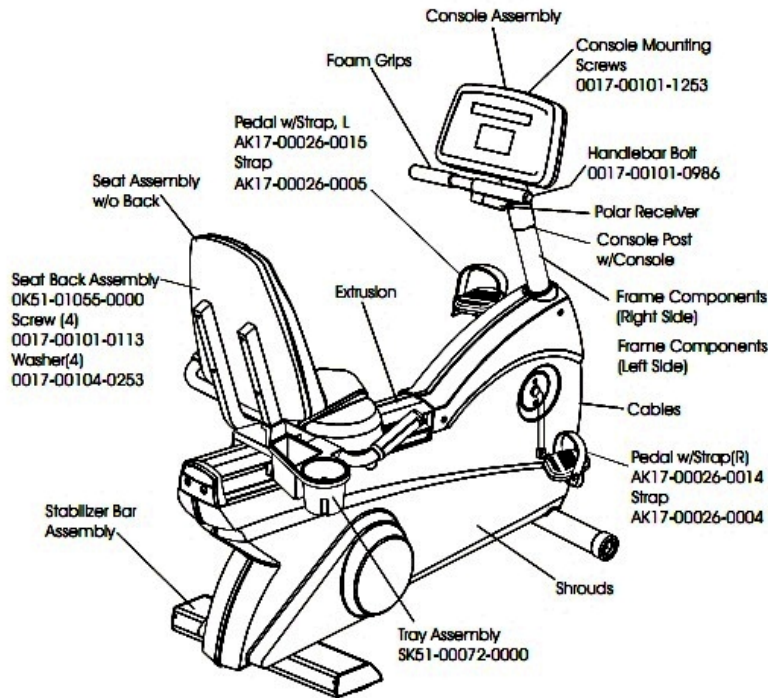
Ref #	Part Number	Qty	Description
-	0017-00101-0975	1	Hardware: Mounting Bolt 0.375"
-	OK19-01187-0003	1	Alternator Pulley
-	AK51-00013-0000	1	Console Cable
-	OK51-01017-0000	2	Wheel Insert
-	0017-00009-0895	1	Alternator Brush Kit
-	100E-00002-0084	1	Resistor
-	0017-00009-0841	1	Alternator
-	0017-00101-1455	1	Hardware: Screw
-	0017-00003-0685	1	6V Battery
-	OK51-01027-0000	1	Shroud Bracket
-	OK51-01045-0000	1	Tube Gasket
-	OK19-01185-0000	1	Plastic Shield
-	OK17-01029-0000	1	Hardware: Washer
-	OK51-01036-0000	1	Battery Bracket
-	AK19-00081-0001	1	Heart Rate Cable
-	SK17-00106-0000	1	Alternator Pulley Assembly
-	0017-00101-1611	1	Hardware: Insert Screw
-	0017-00104-0253	1	Hardware: Washer
-	OK51-01062-0000	1	Front Stop Bracket
-	SK18-00016-0000	2	Wheel Bearing Assembly

Final Frame Assembly Right Side



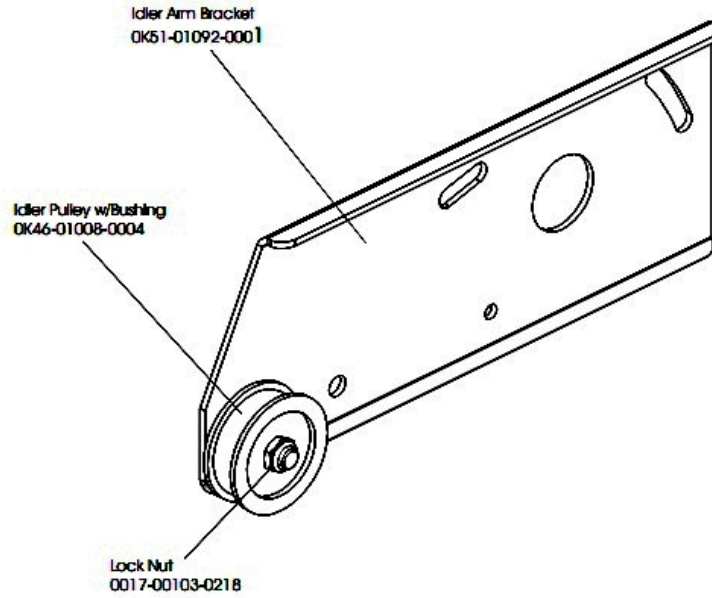
Ref #	Part Number	Qty	Description
-	0017-00009-1021	1	Poly V -Belt
-	SK51-00058-0000	1	End Cap
-	OK51-01048-0002	1	End Cap Decal
-	0017-00101-1614	1	Hardware: Screw 0.625"
-	OK46-01009-0000	1	Power Grip Belt

General Assembly



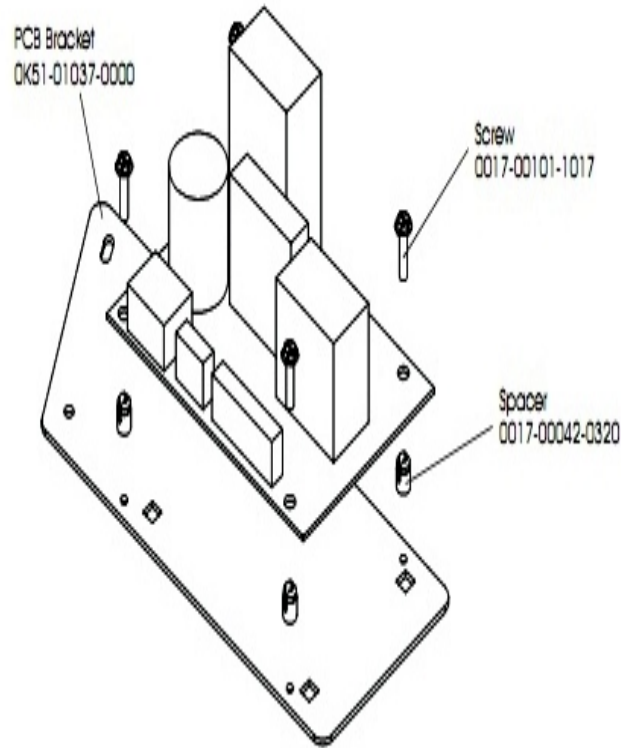
Ref #	Part Number	Qty	Description
-	0017-00101-0986	1	Hardware: Bolt 0.75"
-	0017-00101-1253	1	Hardware: Screw
-	AK17-00026-0004	1	Pedal Strap
-	0017-00101-1131	4	Hardware: Bolt
-	AK17-00026-0014	1	Pedal with Strap (Right)
-	SK51-00072-0000	1	Tray Assembly
-	0K51-01055-0000	1	Seat Back
-	0017-00104-0253	4	Hardware: Washer
-	AK51-00093-0001	1	Overlay Bezel English/Metric
-	AK17-00026-0005	1	Pedal Strap
-	AK51-00087-0001	1	Display Console English/Metric
-	AK17-00026-0015	1	Pedal with Strap (Left)

Idler Pulley Assembly



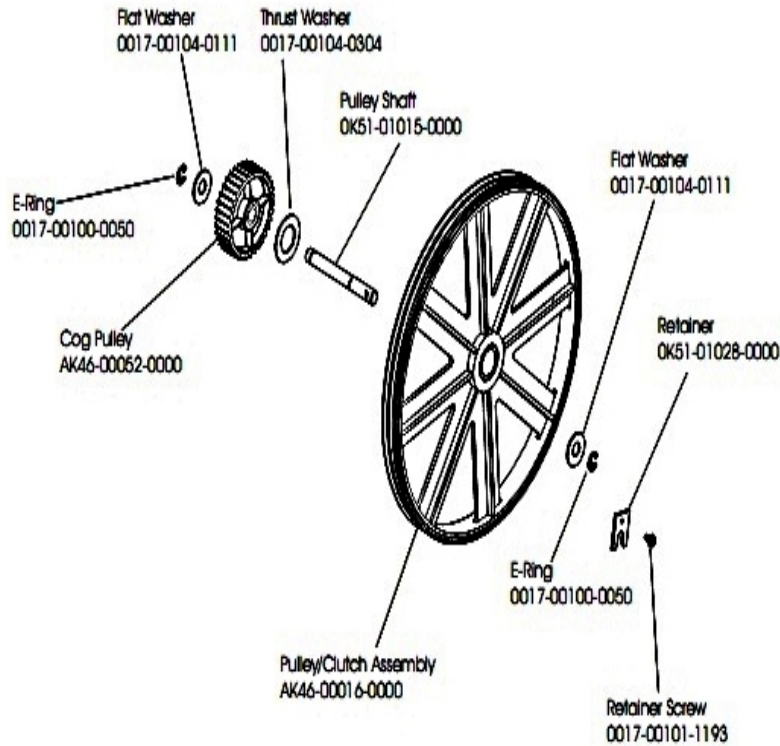
Ref #	Part Number	Qty	Description
-	0017-00103-0218	1	Hardware: Lock Nut 3/8" ID
-	AK51-00089-0001	2	Idler Arm Bracket
-	OK46-01008-0004	1	Idler Pulley with Bushing

Pcb Assembly



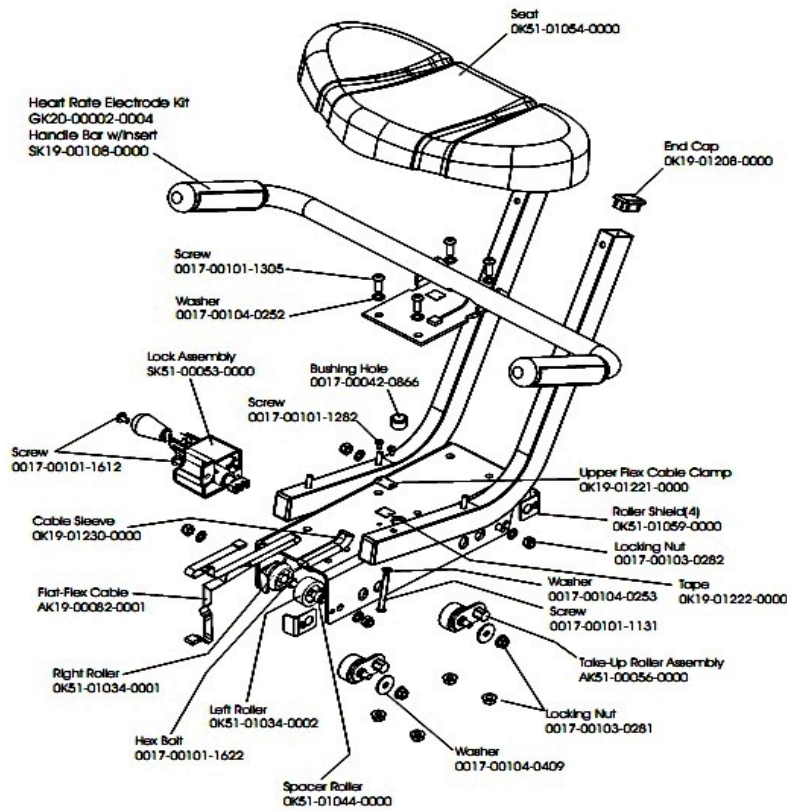
Ref #	Part Number	Qty	Description
-	0017-00042-0320	4	Spacer
-	SK51-00051-0000	1	Alternator Control Board
-	0017-00101-1017	4	Hardware: Leg Cover Screws
-	OK51-01037-0000	1	PCB Bracket

Pulley Clutch Assembly



Ref #	Part Number	Qty	Description
-	AK46-00052-0000	1	Cog Pulley
-	AK46-00016-0000	1	Freewheel Pulley Assembly
-	0017-00101-1193	1	Hardware: Screw 0.375"
-	OK51-01028-0000	1	Pulley Shaft Retainer
-	0017-00104-0111	2	Hardware: Flat Washer
-	0017-00104-0304	1	Hardware: Thrust Washer
-	0017-00100-0050	2	Hardware: E-Ring .5"
-	OK51-01015-0000	1	Pulley Shaft

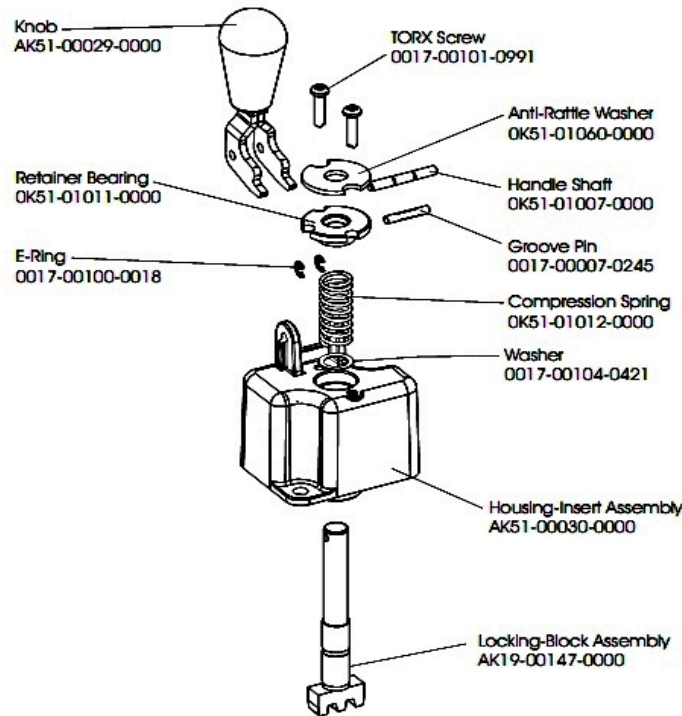
Seat Assembly



Ref #	Part Number	Qty	Description
-	0017-00042-0866	1	Hardware: Hole Bushing - 3/4"
-	0017-00101-1612	1	Hardware: Phillips Screw 0.5"
-	OK51-01059-0000	4	Roller Guard
-	OK51-01044-0000	1	Roller Spacer
-	OK19-01208-0000	4	End Cap
-	0017-00104-0409	1	Hardware: Washer 1.125" OD
-	0017-00104-0252	1	Hardware: Washer
-	OK51-01054-0000	1	Seat Bottom
-	OK19-01222-0000	1	Double-sided Foam Tape
-	0017-00104-0253	1	Hardware: Washer
-	0017-00103-0282	1	Hardware: Locking Nut 5/16" ID
-	0017-00101-1282	1	Hardware: TORX Screw 0.375"
-	SK51-00053-0000	1	Lock Assembly
-	OK51-01034-0001	1	Seat Roller: Right
-	0017-00103-0281	1	Hardware: Locking Nut
-	0017-00101-1305	1	Hardware: Screw
-	OK51-01034-0002	1	Seat Roller: Left
-	OK19-01230-0000	1	Cable Sleeve
-	AK51-00056-0000	1	Roller Assembly
-	SK51-00011-0000	1	Seat Assembly
-	OK19-01221-0000	1	Hardware: Upper Flex Cable Clamp
-	GK20-00002-0004	1	Heart Rate Electrode Kit

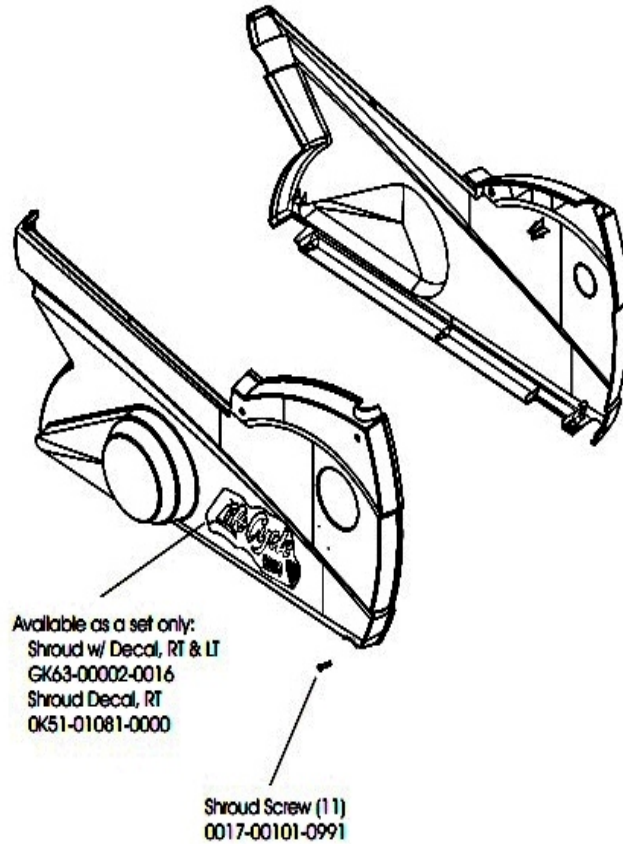
Ref #	Part Number	Qty	Description
-	SK19-00108-0000	1	Handle Bar with Insert
-	AK19-00082-0001	1	Flat Flex Cable
-	0017-00101-1131	1	Hardware: Bolt
-	0017-00101-1622	1	Hardware: Hex Bolt

Seat Lock Assembly



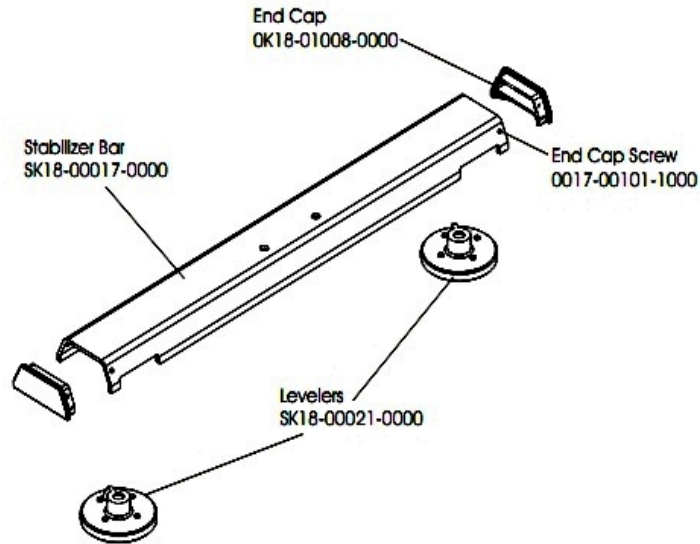
Ref #	Part Number	Qty	Description
-	OK51-01011-0000	1	Hardware: Retainer Bearing
-	AK19-00147-0000	1	Locking-Block Assembly
-	OK51-01012-0000	1	Compression Spring
-	OK51-01060-0000	1	Anti-Rattle Washer
-	0017-00007-0245	1	Hardware: Groove Pin 5/32" D 1.75" L
-	0017-00100-0018	1	Hardware: E-Ring .188"
-	0017-00104-0421	1	Hardware: Flat Washer 0.64" OD
-	OK51-01007-0000	1	Handle Shaft
-	0017-00101-0991	1	Hardware: Phillips Pan Screw 0.75"
-	SK51-00053-0000	1	Lock Assembly
-	AK51-00030-0000	1	Housing-Insert Assembly
-	AK51-00029-0000	1	Knob

Shrouds



Ref #	Part Number	Qty	Description
-	GK63-00002-0016	1	Shroud with Decal
-	0017-00101-0991	11	Hardware: Phillips Pan Screw 0.75"
-	OK51-01081-0000	1	Shroud Decal RT

Stabilizer Bar Assembly



Ref #	Part Number	Qty	Description
-	0017-00101-1000	2	Hardware: End Cap Screw
-	OK18-01008-0000	2	End Cap
-	SK18-00017-0000	1	Stabilizer Bar
-	SK18-00021-0000	2	Leveler

