

LC-9500RHR Recumbent Exercise Bike

LC95R-0100-26

Parts Manual

1/5/2019 14:55:34 PM

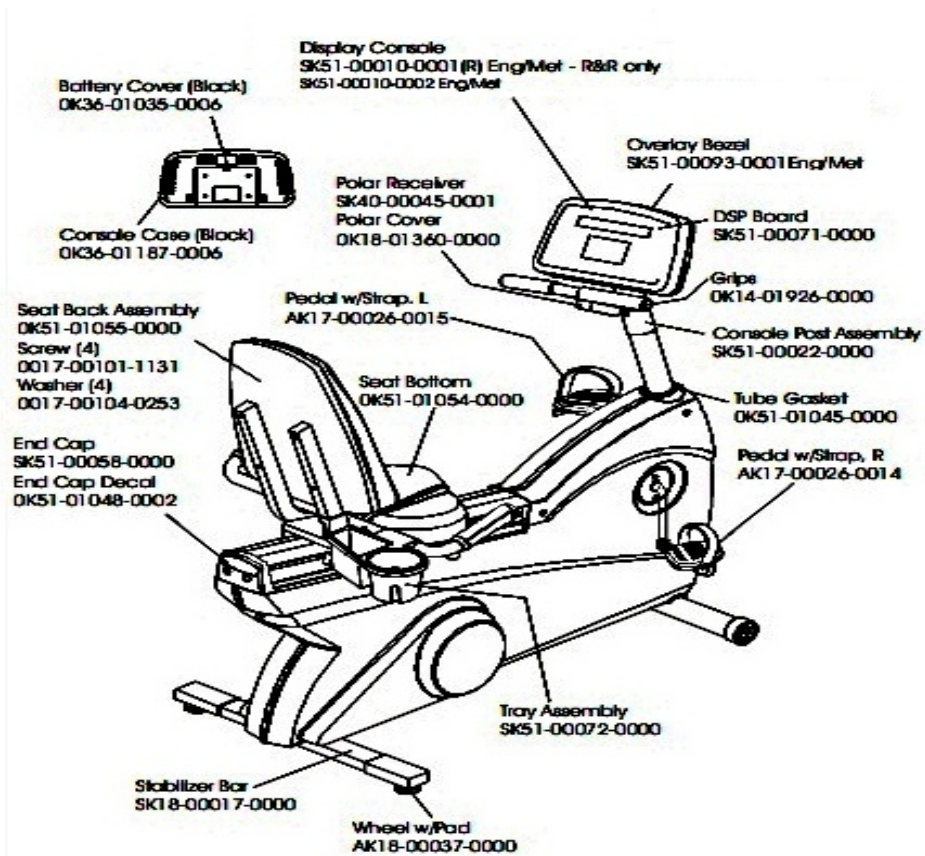


LifeFitness
WHAT WE LIVE FOR

Table of Contents

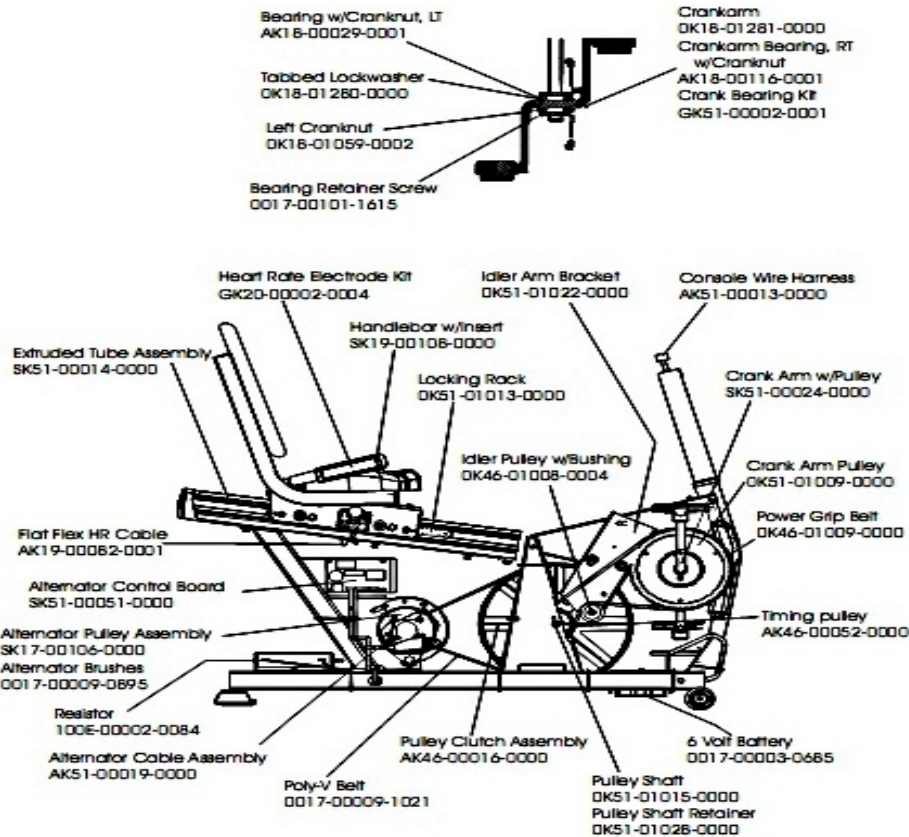
[Component Assembly 1](#).....3
[Component Assembly 2](#).....4
[Component Assembly 3](#).....6

Component Assembly 1



Ref #	Part Number	Qty	Description
-	0017-00101-1131	4	Hardware: Bolt
-	SK51-00072-0000	1	Tray Assembly
-	SK40-00045-0001	1	Polar HR Kit
-	SK51-00093-0001	1	Overlay Bezel English/Metric
-	AK17-00026-0014	1	Pedal with Strap (Right)
-	AK17-00026-0015	1	Pedal with Strap (Left)
-	OK18-01360-0000	1	Plastic Cover
-	SK18-00017-0000	1	Stabilizer Bar
-	OK36-01187-0006	1	Console Case
-	0017-00104-0253	4	Hardware: Washer
-	OK14-01926-0000	2	Foam Grip
-	OK36-01035-0006	1	Battery Cover
-	SK51-00022-0000	1	Console Post Assembly
-	OK51-01055-0000	1	Seat Back
-	OK51-01048-0002	1	End Cap Decal
-	OK51-01054-0000	1	Seat Bottom
-	AK18-00037-0000	2	Wheel with Patch
-	AK51-00087-0001	1	Display Console English/Metric
-	SK51-00058-0000	1	End Cap
-	SK51-00071-0000	1	DSP Board
-	OK51-01045-0000	1	Tube Gasket

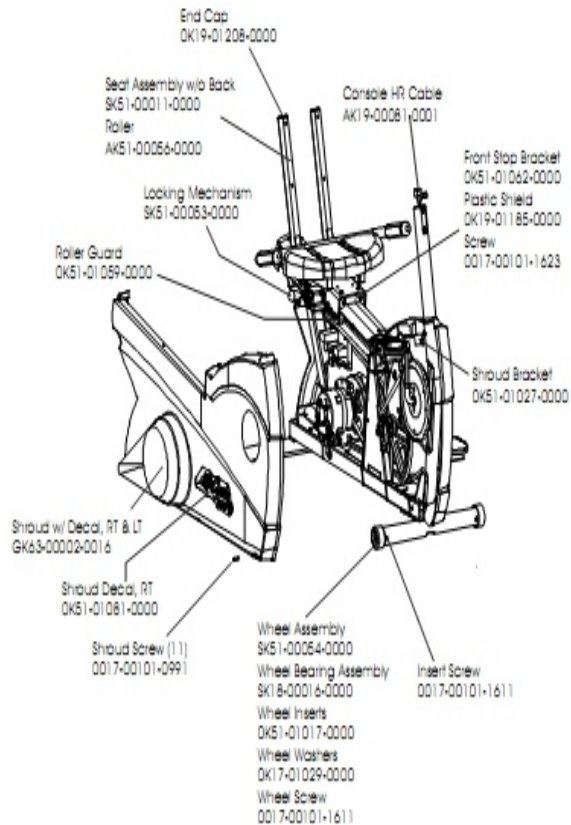
Component Assembly 2



Ref #	Part Number	Qty	Description
-	AK19-00082-0001	1	Flat Flex Cable
-	OK18-01280-0000	1	Hardware: Tabbed Lock Washer
-	OK46-01009-0000	1	Power Grip Belt
-	OK51-01013-0000	1	Locking Rack
-	AK51-00013-0000	1	Console Cable
-	GK20-00002-0004	1	Heart Rate Electrode Kit
-	SK19-00108-0000	1	Handle Bar with Insert
-	0017-00003-0685	1	6V Battery
-	0017-00009-1021	1	Poly V -Belt
-	AK18-00116-0001	1	Hardware: Bearing Nut - Right
-	AK46-00052-0000	1	Cog Pulley
-	GK51-00002-0001	1	Bearing Kit
-	AK46-00016-0000	1	Freewheel Pulley Assembly
-	OK18-01281-0000	1	Crankarm
-	OK46-01008-0004	1	Idler Pulley with Bushing
-	OK51-01009-0000	1	Crank Arm Pulley
-	OK51-01028-0000	1	Pulley Shaft Retainer
-	AK18-00029-0001	1	Hardware: Bearing Nut - Left
-	AK51-00019-0000	1	Alternator Cable
-	SK17-00106-0000	1	Alternator Pulley Assembly
-	0017-00009-0895	1	Alternator Brush Kit
-	0017-00101-1615	1	Hardware: Bearing Retainer Screw

Ref #	Part Number	Qty	Description
-	0K51-01015-0000	1	Pulley Shaft
-	AK51-00089-0001	1	Idler Arm Bracket
-	0K18-01059-0002	1	Hardware: Locknut
-	100E-00002-0084	1	Resistor
-	SK51-00014-0000	1	Extruded Tube Assembly
-	SK51-00024-0000	1	Crank Arm with Pulley
-	SK51-00051-0000	1	Alternator Control Board

Component Assembly 3



Ref #	Part Number	Qty	Description
-	OK51-01017-0000	2	Wheel Insert
-	OK51-01059-0000	1	Roller Guard
-	OK51-01081-0000	2	Shroud Decal RT
-	GK63-00002-0016	2	Shroud with Decal
-	SK51-00011-0000	1	Seat Assembly
-	AK51-00056-0000	1	Roller Assembly
-	OK19-01185-0000	1	Plastic Shield
-	OK17-01029-0000	2	Hardware: Washer
-	0017-00101-1611	4	Hardware: Insert Screw
-	0017-00101-1623	2	Hardware: Screw
-	OK51-01062-0000	1	Front Stop Bracket
-	SK18-00016-0000	2	Wheel Bearing Assembly
-	AK19-00081-0001	1	Heart Rate Cable
-	SK51-00053-0000	1	Lock Assembly
-	SK51-00054-0000	2	Wheel Assembly
-	0017-00101-0991	11	Hardware: Phillips Pan Screw 0.75"
-	OK19-01208-0000	2	End Cap
-	OK51-01027-0000	1	Shroud Bracket

