

# LC-9500RHR Recumbent Console

LC95R-0100-31

## Parts Manual

1/5/2019 14:55:35 PM

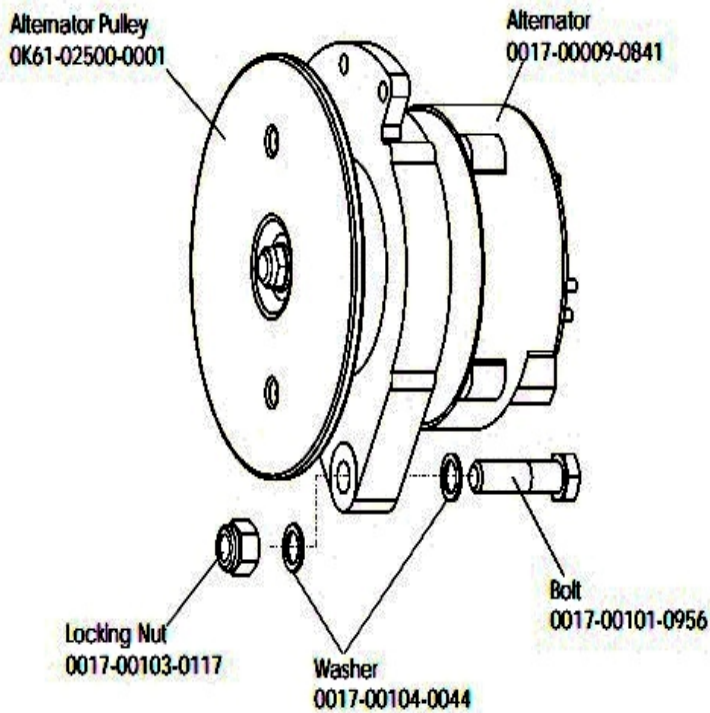


## Table of Contents

---

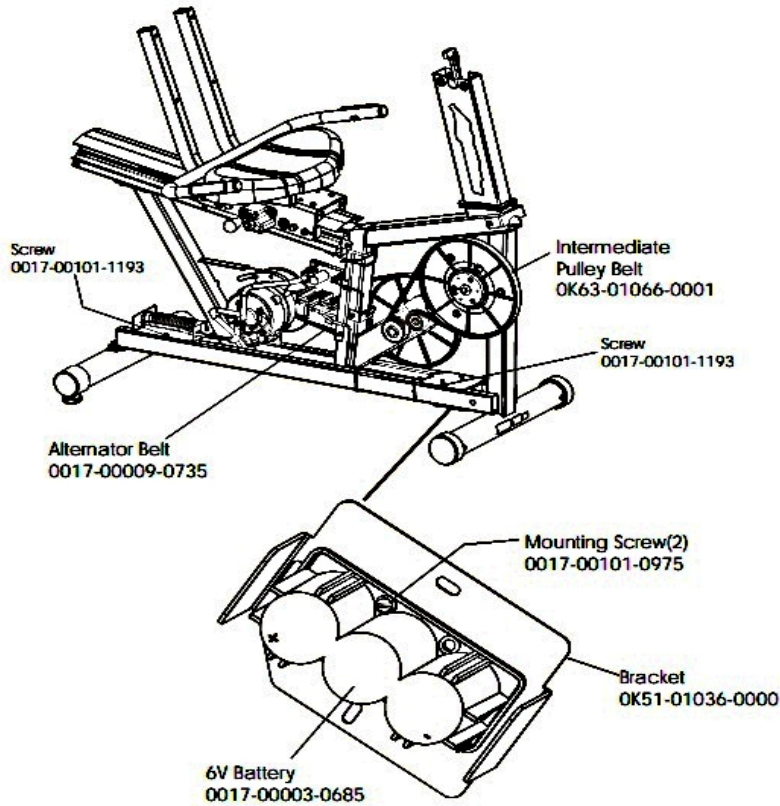
<a href="#">Alternator with Pulley Assembly</a> .....	3
<a href="#">Belts and 6V Battery</a> .....	4
<a href="#">Cable - Block Assembly</a> .....	5
<a href="#">Console Overlay Bezel Assembly</a> .....	6
<a href="#">Console Support Assembly</a> .....	7
<a href="#">Crankshaft and Bearing Assembly</a> .....	8
<a href="#">Extrusion Assembly</a> .....	9
<a href="#">Flat Cable Assembly</a> .....	10
<a href="#">Idler Bracket Assembly</a> .....	11
<a href="#">Intermediate Shaft and Bearing Assembly</a> .....	12
<a href="#">Locking Assembly</a> .....	13
<a href="#">Power Control Board</a> .....	14
<a href="#">Resistor Assembly</a> .....	15
<a href="#">Seat Assembly</a> .....	16
<a href="#">Seat Assembly - Bottom</a> .....	17
<a href="#">Seat Frame Assembly</a> .....	18
<a href="#">Seat Pads and Accessory Tray</a> .....	19
<a href="#">Shrouds, End Caps and Pedals</a> .....	20
<a href="#">Wheel and Leveler</a> .....	21

## Alternator with Pulley Assembly



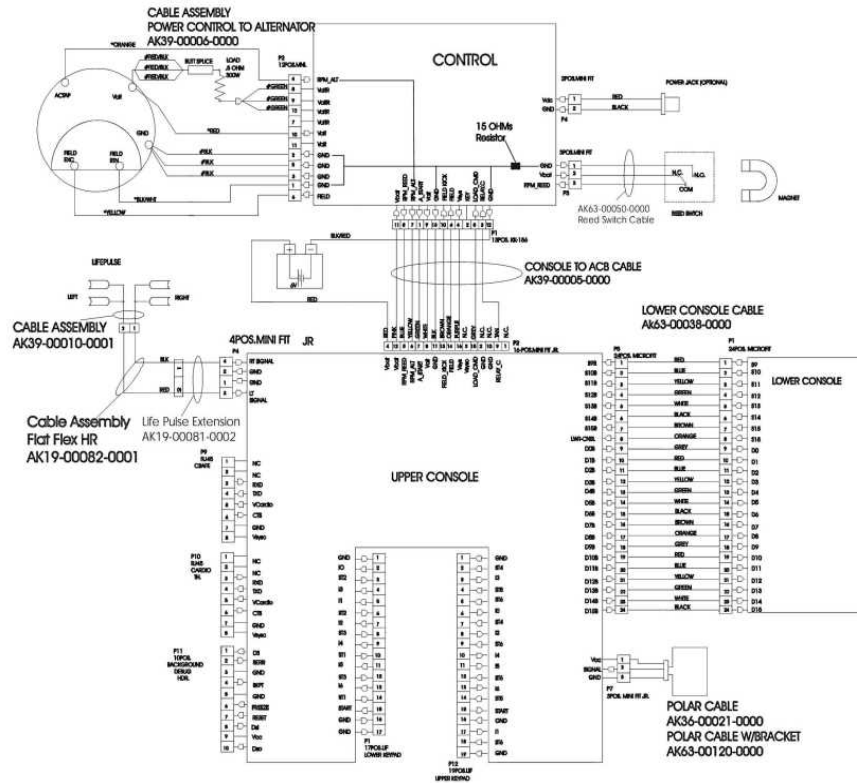
Ref #	Part Number	Qty	Description
-	OK61-01027-0000	1	Flywheel: 6.75" D
-	0017-00103-0117	1	Hardware: Locking Nut 1/2" ID
-	0017-00101-0956	1	Hardware: Bolt 2"
-	0017-00104-0044	2	Hardware: Washer 0.75" OD
-	0017-00009-0841	1	Alternator
-	AK63-00093-0000	1	Alternator w/Pulley

## Belts and 6V Battery



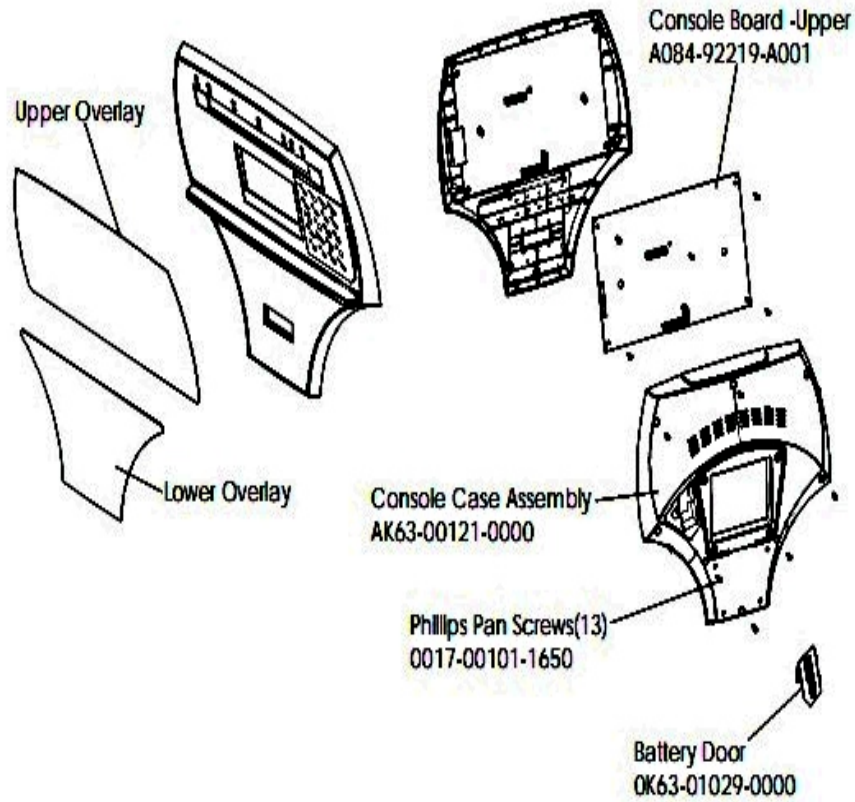
Ref #	Part Number	Qty	Description
-	GK63-00002-0079	1	Kit: Upright/Rec Belt And Pulley
-	0017-00101-0975	2	Hardware: Mounting Bolt 0.375"
-	0017-00101-1193	2	Hardware: Screw 0.375"
-	OK51-01036-0000	1	Battery Bracket
-	0017-00009-1324	1	Belt: Poly-V; 49.00 IN
-	0017-00003-0685	1	6V Battery

### Cable - Block Assembly



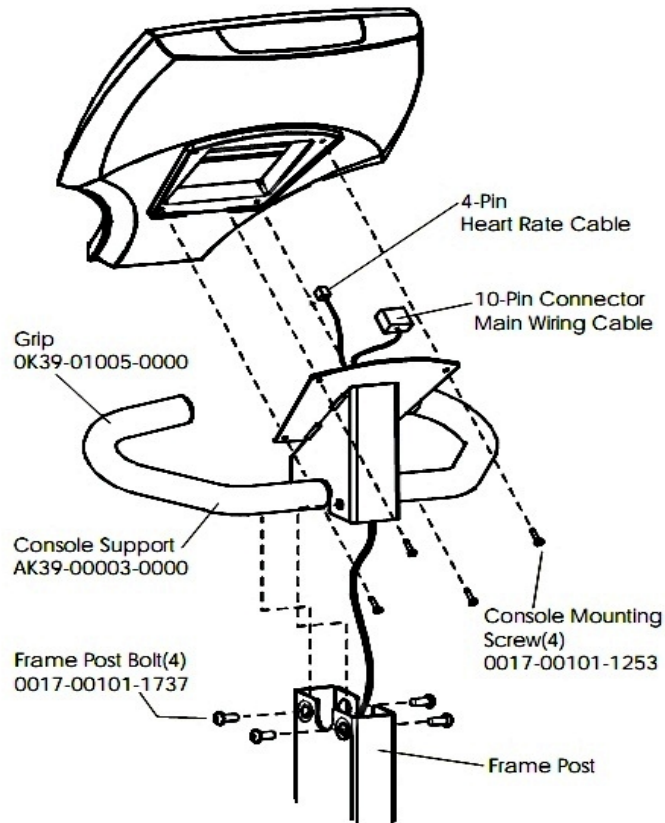
Ref #	Part Number	Qty	Description
-	AK39-00005-0000	1	Console to ACB Cable
-	AK63-00038-0000	1	Lower Console Cable
-	AK39-00006-0000	1	Power Cable
-	AK63-00120-0000	1	Polar Cable with Bracket
-	AK39-00010-0000	1	Cable Assembly: 2-sensor Handlebar
-	AK63-00050-0000	1	Reed Switch Bracket Assembly
-	AK36-00021-0000	1	Polar Cable
-	AK19-00081-0002	1	Life Pulse Extension
-	AK19-00082-0001	1	Flat Flex Cable

## Console Overlay Bezel Assembly



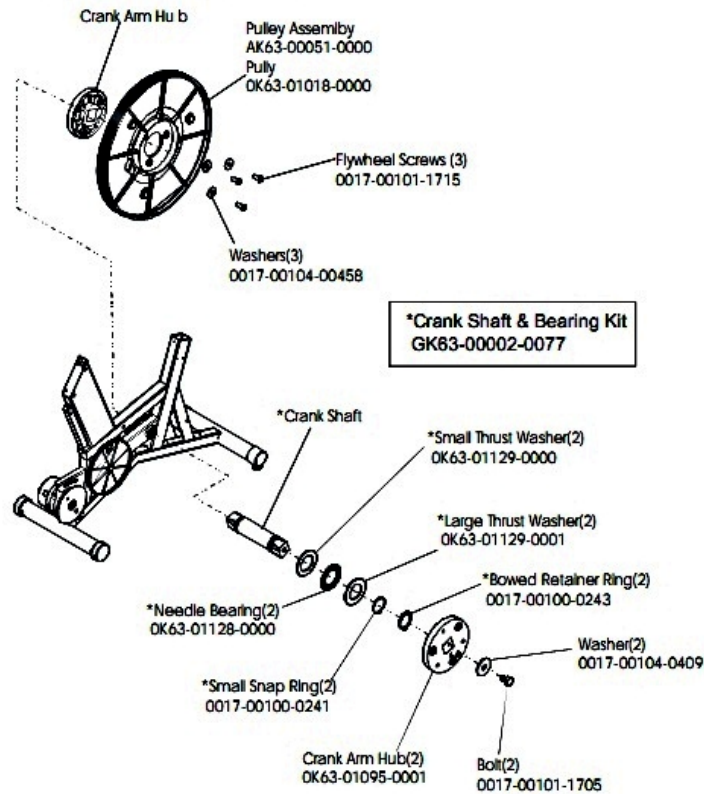
Ref #	Part Number	Qty	Description
-	AK63-00063-0001	1	Overlay Bezel English Metric
-	OK63-01029-0000	1	Battery Door
-	AK39-00056-0001	1	Console Assembly English Metric
-	A084-92219-A001	1	Console Board - Upper
-	OK63-01098-0001	1	Lower Overlay English Metric
-	AK63-00121-0000	1	Console Case Assembly
-	0017-00101-1650	13	Hardware: Phillips Pan Screw 0.375"
-	OK63-01096-0001	1	Upper Overlay English Metric

## Console Support Assembly



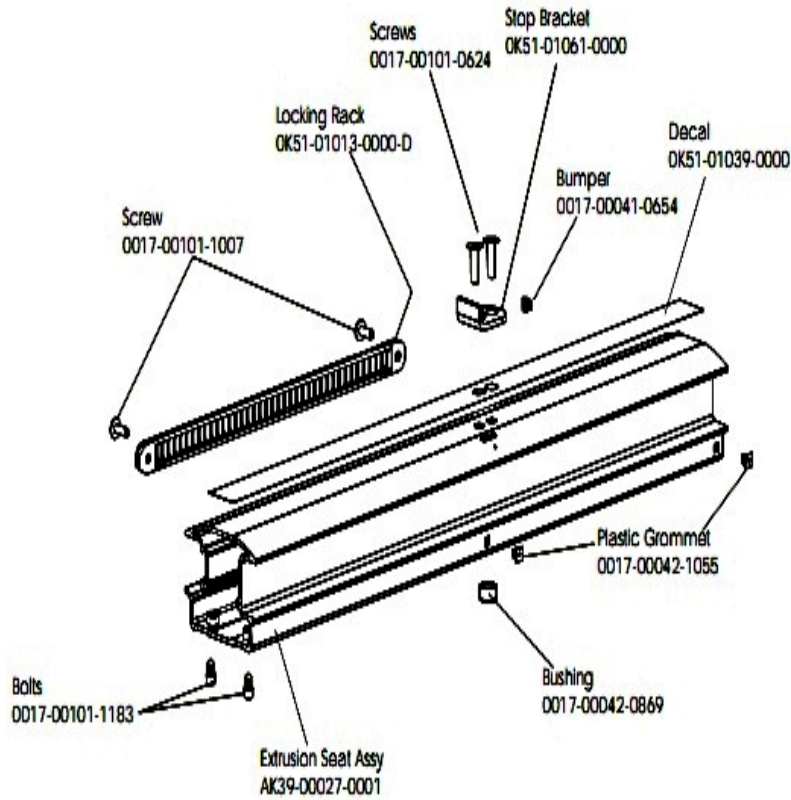
Ref #	Part Number	Qty	Description
-	OK39-01005-0000	2	Grip
-	0017-00101-1253	4	Hardware: Screw
-	0017-00101-1737	4	Hardware: Frame Post Bolt
-	AK39-00003-0000	1	Console Support

# Crankshaft and Bearing Assembly



Ref #	Part Number	Qty	Description
-	0017-00104-0409	2	Hardware: Washer 1.125" OD
-	0017-00100-0243	2	Hardware: Bowed Retaining Ring .984"
-	GK63-00002-0077	1	Crankshaft and Bearing Kit
-	OK63-01129-0001	2	Hardware: Large Thrust Washer
-	0017-00101-1705	2	Hardware: Bolt 0.5"
-	OK63-01128-0000	2	Needle Bearing
-	0017-00100-0241	2	Hardware: Small Snap Ring .984"
-	OK63-01095-0001	2	Crank Arm Hub
-	0017-00101-1715	3	Hardware: TORX Cap Screw 0.625"
-	OK63-01018-0000	1	Crank Pulley
-	AK63-00051-0000	1	Pulley Assembly
-	OK63-01129-0000	2	Hardware: Small Thrust Washer
-	0017-00104-0458	3	Hardware: Flat Washer 0.75" OD

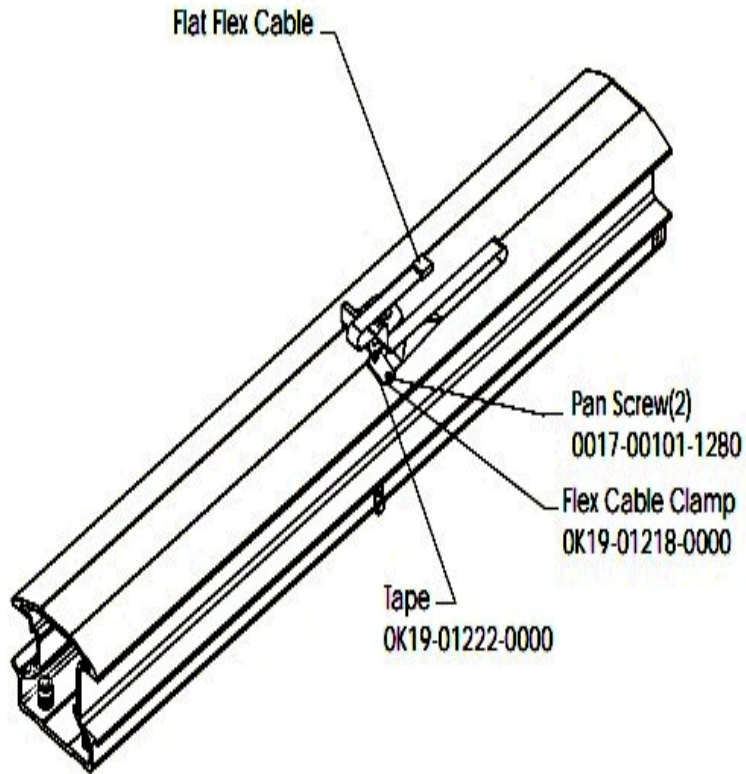
## Extrusion Assembly



Ref #	Part Number	Qty	Description
-	0017-00041-0654	1	Bumper
-	0017-00101-1007	2	Hardware: Screw
-	0017-00101-1624	1	Hardware: Screw
-	OK51-01013-0000	1	Locking Rack
-	0017-00101-1183	2	Hardware: Bolt 0.75"
-	0017-00042-0869	1	Bushing
-	AK39-00027-0001	1	Extrusion Seat Assembly
-	0017-00042-1055	2	Hardware: Plastic Grommet
-	OK51-01061-0000	1	Front Stop Bracket
-	OK51-01039-0000	1	Decal

## Flat Cable Assembly

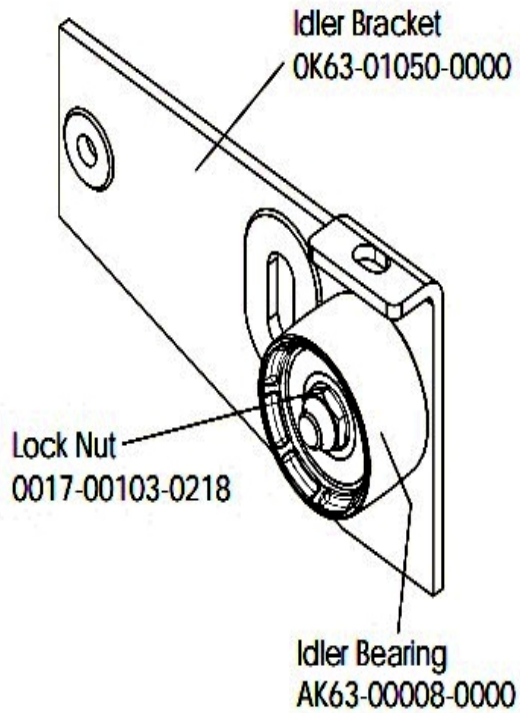
---



Ref #	Part Number	Qty	Description
-	0017-00101-1280	2	Hardware: Pan Screw
-	0K19-01222-0000	1	Double-sided Foam Tape
-	0K19-01218-0000	1	Flex Cable Clamp

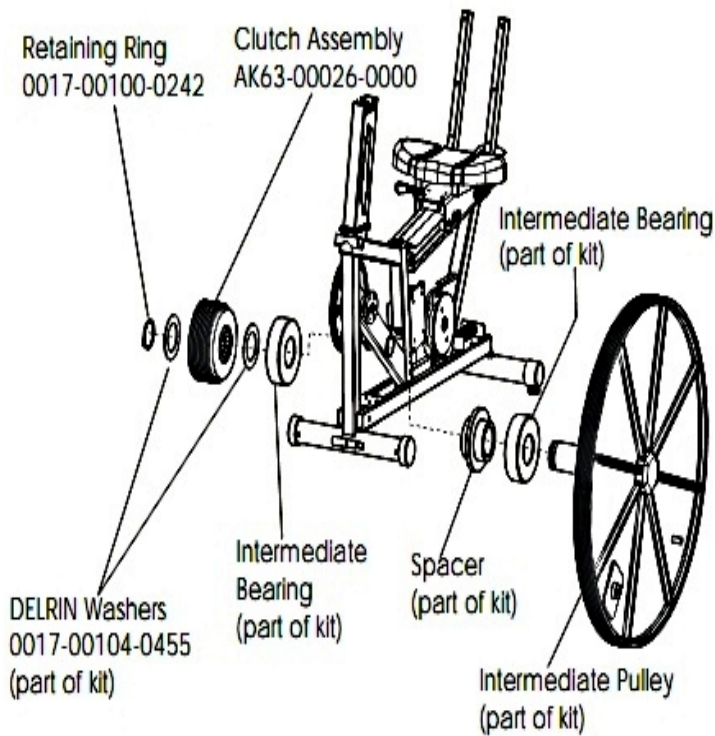
## Idler Bracket Assembly

---



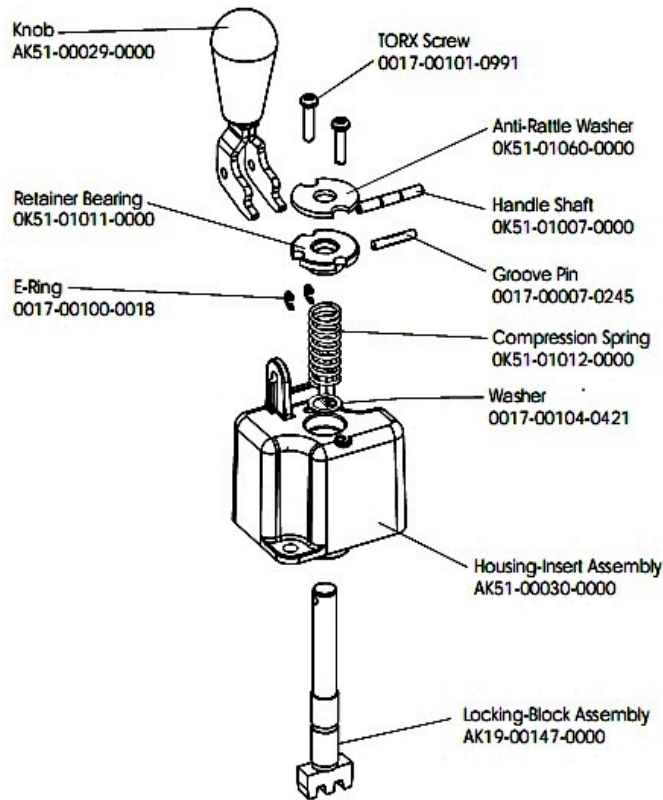
Ref #	Part Number	Qty	Description
-	AK63-00008-0000	1	Idler w/Bearing
-	OK63-01050-0000	1	Idler Bracket
-	AK63-00021-0000	1	Idler Bracket Assembly
-	0017-00103-0218	1	Hardware: Lock Nut 3/8" ID

## Intermediate Shaft and Bearing Assembly



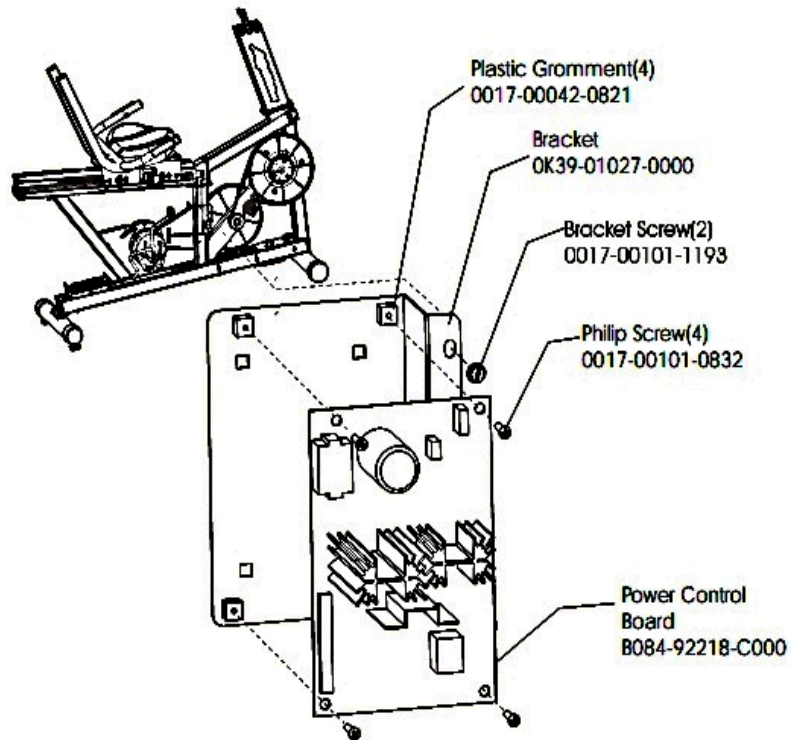
Ref #	Part Number	Qty	Description
-	GK63-00002-0007	1	Intermediate Shaft and Bearing Assembly
-	0017-00100-0242	1	Hardware: Retaining Ring .781"
-	0017-00104-0455	2	Hardware: Delrin Washer 1.250" OD
-	GK63-00002-0079	1	Kit: Upright/Rec Belt And Pulley

## Locking Assembly



Ref #	Part Number	Qty	Description
-	0017-00007-0245	1	Hardware: Groove Pin 5/32" D 1.75" L
-	AK19-00147-0000	1	Locking-Block Assembly
-	AK51-00030-0000	1	Housing-Insert Assembly
-	OK51-01011-0000	1	Hardware: Retainer Bearing
-	0017-00100-0018	2	Hardware: E-Ring .188"
-	0017-00104-0421	1	Hardware: Flat Washer 0.64" OD
-	AK51-00029-0000	1	Knob
-	SK51-00053-0000	1	Lock Assembly
-	0017-00101-0991	2	Hardware: Phillips Pan Screw 0.75"
-	OK51-01007-0000	1	Handle Shaft
-	OK51-01012-0000	1	Compression Spring
-	OK51-01060-0000	1	Anti-Rattle Washer

## Power Control Board



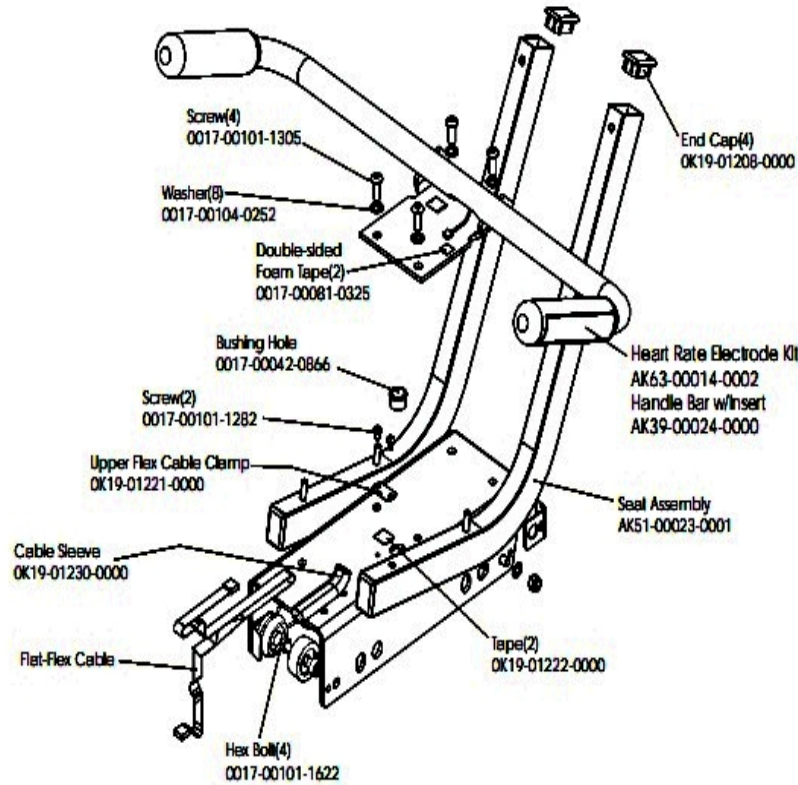
Ref #	Part Number	Qty	Description
-	0017-00042-0821	4	Hardware: Plastic Grommet
-	0017-00101-0832	4	Hardware: Mounting Bolt. 1"
-	AK39-00022-0001	1	PCB Assembly
-	GK61-00002-0045	1	Power Control Board
-	0K39-01027-0000	1	PCB Bracket

## Resistor Assembly

---

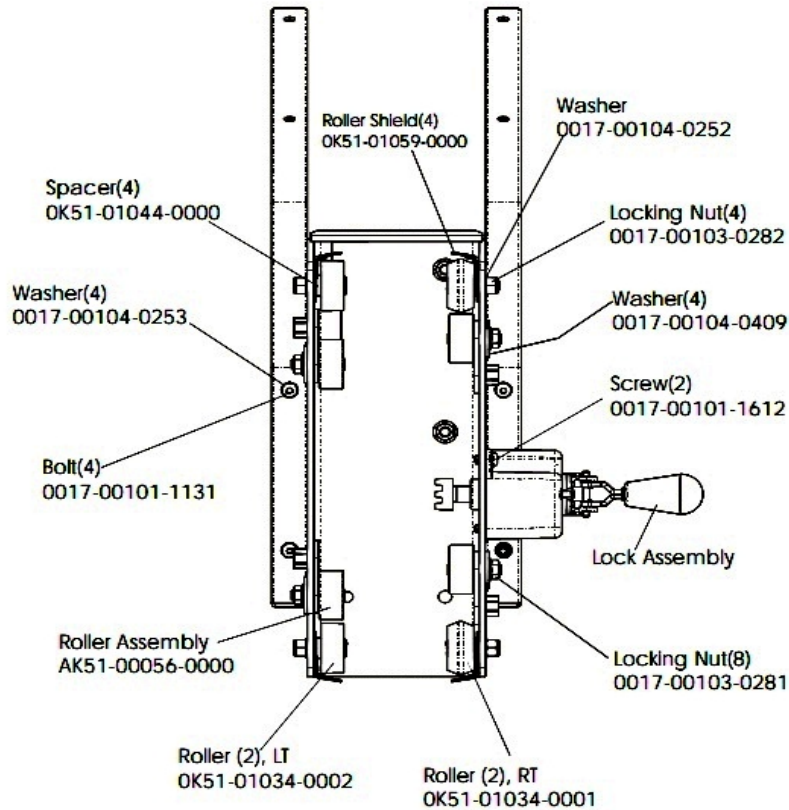
Ref #	Part Number	Qty	Description
-	0017-00103-0081	3	Hardware: Hex Nut ID
-	100E-00002-0092	1	Resistor .5 OHM 240 Watt
-	0017-00101-1282	2	Hardware: TORX Screw 0.375"
-	0K39-01036-0000	1	Resistor Bracket
-	0K63-01166-0000	1	Resistor Mounting Rod
-	0K39-01043-0000	1	Resistor Retainer
-	0017-00104-0309	2	Hardware: Washer 1.12" OD

**Seat Assembly**



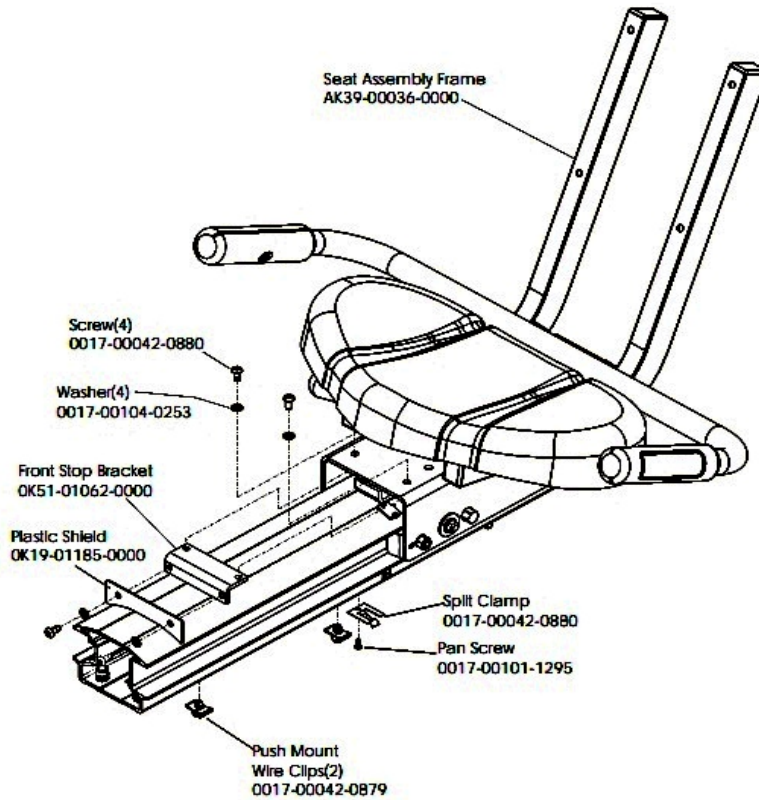
Ref #	Part Number	Qty	Description
-	OK19-01230-0000	1	Cable Sleeve
-	0017-00042-0866	1	Hardware: Hole Bushing - 3/4"
-	0017-00081-0325	2	Double-sided Foam Tape
-	OK19-01222-0000	2	Double-sided Foam Tape
-	OK19-01208-0000	4	End Cap
-	0017-00101-1622	4	Hardware: Hex Bolt
-	AK63-00014-0002	1	ELECTRODE-INSERT ASSY: RED; PURCH S/C-D
-	OK19-01221-0000	1	Hardware: Upper Flex Cable Clamp
-	0017-00104-0252	8	Hardware: Washer
-	AK51-00023-0001	1	Seat Assembly
-	0017-00101-1305	4	Hardware: Screw
-	0017-00101-1282	2	Hardware: TORX Screw 0.375"
-	AK39-00024-0000	1	Handlebar with Insert

## Seat Assembly - Bottom



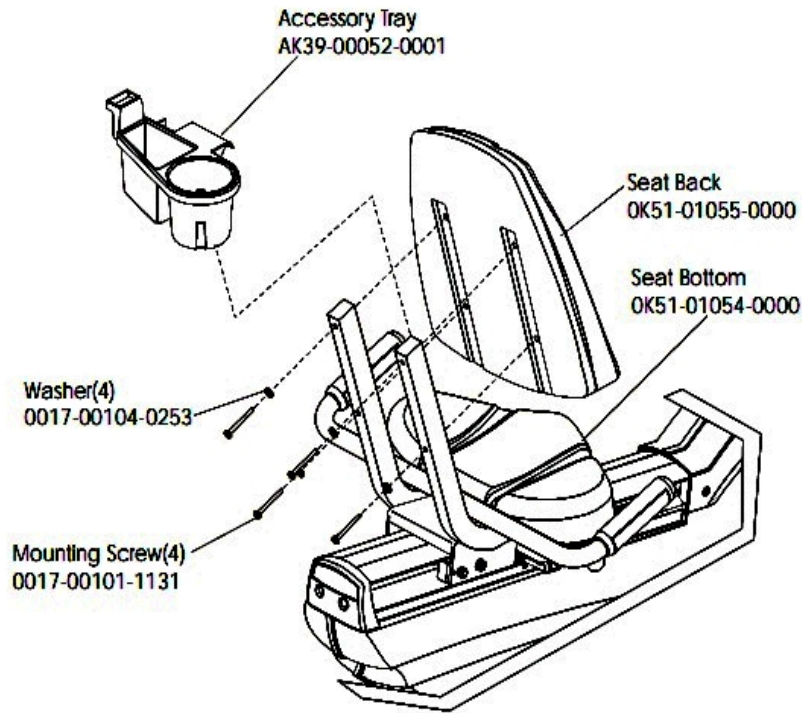
Ref #	Part Number	Qty	Description
-	AK51-00056-0000	1	Roller Assembly
-	0017-00101-1131	4	Hardware: Bolt
-	0017-00101-1612	2	Hardware: Phillips Screw 0.5"
-	0017-00104-0253	4	Hardware: Washer
-	OK51-01059-0000	4	Roller Guard
-	OK51-01044-0000	4	Roller Spacer
-	0017-00104-0409	4	Hardware: Washer 1.125" OD
-	0017-00104-0252	1	Hardware: Washer
-	OK51-01034-0001	2	Seat Roller: Right
-	0017-00103-0281	8	Hardware: Locking Nut
-	0017-00103-0282	4	Hardware: Locking Nut 5/16" ID
-	OK51-01034-0002	2	Seat Roller: Left

## Seat Frame Assembly



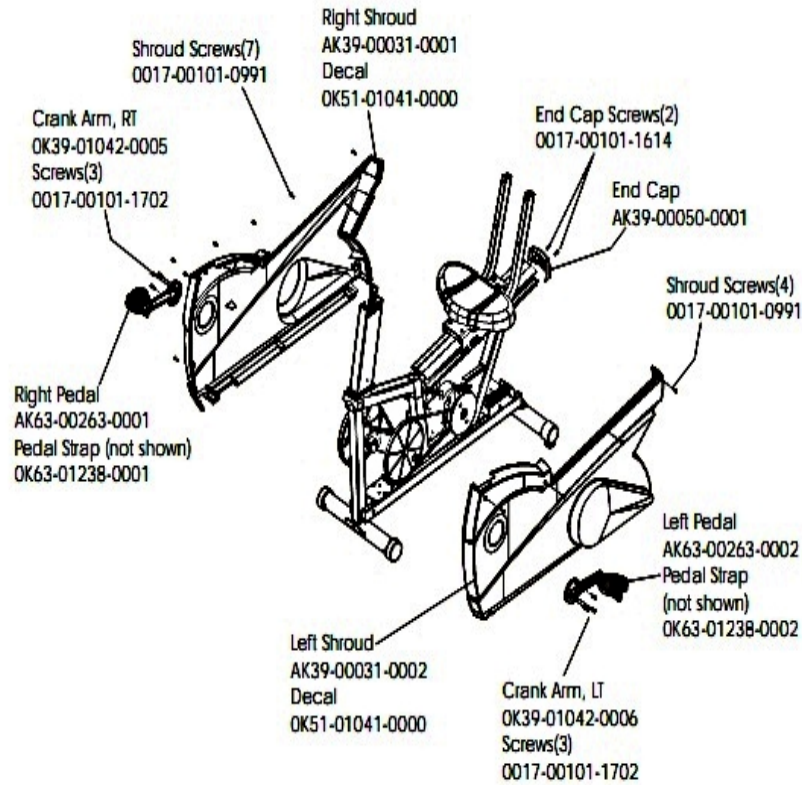
Ref #	Part Number	Qty	Description
-	0017-00104-0253	4	Hardware: Washer
-	OK19-01185-0000	1	Plastic Shield
-	AK39-00036-0000	1	Seat Assembly Frame
-	OK51-01062-0000	1	Front Stop Bracket
-	0017-00042-0879	2	Hardware: Push Mount Wire Clip
-	0017-00042-0880	5	Hardware: Split Clamp
-	0017-00101-1295	1	Hardware: Pan Screw 0.375"

## Seat Pads and Accessory Tray



Ref #	Part Number	Qty	Description
-	OK51-01055-0000	1	Seat Back
-	OK51-01054-0000	1	Seat Bottom
-	0017-00101-1131	4	Hardware: Bolt
-	AK39-00052-0001	1	Accessory Tray
-	0017-00104-0253	4	Hardware: Washer

## Shrouds, End Caps and Pedals



Ref #	Part Number	Qty	Description
-	AK39-00031-0002	1	Shroud with Decal - Left
-	AK63-00263-0001	1	Right Pedal
-	AK39-00050-0001	1	End Cap
-	OK63-01238-0001	1	Right Pedal Strap
-	0017-00101-1614	2	Hardware: Screw 0.625"
-	OK63-01238-0002	1	Left Pedal Strap
-	0017-00101-1702	6	Hardware: Screw
-	AK39-00031-0001	1	Shroud with Decal - Right
-	OK39-01042-0006	1	Crank Arm Left
-	AK63-00263-0002	1	Left Pedal
-	OK51-01041-0000	2	Decal
-	OK39-01042-0005	1	Crank Arm Right
-	0017-00101-0991	11	Hardware: Phillips Pan Screw 0.75"

## Wheel and Leveler

---

Ref #	Part Number	Qty	Description
-	0017-00009-0795	2	Leg Leveler
-	0K63-01041-0000	2	Hardware: Flat Washer
-	AK61-00035-0000	2	Leg Leveler
-	0017-00101-1611	6	Hardware: Insert Screw
-	0K63-01039-0000	2	Wheel Insert
-	AK63-00016-0000	2	Wheel/Bearing Assembly
-	0017-00103-0273	2	Hardware: Hex Nut 3/8" ID
-	GK39-00002-0010	1	Rear Stabilizer
-	0K63-01147-0000	2	Decal

