

LC-9500RHR Recumbent Exercise Bike

LC95R-0101-26

Parts Manual

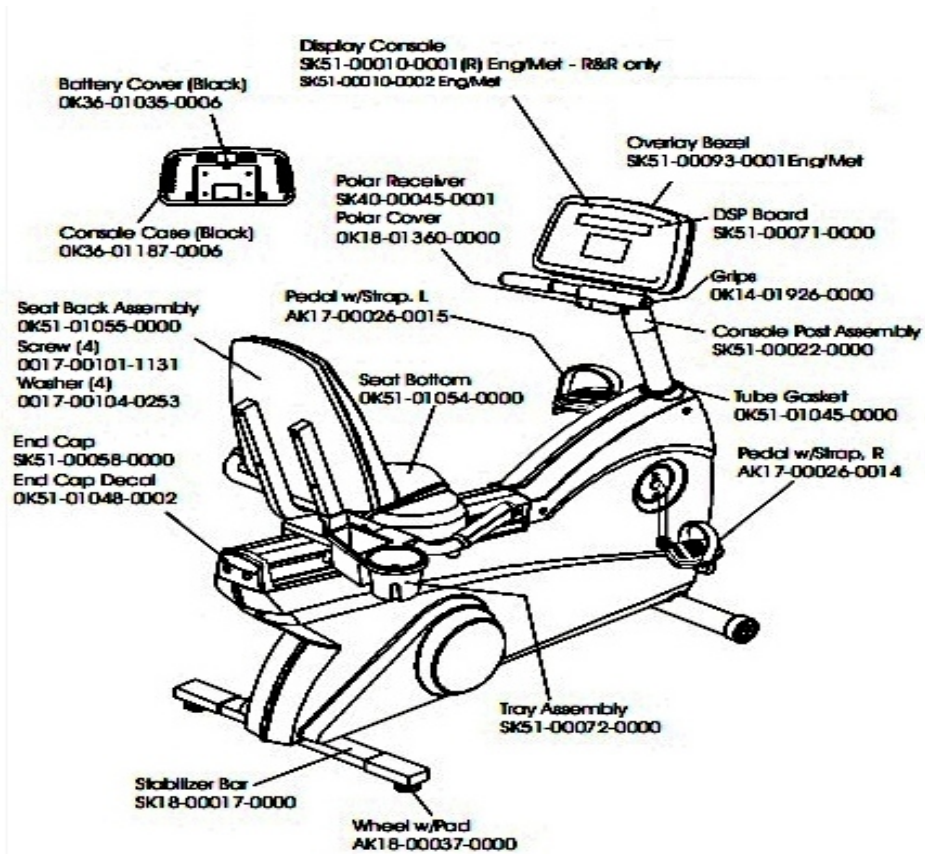
1/5/2019 14:55:35 PM



Table of Contents

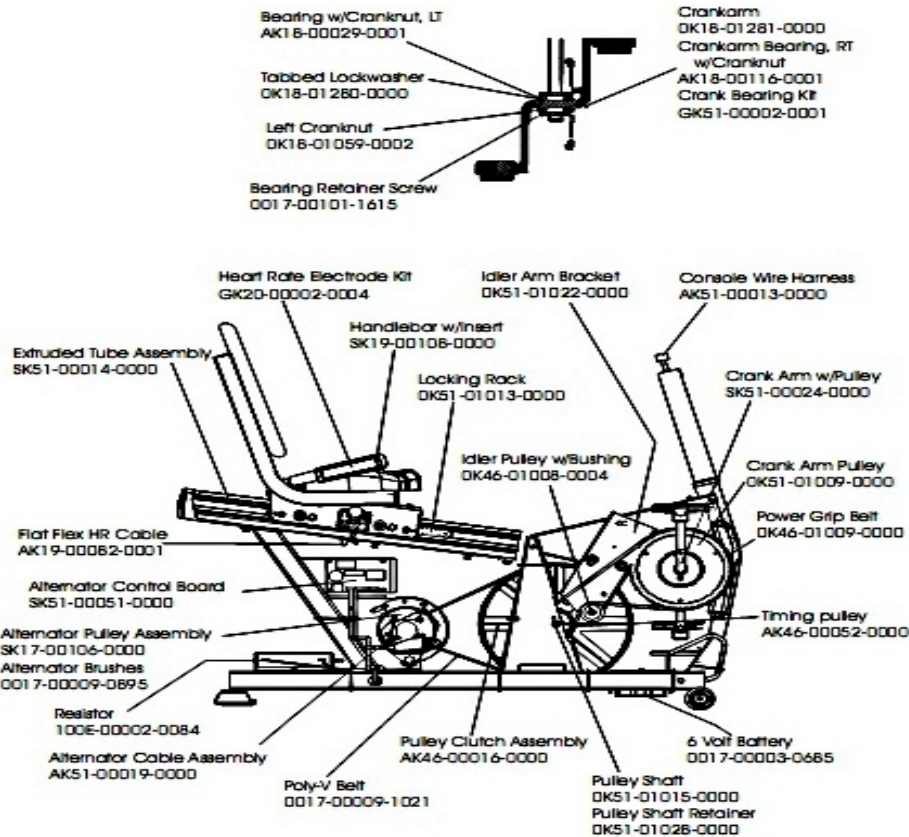
| | |
|--|---|
| Component Assembly 1 | 3 |
| Component Assembly 2 | 4 |
| Component Assembly 3 | 6 |

Component Assembly 1



| Ref # | Part Number | Qty | Description |
|-------|-----------------|-----|--------------------------------|
| - | 0017-00101-1131 | 4 | Hardware: Bolt |
| - | SK51-00072-0000 | 1 | Tray Assembly |
| - | SK40-00045-0001 | 1 | Polar HR Kit |
| - | SK51-00093-0001 | 1 | Overlay Bezel English/Metric |
| - | AK17-00026-0014 | 1 | Pedal with Strap (Right) |
| - | AK17-00026-0015 | 1 | Pedal with Strap (Left) |
| - | OK18-01360-0000 | 1 | Plastic Cover |
| - | SK18-00017-0000 | 1 | Stabilizer Bar |
| - | OK36-01187-0006 | 1 | Console Case |
| - | OK51-01055-0000 | 1 | Seat Back |
| - | 0017-00104-0253 | 4 | Hardware: Washer |
| - | OK14-01926-0000 | 2 | Foam Grip |
| - | OK36-01035-0006 | 1 | Battery Cover |
| - | SK51-00022-0000 | 1 | Console Post Assembly |
| - | OK51-01048-0002 | 1 | End Cap Decal |
| - | OK51-01054-0000 | 1 | Seat Bottom |
| - | AK18-00037-0000 | 2 | Wheel with Patch |
| - | AK51-00087-0001 | 1 | Display Console English/Metric |
| - | SK51-00058-0000 | 1 | End Cap |
| - | SK51-00071-0000 | 1 | DSP Board |
| - | OK51-01045-0000 | 1 | Tube Gasket |

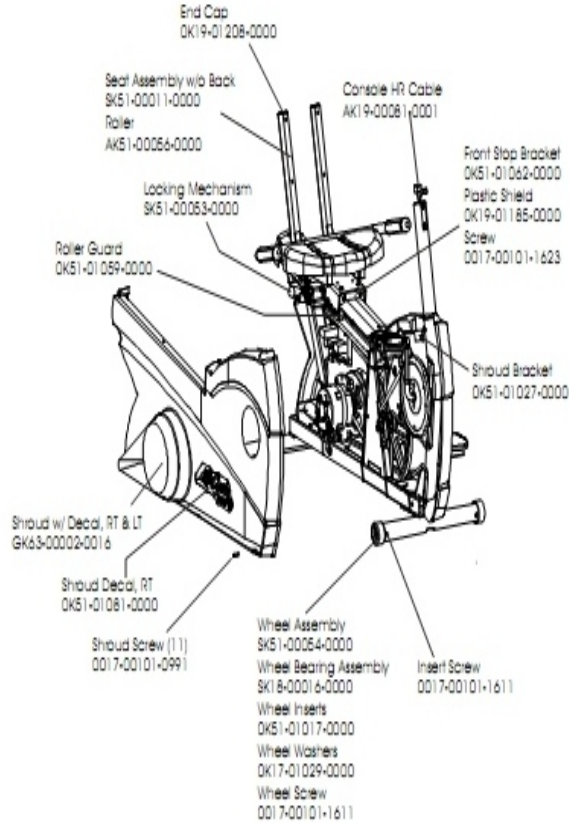
Component Assembly 2



| Ref # | Part Number | Qty | Description |
|-------|-----------------|-----|-------------------------------|
| - | OK18-01280-0000 | 1 | Hardware: Tabbed Lock Washer |
| - | OK46-01009-0000 | 1 | Power Grip Belt |
| - | OK51-01013-0000 | 1 | Locking Rack |
| - | AK51-00013-0000 | 1 | Console Cable |
| - | GK20-00002-0004 | 1 | Heart Rate Electrode Kit |
| - | SK19-00108-0000 | 1 | Handle Bar with Insert |
| - | AK19-00082-0001 | 1 | Flat Flex Cable |
| - | 0017-00003-0685 | 1 | 6V Battery |
| - | 0017-00009-1021 | 1 | Poly V -Belt |
| - | AK18-00116-0001 | 1 | Hardware: Bearing Nut - Right |
| - | AK46-00052-0000 | 1 | Cog Pulley |
| - | GK51-00002-0001 | 1 | Bearing Kit |
| - | AK46-00016-0000 | 1 | Freewheel Pulley Assembly |
| - | OK51-01028-0000 | 1 | Pulley Shaft Retainer |
| - | AK18-00029-0001 | 1 | Hardware: Bearing Nut - Left |
| - | AK51-00019-0000 | 1 | Alternator Cable |
| - | SK17-00106-0000 | 1 | Alternator Pulley Assembly |
| - | OK18-01281-0000 | 1 | Crankarm |
| - | OK46-01008-0004 | 1 | Idler Pulley with Bushing |
| - | OK51-01009-0000 | 1 | Crank Arm Pulley |
| - | OK18-01059-0002 | 1 | Hardware: Locknut |
| - | 100E-00002-0084 | 1 | Resistor |

| Ref # | Part Number | Qty | Description |
|--------------|--------------------|------------|----------------------------------|
| - | SK51-00014-0000 | 1 | Extruded Tube Assembly |
| - | SK51-00024-0000 | 1 | Crank Arm with Pulley |
| - | SK51-00051-0000 | 1 | Alternator Control Board |
| - | 0017-00009-0895 | 1 | Alternator Brush Kit |
| - | 0017-00101-1615 | 1 | Hardware: Bearing Retainer Screw |
| - | 0K51-01015-0000 | 1 | Pulley Shaft |
| - | AK51-00089-0001 | 1 | Idler Arm Bracket |

Component Assembly 3



| Ref # | Part Number | Qty | Description |
|-------|-----------------|-----|------------------------------------|
| - | OK51-01017-0000 | 2 | Wheel Insert |
| - | OK51-01059-0000 | 1 | Roller Guard |
| - | OK51-01081-0000 | 1 | Shroud Decal RT |
| - | GK63-00002-0016 | 1 | Shroud with Decal |
| - | SK51-00011-0000 | 1 | Seat Assembly |
| - | AK51-00056-0000 | 1 | Roller Assembly |
| - | OK19-01185-0000 | 1 | Plastic Shield |
| - | OK17-01029-0000 | 2 | Hardware: Washer |
| - | AK19-00081-0001 | 1 | Heart Rate Cable |
| - | SK51-00053-0000 | 1 | Lock Assembly |
| - | SK51-00054-0000 | 2 | Wheel Assembly |
| - | 0017-00101-1611 | 3 | Hardware: Insert Screw |
| - | 0017-00101-1623 | 1 | Hardware: Screw |
| - | OK51-01062-0000 | 1 | Front Stop Bracket |
| - | SK18-00016-0000 | 2 | Wheel Bearing Assembly |
| - | 0017-00101-0991 | 11 | Hardware: Phillips Pan Screw 0.75" |
| - | OK19-01208-0000 | 4 | End Cap |
| - | OK51-01027-0000 | 1 | Shroud Bracket |

